

DATA SHEET

Part No.	AN5832SA
Package Code No.	SSOP032 - P - 0300AP

SEMICONDUCTOR COMPANY
MATSUSHITA ELECTRIC INDUSTRIAL CO., LTD.

Contents

- Features 3
- Applications 3
- Package 3
- Application Circuit 4
- Block Diagram 6
- Pin Descriptions 7
- Absolute Maximum Ratings 8
- Operating Supply Voltage Range 8

AN5832SA

Silicon Monolithic Bipolar IC

■ Features

- Supports both I²C bus and parallel control
- Integrated SIF demodulation
- Fully adjustment - free (when used with SIF input)
2 adjustment points when used with baseband input
- Integrated voice AGC circuit
- Reduced peripheral component count
- Low power consumption (typ. $V_{CC} = 5\text{ V}$, $I_{TOT} = 28\text{ mA}$)
- Near pin to pin compatible with AN5833SA (Japanese TV audio multiplex demodulation IC)

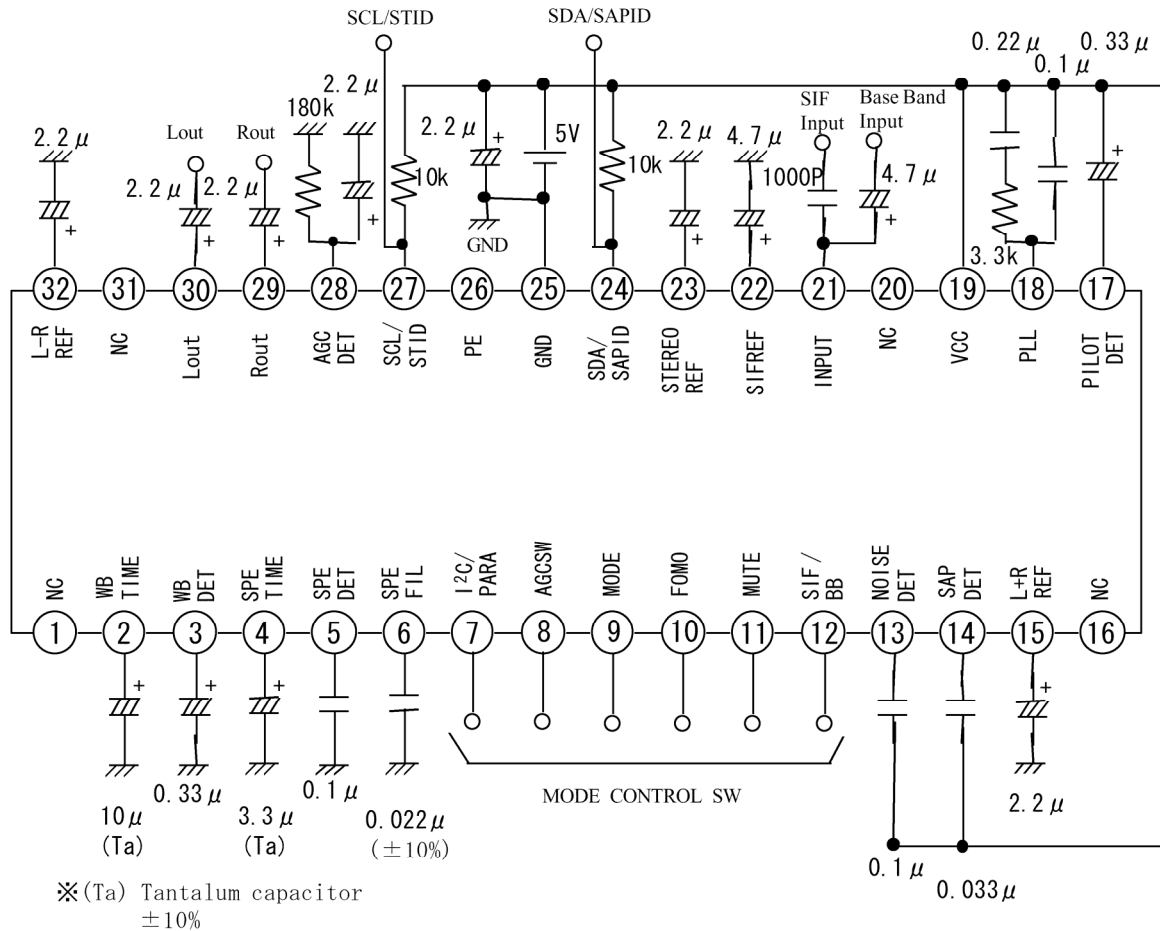
■ Applications

- TV sets, VCRs, DVD recorders, PCs, car navigation systems, and similar products for US market

■ Package

- DIL-32PIN Plastic Package (SO Type)

■ Application Circuit

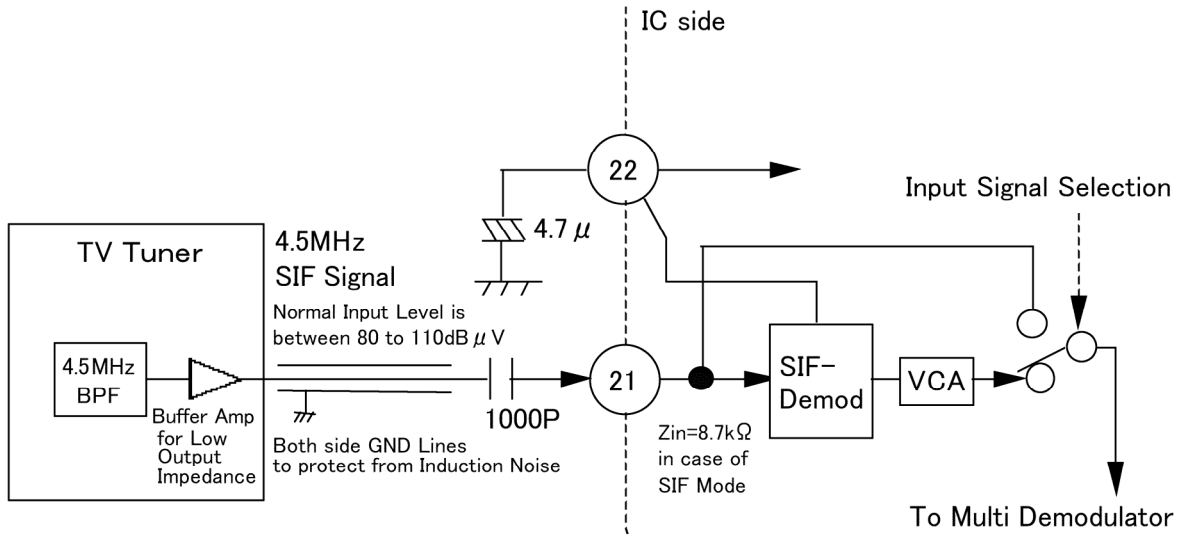


< Instructions of Application Circuits >

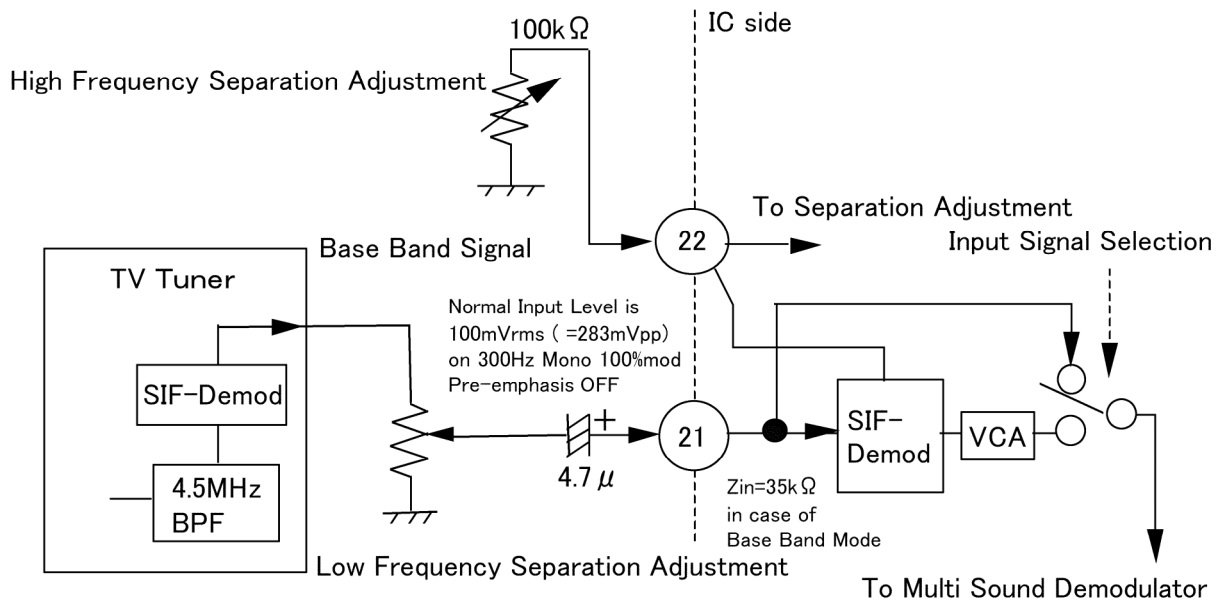
- 1) In case of using base band input, ICs were adjusted to perform good separation when input level is matched with 100 mV[rms] (= 283 mV[p-p]) on condition of mono 100% mod pre-emphasis OFF. However, if good enough separation can't be taken in the cause of un-matching frequency characteristic and so in input signal, it can adjust separation by connecting a volume between #22Pin and GND for adjusting high frequency separation. If it not need adjusting separation, please open #22Pin. If it need adjusting low frequency separation also, please adjust the input level volume for taking best separation on low frequency.
- 2) In case of using SIF input, please set up the SIF input level from tuners between 80 dBµV to 110 dBµV in standard RF input conditions. Please select SIF - BPFs that group delay of 4.5 MHz ±42 kHz is flat as possible.
- 3) In measuring characteristics of separation, please use the stereo modulator that perform good characteristic on dbx encoder and corrected well. In case of using SIF input, please correct FM modulation band to ±25 kHz exactly at mono 100% mod pre-emphasis OFF with the 0 carrier method. And, please use LPFs that reduce 30 kHz signal over 20 dB setting between line-outs and AB level meter

■ Application Circuit (continued)

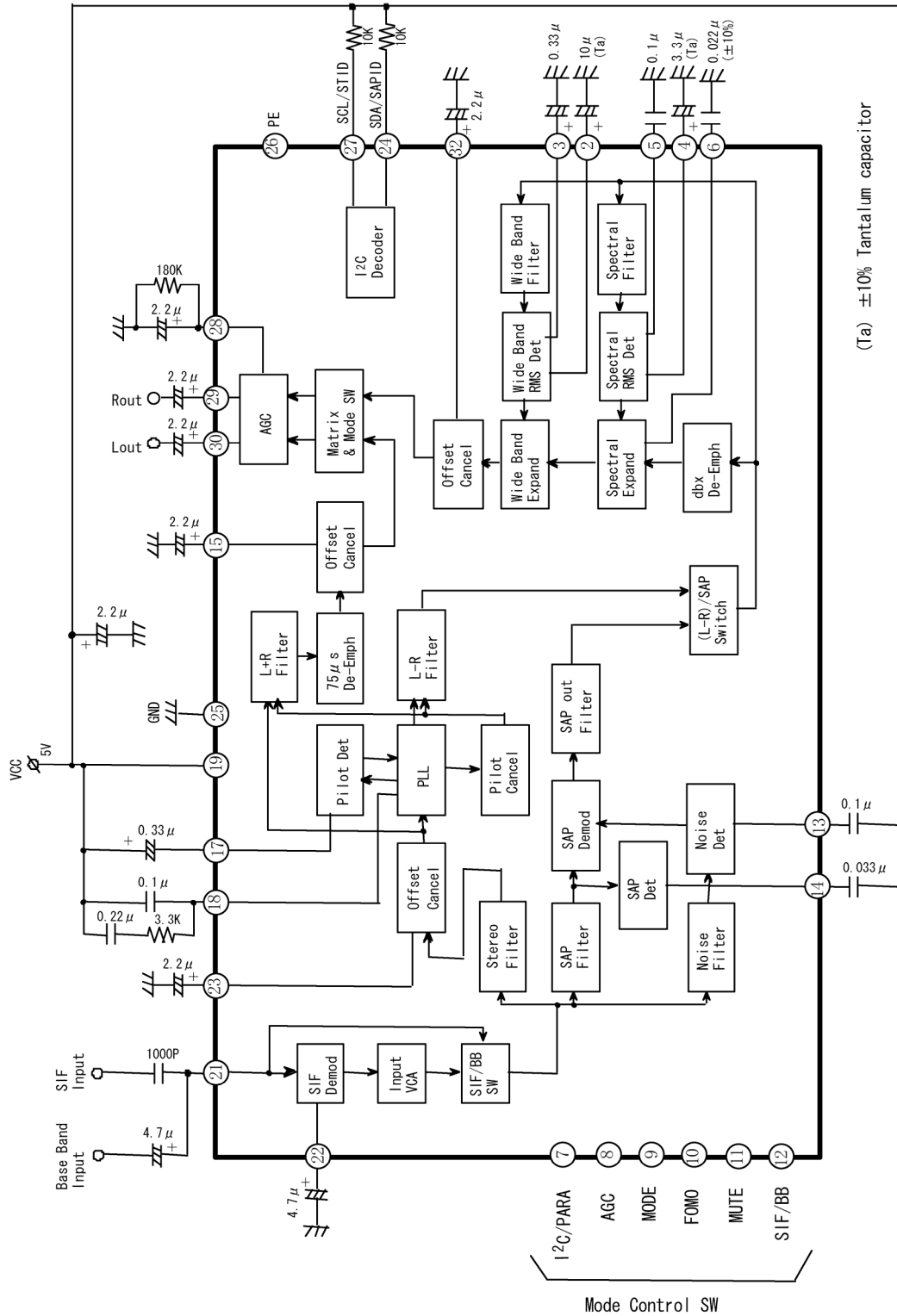
(1) Example of No Adjustments Application Circuits in case of SIF Input



(2) Example of Adjustments Application Circuits in case of Base Band Input



■ Block Diagram



■ Pin Descriptions

Pin No.	Function
1	N. C.
2	Wide band timing
3	Wide band DET
4	Wide band DET
5	Spectral DET
6	Spectral DET
7	I ² C Spectral DET
8	Spectral DET
9	MODE SW
10	Force monaural SW
11	Mute SW
12	SIF / Base band SW
13	SAP Noise DET
14	SAP DET
15	L + R REF
16	N. C.
17	Pilot DET
18	Stereo PLL filter
19	V _{CC}
20	N. C.
21	SIF IN
22	SIF REF
23	STEREO REF
24	SDA / SAPID
25	Ground
26	PE
27	SCL / STID
28	AGC DET
29	Right - channel output
30	Left - channel output
31	N. C.
32	L - R REF

■ Absolute Maximum Ratings

No.	Parameter	Symbol	Rating	Unit	Note
1	Storage temperature	T_{stg}	-55 to +125	°C	*1
2	Operating ambient temperature	T_{opr}	-20 to +85	°C	*1
3	Operating ambient atmospheric pressure	P_{opr}	$1.013 \times 10^5 \pm 0.61 \times 10^5$	Pa	
4	Operating constant gravity	G_{opr}	9 810	m/s ²	
5	Operating shock	S_{opr}	4 900	m/s ²	
6	Supply voltage	V_{CC}	6.0	V	
7	Supply current	I_{CC}	38	mA	
8	Power dissipation	P_D	228	mW	$T_a = 85^\circ\text{C}$

Note) *1 : $T_a = 25^\circ\text{C}$ except storage temperature, and operating ambient temperature.

*2 : To use this products including dbx - TV noise reduction need the license agreement with THAT corporation.

■ Operating Supply Voltage Range

Operating supply voltage range	V_{CC}	4.5 V to 5.5 V
--------------------------------	----------	----------------

Request for your special attention and precautions in using the technical information and semiconductors described in this material

- (1) An export permit needs to be obtained from the competent authorities of the Japanese Government if any of the products or technical information described in this material and controlled under the "Foreign Exchange and Foreign Trade Law" is to be exported or taken out of Japan.
- (2) The technical information described in this material is limited to showing representative characteristics and applied circuits examples of the products. It neither warrants non-infringement of intellectual property right or any other rights owned by our company or a third party, nor grants any license.
- (3) We are not liable for the infringement of rights owned by a third party arising out of the use of the technical information as described in this material.
- (4) The products described in this material are intended to be used for standard applications or general electronic equipment (such as office equipment, communications equipment, measuring instruments and household appliances).
Consult our sales staff in advance for information on the following applications:
 - Special applications (such as for airplanes, aerospace, automobiles, traffic control equipment, combustion equipment, life support systems and safety devices) in which exceptional quality and reliability are required, or if the failure or malfunction of the products may directly jeopardize life or harm the human body.
 - Any applications other than the standard applications intended.
- (5) The products and product specifications described in this material are subject to change without notice for modification and/or improvement. At the final stage of your design, purchasing, or use of the products, therefore, ask for the most up-to-date Product Standards in advance to make sure that the latest specifications satisfy your requirements.
- (6) When designing your equipment, comply with the guaranteed values, in particular those of maximum rating, the range of operating power supply voltage, and heat radiation characteristics. Otherwise, we will not be liable for any defect which may arise later in your equipment.
Even when the products are used within the guaranteed values, take into the consideration of incidence of break down and failure mode, possible to occur to semiconductor products. Measures on the systems such as redundant design, arresting the spread of fire or preventing glitch are recommended in order to prevent physical injury, fire, social damages, for example, by using the products.
- (7) When using products for which damp-proof packing is required, observe the conditions (including shelf life and amount of time let standing of unsealed items) agreed upon when specification sheets are individually exchanged.
- (8) This material may be not reprinted or reproduced whether wholly or partially, without the prior written permission of Matsushita Electric Industrial Co., Ltd.



LittleDiode supplies new, hard to find or obsolete electronic components and semiconductors all over the world.

With over two million different components listed you are sure to find the part you need.

Feel free to visit us today at our online store:

LittleDiode.com

Looking forward to providing you with the best possible service.