

AN8235S

3.5-inch FDD Spindle Motor Controller

Overview

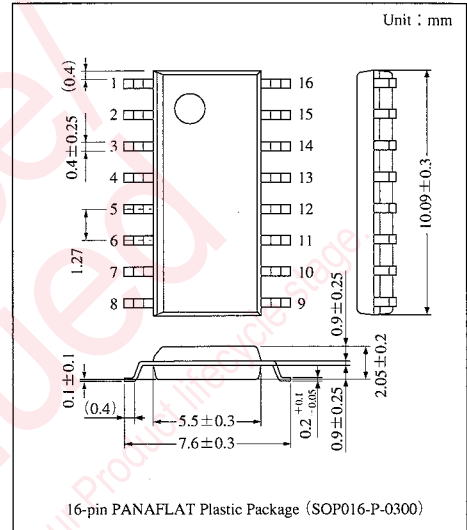
The AN8235S is an IC developed for controlling the 3.5-inch FDDs' belt type spindle motors. Using the digital FG servo system, it can easily realize adjustment-free low drift. It is also available as a DC motor speed control IC.

Features

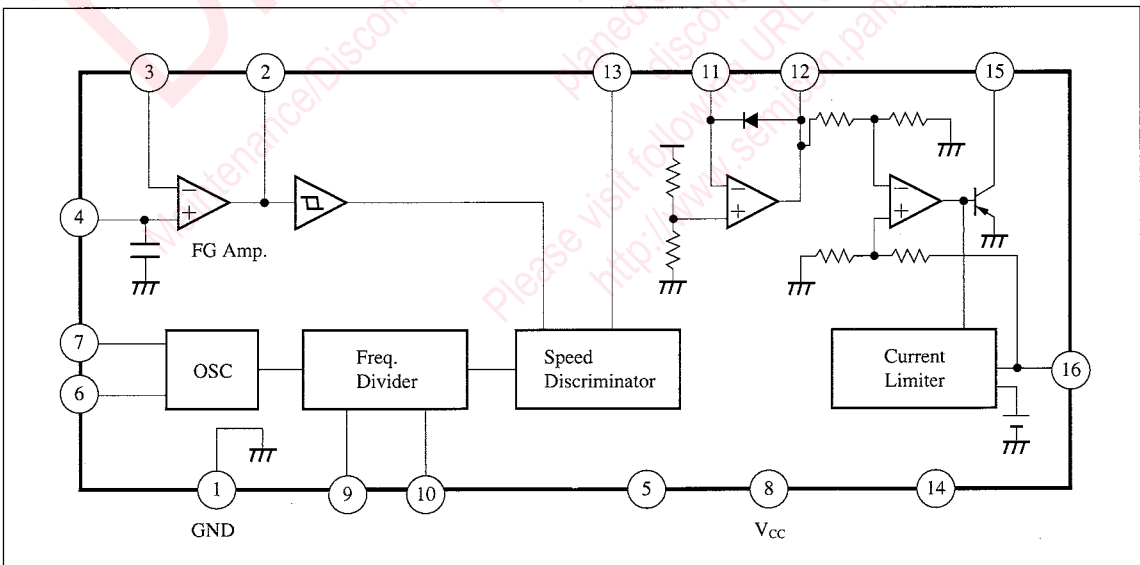
- Operating supply voltage range : $V_{CC}=4.4$ to $6V$
- Digital F/V conversion system
- Current feedback system
- Built-in speed changeover function
 1/1.2 : Correspond to 300/360 r.p.m.
 1/1.2 : Corresponds to 300/600 r.p.m.
- Built-in FG and EA amplifiers
- Built-in protective circuit (current limiter) function

Applications

Control of the FDD spindle motors and DC motors



Block Diagram



ICs for Motor

■ Absolute Maximum Ratings (Ta=25°C)

| Parameter | Symbol | Rating | Unit |
|-------------------------------|------------------|-------------|------|
| Supply voltage | V _{CC} | 7 | V |
| Supply current | I _{CC} | 20 | mA |
| Power dissipation | P _D | 380 | mW |
| Operating ambient temperature | T _{opr} | -20 to +75 | °C |
| Storage temperature | T _{stg} | -55 to +125 | °C |

■ Recommended Operating Range (Ta=25°C)

| Parameter | Symbol | Range |
|--------------------------------|-----------------|------------|
| Operating supply voltage range | V _{CC} | 4.4V to 6V |

■ Electrical Characteristics (Ta=25°C)

| Parameter | Symbol | Condition | min | typ | max | Unit |
|------------------------------|-----------------|---|-----|------|-----|------|
| Quiescent current at standby | I _{QS} | V _{CC} =5V, V _S =4.2V or OPEN | — | 0.01 | 0.5 | mA |
| Quiescent current at no load | I _{QN} | V _{CC} =5V, V _S =0V | 6 | 11 | 18 | mA |

Reference Voltage Block

| | | | | | | |
|-----------------------|------------------------------|--|------|------|------|----|
| Reference voltage | V _{OR} | V _{CC} =5V | 2.15 | 2.4 | 2.65 | V |
| Output sink current | I _{OR} ⁺ | V _{CC} =5V | 0.02 | 0.08 | — | mA |
| Output source current | I _{OR} ⁻ | V _{CC} =5V | — | -1.6 | -0.8 | mA |
| Output impedance | Z _{OR} | V _{CC} =5V, I _{OR} ⁻ =0mA to -0.8mA | — | 110 | 200 | Ω |

FG Amp./Schmidt Block

| | | | | | | |
|-----------------------|------------------------------|---------------------|-----|----|----|----|
| Offset block | V _{OFS} | V _{CC} =5V | -20 | — | 20 | mV |
| Output sink current | I _{OF} ⁺ | V _{CC} =5V | 1 | 3 | — | mA |
| Output source current | I _{OF} ⁻ | V _{CC} =5V | — | -3 | -1 | mA |
| Open loop gain | A _{FGG} | V _{CC} =5V | — | 78 | — | dB |
| Schmidt width | V _S | V _{CC} =5V | — | 50 | — | mV |

Speed Discriminator Block

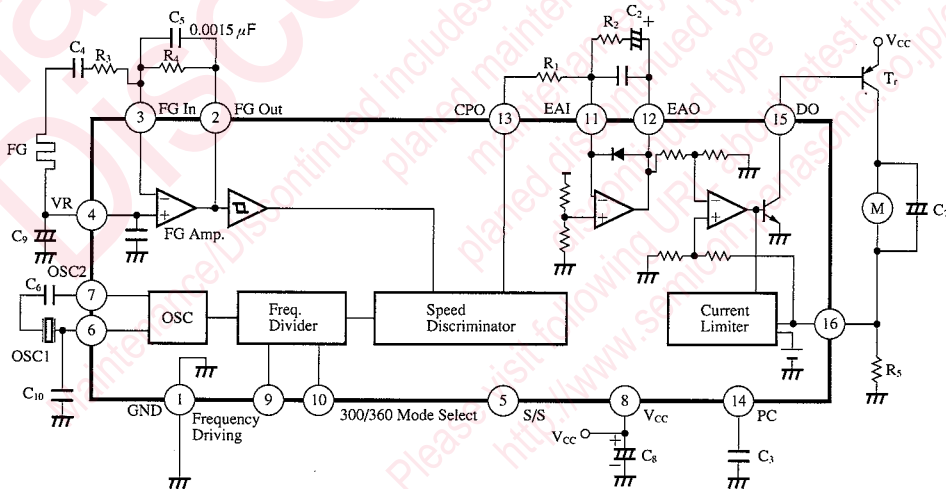
| | | | | | | |
|---------------------------------------|------------------|--|-----|------|-----|-----|
| Discriminator count 1 | N _{CT} | V _{CC} =5V, V _{CT1} =0V, V _{CT2} =0V | — | 1390 | — | — |
| Speed discriminator error 1 | ΔT1 | V _{CC} =5V CLK=100kHz V _{CT1} =0V, V _{CT2} =0V | 6 | 10 | 14 | μs |
| Speed discriminator error 2 | ΔT2 | | 6 | 10 | 14 | μs |
| Max. clock frequency | f _{max} | V _{CC} =5V | 1 | 2.2 | — | MHz |
| 1/1.2 select voltage | V _{CT1} | V _{CC} =5V | 0.8 | — | 2 | V |
| 1/2 frequency-dividing select voltage | V _{CT2} | V _{CC} =5V | 0.8 | — | 2 | V |
| Speed discriminator output H | ΔV _{DH} | V _{CC} =5V | — | 0.1 | 0.3 | V |
| Speed discriminator output L | ΔV _{DL} | V _{CC} =5V | — | 0.1 | 0.3 | V |
| Output sink current | I _{DL} | V _{CC} =5V | 1 | 3 | — | mA |
| Output source current | I _{DH} | V _{CC} =5V | — | -3 | -1 | mA |
| Equivalent count 1 | R _{C1} | V _{CC} =5V, 720rpm, V _{CT1} =LOW, V _{CT2} =LOW | — | 1390 | — | — |
| Equivalent count 2 | R _{C2} | V _{CC} =5V, 600rpm, V _{CT1} =HIGH, V _{CT2} =LOW | — | 1668 | — | — |
| Equivalent count 3 | R _{C3} | V _{CC} =5V, 360rpm, V _{CT1} =LOW, V _{CT2} =HIGH | — | 2780 | — | — |
| Equivalent count 4 | R _{C4} | V _{CC} =5V, 300rpm, V _{CT1} =HIGH, V _{CT2} =HIGH | — | 3336 | — | — |

Note) Equivalent count=CLK ÷ FG frequency (FG frequency when the motor is installed)

■ Electrical Characteristics (Cont.) (Ta=25°C)

| Parameter | Symbol | Condition | min | typ | max | Unit |
|----------------------------------|-------------------|--|-------|------|-------|---------|
| Error Amp. Block | | | | | | |
| Integrating amp. error output 1 | ΔV_{ERO1} | $V_{CC}=5V$ Acceleration mode | 0.3 | 0.7 | 1.1 | V |
| Integrating amp. error output 2 | ΔV_{ERO2} | $V_{CC}=5V$ Acceleration mode | — | — | -0.3 | V |
| Output sink current | I_{OE+} | $V_{CC}=5V$ | 1 | 3 | — | mA |
| Output source current | I_{OE-} | $V_{CC}=5V$ | — | -3 | -1 | mA |
| Open loop gain | A_{EAG} | $V_{CC}=5V$ | — | 73 | — | dB |
| Input bias current | I_{EA} | $V_{CC}=5V$ | — | 20 | — | nA |
| Gain bandwidth product | f_T | $V_{CC}=5V$ | — | 800 | — | kHz |
| Pre-drive Output Block | | | | | | |
| Drive output current | I_{OD} | $V_{CC}=5V$ | 16 | 33 | — | mA |
| Limiter voltage | V_{LC} | $V_{CC}=5V$ | 0.225 | 0.25 | 0.275 | V |
| Drive gain | G_D | $V_{CC}=5V$ | 0.54 | 0.67 | 0.8 | time |
| Start/Stop Control Block | | | | | | |
| Input voltage H (stop) | V_{OSH} | $V_{CC}=5V$ | 4.2 | — | — | V |
| Input voltage L (start) | V_{OSL} | $V_{CC}=5V$ | — | — | 0.8 | V |
| Input current H | I_{OSH} | $V_{CC}=5V$ | -20 | — | 3 | μA |
| Input current L | I_{OSL} | $V_{CC}=5V$ | -500 | -180 | — | μA |
| Oscillation Circuit Block | | | | | | |
| Ceramic oscillation frequency | f_s | $V_{CC}=5V$, Ceramic oscillator : 800kHz | — | 800 | — | kHz |

■ Application Circuit



ICs for Motor

Pin Descriptions

| Pin No. | Pin name | Typical waveform | Description | I/O impedance | Pin equivalent circuit |
|---------|--|------------------|--|---------------|------------------------|
| 1 | Ground (GND) | — DC 0V | Ground pin | — | — |
| 2 | FG amp. inverting output (FG IN) | — | Output pin of the FG amplifier | — | |
| 3 | FG amp. inverting input (FG IN) | — | Inverting input pin of the FG amplifier | — | |
| 4 | FG amp. non-inverting input (Vref) | — DC 2.4V | Reference voltage source of the main circuit | — | |
| 5 | Start/Stop select (S/S) | — | Start/stop selector pin | — | |
| 6 | Oscillation circuit 1 (OSC 1) | — | Oscillation circuit input pin | — | |
| 7 | Oscillation circuit 2 (OSC 2) | — | Oscillation circuit output pin | — | |
| 8 | Power supply | — | Power pin | — | — |

Pin Descriptions (Cont.)

| Pin No. | Pin name | Typical waveform | Description | I/O impedance | Pin equivalent circuit |
|---------|-------------------------------------|------------------|---|---------------|------------------------|
| 9 | 1/2 frequency-dividing select (1/2) | — | 300/600 r.p.m. selector pin | — | |
| 10 | 1/1.2 speed select (1/1.2) | — | 300/360 r.p.m. selector pin | — | |
| 11 | Error amp. inverting input (EAI) | — | Inverting input pin and amplifier output pin of the error amplifier | — | |
| 12 | Error amp. output (EAO) | — | | | |
| 13 | Speed error output (CPO) | | Output pin of the speed discriminator circuit | — | |
| 14 | Phase compensation (PC) | — | Phase compensation pin for current feedback | — | |
| 15 | Predrive (DO) | — | Predrive pin of the external power PNP transistor | — | |
| 16 | Current detection (CS) | — | Current detection pin | — | |

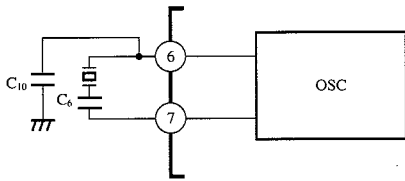
ICs for
Motor

Supplementary Explanation

Application

(1) Reference oscillator block

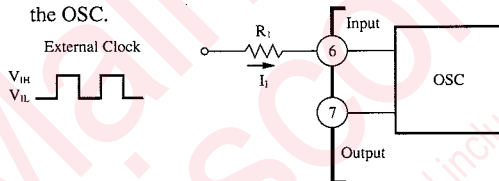
Set the motor speed according to the oscillation frequency of the oscillator block.



- ① Use a ceramic oscillator so that oscillations from 200kHz to 1MHz may be available.
- ② Some pF of capacitance is normally used for the capacitor C₆.
The oscillation frequency can finely adjusted according to a capacitance value.
- ③ The capacitor C₁₀ is a spurious measure for parasitic oscillation.
- ④ When using the external clock

(input an external clock without oscillating the OSC block)

The external clock can be input from the input Pin⑥ of the OSC.



If an excessive input is applied, the OSC block may not function. In this case, connect the current limiting resistor R₁.

The input currents I_{IH} and I_{IL} flowing through the resistor R₁ are expressed as follows.

$$I_{IH} = \frac{V_{IH} - 1.4}{R_1 + R_{OSC}} \quad (\mu A)$$

$$I_{IL} = -\frac{1.4 - V_{IL}}{R_1 + R_{OSC}} \quad (\mu A)$$

(The V_{IH} and V_{IL} threshold levels inside the IC are calculated at 1.4V.)

However, R_{OSC} is an IC internal resistance and designed to be 2kΩ.

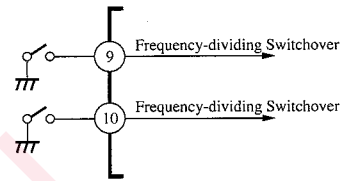
Design at about some 10μF as an IC drive capability.

A recommended R₁ value is 10kΩ.

(conditions of V_{IH}=2.36V, V_{IL}=0.44V, I₁=80μA)

(2) Frequency-dividing selector block

Frequency-dividing can be switched over to “Low” or “High (Open)”, using the Pins⑨ and ⑩.



| Pin⑩ | Pin⑨ | Motor Speed (rpm) | Equivalent Counts |
|-------------|-------------|-------------------|-------------------|
| Low | Low | 720 | 1390 |
| Open (High) | Low | 600 | 1668 |
| Low | Open (High) | 360 | 2780 |
| Open (High) | Open (High) | 300 | 3336 |

The motor speed N is obtained by the following expression.

$$N = 60 \cdot \frac{f_{OSC}}{N_C \cdot Z} \text{ (rpm)}$$

f_{OSC} : Oscillation frequency (Hz)

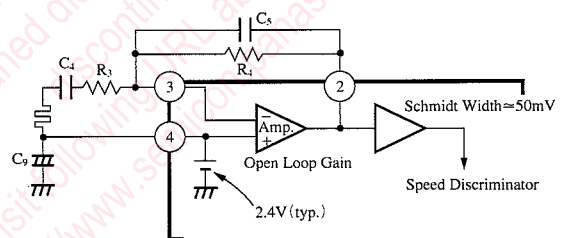
N_C : Equivalent counts $N_C = \frac{f_{OSC}}{f_{FG}}$

Z : No. of the FG teeth

f_{FG} : FG frequency (Hz)

(3) FG amplifier and Schmidt circuit

The motor speed is detected and amplified, and then, a waveform is shaped by the Schmidt circuit.



- ① Use as an inverting amplifier as shown in the figure above.

The closed loop gain G is as follows.

$$G \approx -\frac{R_4}{R_3}$$

Set the gain so that the output swing of the amplifier will be within a range of 1 to 3 V_{P-P}.

The voltage at the Pin④ has been set inside the IC to about 2.4V.

■ Supplementary Explanation (Cont.)

② Elimination of noise components

The high-pass filter is configured with C_4 and R_3 , and the low-pass filter with C_5 and R_4 . Noise components are eliminated by these filters. The cut-off frequencies f_{CH} and f_{CL} are as follows.

$$f_{CH} \approx \frac{1}{2\pi \cdot C_4 \cdot R_3}$$

$$f_{CL} \approx \frac{1}{2\pi \cdot C_5 \cdot R_4}$$

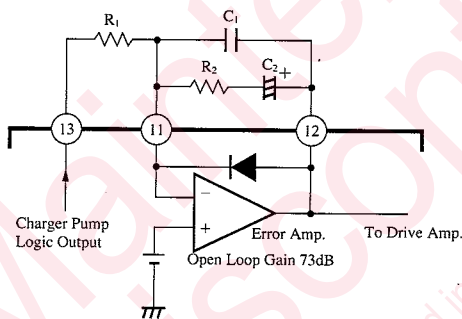
Suppose the FG frequency is f_{FG} , make setting so that the following condition will be satisfied.

$$f_{CH} < f_{FG} < f_{CL}$$

(4) Error Amplifier Block

The error amplifier smoothes and amplifies a speed detection error.

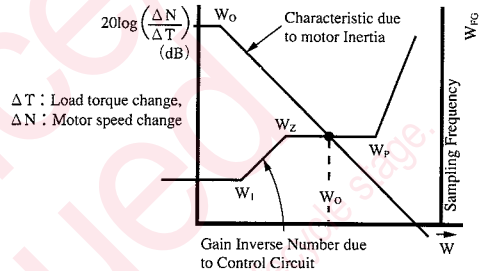
Main characteristics such as control system stability, transient characteristics, etc. are determined in this block.



① Obtaining the constants C and R

The body chart of the control system is shown below. Phase advance/delay compensation is combined by Miller integral in order to improve the characteristics in the low frequency range.

The frequencies at the respective pole and zero points are as follows

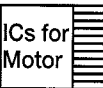


- W_0 : $1/$ (motor's time constant)
- W_1 : $1/$ (Miller integral time constant)
- W_Z : $1/C_2R_2$
- W_P : $1/ (C_1/C_2) R_2$

② An important point to set the constants is to set the frequency W_0 dB at the gain intersection so that the condition of $W_Z < W_0 < W_P$ will be satisfied. This assures stability of the control system.

Normally, set as follows.

$$K_1 = W_P/W_Z = \text{approx. } 10 \quad K_P = W_{FG}/W_0 > 20$$



■ Supplementary Explanation (Cont.)

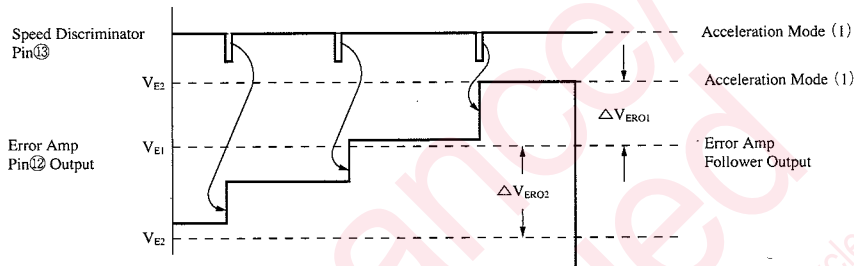
(5) Speed discriminator and error amplifier block

A waveform shaped FG signal and the reference frequency oscillated from the OSC block are compared by the speed discriminator, and a signal is output to the error

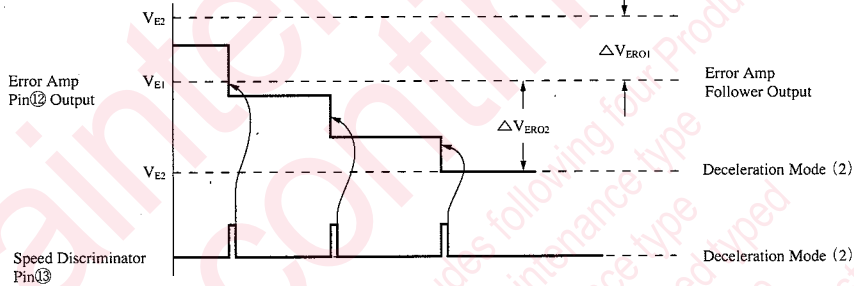
amplifier.

An output change of the error amplifier changes motor drive current and keeps the motor speed constantly.

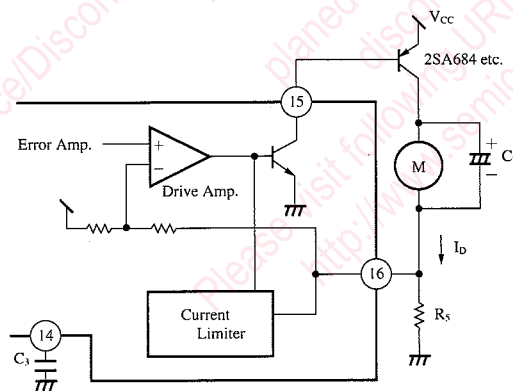
① Operations in the acceleration mode



② Operations in the deceleration mode



(6) Predrive block



■ Supplementary Explanation (Cont.)

Connect the motor drive power PNP transistor to the predrive output Pin⑮. Adjust the wattage of the power PNP transistor to the motor working condition.

The resistor R_5 is used to detect a current flowing to the motor and works as a current limiter. The reference voltage of the current limiter has been designed at $0.25V \pm 10\%$.

The capacitor C_3 is for phase compensation. When

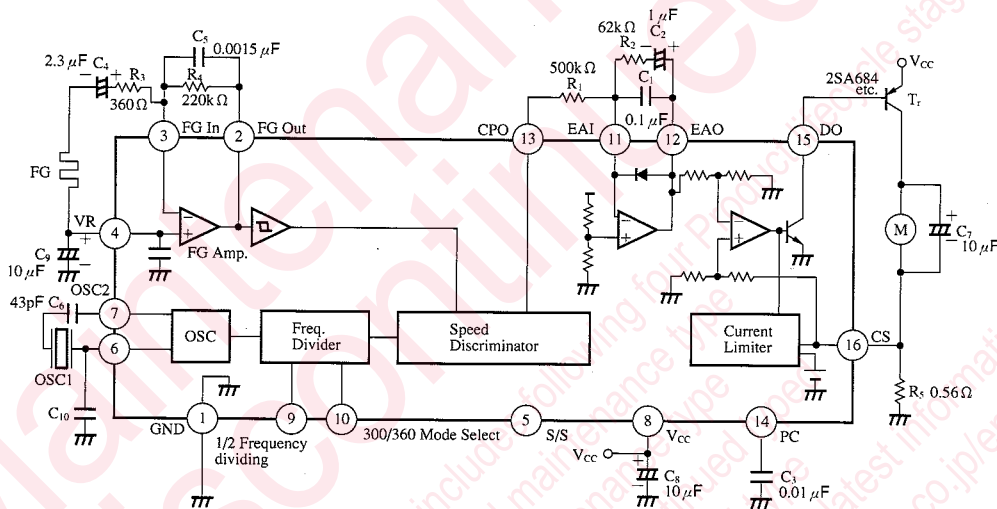
parasitic oscillation may occur depending on a type of motor, connect the capacitor C_7 to prevent parasitic oscillation.

(7) Start/stop

Motor rotation can be started/stopped with the Pin⑤.

The logic level starts at Low and stops at High. At the stop mode, current consumption can be reduced very much to as low as $500 \mu A$ or less.

(8) External parts



| External Part No. | Recommended value | Function |
|-------------------|-----------------------|----------------------------|
| R_1, R_2 | C_1, C_2 Note 1) | Integration constant |
| R_3, R_4 | C_4, C_5 Note 2) | FD amp. filter constant |
| | C_3 Note 3) | Filter constant |
| R_5 Note 4) | 0.56 Ω | Current detection |
| | V_6, C_{10} Note 5) | OSC/AC coupling |
| | C_7 Note 6) | For stabilization |
| | C_8 Note 7) | Power supply noise measure |
| | C_9 Note 8) | For stabilization |

Note 1) For C_1 and C_2 , use the types which are less affected by a leak current. If you use those having a leak current, the motor speed will deviate.
 (Example) When $C_1 = 0.1 \mu F$ and $C_2 = 1 \mu F$ and $R_1 = 20 \Omega$, a leak current of 125nA corresponds to 0.1% rotational deviation.
 Note 2) When setting the closed loop gain of the FG amplifier to about 60dB, use the types less affected by a leak current for C_4, C_5 .
 In this case, note that the leak current will be the DC offset of an output voltage.
 (Example) When $R_1 = 100 \Omega$ and $R_2 = 100k\Omega$, if the leak current of the capacitor is $1 \mu A$, it will be a 100mV offset.

Note 3) It is for phase compensation of the current feedback loop and current limiter loop.
 Note 4) It works as a current limiter when R_5 is not equal to 0.
 Note 5) They are for fine adjustment of the oscillation frequency f_{osc} .
 Use those with low temperature dependency.
 Note 6) When oscillation occurs depending on a type of motor, use this part for prevention of oscillation.
 Note 7) Attach this part when operations become unstable due to noises coming from the power supply.
 Note 8) Attach this part when the FD amplifier output becomes unstable due to noises.



Request for your special attention and precautions in using the technical information and semiconductors described in this book

- (1) If any of the products or technical information described in this book is to be exported or provided to non-residents, the laws and regulations of the exporting country, especially, those with regard to security export control, must be observed.
- (2) The technical information described in this book is intended only to show the main characteristics and application circuit examples of the products. No license is granted in and to any intellectual property right or other right owned by Panasonic Corporation or any other company. Therefore, no responsibility is assumed by our company as to the infringement upon any such right owned by any other company which may arise as a result of the use of technical information described in this book.
- (3) The products described in this book are intended to be used for standard applications or general electronic equipment (such as office equipment, communications equipment, measuring instruments and household appliances).
Consult our sales staff in advance for information on the following applications:
 - Special applications (such as for airplanes, aerospace, automobiles, traffic control equipment, combustion equipment, life support systems and safety devices) in which exceptional quality and reliability are required, or if the failure or malfunction of the products may directly jeopardize life or harm the human body.
 - Any applications other than the standard applications intended.
- (4) The products and product specifications described in this book are subject to change without notice for modification and/or improvement. At the final stage of your design, purchasing, or use of the products, therefore, ask for the most up-to-date Product Standards in advance to make sure that the latest specifications satisfy your requirements.
- (5) When designing your equipment, comply with the range of absolute maximum rating and the guaranteed operating conditions (operating power supply voltage and operating environment etc.). Especially, please be careful not to exceed the range of absolute maximum rating on the transient state, such as power-on, power-off and mode-switching. Otherwise, we will not be liable for any defect which may arise later in your equipment.
 - Even when the products are used within the guaranteed values, take into the consideration of incidence of break down and failure mode, possible to occur to semiconductor products. Measures on the systems such as redundant design, arresting the spread of fire or preventing glitch are recommended in order to prevent physical injury, fire, social damages, for example, by using the products.
- (6) Comply with the instructions for use in order to prevent breakdown and characteristics change due to external factors (ESD, EOS, thermal stress and mechanical stress) at the time of handling, mounting or at customer's process. When using products for which damp-proof packing is required, satisfy the conditions, such as shelf life and the elapsed time since first opening the packages.
- (7) This book may be not reprinted or reproduced whether wholly or partially, without the prior written permission of our company.



LittleDiode supplies new, hard to find or obsolete electronic components and semiconductors all over the world.

With over two million different components listed you are sure to find the part you need.

Feel free to visit us today at our online store:

LittleDiode.com

Looking forward to providing you with the best possible service.