

AN8780SB (Under development)

4Ch. Linear Driver IC for CD/CD-ROM

■ Overview

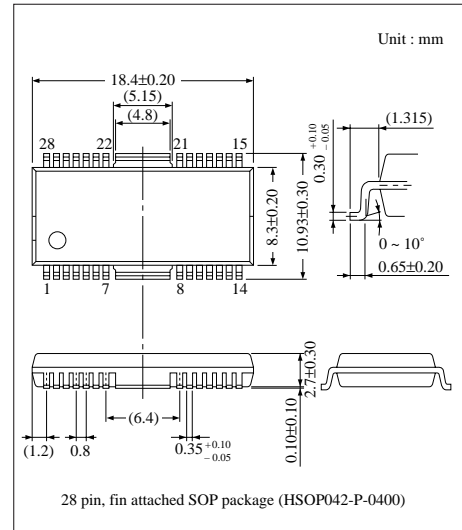
The AN8780SB employs 4ch. H-bridge system that is suitable for driver or actuator of CD player. Also it employs the surface mounting type package superior in radiation characteristics.

■ Features

- Wide output D-range is available regardless of reference voltage on the system
- 4 ch. BTL Driver built-in. Particularly suitable for driver of actuator or motor of 5 to 20Ω load.
- 2 ch. independently controllable PC (Power Cut) feature, and 4 ch. simultaneously controllable PC feature built-in.
- Thermal shut down circuit (with hysteresis) built-in.
- Control for proper heat of IC by separating the power supplies for signal line and output line.
- Provided with reset output pin.
- Shot brake mode.

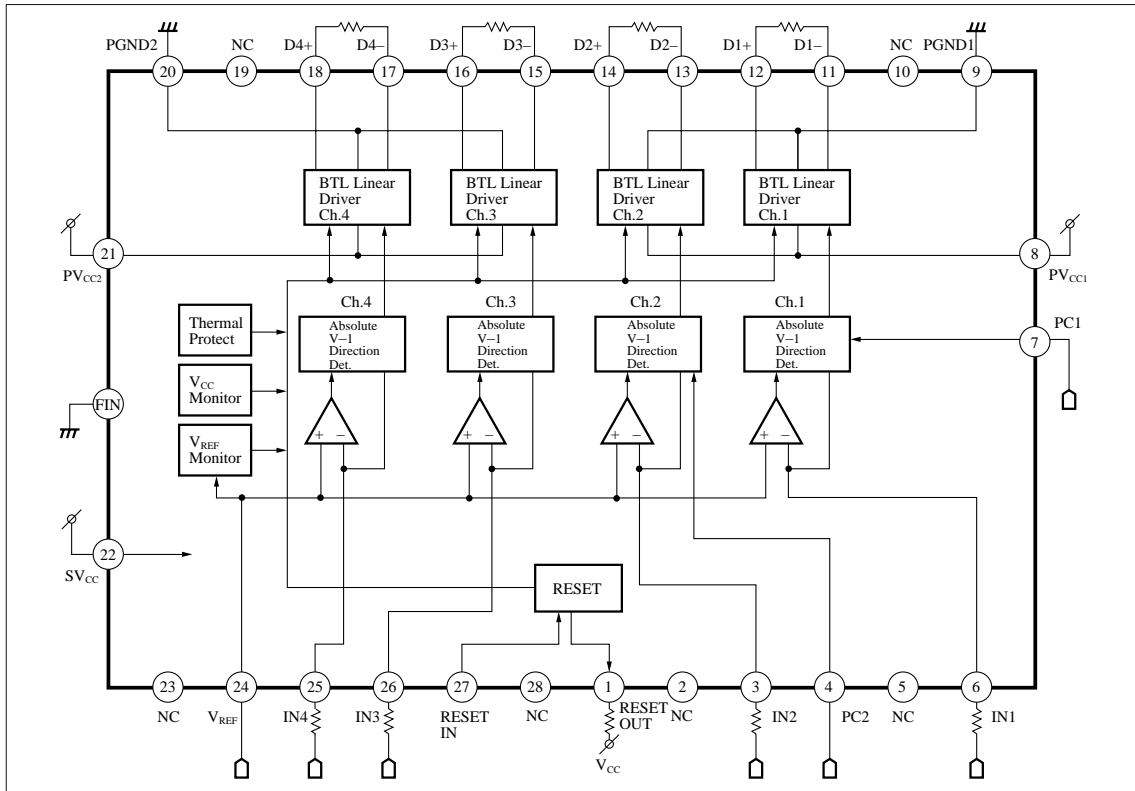
■ Application

CD player, CD-ROM, for drive of motor



The AN8780SB is under development, so these described contents may be revised without prior notice.

■ Block Diagram



■ Pin Description

Pin No.	Pin Name	Pin No.	Pin Name
1	Reset output pin	16	Normal rotation output pin of motor driver 3
2	NC	17	Reverse rotation output pin of motor driver 4
3	Input pin of motor driver 2	18	Normal rotation output pin of motor driver 4
4	PC 2 (Power Cut) input pin	19	—————
5	NC	20	GND 2 for driver
6	Input pin for motor driver 1	21	V _{CC} 2 for driver
7	PC (Power Cut) 1 input pin	22	Supply pin
8	V _{CC} 1 for driver	23	NC
9	GND 1 for driver	24	V _{REF} input pin
10	NC	25	Input pin of motor driver 4
11	Reverse rotation output pin of motor driver 1	26	Input pin of motor driver 3
12	Normal rotation output pin of motor driver 1	27	Reset input pin
13	Reverse rotation output pin of motor driver 2	28	NC
14	Normal rotation output pin of motor driver 2	Fin	GND
15	Reverse rotation output pin of motor driver 3	—	—————

■ Absolute Maximum Ratings (T_a=25°C)

Parameter	Symbol	Rating	Unit
Supply Voltage	V _{CC}	20	V
Supply Current	I _{CC}	—	mA
Power Dissipation ^{Note)}	P _D	3140	mW
Output current	I _{out}	500	mA
Operating Ambient Temperature	T _{opr}	-30 ~ +85	°C
Storage Temperature	T _{stg}	-55 ~ +150	°C

Note) For surface mounting on 100 × 80 × 1.6 mm double face glass epoxy board.

■ Recommended Operating Range (T_a=25°C)

Parameter	Symbol	Range
Operating Supply Voltage Range	V _{CC}	4.5V ~ 14V
	PV _{CC}	

■ Electrical Characteristics (Ta=25°C±2°C)

Parameter	Symbol	Condition	min.	typ.	max.	Unit
Total Circuit Current	I _{tot}	PV _{CC1} = PV _{CC2} = SV _{CC} = 8V	10	20	30	mA

Drivers 1 to 4

Input Offset Voltage	V _{IOF}	PV _{CC1} = PV _{CC2} = SV _{CC} = 8V R _L = 8Ω	-10	—	10	mV
Output Offset Voltage	V _{OOF}	PV _{CC1} = PV _{CC2} = SV _{CC} = 8V R _L = 8Ω	-60	—	60	mV
Gain (+)	G ₊	PV _{CC1} = PV _{CC2} = SV _{CC} = 8V R _L = 8Ω	14	17	21	dB
(+) (-) Relative Gain	DG	PV _{CC1} = PV _{CC2} = SV _{CC} = 8V R _L = 8Ω	-1.7	—	1.7	dB
Limit Voltage (+)	V _{L+}	PV _{CC1} = PV _{CC2} = SV _{CC} = 8V R _L = 8Ω	4.4	5.0	—	V
Limit Voltage (-)	V _{L-}	PV _{CC1} = PV _{CC2} = SV _{CC} = 8V R _L = 8Ω	—	-5.0	-4.4	V
Dead Zone Width	V _{DZ}	PV _{CC1} = PV _{CC2} = SV _{CC} = 8V R _L = 8Ω	-10	—	20	mV

PC Operation

Threshold H	V _{FCH}	PV _{CC1} = PV _{CC2} = SV _{CC} = 8V R _L = 8Ω	1.4	—	—	V
Threshold L	V _{PCL}	PV _{CC1} = PV _{CC2} = SV _{CC} = 8V R _L = 8Ω	—	—	0.5	V

Reset circuit

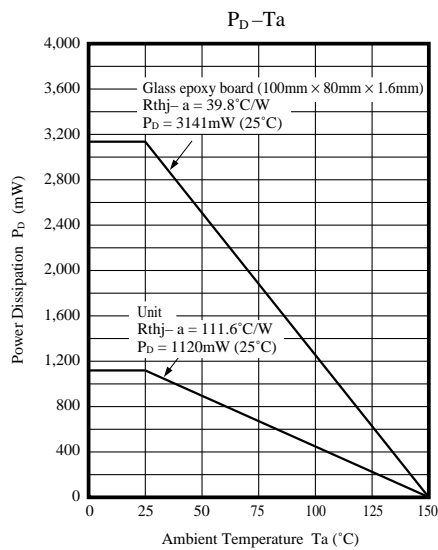
Reset Operation Release Supply Voltage	V _{RST}		—	—	4.5	V
Threshold Hysteresis Width	V _{HYS}		0.09	0.17	0.31	V
V _{REF} Detection	V _R		1.85	—	—	V

Heat Protection Circuit

Operation Temperature Equilibrium Value ^{Note 1)}	T _{THD}		(—)	(180)	(—)	°C
Operation Temperature Hysteresis Width ^{Note 1)}	DT _{THD}		(—)	(45)	(—)	°C

Note 1) Characteristic value in parentheses is a reference value for design but not a guaranteed value.

■ Characteristic Curve





LittleDiode supplies new, hard to find or obsolete electronic components and semiconductors all over the world.

With over two million different components listed you are sure to find the part you need.

Feel free to visit us today at our online store:

LittleDiode.com

Looking forward to providing you with the best possible service.