

### Features

- Temperature-compensated: 30 ppm/°C
- Trimmed 0.4% bandgap reference
- Internal amplifier with 150 mA capability
- Temperature range: Extended to -55 to 125°C
- Low frequency dynamic output impedance: < 150 mΩ
- Low output noise
- Robust ESD protection

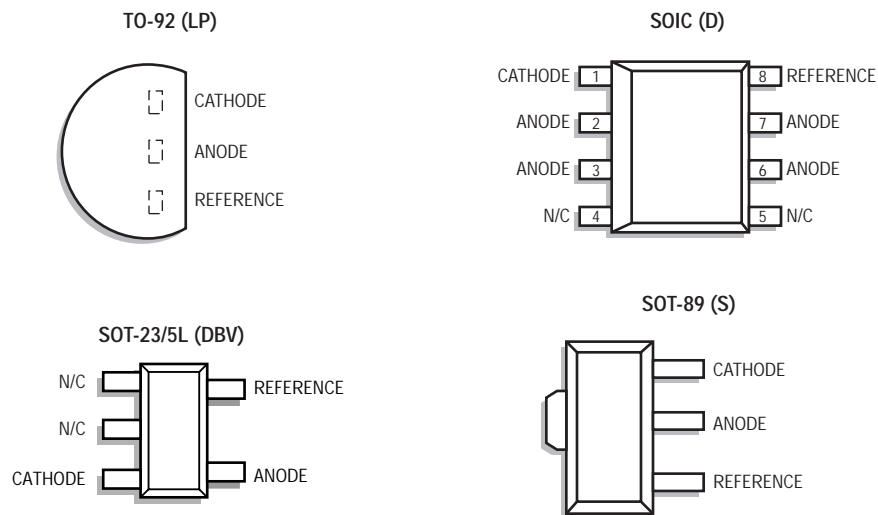
### Description

The AS1431 is a three-terminal adjustable shunt regulator providing a highly accurate 0.4% bandgap reference. The adjustable shunt regulator is ideal for a wide variety of linear applications that can be implemented using external components to obtain adjustable currents and voltages.

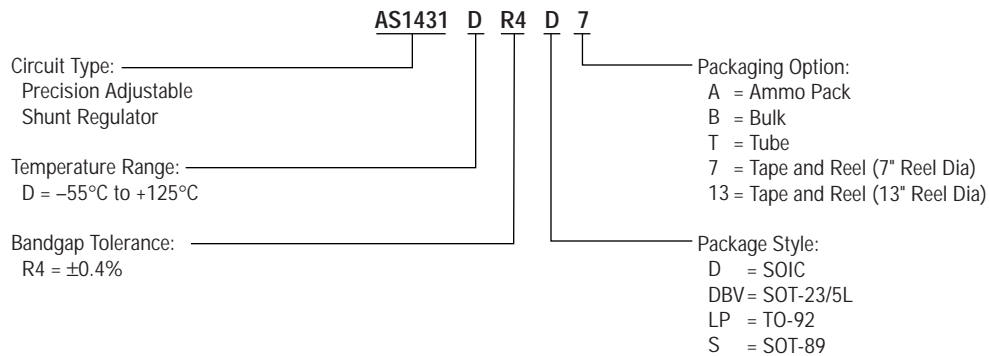
In the standard shunt configuration, the combination of low temperature coefficient (TC), sharp turn-on characteristics, low output impedance and programmable output voltage make this precision reference a perfect zener diode replacement.

The AS1431 is characterized to operate over the full automotive temperature range of -55 to 125°C and is now available in the SOT-23 (5L) package.

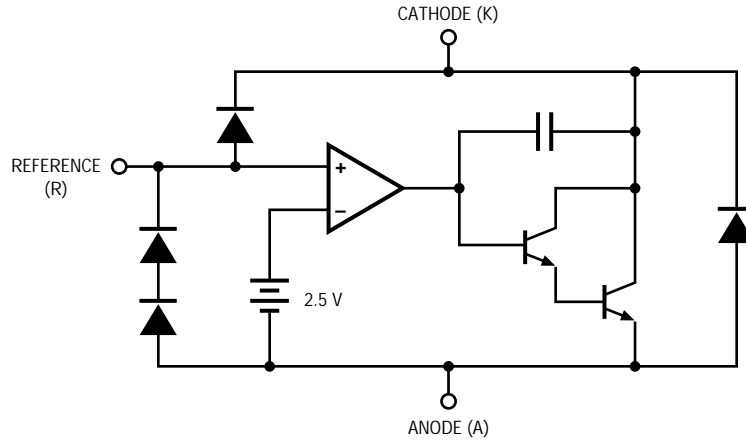
### Pin Configuration — Top view



### Ordering Information



## Functional Block Diagram



## Absolute Maximum Ratings

Parameter	Symbol	Rating	Units
Cathode-Anode Reverse Breakdown	$V_{KA}$	37	V
Anode-Cathode Forward Current	$I_{AK}$	1	A
Operating Cathode Current	$I_{KA}$	250	mA
Reference Input Current	$I_{REF}$	10	mA
Continuous Power Dissipation at 25°C	$P_D$		
TO-92		775	mW
8L SOIC		750	mW
SOT-89		1000	mW
SOT-23/5L		200	mW
Junction Temperature	$T_J$	150	°C
Storage Temperature	$T_{STG}$	-65 to 150	°C
Lead Temperature Soldering 10 Seconds	$T_L$	300	°C

Stresses greater than those listed under ABSOLUTE MAXIMUM RATINGS may cause permanent damage to the device. This is a stress rating only and functional operation of the device at these or any other conditions above those indicated in the operational sections of this specification is not implied. Exposure to absolute maximum rating conditions for extended periods may affect reliability.

## Recommended Conditions

Parameter	Symbol	Rating	Unit
Cathode Voltage	$V_{KA}$	$V_{REF}$ to 20	V
Cathode Current	$I_K$	10	mA

## Typical Thermal Resistances

Package	$\theta_{JA}$	$\theta_{JC}$	Typical Derating
TO-92	160°C/W	80°C/W	6.3 mW/°C
SOIC	175°C/W	45°C/W	5.7 mW/°C
SOT-89	110°C/W	8°C/W	9.1 mW/°C
SOT-23/5L	575°C/W	150°C/W	1.7 mW/°C

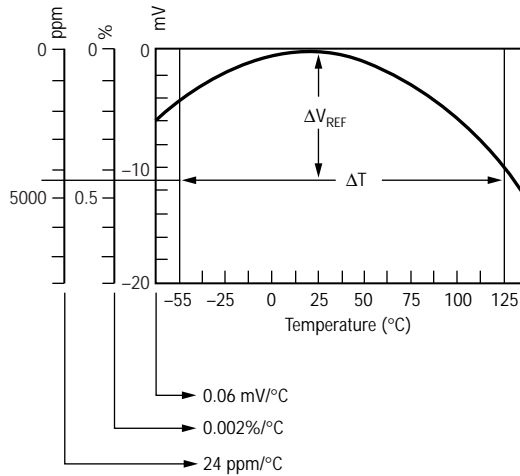
**Electrical Characteristics**

Electrical Characteristics are guaranteed over full junction temperature range (–55 to 125°C). Ambient temperature must be derated based on power dissipation and package thermal characteristics. The conditions are:  $V_{KA} = V_{REF}$  and  $I_K = 10\text{ mA}$  unless otherwise stated.

Parameter	Symbol	Test Condition	Min.	Typ.	Max.	Unit	Circuit
Reference Voltage	$V_{REF}$	$T_A = 25^\circ\text{C}$	2.490	2.500	2.510	V	1
		Over temp.	2.470		2.530	V	1
$\Delta V_{REF}$ with Temp*	TC			0.06	0.16	mV/°C	1
Ratio of Change in $V_{REF}$ to Cathode Voltage	$\Delta V_{REF}$	$\Delta V_K = 3\text{ V to }36\text{ V}$	–2	–1.1		mV/V	2
Reference Input Current	$I_{REF}$	$R_1 = 10\text{ k}\Omega; R_2 = \infty$		0.7	1.9	$\mu\text{A}$	2
$I_{REF}$ Temp Deviation	$\Delta I_{REF}$	Over temp.		0.4	1.2	$\mu\text{A}$	2
Min $I_K$ for Regulation	$I_{K(\text{min})}$			0.4	1	mA	1
Off State Leakage	$I_{K(\text{off})}$	$V_{REF} = 0\text{ V},$ $V_{KA} = 36\text{ V}$		0.04	500	nA	3
Dynamic Output Impedance	$Z_{KA}$	$f \leq 1\text{ kHz}$ $I_K = 1\text{ to }100\text{ mA}$		0.15	0.2	$\Omega$	1

\*Calculating Average Temperature Coefficient (TC)

**Average Temperature Coefficient**



$$\begin{aligned} \bullet \text{ TC in mV/}^\circ\text{C} &= \frac{\Delta V_{REF} \text{ (mV)}}{\Delta T_A} \\ \bullet \text{ TC in \%}/^\circ\text{C} &= \frac{\left(\frac{\Delta V_{REF}}{V_{REF} \text{ at } 25^\circ\text{C}}\right) \times 100}{\Delta T_A} \\ \bullet \text{ TC in ppm}/^\circ\text{C} &= \frac{\left(\frac{\Delta V_{REF}}{V_{REF} \text{ at } 25^\circ\text{C}}\right) \times 10^6}{\Delta T_A} \end{aligned}$$

Test Circuits

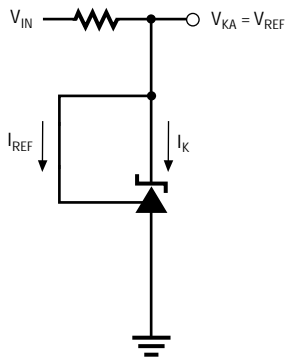


Figure 1a. Test Circuit 1

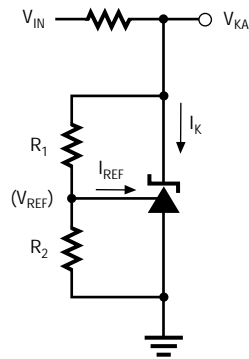


Figure 1b. Test Circuit 2

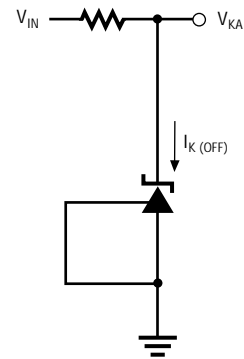


Figure 1c. Test Circuit 3

Typical Performance Curves

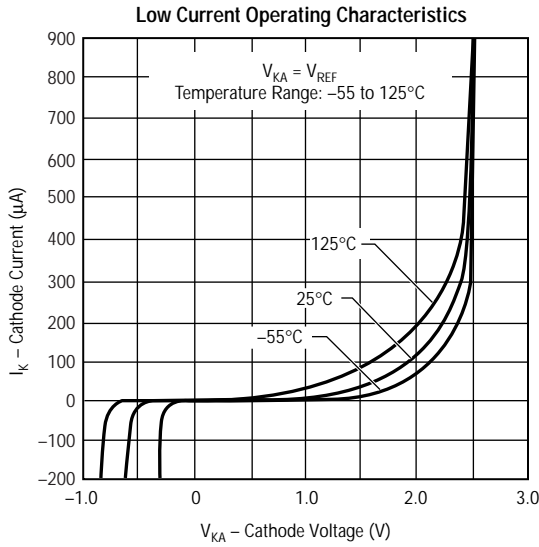


Figure 2

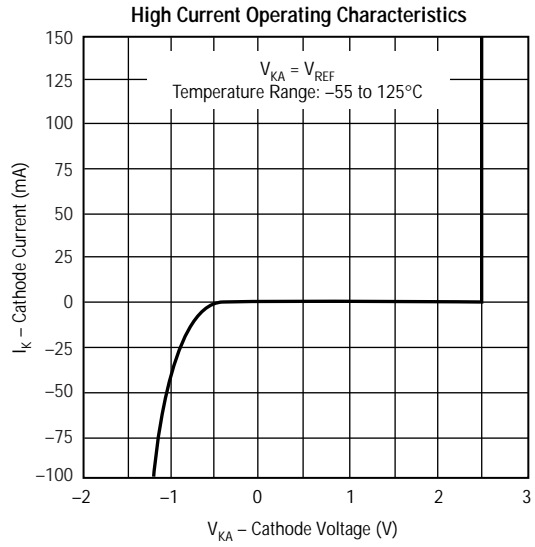


Figure 3

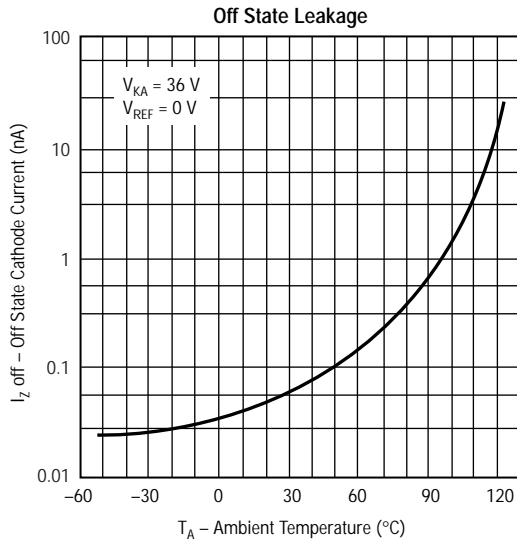


Figure 4

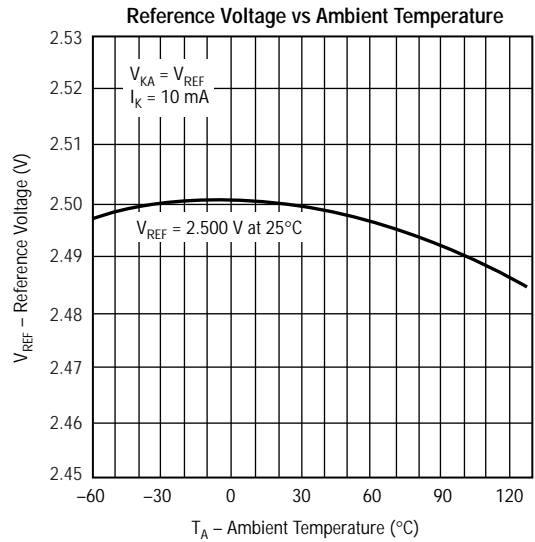


Figure 5

Typical Performance Curves

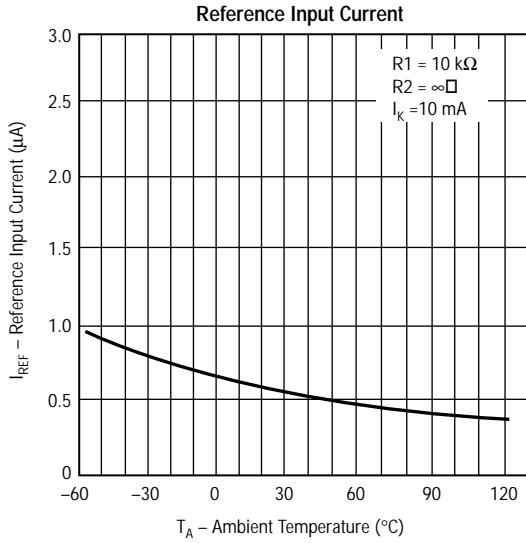


Figure 6

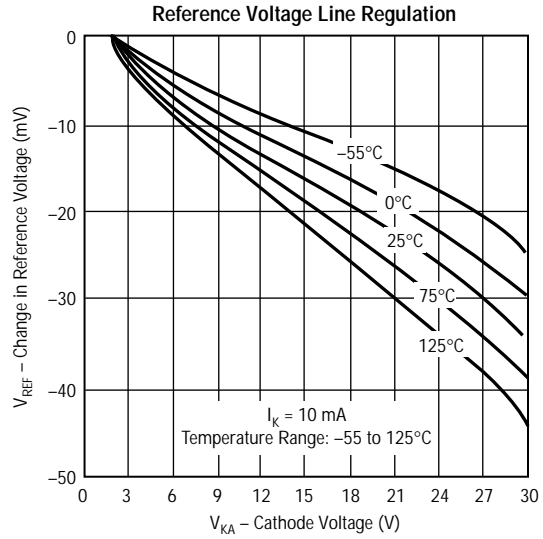


Figure 7

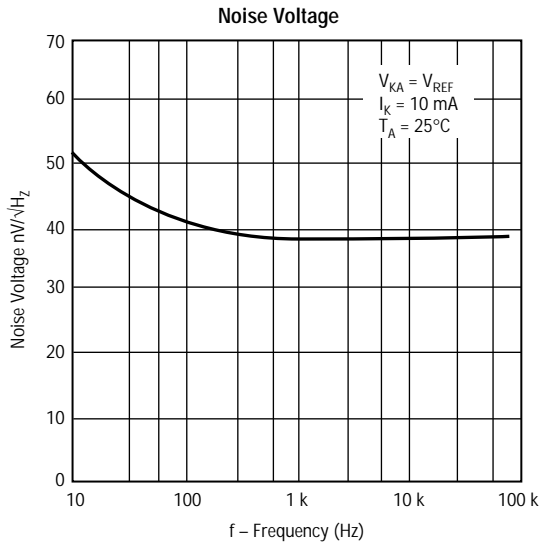


Figure 8

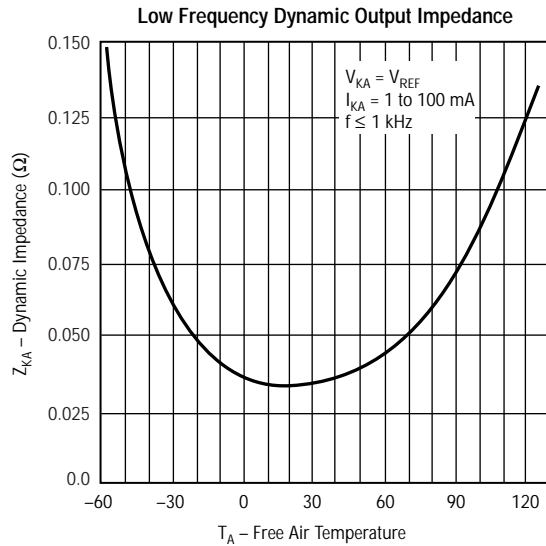


Figure 9

Typical Performance Curves

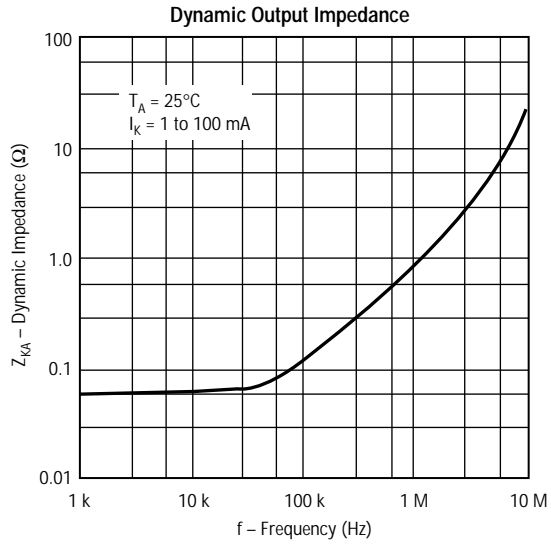


Figure 10

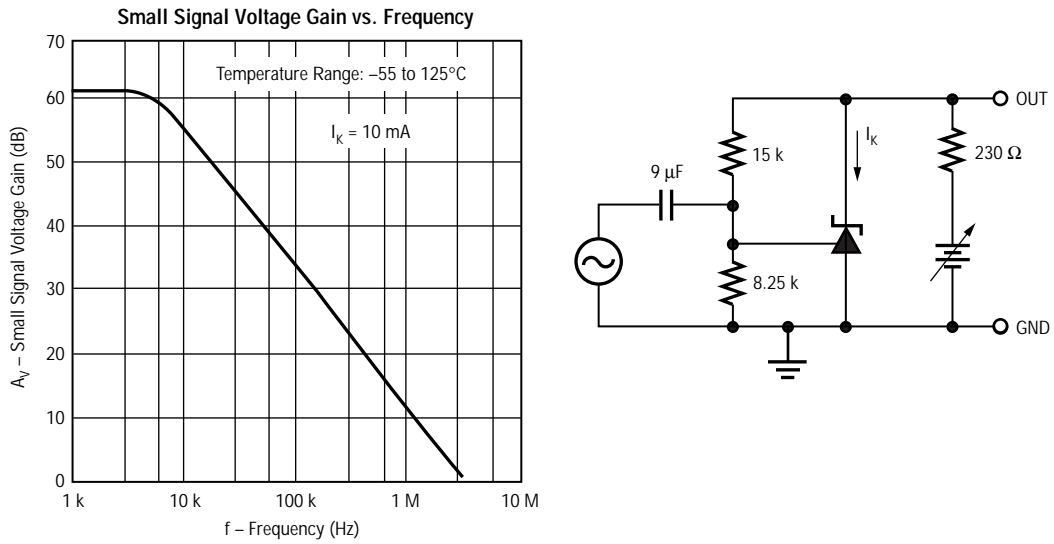


Figure 11

Typical Performance Curves

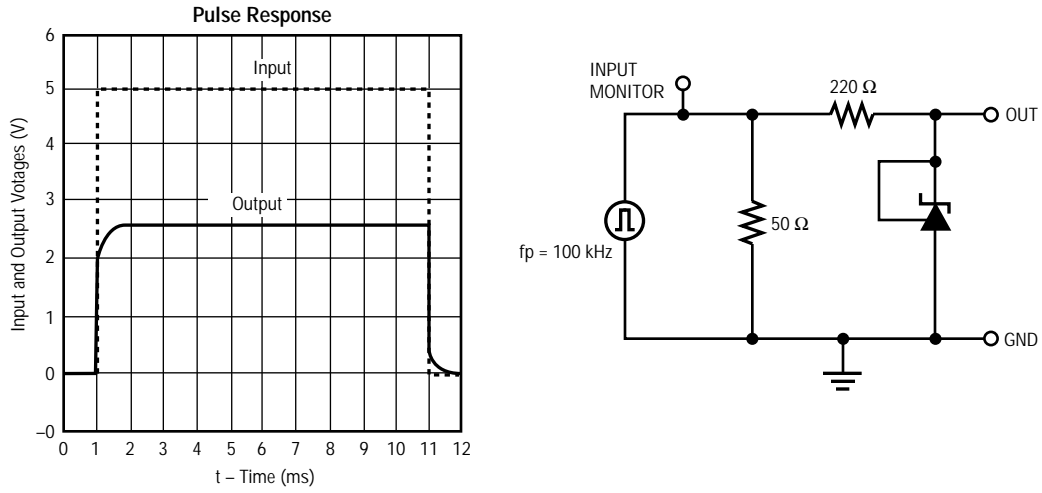


Figure 12

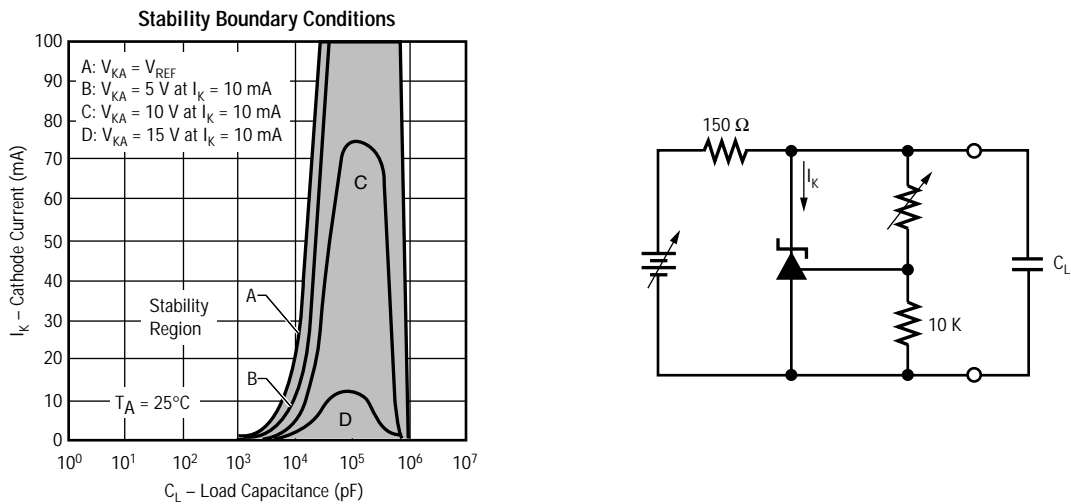


Figure 13



LittleDiode supplies new, hard to find or obsolete electronic components and semiconductors all over the world.

With over two million different components listed you are sure to find the part you need.

Feel free to visit us today at our online store:

**[LittleDiode.com](http://LittleDiode.com)**

Looking forward to providing you with the best possible service.