

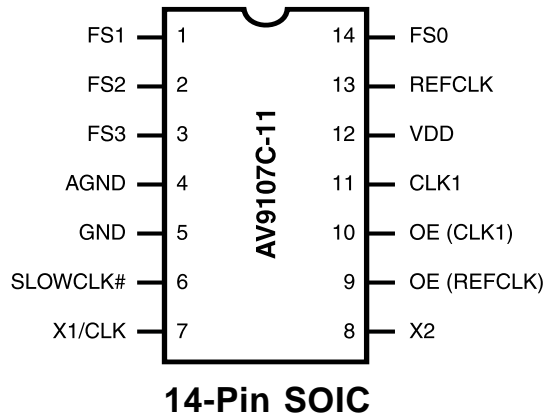
Green PC CPU Frequency Generator

General Description

The **AV9107C-11** offers a tiny footprint solution for generating a fixed system clock and a selectable CPU clock. The 16 selectable CPU frequencies provide all necessary clocks for 386, 486 and Pentium systems.

In addition, the **AV9107C-11** has one pin that, when forced low, will slow the CPU clock to 8 MHz. This feature is important in systems that have dynamic microprocessors. Dynamic microprocessors have a minimum operating speed, typically 8 MHz. In "green" PCs, the designer often wants to slow the CPU to its minimum operating speed to save power. The **AV9107C-11** will smoothly slow the CPU to 8 MHz when the SLOWCLK pin goes low.

The **AV9107C-11** is fabricated using 0.8µm CMOS technology. As a result, a 45/55 duty cycle can be achieved on the CPU clock and ±250ps worst case absolute jitter.



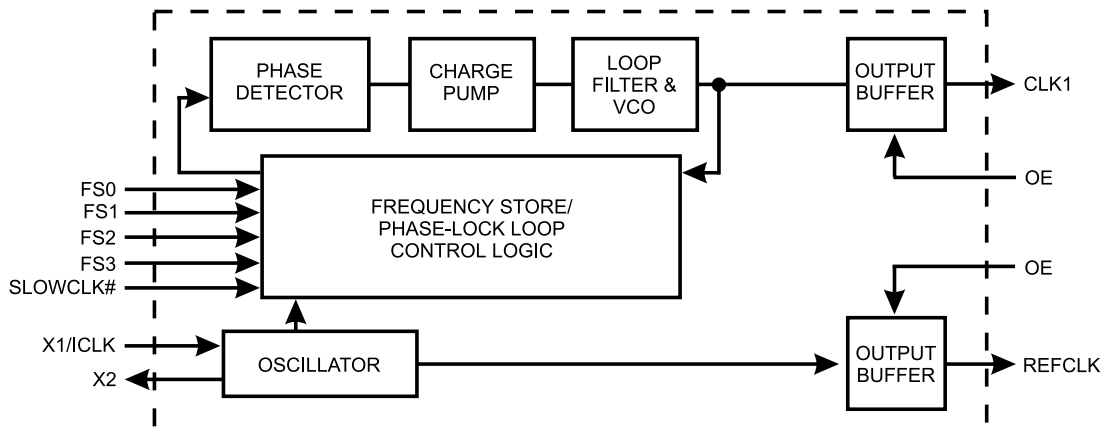
Features

- One pin slows CPU clock to 8 MHz
- Provides system clock and selectable CPU clock
- On-chip loop filter
- Runs up to 66 MHz at 3.3V
- Worst case cycle-to-cycle variation of 0.1%
- Smooth transition from one CPU frequency to another or to 8 MHz
- Lowest jitter, ±250ps absolute
- 16 internal frequencies for 386, 486 or Pentium systems
- Worst case duty cycle of 45/55 on CPU clock

Functionality

FS3	FS2	FS1	FS0	CLK1
0	0	0	0	16.00 MHz
0	0	0	1	39.99 MHz
0	0	1	0	50.11 MHz
0	0	1	1	80.01 MHz
0	1	0	0	66.58 MHz
0	1	0	1	100.23 MHz
0	1	1	0	8.02 MHz
0	1	1	1	4.01 MHz
1	0	0	0	8.02 MHz
1	0	0	1	20.00 MHz
1	0	1	0	25.06 MHz
1	0	1	1	39.99 MHz
1	1	0	0	33.25 MHz
1	1	0	1	50.11 MHz
1	1	1	0	30.00 MHz
1	1	1	1	4.01 MHz

Block Diagram





LittleDiode supplies new, hard to find or obsolete electronic components and semiconductors all over the world.

With over two million different components listed you are sure to find the part you need.

Feel free to visit us today at our online store:

LittleDiode.com

Looking forward to providing you with the best possible service.