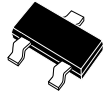


CMPS5061
 CMPS5062
 CMPS5063
 CMPS5064

**SURFACE MOUNT
 SILICON CONTROLLED RECTIFIER**



SOT-23 CASE

Central™

Semiconductor Corp.

DESCRIPTION:

The CENTRAL SEMICONDUCTOR CMPS5061 Series types are epoxy molded PNP Silicon Controlled Rectifiers manufactured in an SOT-23 case, designed for control systems and sensing circuit applications.

Marking codes are P2A, P2B, P2C, and P2D respectively.

MAXIMUM RATINGS (T_A=25°C)

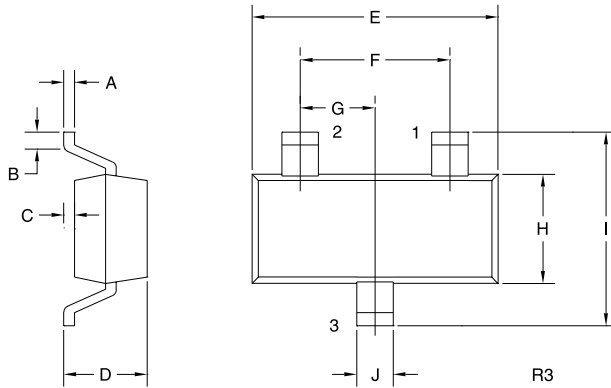
	SYMBOL	CMPS5061	CMPS5062	CMPS5063	CMPS5064	UNITS
Peak Repetitive Off-State Voltage	V _{DRM}	100	200	300	400	V
Peak Repetitive Reverse Voltage	V _{RRM}	100	200	300	400	V
RMS On-State Current	I _T (RMS)			0.8		A
Average On-State Current (T _C =67°C)	I _T (AV)			0.51		A
Power Dissipation	P _D			350		mW
Operating and Storage						
Junction Temperature	T _J , T _{stg}		-65 to +150			°C
Thermal Resistance	θ _{JA}		357			°C/W

ELECTRICAL CHARACTERISTICS (T_A=25°C unless otherwise noted)

SYMBOL	TEST CONDITIONS	CMPS5061				CMPS5062				CMPS5063				CMPS5064				UNITS
		MIN	MAX	MIN	MAX	MIN	MAX	MIN	MAX	MIN	MAX	MIN	MAX					
I _{DRM}	V _D =Rated V _{DRM} , R _{GK} =1KΩ			1.0		1.0			1.0			1.0			1.0	μA		
I _{RRM}	V _D =Rated V _{DRM} , R _{GK} =1KΩ			1.0		1.0			1.0			1.0			1.0	μA		
I _{DRM}	V _D =Rated V _{DRM} , R _{GK} =1KΩ, T _C =125°C			50		50			50			50			50	μA		
I _{RRM}	V _D =Rated V _{DRM} , R _{GK} =1KΩ, T _C =125°C			50		50			50			50			50	μA		
V _T	I _T =1.2A			1.7		1.7			1.7			1.7			1.7	V		
I _{GT}	V _D =7.0V, R _L =100Ω, R _{GK} =1KΩ			200		200			200			200			200	μA		
V _{GT}	V _D =7.0V, R _L =100Ω, R _{GK} =1KΩ			0.8		0.8			0.8			0.8			0.8	V		
V _{GD}	V _D = Rated V _{DRM} , R _L =100Ω, T _C =125°C	0.1			0.1			0.1			0.1					V		
I _H	V _D =7.0, R _{GK} =1KΩ			5.0		5.0			5.0			5.0			5.0	mA		
t _{ON}	V _D = Rated V _{DRM} , I _{GT} =1.0mA, R _{GK} =1.0Ω, di/dt=6.0A/μs			2.8 TYP		2.8 TYP			2.8 TYP			2.8 TYP			2.8 TYP	μs		

**SURFACE MOUNT
SILICON CONTROLLED RECTIFIER**

MECHANICAL OUTLINE - SOT-23



LEAD CODE:

- 1) CATHODE
- 2) GATE
- 3) ANODE

MARKING CODES:

- CMPS5061:P2A
- CMPS5062:P2B
- CMPS5063:P2C
- CMPS5064:P2D

DIMENSIONS				
SYMBOL	INCHES		MILLIMETERS	
	MIN	MAX	MIN	MAX
A	0.003	0.007	0.08	0.18
B	0.006	-	0.15	-
C	-	0.005	-	0.13
D	0.035	0.043	0.89	1.09
E	0.110	0.120	2.80	3.05
F	0.075		1.90	
G	0.037		0.95	
H	0.047	0.055	1.19	1.40
I	0.083	0.098	2.10	2.49
J	0.014	0.020	0.35	0.50

SOT-23 (REV: R3)



LittleDiode supplies new, hard to find or obsolete electronic components and semiconductors all over the world.

With over two million different components listed you are sure to find the part you need.

Feel free to visit us today at our online store:

LittleDiode.com

Looking forward to providing you with the best possible service.