

BA3902 BA3904A BA3906

Power supply, standard voltage

The BA3902, BA3904A, and BA3906 are power supplies used in car audio systems.

Features

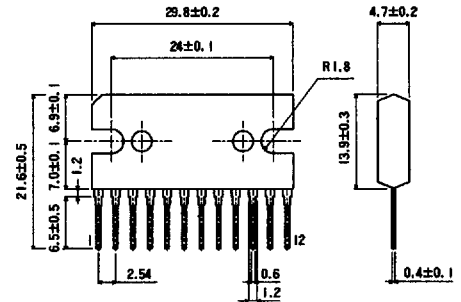
- available in an SIP-M12 package
- four power sources available from each IC
 - BA3902: 5.0 V, 8.5 V (×2), 9.0 V
 - BA3904A: 5.6 V, 8.55 V (×2), 9.0 V
 - BA3906: 5.6 V, 8.3 V (×3)
- incorporates a chip enable output and a mute output for the reference voltage output and accessory voltage detection
- all output circuits use a PNP transistor with a low saturation voltage
- AM and FM band selection switch included with a standby switch, which shuts down the IC when OFF
- internal output overload protection circuit prevents damage to the IC in the event the load is short circuited
- overvoltage protection circuit
- internal thermal overload also protects the IC

Applications

- car radio

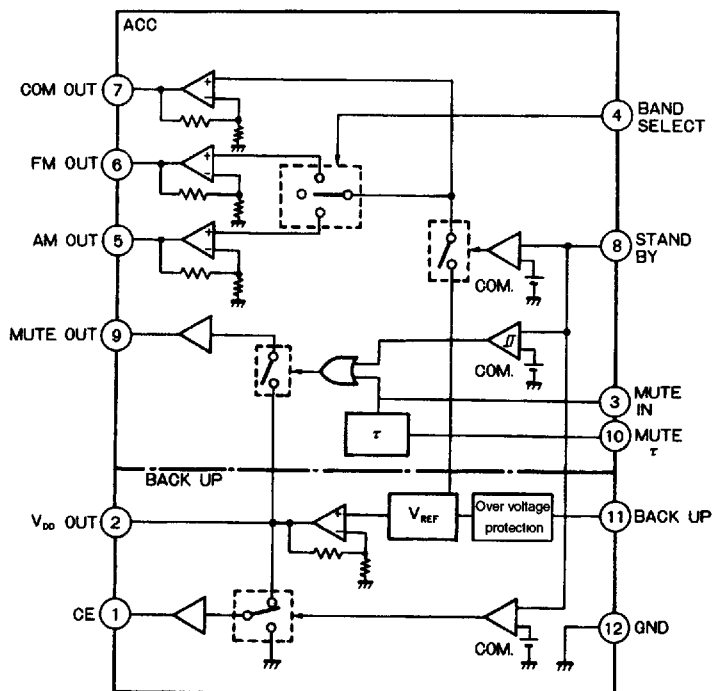
Dimensions (Units : mm)

BA2902, BA3904A, and BA3906 (SIP-M12)



BA3902, BA3904A, BA3906 System power supply, BA3900 & BA3910 series

Block diagram



absolute maximum ratings ($T_a = 25^\circ\text{C}$)

Parameter	Symbol	Limits	Unit	Conditions
supply voltage	BACK UP	24	V	
power dissipation	P_d	3000	mW	
operating temperature	T_{opr}	$-30 \sim +85$	$^\circ\text{C}$	
storage temperature	T_{stg}	$-55 \sim +150$	$^\circ\text{C}$	
maximum supply voltage	BACK UP peak	50	V	$t_r \geq 1 \text{ ms}$, maximum supply time is $< 200 \text{ ms}$

recommended operating conditions ($T_a = 25^\circ\text{C}$)

Parameter	Symbol	Min	Typical	Max	Unit	
recommended operating supply	BA3902 BA4904A	BACK UP	10	13.2	16	V
	BA3906	BACK UP	9.2	13.2	16	V
operating voltage range	BA3904A BA3906	BACK UP	9.0	13.2	24	V

552

ROHM

Standard & Memory ICs

7828999 0012676 330

Electrical characteristics (unless otherwise noted, $T_a = 25^\circ\text{C}$, BACK UP = 13.2 V)
(Sheet 1 of 3)

Parameter		Symbol	Min	Typical	Max	Unit	Conditions
Standby current		I_{st}		0.7	1.0	mA	Stand by = 0 V
Output voltage 1 (V_{DD})							
Output voltage 1	BA3902	V_{O1}	4.7	5.0	5.3	V	$I_{O1} = 40 \text{ mA}$
	BA3904A		5.3	5.6	5.9		
	BA3906		5.3	5.6	5.9		
Line regulation		ΔV_{O11}		20	100	mV	Back up = 10 ~ 16 V, $I_{O1} = 40 \text{ mA}$
Load regulation		ΔV_{O12}		20	100	mV	$I_{O1} = 10 \sim 50 \text{ mA}$
Dropout voltage		ΔV_{O13}		0.45	1.0	V	$I_{O1} = 40 \text{ mA}$
Output current	BA3902	I_{11}	0		60	mA	$V_{O1} \geq 4.7 \text{ V}$
	BA3904A		0		60		$V_{O1} \geq 5.3 \text{ V}$
	BA3906		0		60		$V_{O1} \geq 5.3 \text{ V}$
Output voltage 2 (COM)							
Output voltage 2	BA3902	V_{O2}	8.6	9.0	9.4	V	$I_{O2} = 80 \text{ mA}$
	BA3904A		8.6	9.0	9.4		
	BA3906		7.95	8.3	8.65		
Line regulation		ΔV_{O21}		10	200	mV	Back up = 10 ~ 16 V, $I_{O2} = 80 \text{ mA}$
Load regulation		ΔV_{O22}		20	200	mV	$I_{O2} = 10 \sim 100 \text{ mA}$
Dropout voltage	BA3902	ΔV_{O23}		0.3	0.6	V	$I_{O2} = 80 \text{ mA}$
	BA3904A			0.3	0.6		
	BA3906			0.3	0.55		
Output current	BA3902	I_{21}	0		130	mA	$V_{O2} \geq 8.6 \text{ V}$
	BA3904A		0		130		$V_{O2} \geq 8.6 \text{ V}$
	BA3906		0		125		$V_{O2} \geq 7.85 \text{ V}$
Output voltage 3 (FM)							
Output voltage 3	BA3902	V_{O3}	8.1	8.5	8.9	V	$I_{O3} = 150 \text{ mA}$
	BA3904A		8.2	8.55	8.9		
	BA3906		7.95	8.3	8.65		
Line regulation		ΔV_{O31}		10	200	mV	Back up = 10 ~ 16 V, $I_{O3} = 150 \text{ mA}$
Load regulation		ΔV_{O32}		20	200	mV	$I_{O3} = 10 \sim 200 \text{ mA}$

BA3902, BA3904A, BA3906 System power supply, BA3900 & BA3910 series

Electrical characteristics (unless otherwise noted, $T_a = 25^\circ\text{C}$, BACK UP = 13.2 V)
 (Sheet 2 of 3)

Parameter		Symbol	Min	Typical	Max	Unit	Conditions
Dropout voltage	BA3902	ΔV_{O33}		0.4	0.6	V	$I_{O3} = 150 \text{ mA}$
	BA3904A			0.4	0.55		
	BA3906			0.4	0.55		
Output current	BA3902	I_{31}	0		200	mA	$V_{O3} \geq 8.1 \text{ V}$
	BA3904A		0		250		$V_{O3} \geq 8.1 \text{ V}$
	BA3906		0		250		$V_{O3} \geq 7.85 \text{ V}$
Output voltage 4 (AM)							
Output voltage 4	BA3902	V_{O4}	8.1	8.5	8.9	V	$I_{O4} = 80 \text{ mA}$
	BA3904A		8.2	8.55	8.9		
	BA3906		7.95	8.3	8.65		
Line regulation		ΔV_{O41}		10	200	mV	Back up = 10 ~ 16 V, $I_{O4} = 80 \text{ mA}$
Load regulation		ΔV_{O42}		20	200	mV	$I_{O4} = 10 \sim 100 \text{ mA}$
Dropout voltage	BA3902	ΔV_{O43}		0.3	0.6	V	$I_{O4} = 80 \text{ mA}$
	BA3904A			0.3	0.55		
	BA3906			0.3	0.55		
Output current	BA3902	I_{41}	0		130	mA	$V_{O4} \geq 8.1 \text{ V}$
	BA3904A		0		145		$V_{O4} \geq 8.1 \text{ V}$
	BA3906		0		145		$V_{O4} \geq 7.85 \text{ V}$
Input 1 (STAND BY)							
Input change level		V_{IH1}	5.5	6.0	6.5	V	COM = ON
Input current, high		V_{H1}	100	180	260	μA	Stand by = 8 V
CE up threshold voltage		V_{TH11}	6.0	6.3	6.6	V	Stand by > V_{TH11} , CE = HIGH
CE down threshold voltage		V_{TH12}	5.2	5.5	5.8	V	Stand by < V_{TH12} , CE = LOW
MUTE down threshold voltage	BA3902	V_{TH21}	6.7	7.1	7.5	V	Stand by < V_{TH21} , MUTE OUT = LOW
	BA3904A		6.85	7.25	7.65		
	BA3906		6.85	7.25	7.65		
MUTE up threshold voltage		V_{TH22}	7.6	8.0	8.4	V	Stand by > V_{TH22} , MUTE OUT = HIGH
Input 2 (BAND SELECT)							
FM out change level		V_{IH2}	1.0	1.4	1.8	V	
AM out change level		V_{IM2}	3.0	3.4	3.8	V	
Input current, high		I_{H2}		10	60	μA	Band select = 5 V

Electrical characteristics (unless otherwise noted, $T_a = 25^\circ\text{C}$, BACK UP = 13.2 V)
 (Sheet 3 of 3)

Parameter	Symbol	Min	Typical	Max	Unit	Conditions	
Input 3 (MUTE IN)							
MUTE OUT change level	V_{TH3}	1.4	2.3	3.3	V	Mute out HI	
Input current, high	I_{H3}		100	170	μA	Mute in = 5 V	
MUTE OUT output current	I_{O5}	12	19		mA	Mute out > 4.2 V	
CE output voltage	BA3902	V_{O61}	$0.82 \times V_{DD}$		V_{DD}	V	CE = HIGH, $I_{O6} = 1 \text{ mA}$
	BA3904A		0.82×5				
	BA3906		0.82×5				
CE output voltage	V_{O62}		0	0.3	V	CE = LOW	
Ripple rejection ratio	RR		60		dB	$f = 100 \text{ Hz}$	

Figure 1 Test circuit

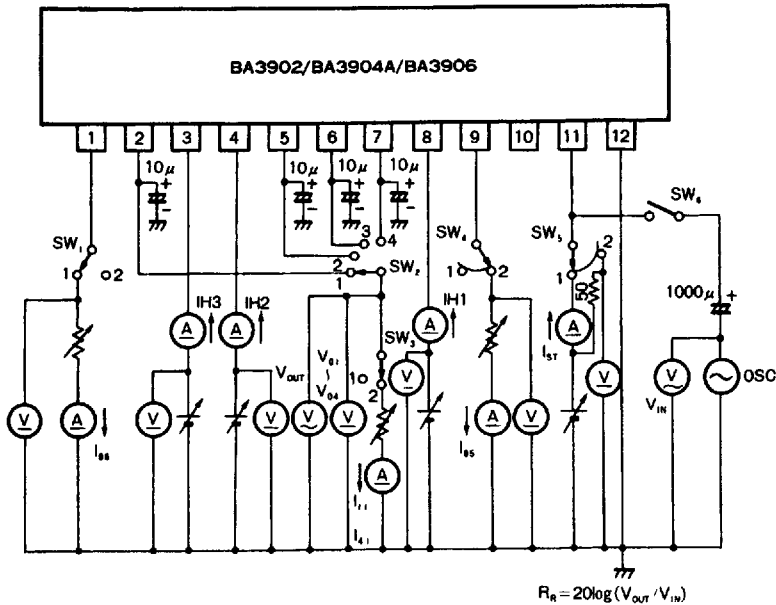


Figure 2 Application example—BA3902

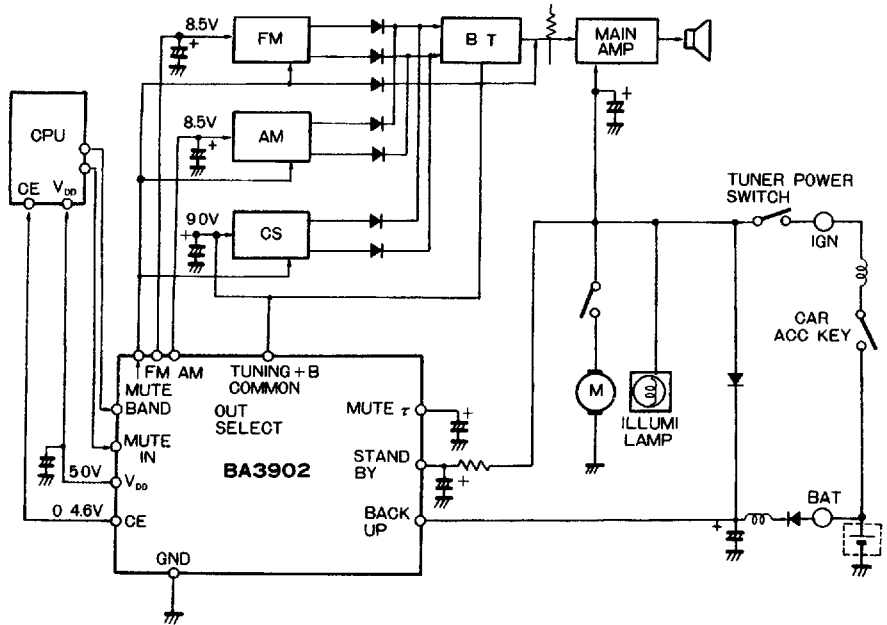


Figure 3 Application example—BA3904A

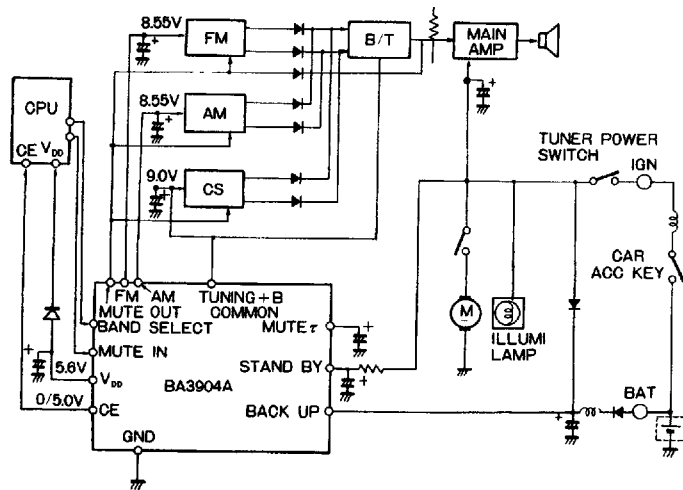


Figure 4 Application example—BA3906

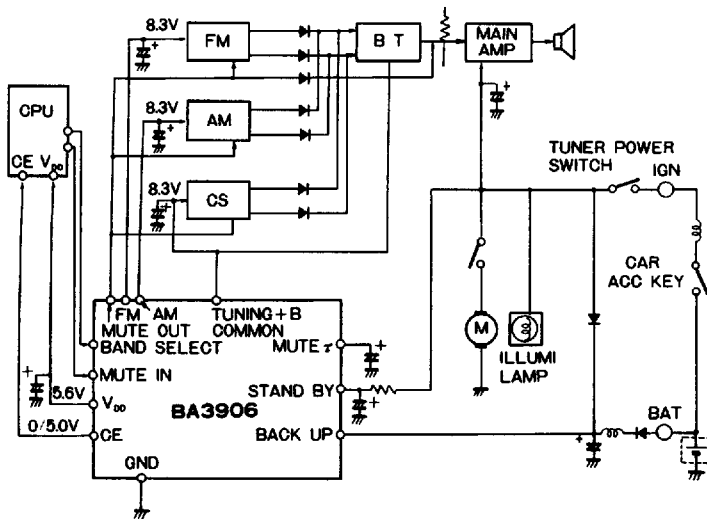
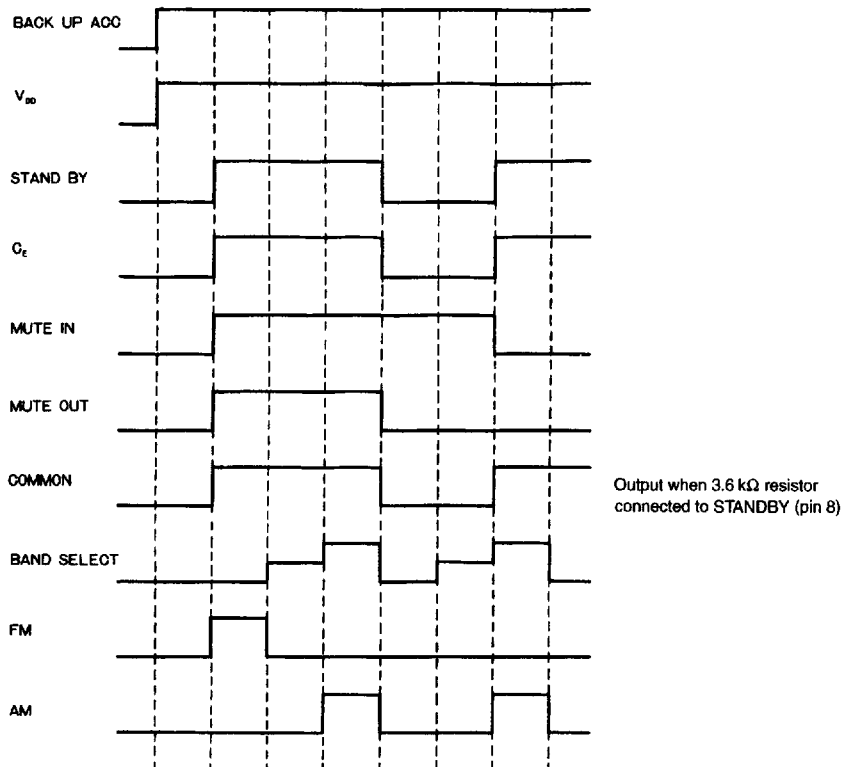


Figure 5 Input and output timing chart



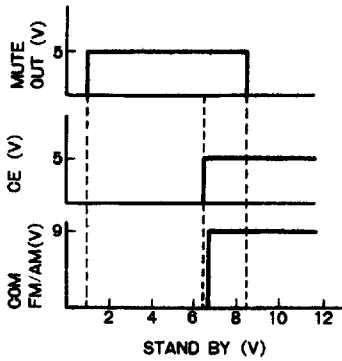


Figure 6 Standby (pin 8) 3.6 kΩ

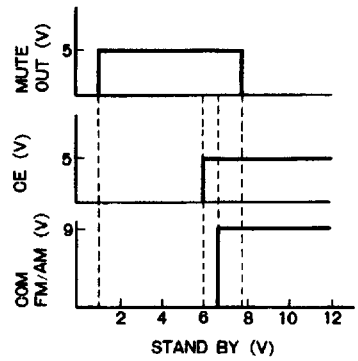


Figure 7

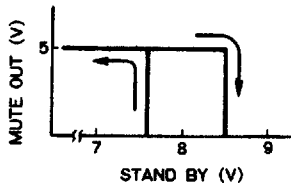


Figure 8 MUTEOUT (pin 9) output pin

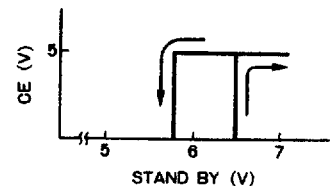
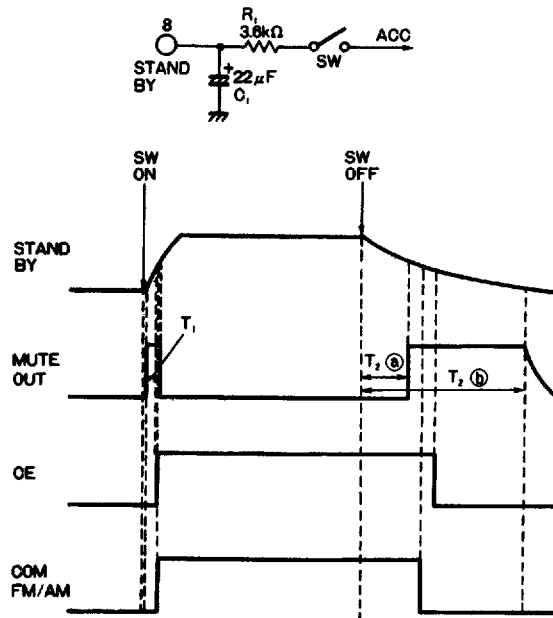


Figure 9 CE (pin 1) output pin

Figure 10



Electrical characteristic curves

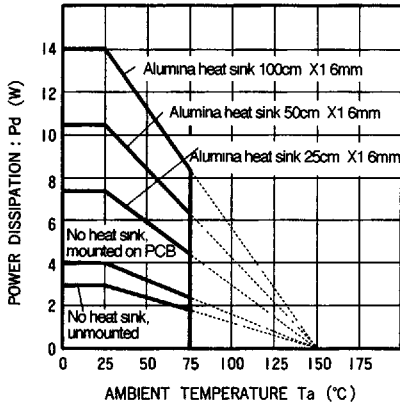


Figure 11

STAND BY (pin 8)

BACK UP = 13.2 v

STAND BY: SW ON = 13.2 V: SW OFF = OPEN

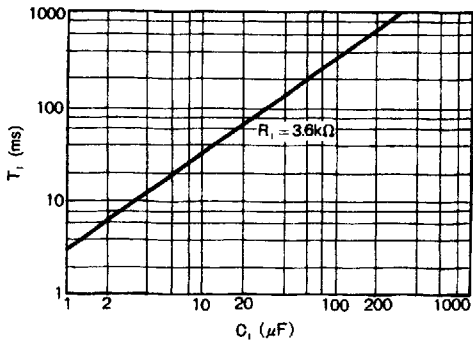


Figure 12

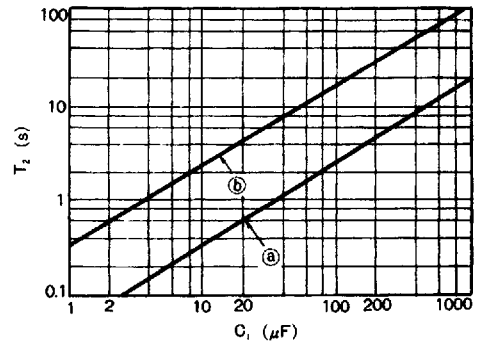


Figure 13

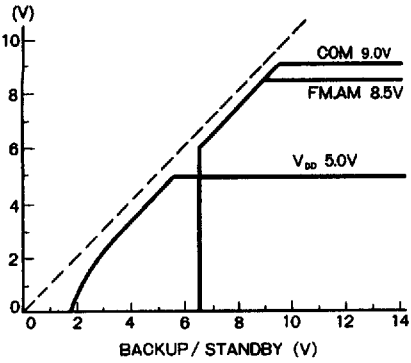


Figure 14 (BA3902)

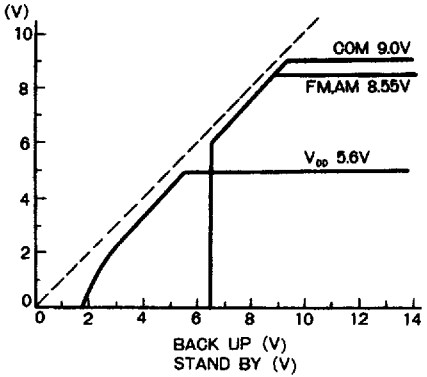


Figure 15 (BA3904A)

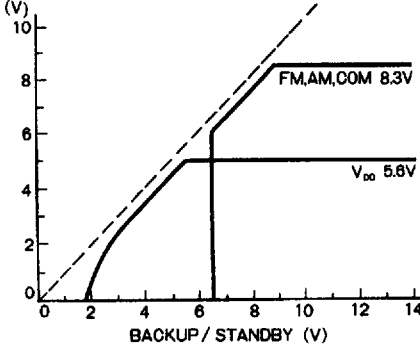


Figure 16 BA3906

This datasheet has been downloaded from:

www.DatasheetCatalog.com

Datasheets for electronic components.



LittleDiode supplies new, hard to find or obsolete electronic components and semiconductors all over the world.

With over two million different components listed you are sure to find the part you need.

Feel free to visit us today at our online store:

LittleDiode.com

Looking forward to providing you with the best possible service.