

System power supply for car stereos

BA4900

The BA4900 is a single-chip power supply IC for use in car stereo audio systems. The IC contains one 5.8V output for a microcontroller, three 8V outputs, one 10V output, and two outputs interlocked with BACKUP and ACC systems.

●Applications

Car stereo audio systems

●Features

- 1) All output circuits, except AMP and ANT circuits, use a PNP transistor with a low saturation voltage.
- 2) Output current limit circuit prevents damage to the IC in the event output is short-circuited.
- 3) Overvoltage protection circuit provides protection against surges from the ACC or BACKUP inputs.
- 4) Compact 12-pin POWER package allows a large power dissipation.
- 5) Thermal protection circuit prevents heat damage to the IC.

●Absolute maximum ratings (Ta = 25°C)

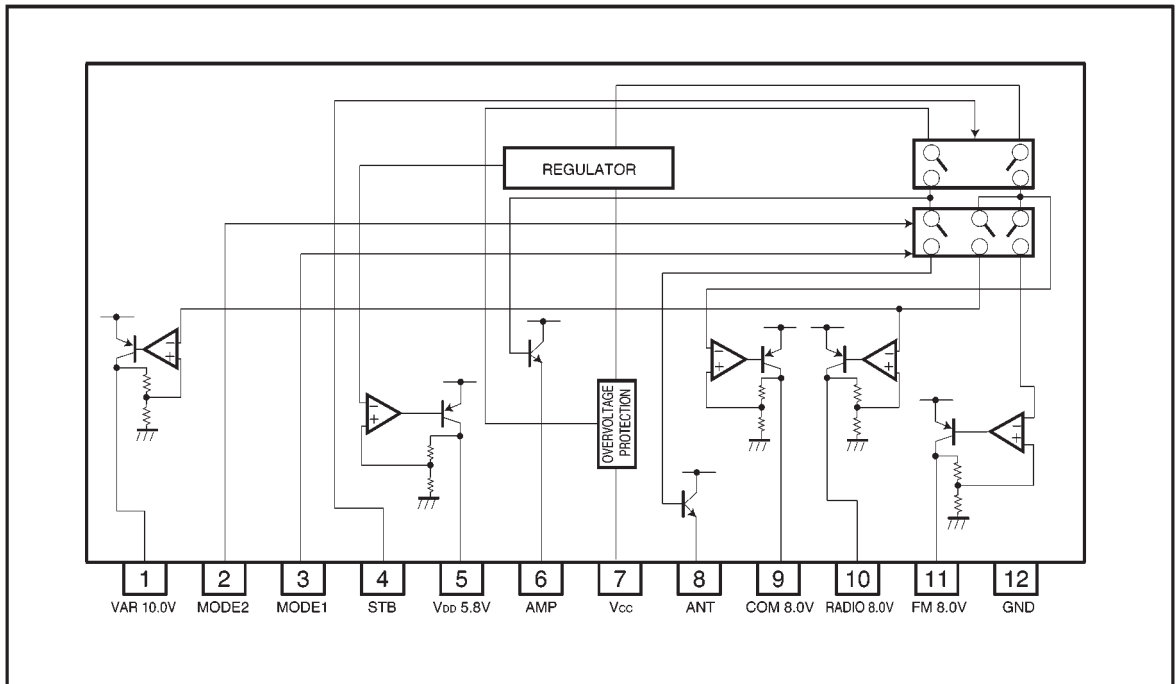
Parameter	Symbol	Limits	Unit
Applied voltage	V _{CC}	24	V
Power dissipation	P _d	3000	mW
Operating temperature	T _{opr}	-30~+85	°C
Storage temperature	T _{stg}	-55~+150	°C
Peak applied voltage	V _{CC} PEAK	50 *	V

* Tr ≥ 1msec, applied time is less than 200 msec.

●Recommended operating conditions (Ta = 25°C)

Parameter	Symbol	Min.	Typ.	Max.	Unit
Recommended power supply voltage	V _{CC}	10	13.2	16	V
Operable voltage	V _{CC}	6.3	13.2	24	V

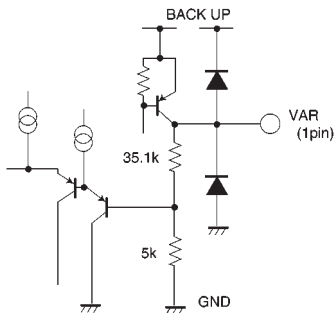
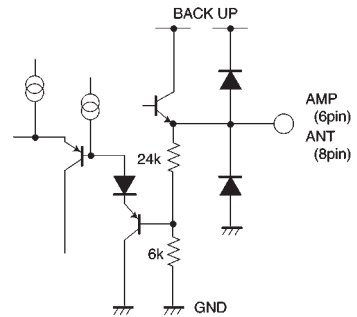
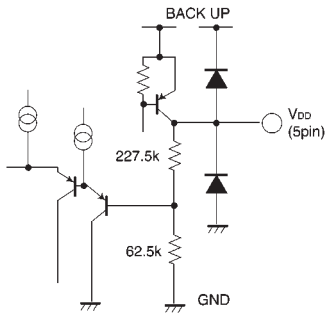
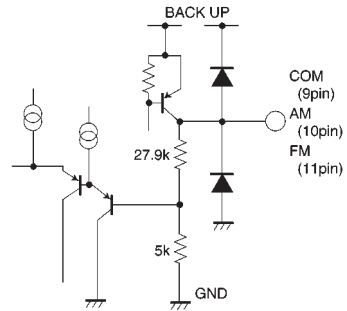
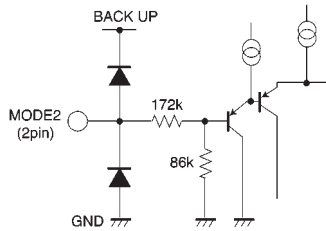
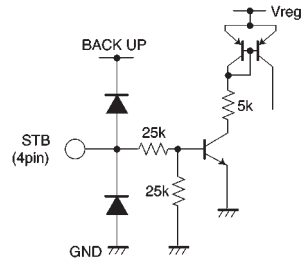
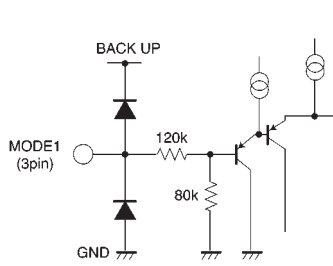
● Block diagram



● Pin descriptions

Pin No.	Pin name	Function
1	VAR output	10.0 V power supply for variable capacitor; maximum output is 12.5 mA.
2	MODE2 SW	RADIO, ANT, and VAR outputs are turned ON when this pin is 5 V.
3	MODE1 SW	FM output is turned ON when this pin is 5 V.
4	STAND BY	COM and AMP outputs are turned on when this pin is 5 V; only V _{DD} is output in standby mode (0 V).
5	V _{DD} output	5.8 V power supply for a microcontroller; maximum output is 100 mA; output is always available if BACKUP power supply is connected.
6	AMP output	Power supply to drive a remote amplifier; a voltage of about 1 V (typical) lower than the V _{CC} pin voltage is provided with a maximum output of 500 mA.
7	V _{CC}	Connected to car BACKUP and ACC power supplies.
8	ANT output	Power supply to drive an antenna; a voltage of about 1 V (typical) lower than the V _{CC} pin voltage is provided with a maximum output of 500 mA.
9	COM output	8.0 V power supply with a maximum output of 150 mA; this can be used as system common power supply (such as tone, volume, and balance control) as well as power supply for cassette player equalizers and electronic tuning variable capacitors.
10	RADIO output	8.0 V main power supply with a maximum output of 250 mA for radio
11	FM output	8.0 V power supply with a maximum output of 250 mA for FM receiver
12	GND	Connected to the IC substrate.

● Input / output circuits



●Electrical characteristics (unless otherwise noted, Ta = 25°C and V_{CC} = 13.2V)

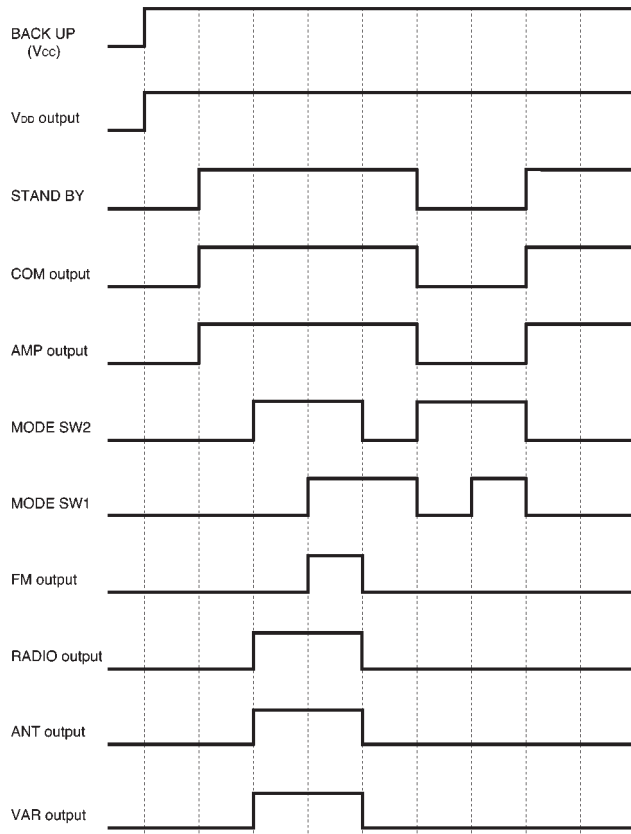
Parameter	Symbol	Min.	Typ.	Max.	Unit	Conditions
Standby supply current	I _{ST}	—	0.55	0.80	mA	STAND BY pin=0 V
Output voltage (V _{DD}) 1	V _{O1}	5.50	5.80	6.10	V	I _{O1} =80mA
Voltage regulation	ΔV _{O11}	—	10	30	mV	V _{CC} =10~16V I _{O1} =80mA
Load regulation	ΔV _{O12}	—	100	180	mV	I _{O1} =10~80mA
Minimum I / O voltage differential	ΔV _{O13}	—	0.3	0.7	V	I _{O1} =80mA
Output current capacity	I _{O1}	100	200	—	mA	V _{O1} ≥5.5V
Ripple rejection ratio	R.R1	50	60	—	dB	f=100Hz VRR=-10dBV
Output voltage (COM) 2	V _{O2}	7.60	8.00	8.40	V	I _{O2} =120mA
Voltage regulation	ΔV _{O21}	—	10	30	mV	V _{CC} =10~16V I _{O2} =120mA
Load regulation	ΔV _{O22}	—	90	180	mV	I _{O2} =10~120mA
Minimum I / O voltage differential	ΔV _{O23}	—	0.4	0.7	V	I _{O2} =120mA
Output current capacity	I _{O2}	150	300	—	mA	V _{O2} ≥7.60V
Ripple rejection ratio	R.R2	50	60	—	dB	f=100Hz VRR=-10dBV
I / O voltage differential (AMP) 3	ΔV _{O31}	—	1	1.5	V	I _{O3} =400mA
Load regulation	ΔV _{O32}	—	350	600	mV	I _{O3} =10~400mA
Output current capacity	I _{O3}	500	900	—	mA	V _{O3} ≥11.7V
I / O voltage differential (ANT) 4	ΔV _{O41}	—	1	1.5	V	I _{O4} =400mA
Load regulation	ΔV _{O42}	—	350	600	mV	I _{O4} =10~400mA
Output current capacity	I _{O4}	500	900	—	mA	V _{O4} ≥11.7V
Output voltage (RADIO) 5	V _{O5}	7.60	8.00	8.40	V	I _{O5} =120mA
Voltage regulation	ΔV _{O51}	—	10	30	mV	V _{CC} =10~16V I _{O5} =120mA
Load regulation	ΔV _{O52}	—	90	180	mV	I _{O5} =10~120mA
Minimum I / O voltage differential	ΔV _{O53}	—	0.4	0.7	V	I _{O5} =120mA
Output current capacity	I _{O5}	250	500	—	mA	V _{O5} ≥7.60V
Ripple rejection ratio	R.R5	50	60	—	dB	f=100Hz VRR=-10dBV
Output voltage (FM) 6	V _{O6}	7.60	8.00	8.40	V	I _{O6} =200mA
Voltage regulation	ΔV _{O61}	—	20	60	mV	V _{CC} =10~16V I _{O6} =200mA
Load regulation	ΔV _{O62}	—	90	180	mV	I _{O6} =10~200mA
Minimum I / O voltage differential	ΔV _{O63}	—	0.4	0.7	V	I _{O6} =200mA
Output current capacity	I _{O6}	250	500	—	mA	V _{O6} ≥7.60V
Ripple rejection ratio	R.R6	45	55	—	dB	f=100Hz VRR=-10dBV

Parameter	Symbol	Min.	Typ.	Max.	Unit	Conditions
Output voltage (VAR) 7	V_{O7}	9.50	10.00	10.50	V	$I_{O7}=10\text{mA}$
Voltage regulation	ΔV_{O71}	—	1	15	mV	$V_{CC}=10\sim 16\text{V}$ $I_{O7}=10\text{mA}$
Load regulation	ΔV_{O72}	—	30	80	mV	$I_{O7}=0\sim 10\text{mA}$
Minimum I / O voltage differential	ΔV_{O73}	—	0.3	0.7	V	$I_{O7}=10\text{mA}$
Output current capacity	I_{O7}	12.5	25	—	mA	$V_{O7}\geq 9.50\text{V}$
Ripple rejection ratio	R.R7	50	60	—	dB	$f=100\text{Hz}$ $VRR=10\text{dBV}$
〈Input (STAND BY)〉						
Standby level	V_{TH1-1}	—	—	1.1	V	—
Active level	V_{TH1-2}	1.7	—	—	V	—
Input high level current	I_{IN1}	100	175	250	μA	$V_{TH1}=5\text{V}$
〈Input (MODE 2 SW)〉						
Standby level	V_{TH2-1}	—	—	1.6	V	—
Active level	V_{TH2-2}	2.4	—	—	V	—
Input high level current	I_{IN2}	13	25	37	μA	$V_{TH2}=5\text{V}$
〈Input (MODE 1 SW)〉						
Level when FM OFF	V_{TH3-1}	—	—	1.1	V	—
Level when FM ON	V_{TH3-2}	2.7	—	—	V	—
Input high level current	I_{IN3}	13	25	37	μA	$V_{TH3}=5\text{V}$

©Not designed for radiation resistance.

*Set output current to less than the minimum value of output current capacity.

● Input / output timing chart



● Estimate of allowable power dissipation.

Except under transitional conditions, the power dissipation of this IC is 3W per unit at 25°C.

See Fig.3 for thermal derating characteristics, including some cases where heat sinks are used.

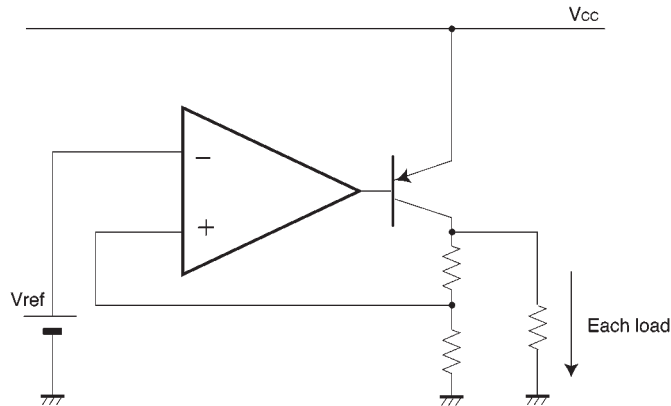


Fig.1

A = maximum output voltage for V_{CC}

I_1 = maximum output current for V_{DD}

I_2 = maximum output current for COM

I_3 = maximum output current for AMP

I_4 = maximum output current for ANT

I_5 = maximum output current for RADIO

I_6 = maximum output current for FM

I_7 = maximum output current for VAR

- Power consumed by V_{DD} 5.8V $P_1 = (A - 5.8V) \times I_1 + (I_1 / 20 + I_1 / 10) \times A$
- Power consumed by COM 8.0V $P_2 = (A - 8.0V) \times I_2 + (I_2 / 30 + I_2 / 10) \times A$
- Power consumed by AMP $P_3 = 1V \times I_3 + (22mA) \times A$
- Power consumed by ANT $P_4 = 1V \times I_4 + (22mA) \times A$
- Power consumed by RADIO 8.0V $P_5 = (A - 8.0V) \times I_5 + (I_5 / 60 + I_5 / 10) \times A$
- Power consumed by FM 8.0V $P_6 = (A - 8.0V) \times I_6 + (I_6 / 60 + I_6 / 10) \times A$
- Power consumed by VAR 10.0V $P_8 = (A - 10.0V) \times I_7 + (I_7 / 10 + I_7 / 10) \times A$
- Power consumed internally by each circuit $P_7 = V_{CC} \times \text{supply current (about 13mA)}$

$$P_{Max.} = P_1 + P_2 + P_3 + P_4 + P_5 + P_6 + P_7 + P_8$$

● Operation notes

(1) Although the quality of this IC is rigorously controlled, the IC may be destroyed when supply voltage or operating temperature exceeds its absolute maximum rating. Because short mode or open mode cannot be specified when the IC is destroyed, be sure to take physical safety measures such as fusing if special mode is expected.

(2) Example of application

The application circuit of Fig. 2 is recommended for use. Make sure to confirm the adequacy of parts characteristics. When using the circuit with changes to external circuit constants, make sure to leave sufficient margins in consideration of fluctuations in the IC and external components including static and transitional characteristics. Note that ROHM has not carried out extensive survey regarding the patent right of this application.

(3) Operating power supply voltage

When operating within proper ranges of power supply voltage and ambient temperature, most circuit functions are guaranteed. Although the rated values of electrical characteristics cannot be absolutely guaranteed, characteristic values do not change drastically within the proper ranges.

(4) Power dissipation (Pd)

Refer to the heat reduction characteristics and the rough estimation of IC power dissipation given on separate pages. Make sure your design allows the maximum required power within the operating temperature range.

(5) Overvoltage protection circuit

The overvoltage protection circuit turns OFF each output when the potential difference between V_{CC} (pin 7) and GND (pin 12) is more than about 26V at normal temperature. Make sure to use the IC within this voltage limit.

(6) Preventing oscillation at each output

To stop oscillation of output, make sure to connect a capacitor having a capacitance of 10 μ F or greater between GND and each of the V_{DD} (pin 5), COM (pin 9), RADIO (pin 10), FM (pin 11), and VAR (pin 1) output pins. We recommend using a tantalum electrolytic capacitor whose capacitance is unsusceptible to temperature.

(7) Overcurrent protection circuit

An overcurrent protection circuit is installed on the V_{DD} (pin 5), AMP (pin 6), ANT (pin 8), COM (pin 9), RADIO (pin 10), FM (pin 11), and VAR (pin 1) outputs, based on the respective output current. This prevents IC destruction by overcurrent, by limiting the current with a curve shape of "7" in the voltage-current graph. The IC is designed with margins so that current flow will be restricted and latching will be prevented even if a large current suddenly flows through a large capacitor. The circuit should be carefully set because output current is further restricted when output voltage is less than $1V_F$ (considered as short mode).

(8) Thermal shutdown circuit

The thermal shutdown circuit prevents thermal damage to the IC. All outputs except V_{DD} are switched OFF when the circuit operates, and revert to the original state when the chip temperature drops to a certain level.

(9) Output circuit configurations

Each of the V_{DD} (pin 5), COM (pin 9), RADIO (pin 10), FM (pin 11), and VAR (pin 1) output circuits has a PNP power transistor. A measure is taken to protect the IC in case the voltage of V_{CC} (pin 7) drops and the output-side voltage becomes greater than the V_{CC} -side voltage due to the output-side external transistor.

(10) Grounding

Each ground line in the application circuit of Fig. 2 must be adequately short from GND (pin 12). Make sure to arrange the ground traces in a pattern that prevents mutual interference.

●Electrical characteristic curves

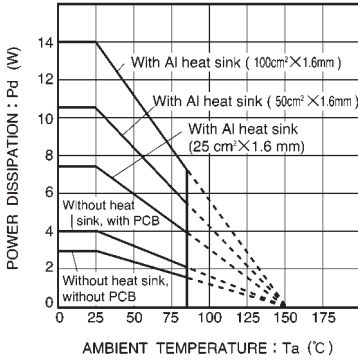


Fig.3 Thermal derating characteristic

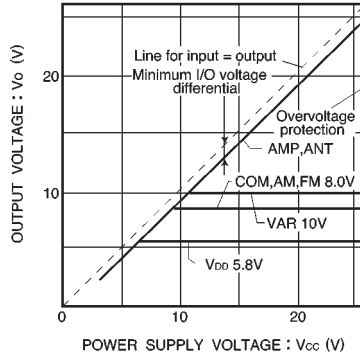


Fig. 4 Output voltage vs. power supply voltage

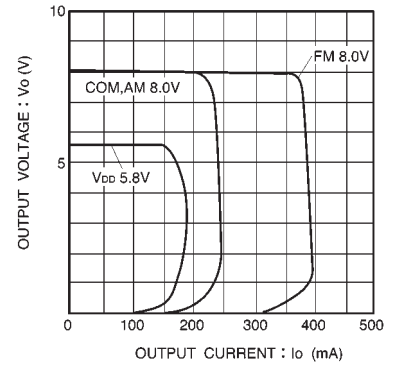


Fig. 5 Output voltage vs. output current

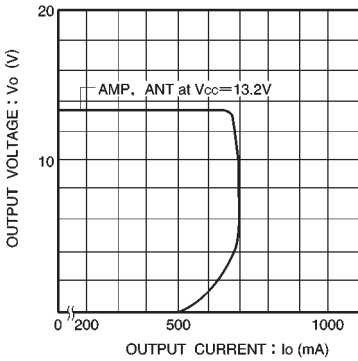


Fig. 6 Output voltage vs. output current

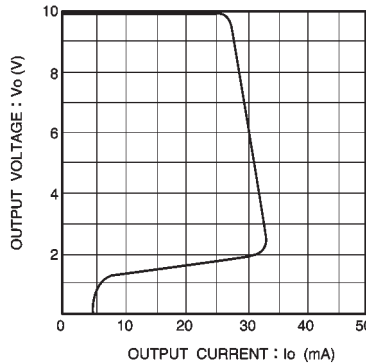


Fig. 7 VAR output voltage vs. output current

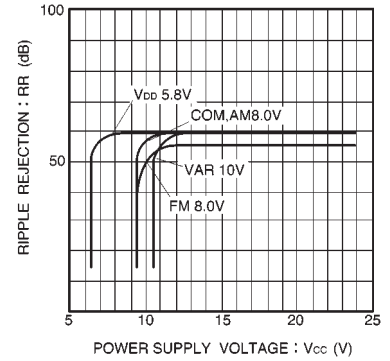
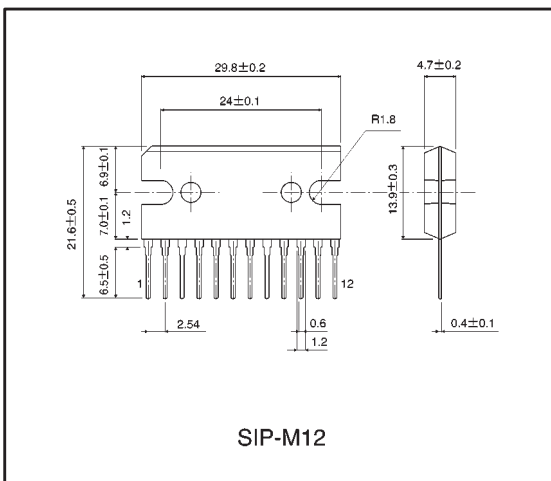


Fig. 8 Ripple rejection ratio vs. power supply voltage

●External dimensions (Units: mm)





LittleDiode supplies new, hard to find or obsolete electronic components and semiconductors all over the world.

With over two million different components listed you are sure to find the part you need.

Feel free to visit us today at our online store:

LittleDiode.com

Looking forward to providing you with the best possible service.