

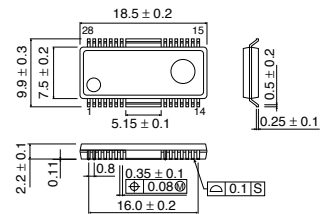
IC for Compact Disc Players

BA5947FP

● Description

The BA5947FP is a 4-channel BTL driver developed for compact disc players. 3 out of 4 channels are PWM input direct connection type and incorporate primary filter.

● Dimension (Unit : mm)



HSOP28

● Features

- 1) 4-channel BTL driver
- 2) Set space saving by adoption of HSOP28
- 3) Built-in OP amp.
- 4) Wide dynamic range
- 5) Built-in thermal shutdown circuit
- 6) High efficient supply voltage setting due to independent supply (Pre Vcc, Pow Vcc of CH1, CH2 and Pow Vcc of CH3, CH4)
- 7) For CH4, input pin can be switched by SW pin

● Applications

Compact disc players, Other optical disc appliances

● Absolute Maximum Ratings (Ta=25°C)

Parameter	Symbol	Limits	Unit
Supply voltage	Vcc	13.5	V
Power dissipation	Pd	1.7 *	W
Operating temperature range	Topr	-35 ~ +85	°C
Storage temperature range	Tstg	-55 ~ +150	°C

*Derating : 13.6mW/°C for operation above Ta=25°C

*On less than 3% (percentage occupied by copper foil), PCB (70mmx70mm, t=1.6mm) glass epoxy mounting.

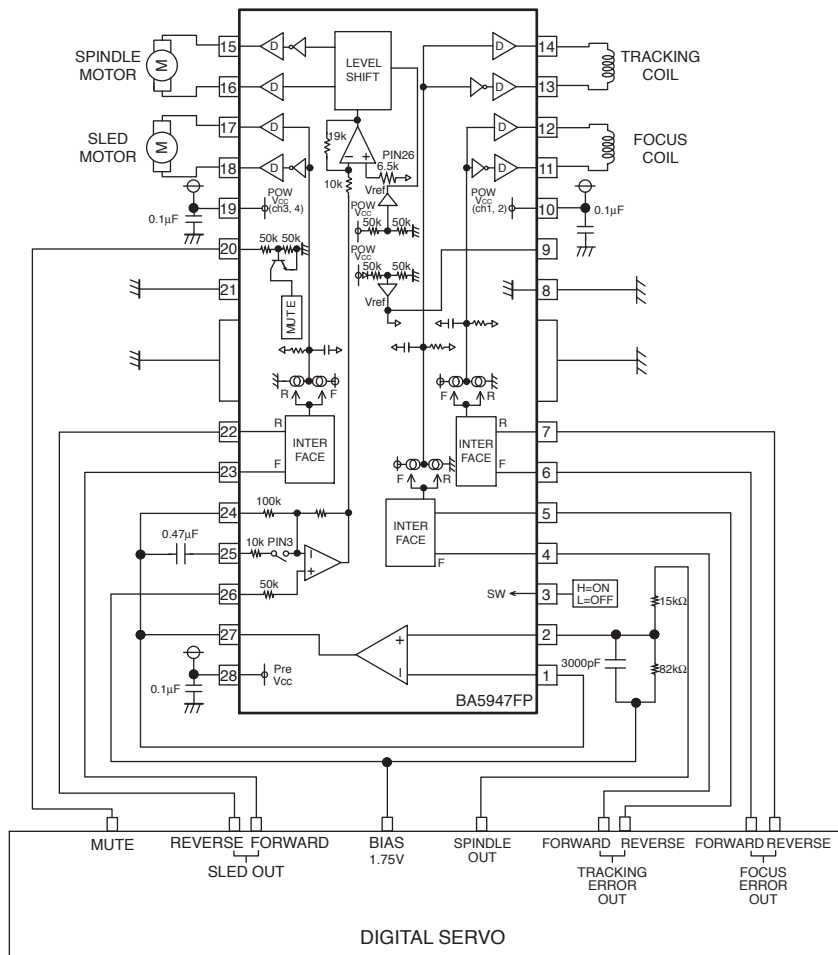
● Operating power supply voltage range (Ta=25°C)

Parameter	Min.	Typ.	Max.	Unit
Pre Vcc	6.0	—	13.2	V
Pow Vcc	6.0	—	Pre Vcc	V

● Electrical characteristics (Unless otherwise noted; Ta=25°C, Vcc=8V, RL=8Ω, Vb=VOP±1.75V)

Parameter	Symbol	Min.	Typ.	Max.	Unit	Conditions
Quiescent dissipation current	I _Q	—	17.0	25.0	mA	No load
Internal Vref pin voltage	VREF	3.40	3.70	4.00	V	
<Driver except spindle driver (CH1,2,3)>						
Output offset voltage	V _{OO}	-30	—	30	mV	
Maximum output amplitude	V _{OM}	4.4	5.0	5.6	V	V _f =5V, V _r =0V
Spindle driver (CH4)						
Output offset voltage	V _{OO4}	-50	—	50	mV	V _{IN4} =V _b
Maximum output amplitude	V _{OM}	—	5.4	—	V	V _b =4V
Voltage gain	GVC	9.3	11.3	13.3	dB	
<OP amp.>						
Offset voltage	V _O FOP	-5	0	5	mV	
Output driving current sink	I _{sink}	2.0	9.0	—	mA	
Output driving current source	I _{SOURCE}	7.0	13.0	—	mA	

● Application Circuit



This datasheet has been downloaded from:

www.DatasheetCatalog.com

Datasheets for electronic components.



LittleDiode supplies new, hard to find or obsolete electronic components and semiconductors all over the world.

With over two million different components listed you are sure to find the part you need.

Feel free to visit us today at our online store:

LittleDiode.com

Looking forward to providing you with the best possible service.