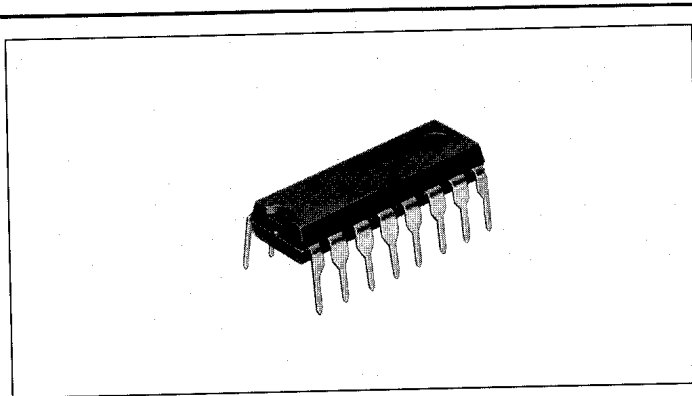


LED Driver
BA618



Dimensions (mm)

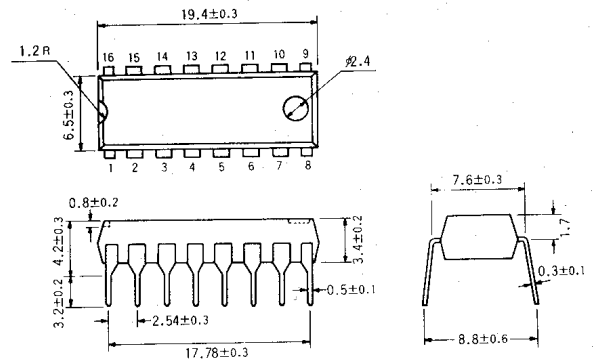


Fig. 1

The BA618 is a monolithic integrated circuit consisting of 7 positive-logic 7-segment LED display driver circuits. It is housed in a 16-pin DIP package with inputs and outputs aligned for easy mounting and PC board layout.

Features

1. 7 built-in circuits
2. Large-current driving capacity (100mA)
3. Inputs and outputs are aligned for easy mounting.
4. Directly connectable to TTL devices

Applications

1. LED drivers
2. Relay drivers

Block Diagram

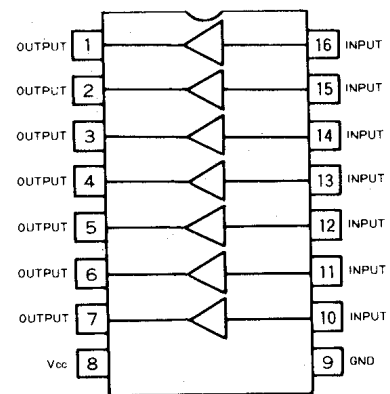


Fig. 2

Absolute Maximum Ratings (T_a = 25°C)

Parameter	Symbol	Limits	Unit
Supply voltage	V _{CC}	16	V
Power dissipation	P _d	500	mW
Operating temperature	T _{opr}	-20~+75	°C
Storage temperature	T _{stg}	-55~+125	°C
Maximum drive current	I _{OUT}	100	mA
Input voltage	V _{IN}	-0.5~+16	V

Circuit Diagram

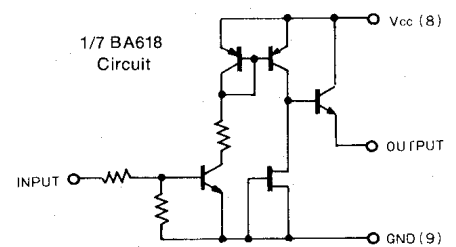


Fig. 3

Electrical Characteristics (T_a = 25°C, V_{CC} = 10V, R_L = 100Ω)

Parameter	Symbol	Min	Typ	Max	Unit	Conditions	Test circuit
Low-level circuit current	I _{CC (OFF)}	—	—	500	μA	V _{IN} = 0V	Fig. 6
High-level input current	I _{IN (ON)}	—	0.4	0.8	mA	V _{IN} = 5V, V _{OUT} ≥ 8.5V	Fig. 6
High-level input voltage	V _{IN (ON)}	—	1.9	3.0	V	V _{OUT} ≥ 8.5V (R _L = 200Ω)	Fig. 6
Low-level output voltage	V _{IN (OFF)}	0.8	1.5	—	V	V _{OUT} ≤ 3.0mA	Fig. 6
High-level output voltage	V _{OUT (IN)}	8.5	8.9	—	V	V _{IN} = 3.0V	Fig. 6
Low-level output current	I _{OL (OFF)}	—	—	30	μA	V _{IN} = 0.8V	Fig. 6