

Hex buffer / driver

BA6267 / BA6267F

The BA6267 and BA6267F can be connected with a high-voltage circuit such as the MOS and can be used to drive high-current circuits such as lamps and relays. It can also be used as a buffer to drive TTL input.

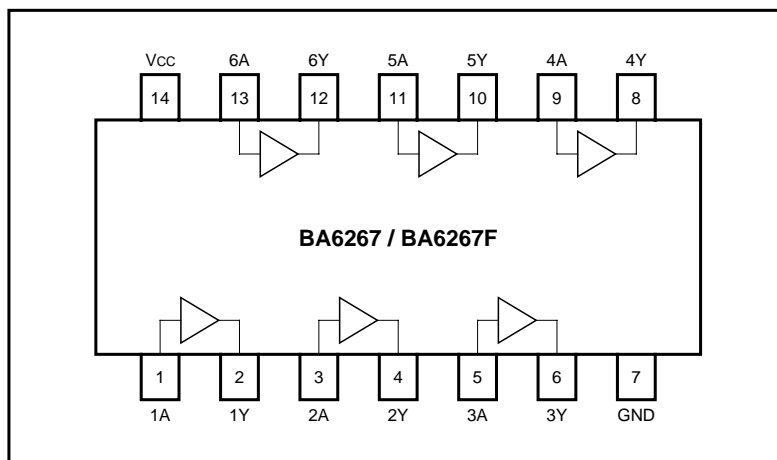
●Applications

Drivers such as lamps and relays
TTL input buffers

●Features

- 1) The pin layout is compatible with the SN7417.
- 2) Incorporates 6 circuits

●Block diagram



●Absolute maximum ratings (Ta = 25°C)

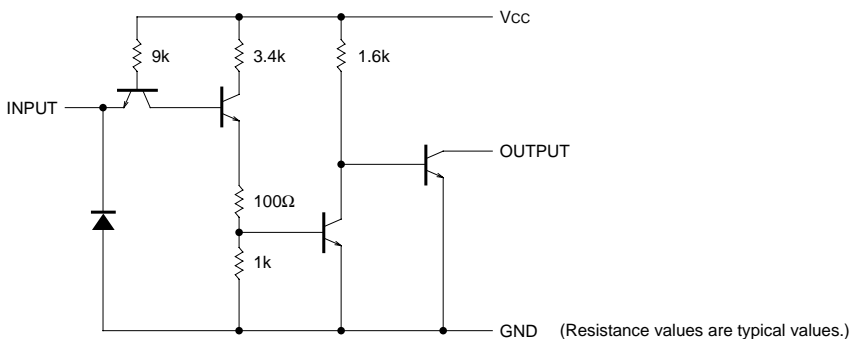
Parameter	Symbol	Limits	Unit
Applied voltage	V _{cc}	7.0	V
Power dissipation	BA6267	600*1	mW
	BA6267F	550*2	
Operating temperature	T _{opr}	0 ~ 70	°C
Storage temperature	T _{stg}	- 55 ~ + 125	°C
Input voltage	V _i	- 0.3 ~ + 5.5	V
Output terminal voltage	V _o	18	V

*1 Reduced by 6.0mW for each increase in Ta of 1°C over 25°C.

*2 Reduced by 5.5mW for each increase in Ta of 1°C over 25°C.

When mounted on a 50mm × 50mm × 1.6mm glass epoxy PCB.

● Input / output circuit



● Recommended operating conditions

Parameter	Symbol	Min.	Typ.	Max.	Unit
Power supply voltage	V_{CC}	4.75	5.0	5.25	V
Input high level voltage	V_{IH}	2.0	—	—	V
Input low level voltage	V_{IL}	—	—	0.8	V
Output voltage	V_O	—	—	15	V

● Electrical characteristics (unless otherwise noted, $T_a = 25^\circ\text{C}$, $V_{CC} = +5.0\text{V}$)

Parameter	Symbol	Min.	Typ.	Max.	Unit	Conditions
Input high level voltage	V_{IH}	2	—	—	V	—
Input low level voltage	V_{IL}	—	—	0.8	V	—
Input high level current	I_{IH}	—	15	40	μA	$V_{CC} = 5.25\text{V}$, $V_{IH} = 2.4\text{V}$
Input low level current	I_{IL}	—	-0.33	-1.6	mA	$V_{CC} = 5.25\text{V}$, $V_{IL} = 0.4\text{V}$
Maximum input current	I_i	—	0.02	1	mA	$V_{CC} = 5.25\text{V}$, $V_i = 5.5\text{V}$
Input clamp voltage	V_{IK}	—	-0.9	-1.5	V	$V_{CC} = 4.75\text{V}$, $I_i = -12\text{mA}$
Output saturation voltage	V_{OL1}	—	0.13	0.4	V	$V_{CC} = 4.75\text{V}$, $I_{OL} = 16\text{mA}$
Output saturation voltage	V_{OL2}	—	0.32	0.7	V	$V_{CC} = 4.75\text{V}$, $I_{OL} = 40\text{mA}$
Output leakage current	I_{OH}	—	2	250	μA	$V_{CC} = 4.75\text{V}$, $V_{OH} = 15\text{V}$
Supply current 1	I_{CCH}	—	23	41	mA	Total current when all outputs at "H"
Supply current 2	I_{CCL}	—	16	30	mA	Total current when all outputs at "L"
Supply current 3	I_{CC}	—	3.25	6	mA	Average current per gate when the duty cycle is 50%
Output delay time 1	t_{PLH}	—	150	—	ns	$C_L = 15\text{pF}$, $R_L = 110\Omega$
Output delay time 2	t_{PHL}	—	20	—	ns	$C_L = 15\text{pF}$, $R_L = 110\Omega$

●Measurement conditions

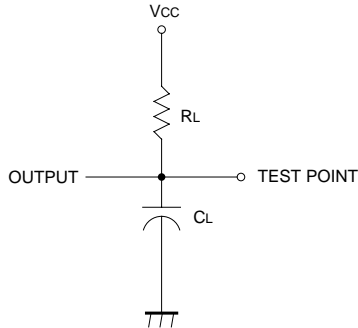


Fig.1 Load circuit

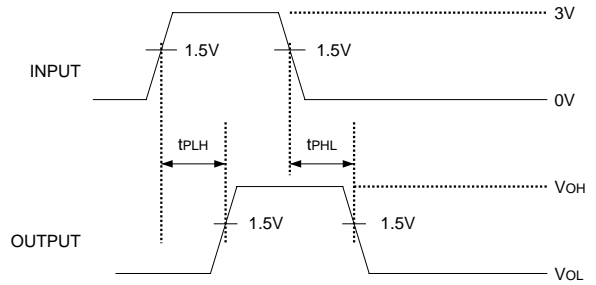


Fig.2 Output delay time

●Electrical characteristic curves

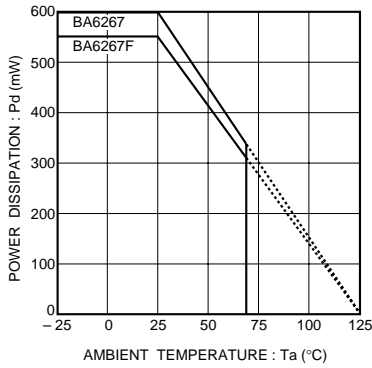


Fig.3 Power dissipation vs. ambient temperature

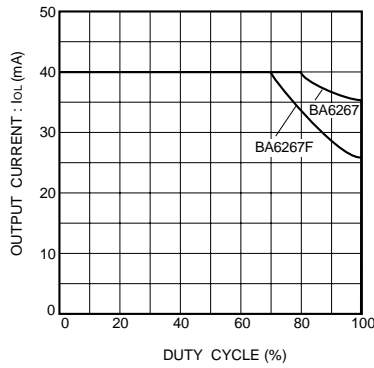
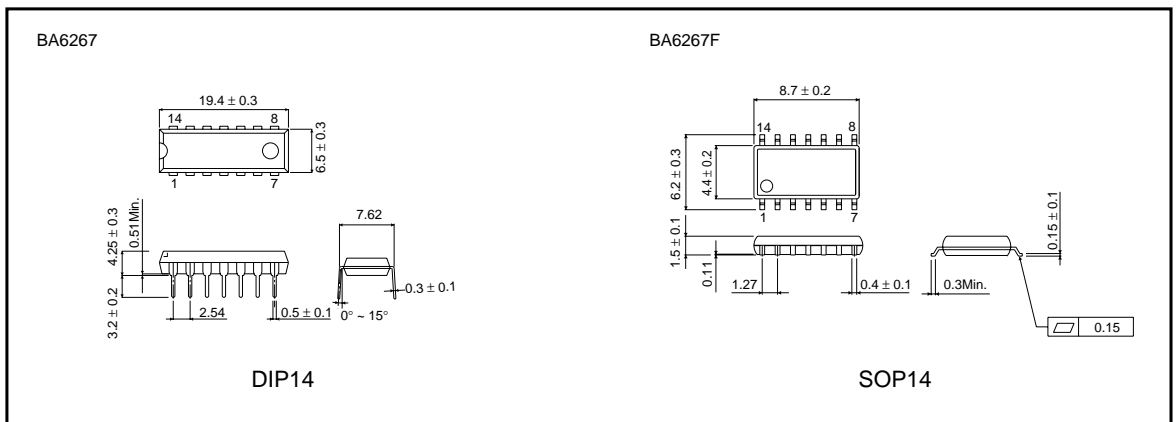


Fig.4 Output conditions

●External dimensions (Units: mm)



This datasheet has been downloaded from:

www.DatasheetCatalog.com

Datasheets for electronic components.



LittleDiode supplies new, hard to find or obsolete electronic components and semiconductors all over the world.

With over two million different components listed you are sure to find the part you need.

Feel free to visit us today at our online store:

LittleDiode.com

Looking forward to providing you with the best possible service.