

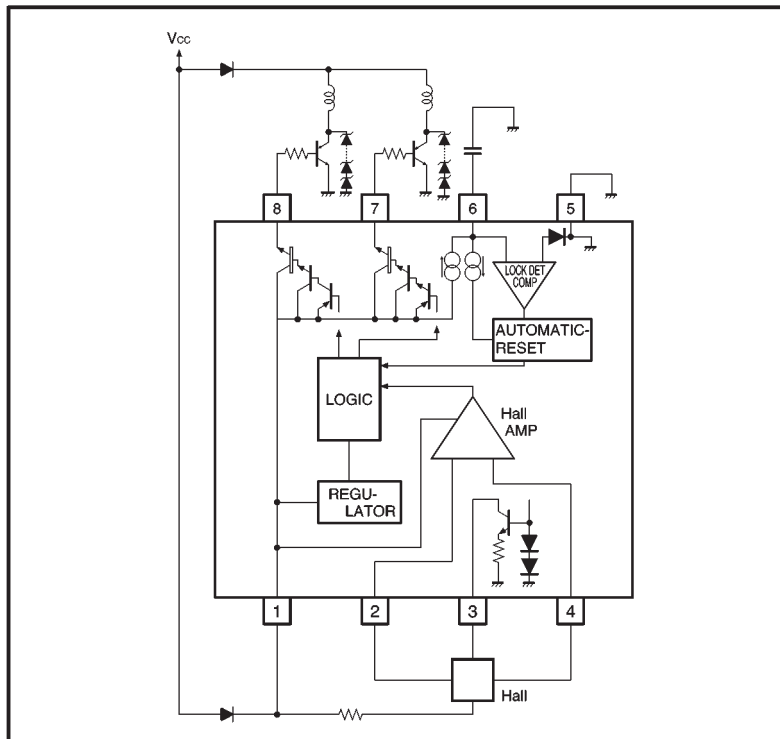
2-phase half-wave motor predriver BA6404F

The BA6404F is a 2-phase, half-wave motor predriver suited for fan motors.

●Features

- 1) Lock detection and rotational speed sensing mechanisms are built in.
- 2) Hall constant current source is built in.
- 3) Compact 8-pin SOP package reduces the number of external components required.
- 4) Automatic restart when the motor lock is undone.

●Block diagram and application example



● Absolute maximum ratings (Ta = 25°C)

Parameter	Symbol	Limits	Unit
Applied voltage	V _{CC}	30	V
Power dissipation	P _d	450*	mW
Operating temperature	T _{opr}	-20~+80	°C
Storage temperature	T _{stg}	-55~+125	°C
Output current	I _{Omax}	70	mA

* Reduced by 4.5 mW for each increase in Ta of 1°C over 25 °C.

● Operating power supply voltage range (Ta = 25°C)

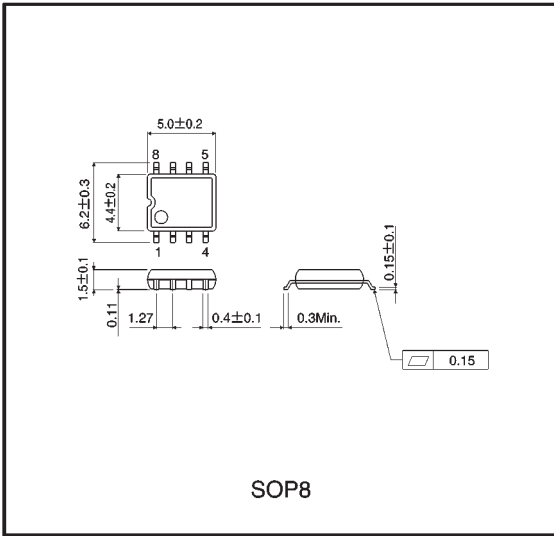
Parameter	Symbol	Min.	Typ.	Max.	Unit	Conditions
Applied voltage	V _{CC}	4	—	28	V	Operate within the allowable power dissipation for -20 °C < Ta < 80 °C
Input voltage *	V _{BH}	0.8	—	V _{CC} -0.2	V	—

* Input voltage range includes the amplitude of signal.

● Electrical characteristics (unless otherwise noted, Ta = 25°C and V_{CC} = 12V)

Parameter	Symbol	Min.	Typ.	Max.	Unit	Conditions
Supply current	I _{CC}	—	3.2	5.0	mA	When output is OFF
Hall amplifier input hysteresis (+)	V _{hys} ⁺	3	—	15	mV	Pin2 voltage with respect to pin4 voltage, V _B = 6 V
Hall amplifier input hysteresis (-)	V _{hys} ⁻	-3	—	-15	mV	Pin2 voltage with respect to pin4 voltage, V _B = 6 V
Pin3 constant current	I ₃	5	6.8	10	mA	V _{3pin} =V _{CC}
Pin6 charge current	I _{6c}	4.0	7.7	12	μA	V _{6pin} =1.5V
Pin6 discharge current	I _{6d}	0.8	1.45	2.3	μA	V _{6pin} =1.5V
Pin6 charge/discharge ratio	r _{cd}	3	5.2	8	—	I _{6c} / I _{6d}
Pin6 clamp voltage	V _{6CL}	2.2	2.6	3.0	V	—
Pin6 comparator voltage	V _{6CP}	0.4	0.6	0.8	V	—
Pin7 Output high level voltage	V _{7H}	10	10.5	—	V	I _o =10mA
Pin8 Output high level voltage	V _{8H}	10	10.5	—	V	I _o =10mA

● External dimensions (Units: mm)





LittleDiode supplies new, hard to find or obsolete electronic components and semiconductors all over the world.

With over two million different components listed you are sure to find the part you need.

Feel free to visit us today at our online store:

LittleDiode.com

Looking forward to providing you with the best possible service.