

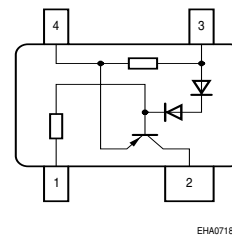
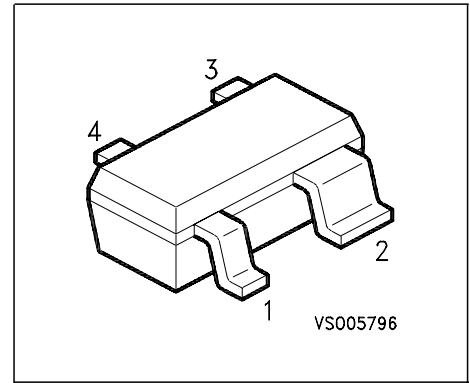
**Active Bias Controller**

**Characteristics**

- Supplies stable bias current even at low battery voltage and extreme ambient temperature variation
- Low voltage drop of 0.7V

**Application notes**

- Stabilizing bias current of NPN transistors and FET's from less than 0.2mA up to more than 200m.
- Ideal supplement for Sieget and other transistors
- also usable as current source up to 5mA



Type	Marking	Pin Configuration				Package
BCR 400R	W4s	1=GND/ <b>E<sub>NPN</sub></b>	2=Contr/ <b>B<sub>NPN</sub></b>	3V <sub>S</sub>	4=Rext/ <b>C<sub>NPN</sub></b>	SOT-143R

(E<sub>NPN</sub>, B<sub>NPN</sub>, C<sub>NPN</sub> are electrodes of a stabilized NPN transistor)

**Maximum Ratings**

Parameter	Symbol	Value	Unit
Source voltage	V <sub>S</sub>	18	V
Control current	I <sub>Contr.</sub>	10	mA
Control voltage	V <sub>Contr.</sub>	16	V
Reverse voltage between all terminals	V <sub>R</sub>	0.5	V
Total power dissipation, T <sub>S</sub> = 83 °C	P <sub>tot</sub>	330	mW
Junction temperature	T <sub>j</sub>	150	°C
Storage temperature	T <sub>stg</sub>	-65 ... 150	

**Thermal Resistance**

Junction ambient <sup>1)</sup>	R <sub>thJA</sub>	≤ 280	K/W
Thermal resistance, chip case	R <sub>thJC</sub>	≤ 190	

1) Package mounted on pcb 40mm x 40mm x 1.5mm / 6cm<sup>2</sup> Cu

**Electrical Characteristics at  $T_A=25^\circ\text{C}$ , unless otherwise specified**

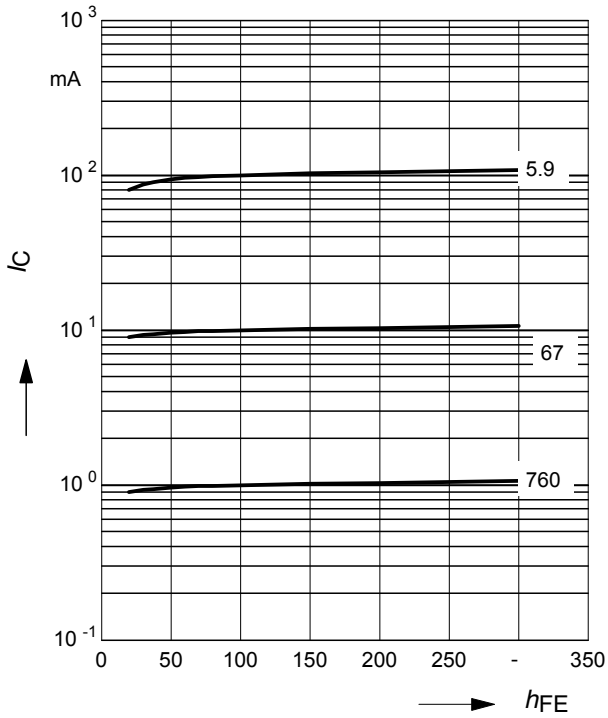
Parameter	Symbol	Values			Unit
		min.	typ.	max.	
<b>DC Characteristics</b>					
Additional current consumption $V_S = 3\text{ V}$	$I_0$	-	20	40	$\mu\text{A}$
Lowest stabilizing current $V_S = 3\text{ V}$	$I_{\text{min}}$	-	0.1	-	$\text{mA}$

**DC Characteristics with stabilized NPN-Transistors**

Lowest sufficient battery voltage $I_B (\text{NPN}) < 0.5\text{ mA}$	$V_{S\text{min}}$	-	1.6	-	V
Voltage drop ( $V_S - V_{CE}$ ) $I_C = 25\text{ mA}$	$V_{\text{drop}}$	-	0.65	-	
Change of $I_C$ versus $h_{FE}$ $h_{FE} = 50$	$\Delta I_C / I_C$	-	0.08	-	$\Delta h_{FE} / h_{FE}$
Change of $I_C$ versus $V_S$ $V_S = 3\text{ V}$	$\Delta I_C / I_C$	-	0.15	-	$\Delta V_S / V_S$
Change of $I_C$ versus $T_A$	$\Delta I_C / I_C$	-	0.2	-	$\%/K$

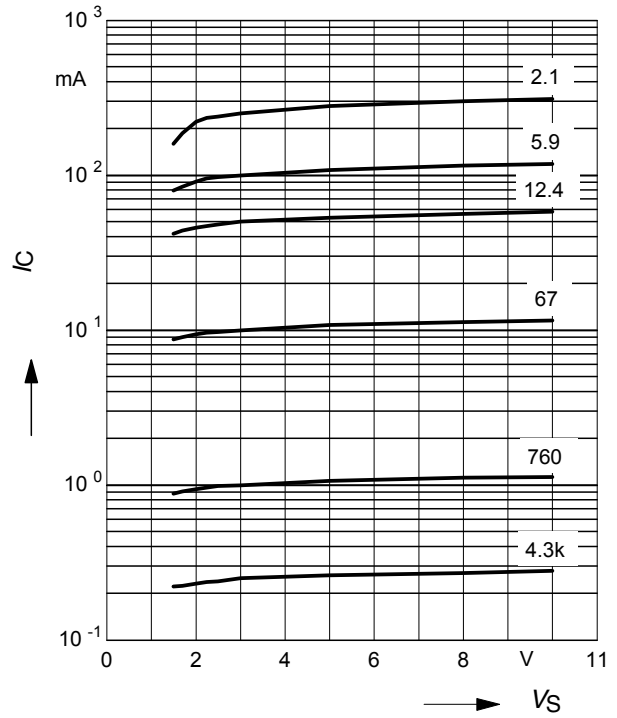
**Collector current  $I_C = f(h_{FE})$**

$I_C$  and  $h_{FE}$  refer to stabilized NPN Transistor  
Parameter  $R_{ext.}$  ( $\Omega$ )

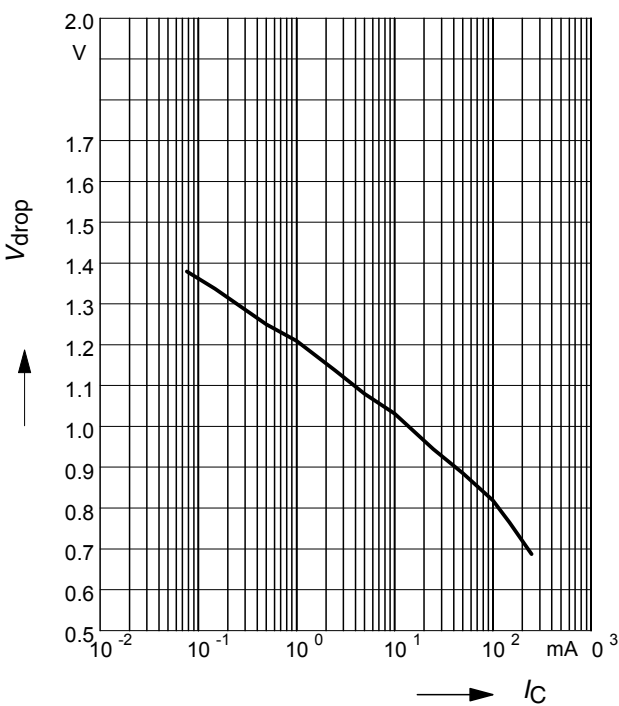


**Collector Current  $I_C = f(V_S)$**

of stabilized NPN Transistor  
Parameter  $R_{ext.}$  ( $\Omega$ )

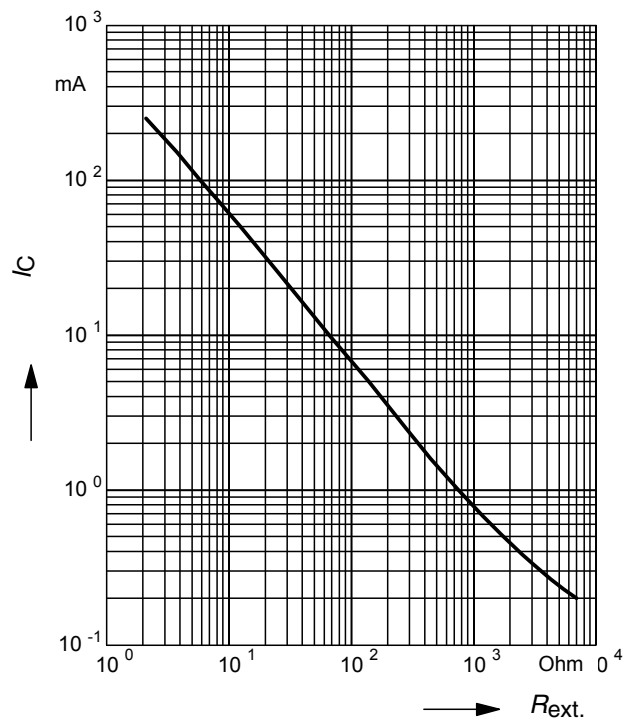


**Voltage drop  $V_{drop} = f(I_C)$**



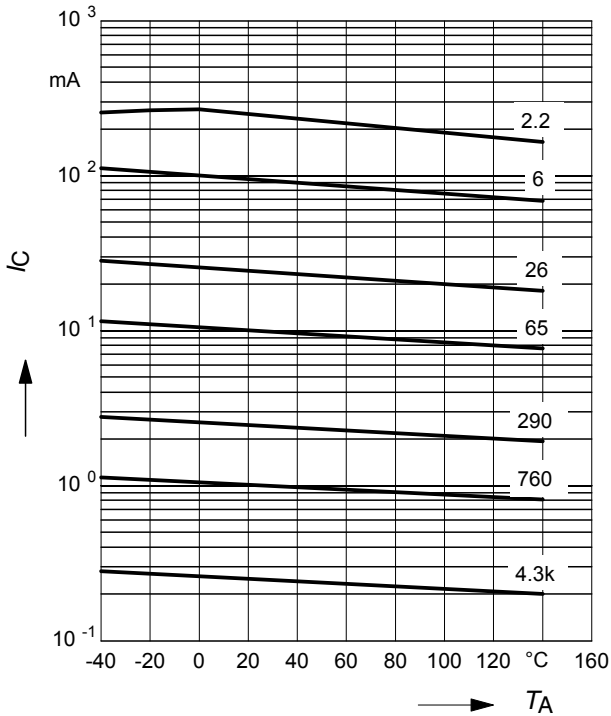
**Collector current  $I_C = f(R_{ext.})$**

of stabilized NPN Transistor

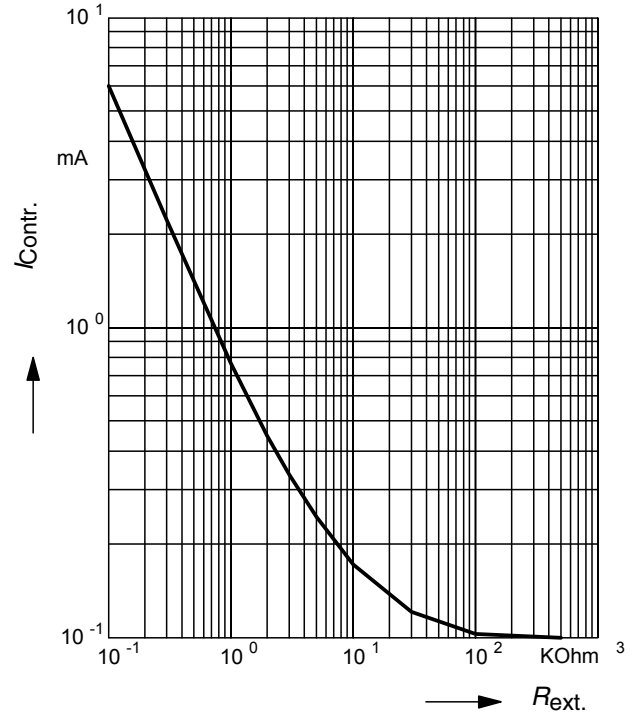


**Collector current  $T_A = f(I_C)$**   
of stabilized NPN Transistor

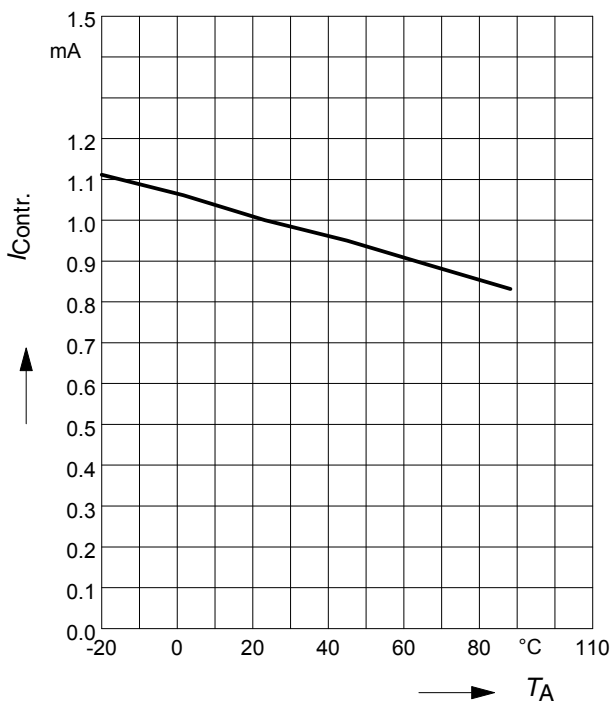
Parameter:  $R_{ext.}(\Omega)$



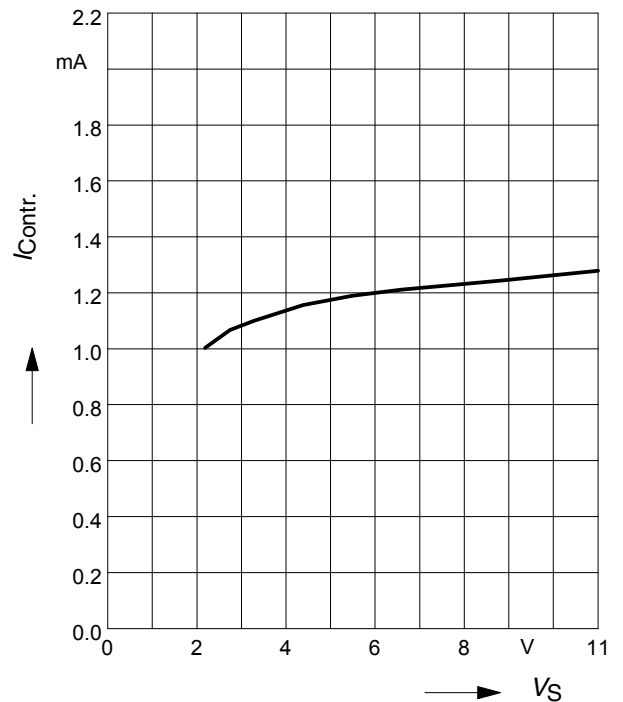
**Control current  $I = f(R_{ext.})$**   
in current source application



**Control current  $I = f(T_A)$**   
in current source application

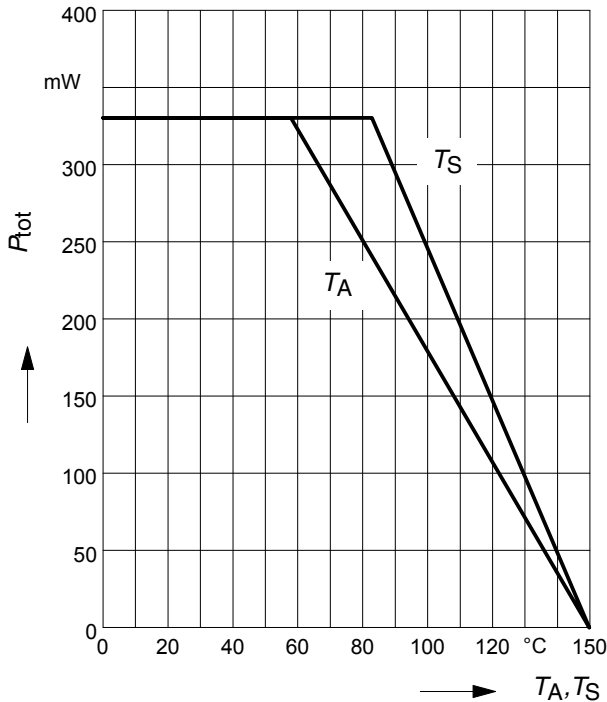


**Control current  $I = f(V_S)$**   
in current source application



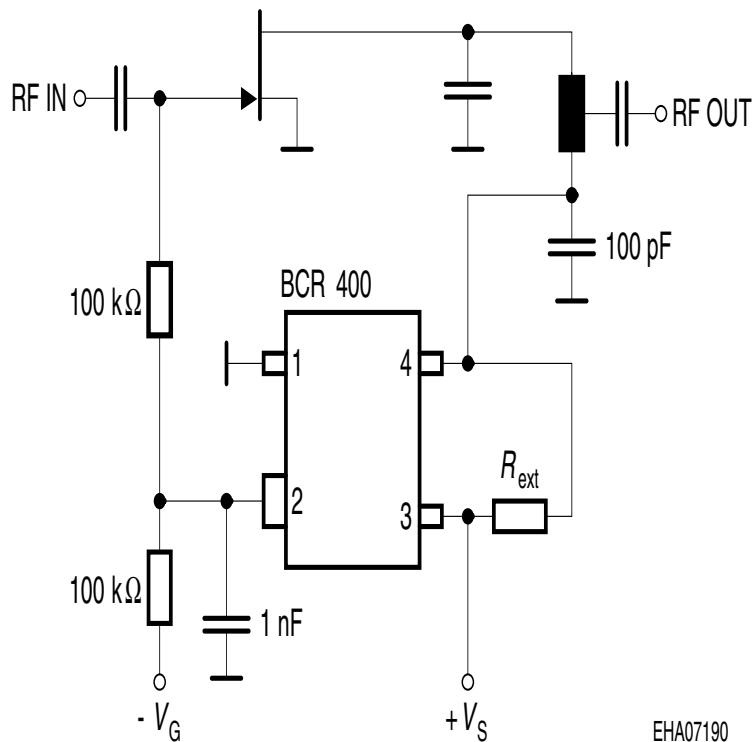
**Total power dissipation  $P_{tot} = f(T_A^*; T_S)$**

\* Package mounted on epoxy



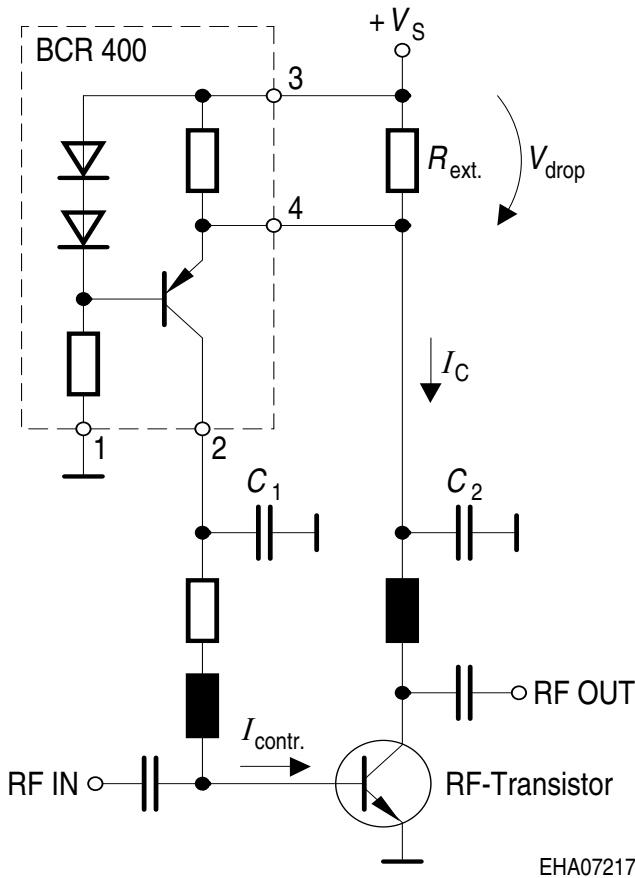
Note that up to  $T_S=115^\circ\text{C}$  it is not possible to exceed  $P_{tot}$  respecting the maximum ratings of  $V_S$  and  $I_{Contr}$ . The collector or drain current (respectively) of the stabilized RF transistor does not affect BCR 400 directly, as it provides just the base current.

**Typical application for GaAs FET with active bias controller**



EHA07190

**RF transistor controlled by BCR 400**

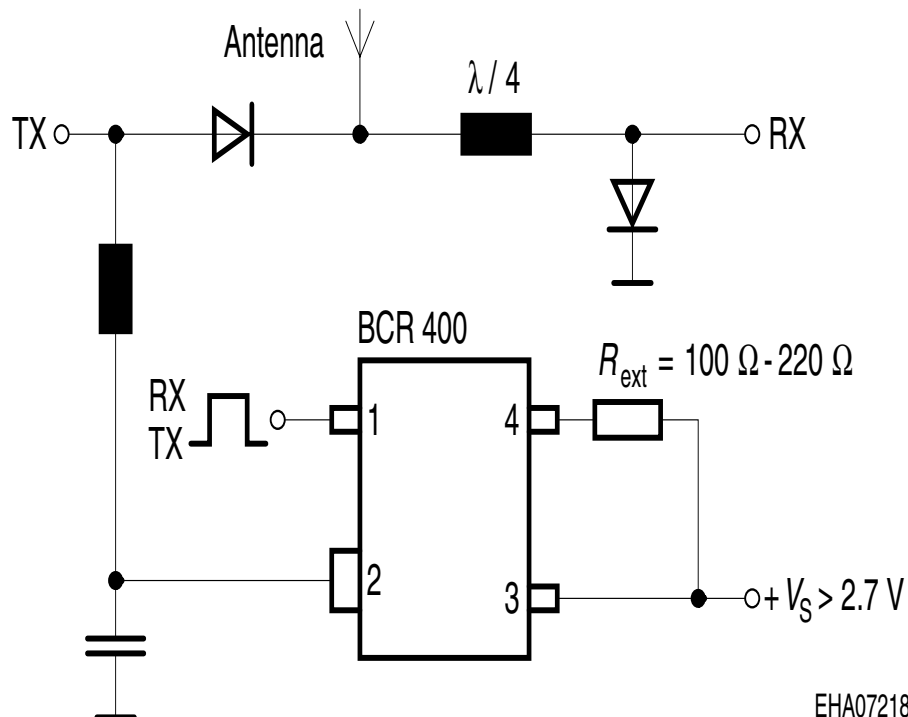


Be aware that BCR 400 stabilized bias current of transistors in an active control loop

In order to avoid loop ascillation (hunting), time constants must be chosen adequately, i.e.  $C1 \geq 10 \times C2$

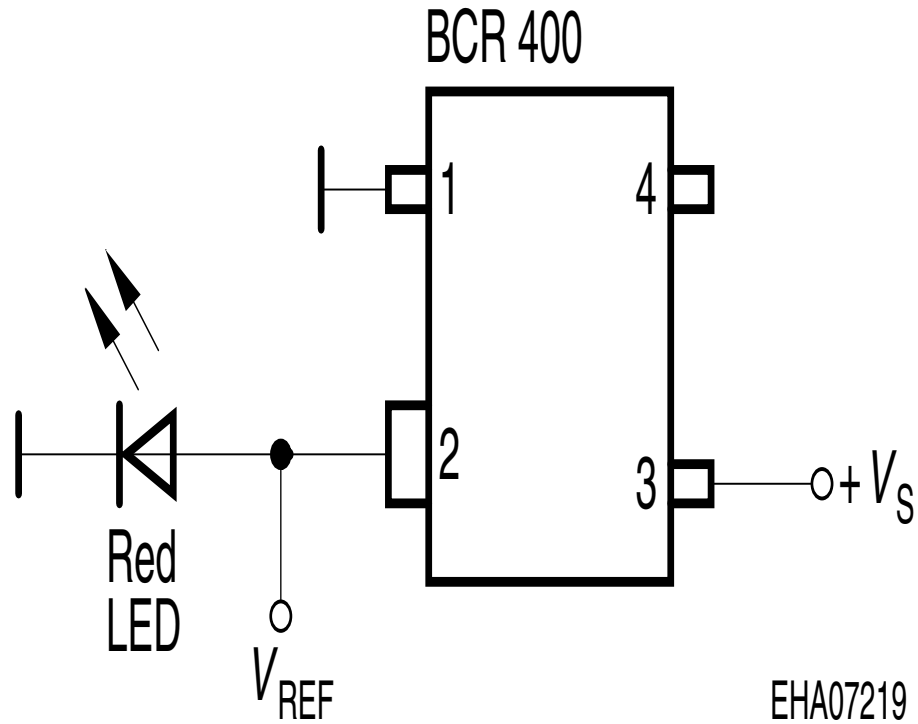
EHA07217

**RX/TX antenna switch, compatible to control logic and working at wide battery voltage range**

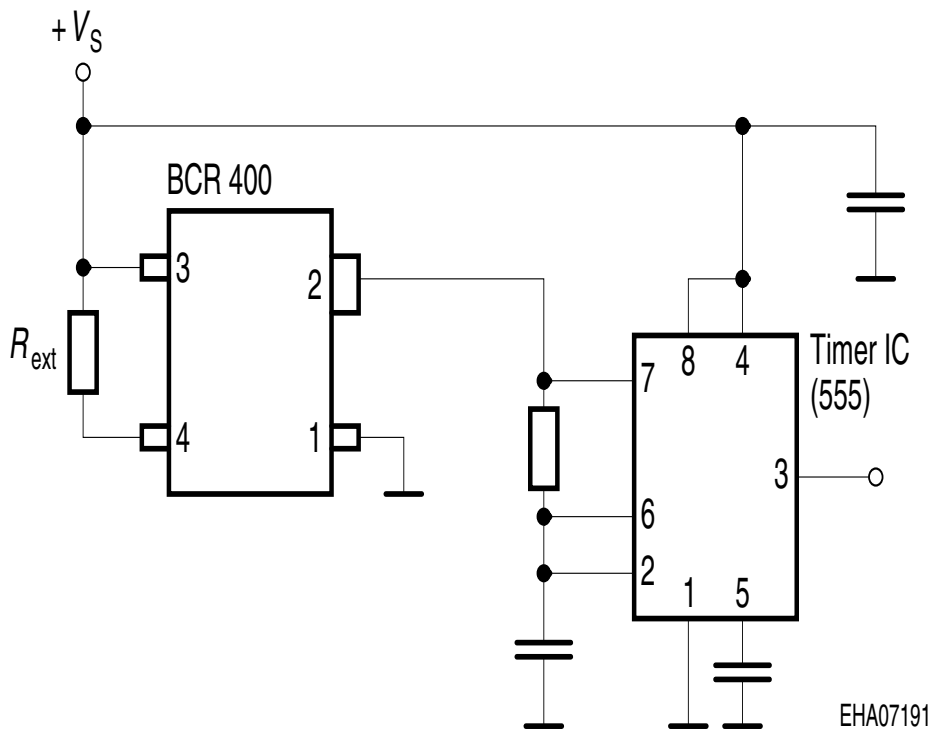


EHA07218

**Low voltage reference**



**Precision timer with BCR 400 providing constant charge current**





LittleDiode supplies new, hard to find or obsolete electronic components and semiconductors all over the world.

With over two million different components listed you are sure to find the part you need.

Feel free to visit us today at our online store:

[LittleDiode.com](http://LittleDiode.com)

Looking forward to providing you with the best possible service.