

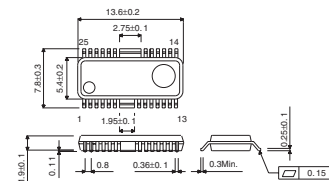
LED driver IC with built-in 16bit shift register

BD7851FP

●Description

The BD7851FP is a constant-current output LED driver that incorporates a shift register and latch circuit, which drives 16 LED lamps. Output value of the constant-current can be set from 1mA to 50mA (Max.) by a single external resistor. In addition, this IC incorporates a thermal-shut-down circuit which detects the IC temperature rising and turns the constant-current output OFF.

●Dimension (Units : mm)



HSOP25

●Features

- 1) Drive capability: constant-current output 50mA (Max.)
- 2) Can set the constant-current output value by one external resistor.
- 3) 3 wire serial (Data, Clock, Latch) control from micro computer
- 4) With ENABLE pin
- 5) Power ON reset function
- 6) Built-in thermal-shut-down circuit
- 7) Low power consumption
- 8) Cascade connection
- 9) Allows multiple LED displays due to the dynamic operation.
- 10) Small power package HSOP25

●Applications

All sets having micro computers and LED displays

●Absolute Maximum Ratings (Ta=25°C)

Parameter	Symbol	Limits	Unit
Power supply voltage	V _{cc}	0 ~ 7.0	V
Input voltage	V _i	-0.3 ~ V _{cc} +0.3	V
Output voltage	V _o	0 ~ 10	V
Power dissipation	PD	* 1450	W
Storage temperature range	T _{stg}	-55 ~ +150	°C
Operating temperature range	T _{opr}	-20 ~ +85	°C

*Derating : -11.6mW/°C for operation above Ta=25°C PCB (70mm×70mm×1.6mm glass epoxy board)

● Recommended Operating Conditions (Ta=25°C)

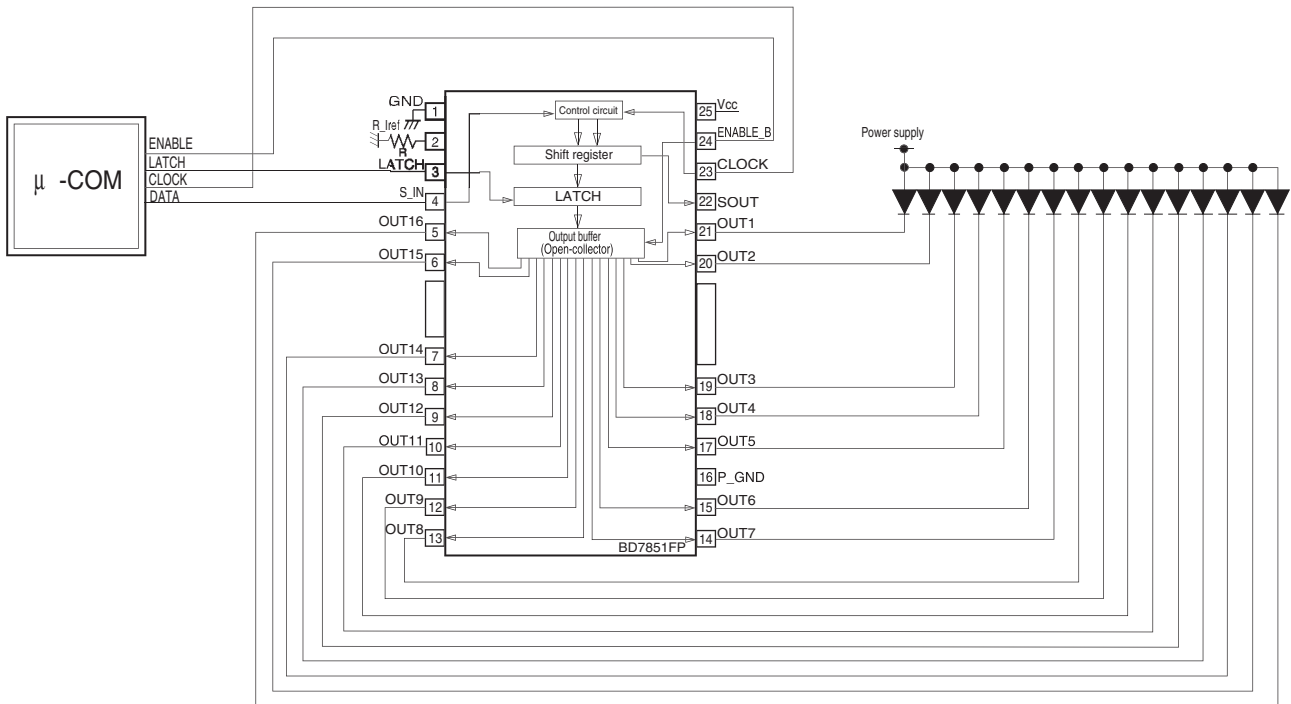
Parameter	Symbol	Min.	Typ.	Max.	Unit
Power supply voltage	V _{CC}	4.5	—	5.5	V
Input voltage "H" level	V _{IH}	0.8 × V _{CC}	—	V _{CC}	V
Input voltage "L" level	V _{IL}	GND	—	0.2 × V _{CC}	V

*This product is not designed for protection against radioactive rays.

● Electrical characteristics (Unless otherwise noted; Ta=25°C, V_{CC}=5.0V)

Parameter	Symbol	Min.	Typ.	Max.	Unit	Conditions
Output voltage "H"	V _{OH}	V _{CC} -0.5	—	—	V	I _{OH} =1mA
Output voltage "L"	V _{OL}	—	—	0.5	V	I _{OL} =-1mA
Consumption current	I _{CC}	—	0.7	1.0	mA	R=13kΩ, OUT1~OUT16:OFF
		—	1.8	3.0	mA	R=1.3kΩ, OUT1~OUT16:OFF
		—	4.0	6.5	mA	R=13kΩ, OUT1~OUT16:ON
		—	30	40	mA	R=1.3kΩ, OUT1~OUT16:ON
Constant-current output current (Including error between bits)	I _{OLC1}	48	55	62	mA	V _{OUT} =2.0V R=1.3kΩ
	I _{OLC2}	5.0	5.9	6.8	mA	V _{OUT} =2.0V R=13kΩ
Constant-current output current error between bits	ΔI _{OLC}	—	±1	±6	%	V _{OUT} =2.0V R=1.3kΩ (1bit ON mode)
Output current regulation against output voltage	IΔV _{CC}	—	±1	±6	%/V	V _{OUT} =2.0~3.0V R=1.3kΩ
Output leak current	I _{OH}	—	0.01	0.8	mA	V _{OUT} =10V

● Application Circuit





LittleDiode supplies new, hard to find or obsolete electronic components and semiconductors all over the world.

With over two million different components listed you are sure to find the part you need.

Feel free to visit us today at our online store:

LittleDiode.com

Looking forward to providing you with the best possible service.