

6-channel Combo driver IC **BD7907FS**

● Description

BD7907FS is a 6-channel driver IC that integrates all drivers necessary for CD-ROM, and DVD-ROM systems into a single chip. The built-in 2-channel sled motor driver is used for the stepping motor. Low heat operation can be achieved by applying the PWM driving system for sled and spindle motor drivers.

● Features

- 1) Motor drivers for spindle, sled (2-channel) and loading, and actuator drivers for tracking are all integrated into a single chip.
- 2) ON/OFF for each driver, brake mode switching of spindle and stand-by mode switching can be controlled by 2-wire serial data.
- 3) Built-in triangular-wave generator
- 4) SSOP-A54 package
- 5) Built-in thermal shut-down circuit

<Spindle driver>

- 6) Highly efficient by applying the PWM drive and Low ON resistance POWER MOSFET
- 7) Built-in current limit, hall bias, short brake, FG 3-phase synthesis output, and reverse protection circuit

<Sled motor driver>

- 8) Highly efficient due to the PWM drive
- 9) Built-in 2-channel for the stepping motor

<Actuator, loading driver>

- 10) Low noise due to the linear BTL driver and smooth spin

● Applications

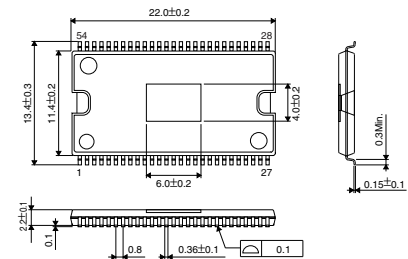
CD-ROM, DVD-ROM, and any other equipment driven by optical DISC

● Absolute Maximum Ratings (Ta=25°C)

Parameter	Symbol	Limits	Unit
Power MOS supply voltage	SPVM1,2, SLRNF1,2	15	V
Pre/BTL power supply voltage	VCC, SLVDD, AVM	15	V
PWM control supply voltage	DVCC	7	V
Power dissipation	Pd	2.6 *1	W
Operating temperature range	Topr	-35 ~ +85	°C
Storage temperature range	Tstg	-55 ~ +150	°C

*Derating : 20.8mW/°C for operation above Ta=25°C PCB (70mm ¥ 70mm ¥ 1.6mm glass epoxy board)

● Dimension (Units : mm)



SSOP-A54

● Recommended Operating Conditions (Ta=25°C)

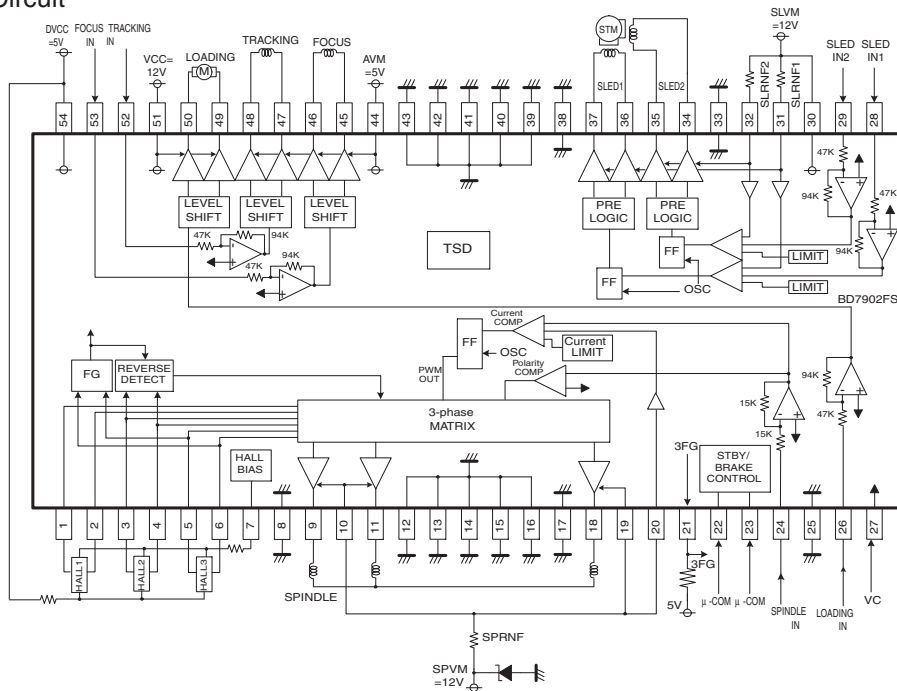
Parameter	Symbol	Min.	Typ.	Max.	Unit
Power MOS supply voltage1	SPVM1,2	—	VCC*2	—	V
Power MOS supply voltage2	SLRNF1,2	—	SLVDD*2	—	V
Pre-driver supply voltage	SLVDD,VCC	AVM	12	14	V
Power driver supply voltage	AVM	4.3	5.0	Vcc	V
PWM control supply voltage	DVCC	4.3	5.0	6.0	V

*2 SPVM1,2 must be established with the same voltage of Vcc and, SLRNF1,2 must be established with the same voltage of SLVDD.

● Electrical Characteristics (Unless otherwise noted; Ta=25°C, SLVDD=VCC=12V, DVCC=AVM=5V, VC=1.65V, SPRNF=0.33Ω, SLRNF=0.5Ω)

Parameter	Symbol	Min.	Typ.	Max.	Unit	Conditions
Feed motor driver						
Input dead zone (One-side)	VDZSL	15	40	65	mV	
I/O gain	gmSL	0.8	1.0	1.2	A/V	SLRNF=0.5Ω
Output ON resistance	RONUSL	—	3.2	4.2	Ω	Io=500mA (Top+Bottom)
Output limit current	ILIMSL	0.8	0.94	1.08	A	SLRNF=0.5Ω
Spindle driver <Torque command I/O>						
Input dead zone (One-side)	VDZSP	20	50	90	mV	
I/O gain	gmSP	2.4	3.0	3.6	A/V	SPRNF=0.33Ω
Output ON resistance	RONUSP	—	0.95	1.7	Ω	Ip=500mA (Top+Bottom)
Output limit current	ILIMSL	1.2	1.42	1.64	A	SPRNF=0.33Ω
Actuator driver						
Output offset voltage	VOFFT	-50	0	50	mV	
Output saturation voltage	VOHFT	—	0.9	1.6	V	Io=500mA (Top+Bottom)
Voltage gain	GVFT	16.0	17.5	19.0	dB	
Loading driver						
Output offset voltage	VOFLD	-50	0	50	mV	
Output saturation voltage	VOHLD	—	1.55	2.2	V	Io=500mA (Top+Bottom)
Voltage gain	GVLD	16.0	17.5	19.0	dB	

● Application Circuit





LittleDiode supplies new, hard to find or obsolete electronic components and semiconductors all over the world.

With over two million different components listed you are sure to find the part you need.

Feel free to visit us today at our online store:

LittleDiode.com

Looking forward to providing you with the best possible service.