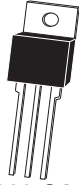


CQ220-16B
 CQ220-16D
 CQ220-16M
 CQ220-16N

16 AMP TRIAC
 200 THRU 800 VOLTS



TO-220 CASE

CentralTM

Semiconductor Corp.

DESCRIPTION:

The CENTRAL SEMICONDUCTOR CQ220-16B series type is an Epoxy Molded Silicon Triac designed for full wave AC control applications featuring gate triggering in all four (4) quadrants.

MARKING CODE: FULL PART NUMBER

MAXIMUM RATINGS: ($T_C=25^\circ\text{C}$ unless otherwise noted)

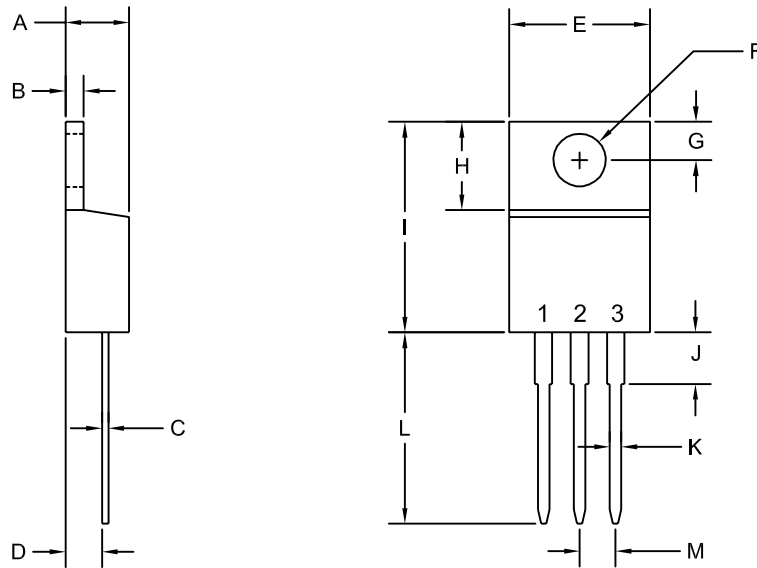
	SYMBOL	CQ220 -16B	CQ220 -16D	CQ220 -16M	CQ220 -16N	UNITS
Peak Repetitive Off-State Voltage	V_{DRM}	200	400	600	800	V
RMS On-State Current ($T_C=90^\circ\text{C}$)	$I_T(\text{RMS})$			16		A
Peak One Cycle Surge ($t=8.3\text{ms}$)	I_{TSM}			110		A
I^2t Value for Fusing ($t=8.3\text{ms}$)	I^2t			50		A^2s
Peak Gate Power ($t_p=10\mu\text{s}$)	P_{GM}			40		W
Average Gate Power Dissipation	$P_G (AV)$			1.0		W
Peak Gate Current ($t_p=10\mu\text{s}$)	I_{GM}			6.0		A
Peak Gate Voltage ($t_p=10\mu\text{s}$)	V_{GM}			16		V
Critical Rate of Rise of On-State Current						
Repetitive ($f=60\text{Hz}$)	di/dt			10		$\text{A}/\mu\text{s}$
Storage Temperature	T_{stg}		-40 to +150			$^\circ\text{C}$
Junction Temperature	T_J		-40 to +125			$^\circ\text{C}$
Thermal Resistance	θ_{JA}			60		$^\circ\text{C}/\text{W}$
Thermal Resistance	θ_{JC}			2.3		$^\circ\text{C}/\text{W}$

ELECTRICAL CHARACTERISTICS: ($T_C=25^\circ\text{C}$ unless otherwise noted)

SYMBOL	TEST CONDITIONS	MIN	TYP	MAX	UNITS
I_{DRM}	Rated V_{DRM}			10	μA
I_{DRM}	Rated V_{DRM} , $T_C=125^\circ\text{C}$			2.0	mA
I_{GT}	$V_D=12\text{V}$, $R_L=10\Omega$, QUAD I, II, III		10.9	25	mA
I_{GT}	$V_D=12\text{V}$, $R_L=10\Omega$, QUAD IV		55.2	75	mA
I_H	$I_T=100\text{mA}$		9.8	25	mA
V_{GT}	$V_D=12\text{V}$, $R_L=10\Omega$, QUAD I, II, III		0.97	1.50	V
V_{GT}	$V_D=12\text{V}$, $R_L=10\Omega$, QUAD IV		1.51	2.50	V
V_{TM}	$I_{TM}=22.5\text{A}$, $t_p=380\mu\text{s}$		1.35	1.60	V
dv/dt	$V_D=2/3 V_{DRM}$, $R_{GK}=\infty$, $T_C=125^\circ\text{C}$	10			$\text{V}/\mu\text{s}$

R2 (24-September 2004)

TO-220 CASE - MECHANICAL OUTLINE



R2

LEAD CODE:

- 1) MT1
- 2) MT2
- 3) GATE

NOTE: TAB IS COMMON
TO PIN 2 (MT2)

MARKING CODE:

FULL PART NUMBER

SYMBOL	DIMENSIONS			
	INCHES		MILLIMETERS	
	MIN	MAX	MIN	MAX
A	0.170	0.190	4.31	4.82
B	0.045	0.055	1.15	1.39
C	0.013	0.026	0.33	0.65
D	0.083	0.107	2.10	2.72
E	0.394	0.417	10.01	10.60
F (DIA)	0.140	0.157	3.55	4.00
G	0.100	0.118	2.54	3.00
H	0.230	0.270	5.85	6.85
I	0.560	0.625	14.23	15.87
J	-	0.250	-	6.35
K	0.025	0.038	0.64	0.96
L	0.500	0.579	12.70	14.70
M	0.090	0.110	2.29	2.79

TO-220 (REV: R2)



LittleDiode supplies new, hard to find or obsolete electronic components and semiconductors all over the world.

With over two million different components listed you are sure to find the part you need.

Feel free to visit us today at our online store:

LittleDiode.com

Looking forward to providing you with the best possible service.