

DATA SHEET

BLW30 VHF power transistor

Product specification

September 1991

VHF power transistor

BLW30

FEATURES

- Emitter-ballasting resistors for an optimum temperature profile
- Excellent reliability
- Withstands full load mismatch.

DESCRIPTION

NPN silicon planar epitaxial transistor encapsulated in a 4-lead $\frac{3}{8}$ inch SOT120 capstan envelope with a ceramic cap. It is designed for common emitter, class-B operation mobile VHF transmitters with a supply voltage of 12.5 V. All leads are isolated from the stud.

PINNING - SOT120

PIN	DESCRIPTION
1	collector
2	emitter
3	base
4	emitter

QUICK REFERENCE DATA

RF performance at $T_{mb} = 25\text{ }^{\circ}\text{C}$ in a common emitter test circuit.

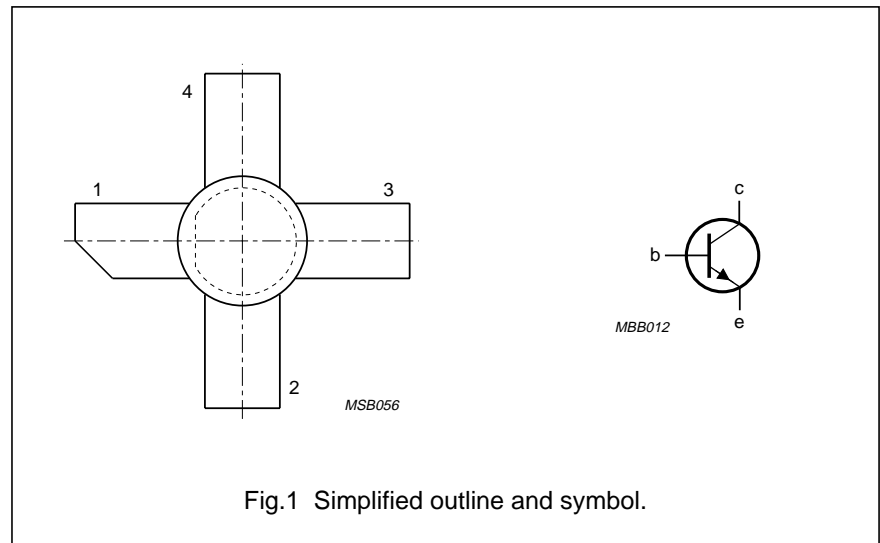
MODE OF OPERATION	f (MHz)	V _{CE} (V)	P _L (W)	G _P (dB)	η_c (%)
c.w. class-B	175	12.5	30	> 10	> 55

WARNING

Product and environmental safety - toxic materials

This product contains beryllium oxide. The product is entirely safe provided that the BeO disc is not damaged. All persons who handle, use or dispose of this product should be aware of its nature and of the necessary safety precautions. After use, dispose of as chemical or special waste according to the regulations applying at the location of the user. It must never be thrown out with the general or domestic waste.

PIN CONFIGURATION



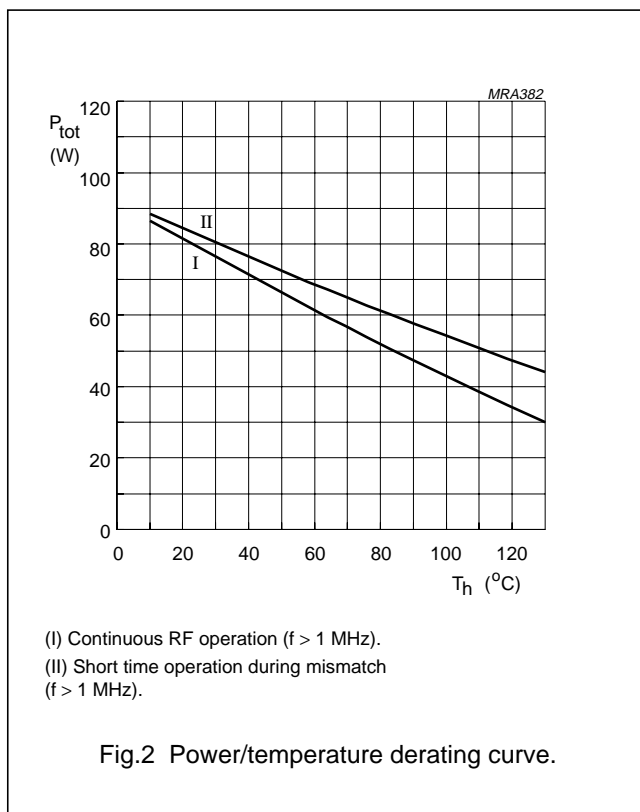
VHF power transistor

BLW30

LIMITING VALUES

In accordance with the Absolute Maximum System (IEC 134).

SYMBOL	PARAMETER	CONDITIONS	MIN.	MAX.	UNIT
V_{CBO}	collector-base voltage	open emitter	–	36	V
V_{CEO}	collector-emitter voltage	open base	–	16	V
V_{EBO}	emitter-base voltage	open collector	–	3	V
$I_C, I_{C(AV)}$	collector current	DC or average value	–	6	A
I_{CM}	collector current	peak value $f > 1$ MHz	–	18	A
P_{tot}	total power dissipation	RF operation; $f > 1$ MHz; $T_{mb} = 25$ °C	–	100	W
T_{stg}	storage temperature range		–65	150	°C
T_j	junction operating temperature		–	200	°C



THERMAL RESISTANCE

SYMBOL	PARAMETER	CONDITIONS	MAX.	UNIT
$R_{th\ j-mb(RF)}$	from junction to mounting base	$P_{tot} = 100$ W; $T_{mb} = 25$ °C	1.75	K/W
$R_{th\ mb-h}$	from mounting base to heatsink		0.45	K/W

VHF power transistor

BLW30

CHARACTERISTICS

$T_j = 25\text{ }^\circ\text{C}$.

SYMBOL	PARAMETER	CONDITIONS	MIN.	TYP.	MAX.	UNIT
$V_{(BR)CBO}$	collector-base breakdown voltage	open emitter; $I_c = 10\text{ mA}$	36	–	–	V
$V_{(BR)CEO}$	collector-emitter breakdown voltage	open base; $I_c = 25\text{ mA}$	16	–	–	V
$V_{(BR)EBO}$	emitter-base breakdown voltage	open collector; $I_E = 2\text{ mA}$	3	–	–	V
I_{CES}	collector-emitter leakage current	$V_{BE} = 0$; $V_{CE} = 16\text{ V}$	–	–	10	mA
h_{FE}	DC current gain	$V_{CE} = 5\text{ V}$; $I_C = 4\text{ A}$	25	35	–	
f_T	transition frequency	$V_{CE} = 12.5\text{ V}$; $I_E = 4\text{ A}$; $f = 500\text{ MHz}$	–	1.6	–	GHz
C_c	collector capacitance	$V_{CB} = 12.5\text{ V}$; $I_E = I_e = 0$; $f = 1\text{ MHz}$	–	90	100	pF
C_{re}	feedback capacitance	$V_{CE} = 12.5\text{ V}$; $I_C = 0$; $f = 1\text{ MHz}$	–	60	70	pF
C_{c-s}	collector-stud capacitance	$f = 1\text{ MHz}$	–	2	–	pF

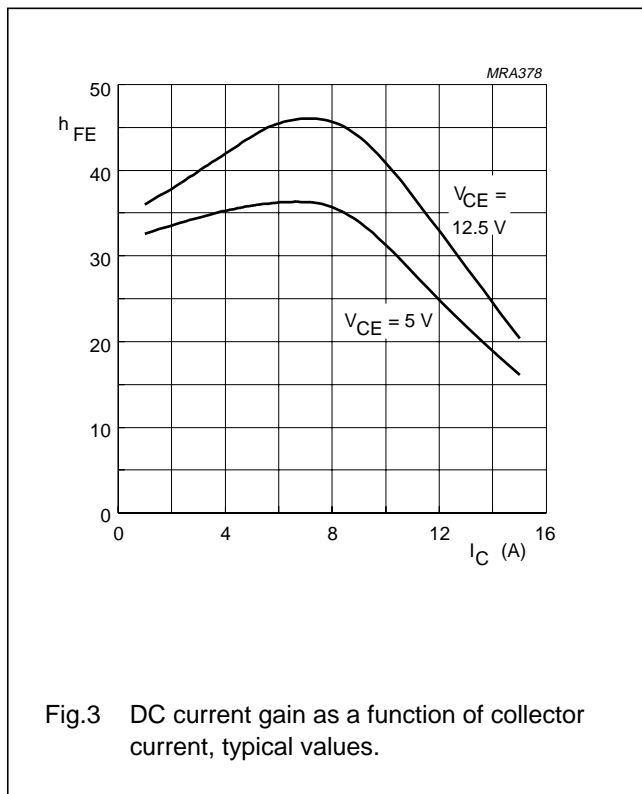


Fig.3 DC current gain as a function of collector current, typical values.

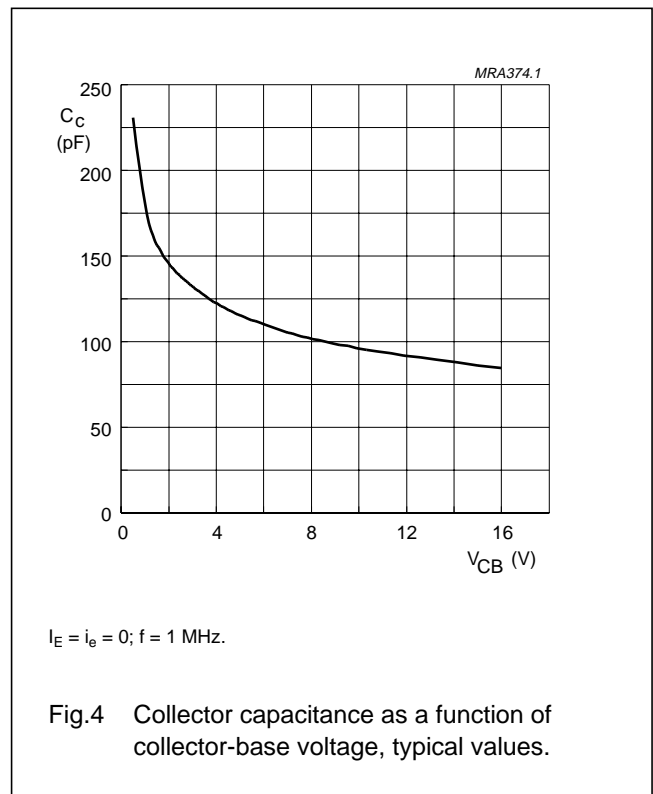
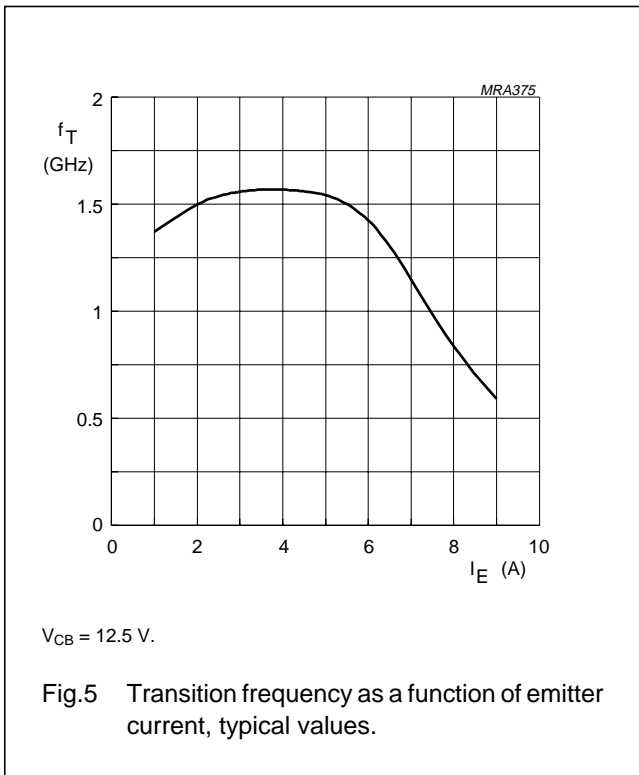


Fig.4 Collector capacitance as a function of collector-base voltage, typical values.

VHF power transistor

BLW30



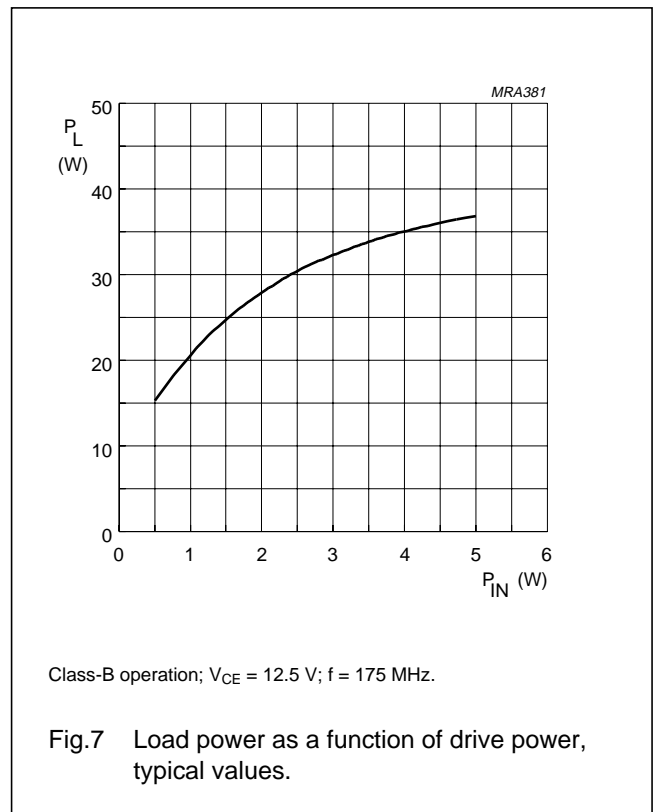
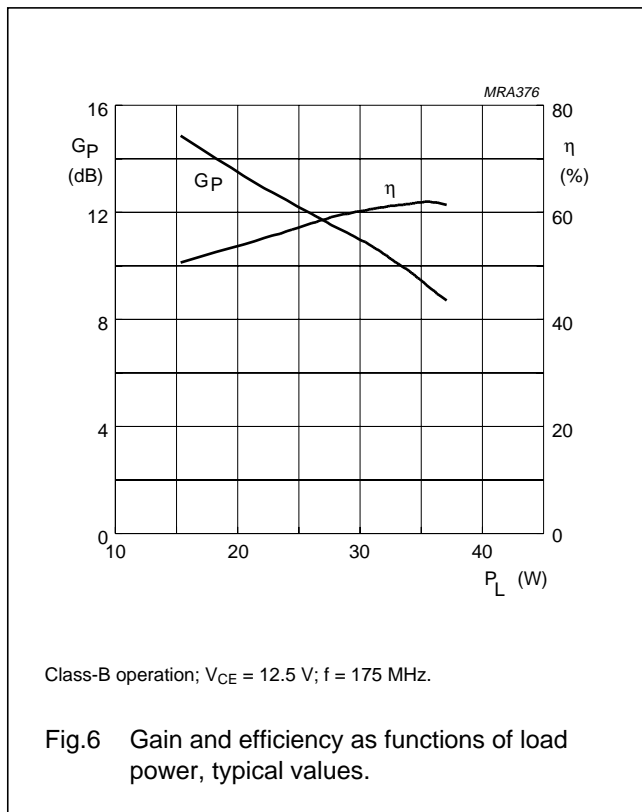
VHF power transistor

BLW30

APPLICATION INFORMATION

RF performance at $T_{mb} = 25\text{ }^{\circ}\text{C}$ in a common emitter test circuit.

MODE OF OPERATION	f (MHz)	V _{CE} (V)	P _L (W)	G _p (dB)	η _c (%)
c.w. class-B	175	12.5	30	> 10 typ. 11	> 55 typ. 60

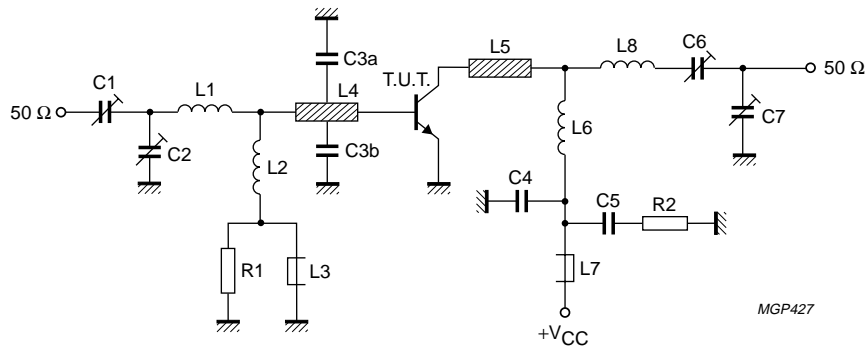


Ruggedness in class-B operation

The BLW30 is capable of withstanding a full load mismatch corresponding to VSWR = 50:1 through all phases at rated output power, up to a supply voltage of 15.5 V, and f = 175 MHz.

VHF power transistor

BLW30

Fig.8 Class-B test circuit at $f = 175$ MHz.

List of components (see test circuit)

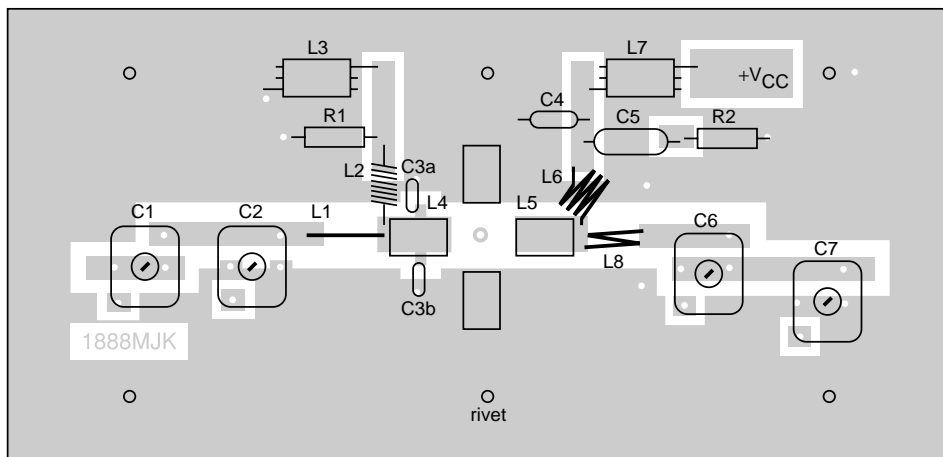
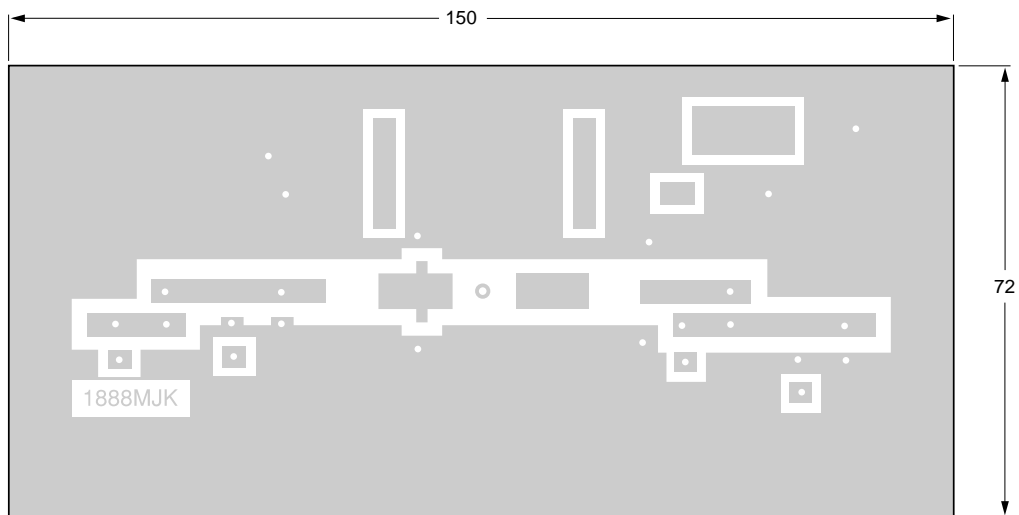
COMPONENT	DESCRIPTION	VALUE	DIMENSIONS	CATALOGUE NO.
C1	film dielectric trimmer	2.5 to 20 pF		2222 809 07004
C2, C7	film dielectric trimmer	4 to 40 pF		2222 809 07008
C3a, C3b	500 V ceramic capacitor	47 pF		
C4	ceramic capacitor	120 pF		
C5	polyester capacitor	100 nF		
C6	film dielectric trimmer	7 to 100 pF		2222 809 07015
L1	$\frac{1}{2}$ turn enamelled 1.6 mm copper wire		int. dia. 6 mm; leads 2×5 mm	
L2	7 turns closely wound enamelled 0.5 mm copper wire	100 nH	int. dia. 3 mm; leads 2×5 mm	
L3, L7	grade 3B Ferroxcube wideband HF choke			4312 020 36640
L4, L5	stripline (note 1)		12 mm \times 6 mm; note 2	
L6	$3\frac{1}{2}$ turns closely wound enamelled 1.6 mm copper wire		int. dia. 6 mm; leads 2×5 mm	
L8	1 turn enamelled 1.6 mm copper wire		int. dia. 6 mm; leads 2×5 mm	
R1, R2	0.25 W carbon resistor	10 Ω , 5%		

Notes

1. The striplines are on a double copper-clad printed circuit board, with epoxy fibre-glass dielectric, thickness $\frac{1}{16}$ inch.
2. Taps for capacitors C3a and C3b are situated 5 mm from the transistor.

VHF power transistor

BLW30



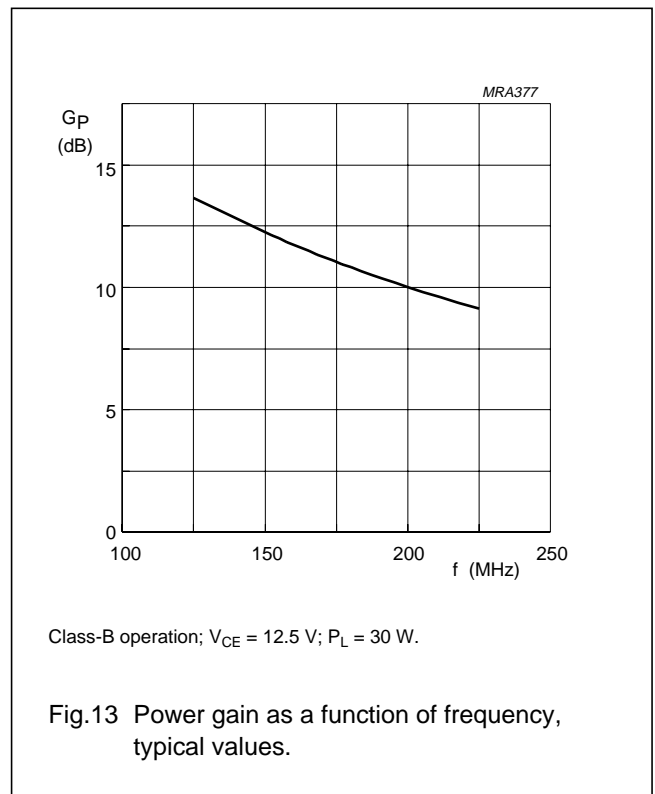
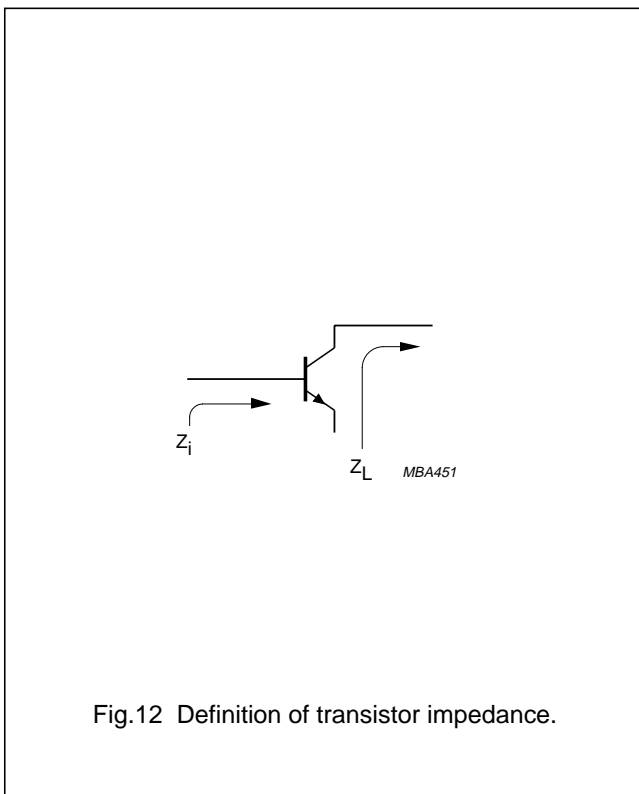
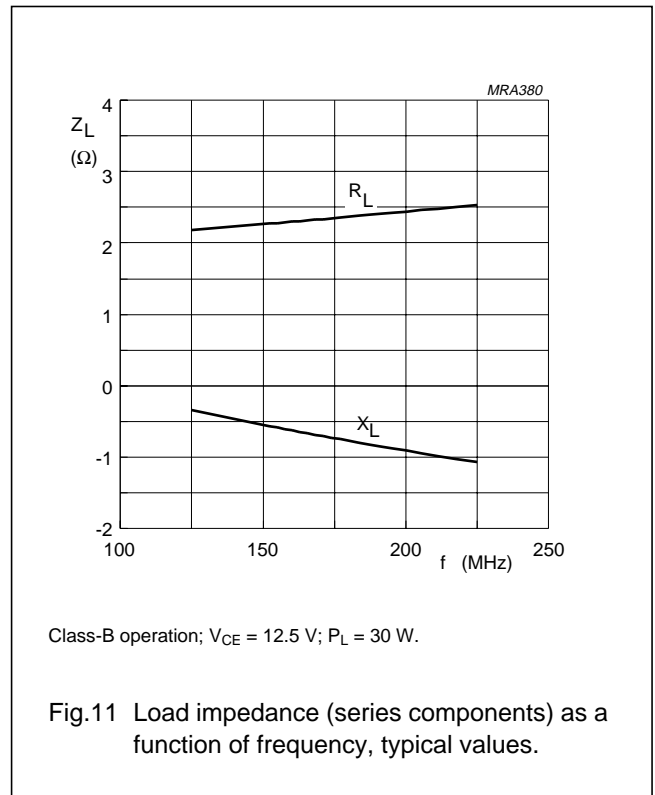
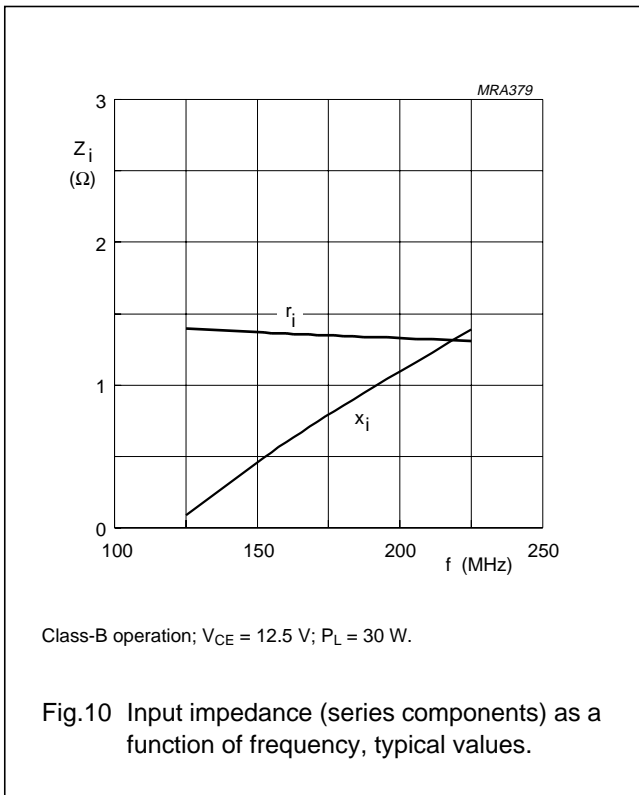
MGP428

The circuit and components are situated on one side of an epoxy fibre-glass board; the other side is unetched and serves as a ground plane. Earth connections are made by means of hollow rivets and copper straps under the emitters, to provide a direct contact between the component side and the ground plane.

Fig.9 Component layout for 175 MHz class-B test circuit.

VHF power transistor

BLW30



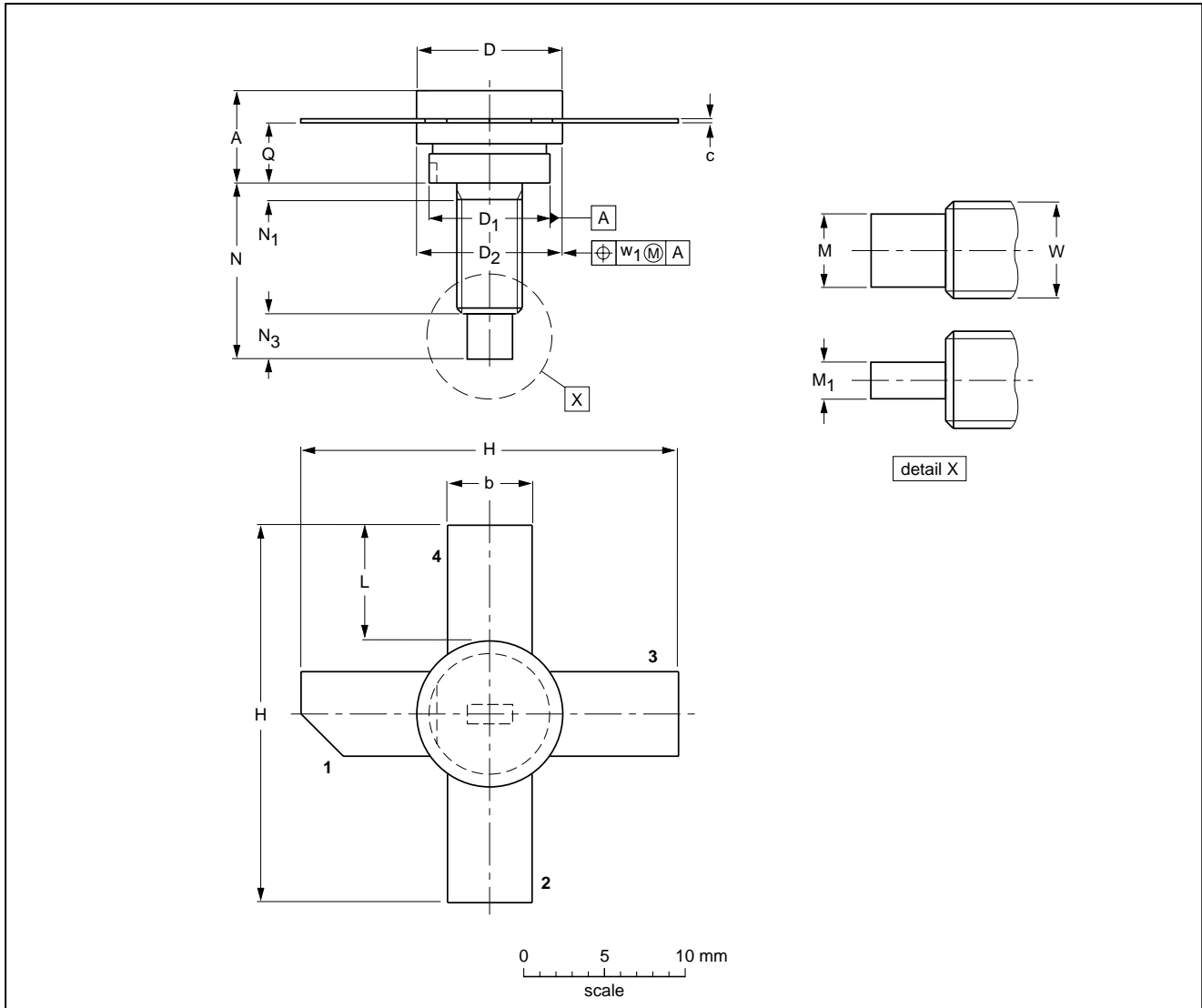
VHF power transistor

BLW30

PACKAGE OUTLINE

Studded ceramic package; 4 leads

SOT120A



DIMENSIONS (millimetre dimensions are derived from the original inch dimensions)

UNIT	A	b	c	D	D ₁	D ₂	H	L	M	M ₁	N	N ₁	N ₃	Q	W	w ₁
mm	5.97 4.74	5.90 5.48	0.18 0.14	9.73 9.47	8.39 8.12	9.66 9.39	27.44 25.78	9.00 8.00	3.41 2.92	1.66 1.39	12.83 11.17	1.60 0.00	3.31 2.54	4.35 3.98	8-32 UNC	0.38
inches	0.283 0.248	0.232 0.216	0.007 0.004	0.383 0.373	0.330 0.320	0.380 0.370	1.080 1.015	0.354 0.315	0.134 0.115	0.065 0.055	0.505 0.440	0.063 0.000	0.130 0.100	0.171 0.157		0.015

OUTLINE VERSION	REFERENCES				EUROPEAN PROJECTION	ISSUE DATE
	IEC	JEDEC	EIAJ			
SOT120A						97-06-28

VHF power transistor

BLW30

DEFINITIONS

Data Sheet Status	
Objective specification	This data sheet contains target or goal specifications for product development.
Preliminary specification	This data sheet contains preliminary data; supplementary data may be published later.
Product specification	This data sheet contains final product specifications.
Limiting values	
Limiting values given are in accordance with the Absolute Maximum Rating System (IEC 134). Stress above one or more of the limiting values may cause permanent damage to the device. These are stress ratings only and operation of the device at these or at any other conditions above those given in the Characteristics sections of the specification is not implied. Exposure to limiting values for extended periods may affect device reliability.	
Application information	
Where application information is given, it is advisory and does not form part of the specification.	

LIFE SUPPORT APPLICATIONS

These products are not designed for use in life support appliances, devices, or systems where malfunction of these products can reasonably be expected to result in personal injury. Philips customers using or selling these products for use in such applications do so at their own risk and agree to fully indemnify Philips for any damages resulting from such improper use or sale.



LittleDiode supplies new, hard to find or obsolete electronic components and semiconductors all over the world.

With over two million different components listed you are sure to find the part you need.

Feel free to visit us today at our online store:

LittleDiode.com

Looking forward to providing you with the best possible service.