

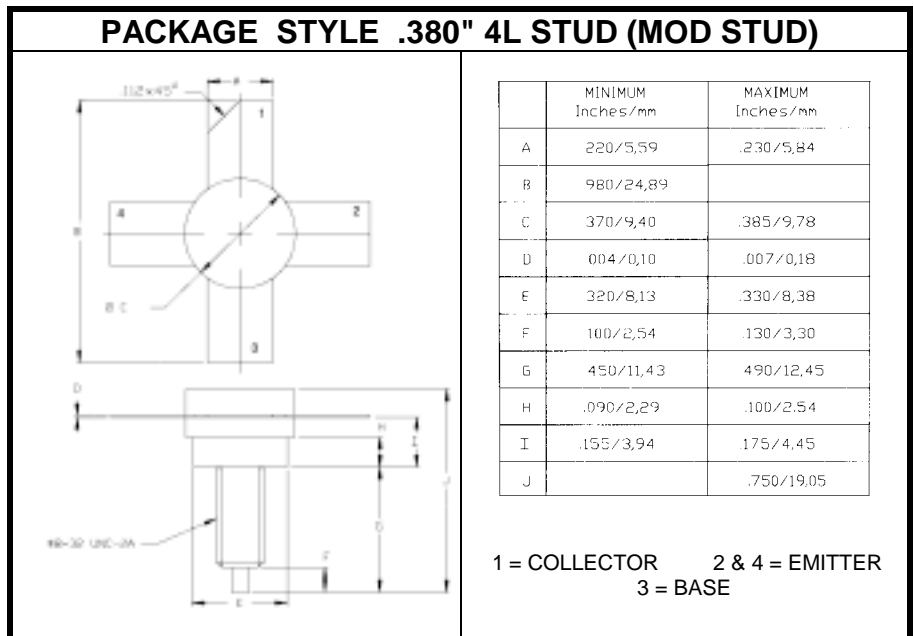
NPN SILICON RF POWER TRANSISTOR

DESCRIPTION:

The **ASI BLW75** is Designed for 25V Large-Signal Amplifier Applications, TV Transposers, and Transmitters Operating in Band III.

MAXIMUM RATINGS

I_C	4.0 A
V_{CE}	32 V
V_{CB}	60 V
P_{DISS}	60 W @ T _C = 25 °C
T_J	-65 °C to +200 °C
T_{STG}	-65 °C to +125 °C
θ_{JC}	1.9 °C/W


CHARACTERISTICS T_C = 25 °C

SYMBOL	TEST CONDITIONS		MINIMUM	TYPICAL	MAXIMUM	UNITS
BV_{CER}	I _C = 50 mA	R _{BE} = 10 Ω	60			V
BV_{CBO}	I _C = 50 mA		60			V
BV_{CEO}	I _C = 50 mA		30			V
BV_{EBO}	I _E = 10 mA		4.0			V
h_{FE}	V _{CE} = 25 V	I _C = 2.0 A	20	45		---
C_{ob}	V _{CB} = 30 V			90	120	pF
		f = 1.0 MHz				
C_{re}	V _{CE} = 30 V	I _C = 200 mA		55		pF
		f = 1.0 MHz				
f_T	V _{CE} = 25 V	I _C = 6.0 A		800		MHz
		f = 100 MHz				

This datasheet has been downloaded from:

www.DatasheetCatalog.com

Datasheets for electronic components.



LittleDiode supplies new, hard to find or obsolete electronic components and semiconductors all over the world.

With over two million different components listed you are sure to find the part you need.

Feel free to visit us today at our online store:

LittleDiode.com

Looking forward to providing you with the best possible service.