

RDS / RBDS decoder

BU1923 / BU1923F

The BU1923 and BU1923F are RDS / RBDS decoders that employ a digital PLL and have a built-in anti-aliasing filter and an eight-stage BPF (switched-capacitor filter). Linear CMOS circuitry is used for low power consumption.

● Applications

RDS / RBDS compatible FM receivers for American and European markets, car stereos, high-fidelity stereo systems and components, and FM pagers.

● Features

- 1) Low current.
- 2) Two-stage anti-aliasing filter (LPF).
- 3) 57kHz band-pass filter.
- 4) DSB demodulation (digital PLL).
- 5) Quality indication output for demodulated data.

● Absolute maximum ratings (Ta = 25°C)

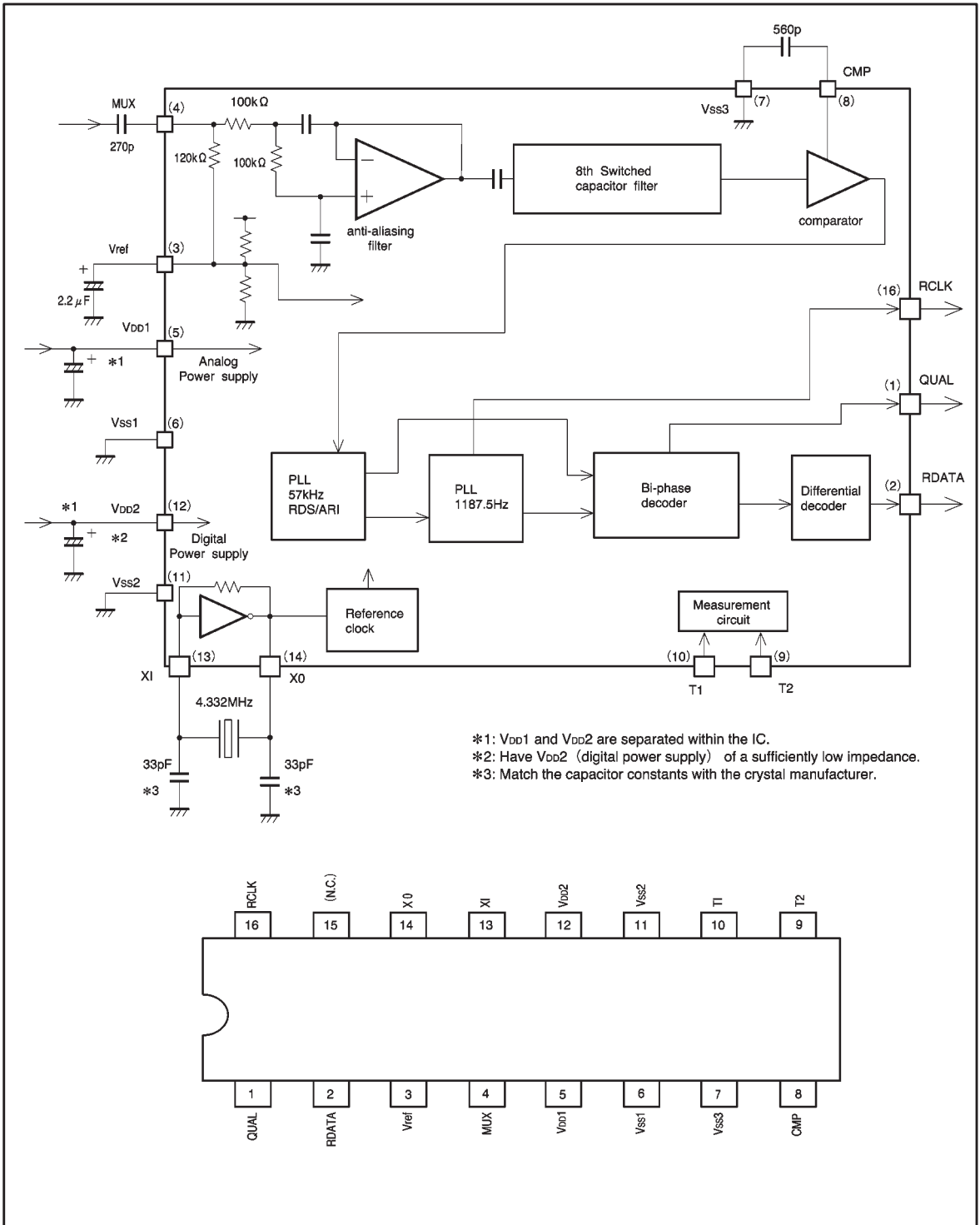
Parameter	Symbol	Limits	Unit	Conditions
Power supply voltage	V _{DD}	-0.3~+7.0	V	V _{DD1} V _{DD2}
Maximum input voltage	V _{MAX}	-0.3~V _{DD} +0.3	V	All input pins
Maximum output voltage	I _{MAX}	±4.0	mA	All output pins
Power dissipation	P _d	350*	mW	—
Operating temperature	T _{opr}	-40~+85	°C	—
Storage temperature	T _{stg}	-55~+125	°C	—

*Reduced by 3.5mW for each increase in Ta of 1°C over 25°C.

● Recommended operating conditions (Ta = 25°C)

Parameter	Symbol	Min.	Typ.	Max.	Unit
Power supply voltage	V _{DD1}	4.5	—	5.5	V
	V _{DD2}	4.5	—	5.5	V

● Block diagram

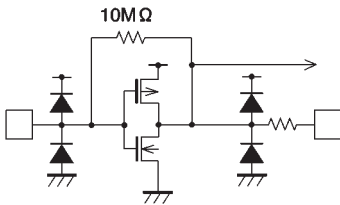


● Pin descriptions

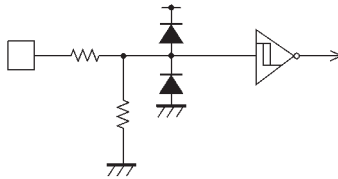
Pin No.	Symbol	Pin name	Function	Input/output type
1	QUAL	Demodulator quality	Good data: High, bad data: Low	Type C
2	RDATA	Demodulator data	Refer to output data timing	—
3	Vref	Reference voltage	1/2 V _{DD1} (refer to input/output circuits)	Type E
4	MUX	Input	Composite signal input (refer to input/output circuits)	Type D
5	V _{DD1}	Analog power supply	4.5V to 5.5V	—
6	V _{SS1}			
7	CMP	Comparator input	C-junction (refer to input/output circuits)	Type D
8	V _{SS3}	GND	—	—
9	T2	Test input	Open or connected to ground	Type B
10	T1			
11	V _{DD2}	Digital power supply	4.5V to 5.5V	—
12	V _{SS2}			
13	XI	Crystal oscillator	Connects to 4.332MHz oscillator (refer to input/output circuits)	Type A
14	XO			
15	(N.C.)	—	—	—
16	RCLK	Demodulator clock	1187.5Hz clock (refer to the timing diagram)	Type C

● Input / output circuits

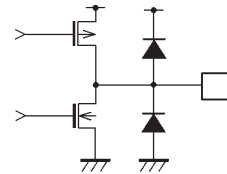
Type A



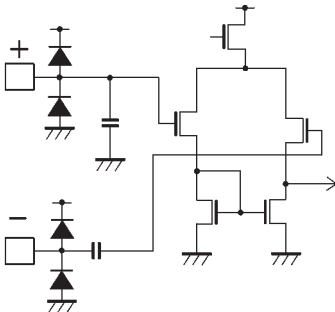
Type B



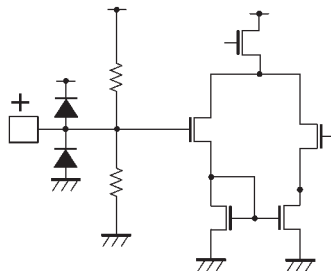
Type C



Type D



Type E

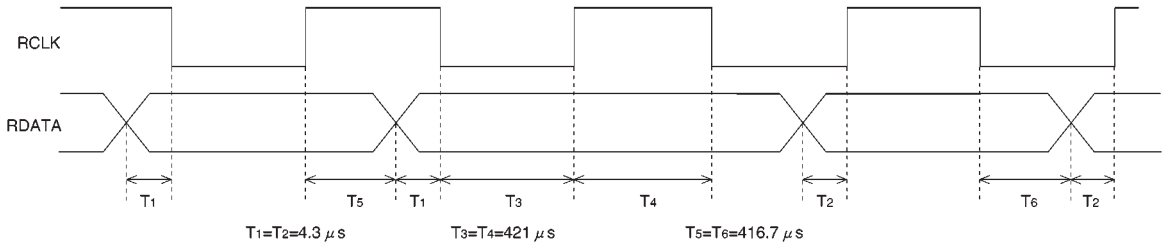


●Electrical characteristics (unless otherwise noted, Ta = 25°C, V_{DD1} = V_{DD2} = 5.0V, V_{SS1} = V_{SS2} = 0.0V)

Parameter	Symbol	Min.	Typ.	Max.	Unit	Conditions
Operating current	I _{DD}	—	4.5	7.0	mA	I _{DD1} + I _{DD2}
Reference voltage	V _{ref}	—	1/2V _{DD1}	—	V	Pin 3
Input current 1	I _{IN1}	—	—	1.0	μA	MUX V _{IN} =V _{DD1}
Output current 1	I _{OUT1}	—	—	1.0	μA	MUX V _{IN} =V _{DD1}
Input current 2	I _{IN2}	—	—	1.0	μA	XI V _{IN} =V _{DD2}
Output current 2	I _{OUT2}	—	—	1.0	μA	XI V _{IN} =V _{DD2}
Output high level voltage 1	V _{OH1}	V _{DD2} −1.0	V _{DD2} −0.3	—	V	RCLK RDATA QUAL I _o =−1.0mA
Output low level voltage 1	V _{OL1}	—	0.2	1.0	V	RCLK RDATA QUAL I _o =1.0mA
〈Filter block〉						
Center frequency	FC	56.5	57.0	57.5	kHz	
Gain	GA	23	26	29	dB	F=57.0kHz
Attenuation 1	ATT1	18	22	—	dB	57kHz±4kHz
Attenuation 2	ATT2	65	80	—	dB	38kHz
Attenuation 3	ATT3	35	50	—	dB	67kHz
S / N ratio	SN	30	40	—	dB	57kHz V _{IN} =3mVrms
Maximum input level	V _{MAX1}	—	—	500	mVrms	
〈Demodulator〉						
RDS detector sensitivity	SRDS	—	0.5	1.0	mVrms	
RDS input level	MRDS	—	—	300	mVrms	
ARI detector sensitivity	SARI	—	1.5	3.0	mVrms	
Data rate	DRATE	—	1187.5	—	Hz	
Clock transient vs. data	CT	—	4.3	—	μs	

©Not designed for radiation resistance.

● Output data timing



The clock (RCLK) frequency is 1187.5Hz. Depending on the state of the internal PLL clock, the data (RDATA) is replaced in synchronous with either the rising or falling edge of the clock. To read the data, you may choose ei-

ther the rising or falling edge of the clock as the reference. The data is valid for 416.7μs. after the reference clock edge.

QUAL pin operation: Indicates the quality of the demodulated data.

- (1) Good data: HI
- (2) Poor data: LO

● Electrical characteristic curve

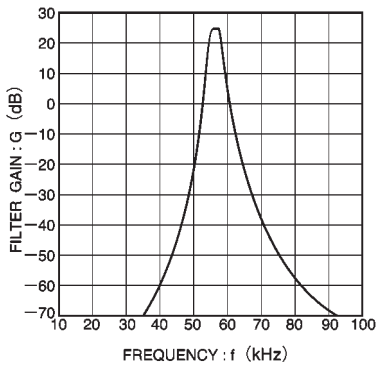
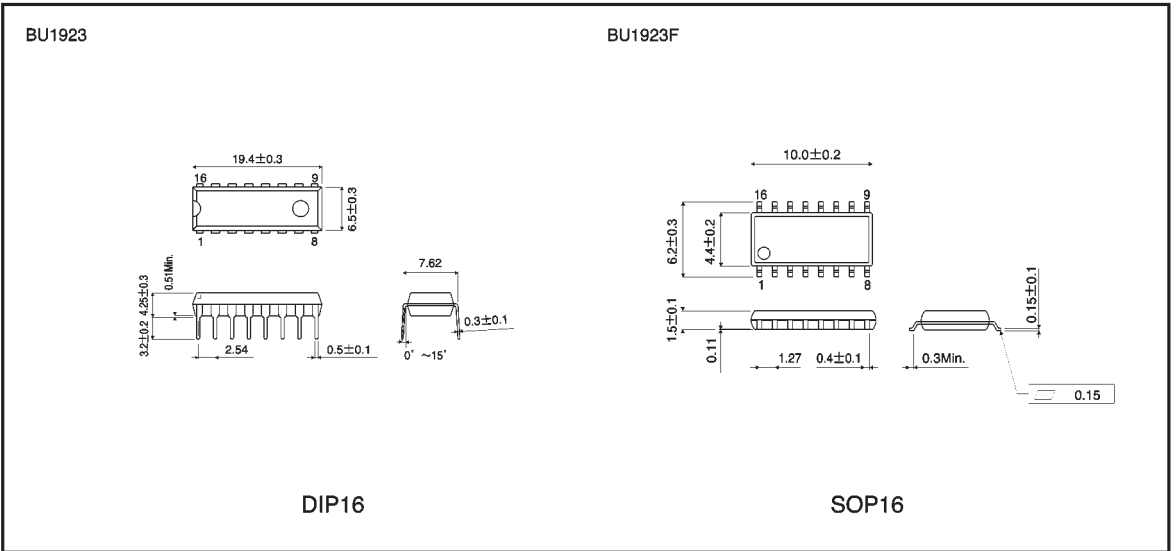


Fig.1 Band-pass filter characteristics

● External dimensions (Units: mm)



This datasheet has been downloaded from:

www.DatasheetCatalog.com

Datasheets for electronic components.



LittleDiode supplies new, hard to find or obsolete electronic components and semiconductors all over the world.

With over two million different components listed you are sure to find the part you need.

Feel free to visit us today at our online store:

LittleDiode.com

Looking forward to providing you with the best possible service.