

DBL 1016

□ ELECTRICAL CHARACTERISTICS

(Unless otherwise specified, $T_a = 25^\circ\text{C}$, $V_{CC} = 6\text{V}$, $f = 1\text{KHz}$)

[DBL 1016]

Characteristic	Symbol	Test Condition	Min.	Typ.	Max.	Unit
Supply Current	I_{CCQ}	—	—	5	8	mA
Sensitivity	V_{IN}	V_{C3} on-level	74	85	96	mVrms
Comparator Level 1	V_{c1}	—	-11.5	-10	-8.5	dB
Comparator Level 2	V_{c2}	—	-6	-5	-4	dB
Comparator Level 3	V_{c3}	Point of adjustment	—	0	—	dB
Comparator Level 4	V_{c4}	—	2.5	3	3.5	dB
Comparator Level 5	V_{c5}	—	5	6	7	dB
LED Constant Current	I_{LED}	—	11	15	18.5	mA
Input Bias Current	I_{IB}	—	-1.0	-0.3	—	μA

[DBL 1116]

Characteristic	Symbol	Test Condition	Min.	Typ.	Max.	Unit
Supply Current	I_{CCQ}	—	—	5	8	mA
Sensitivity	V_{IN}	V_{C3} on-level	91	105	119	mVrms
Comparator Level 1	V_{c1}	—	$0.28V_{C3}$	$0.33V_{C3}$	$0.40V_{C3}$	mVrms
Comparator Level 2	V_{c2}	—	$0.59V_{C3}$	$0.67V_{C3}$	$0.75V_{C3}$	mVrms
Comparator Level 3	V_{c3}	Point of adjustment	—	V_{IN}	—	mVrms
Comparator Level 4	V_{c4}	—	$1.25V_{C3}$	$1.33V_{C3}$	$1.42V_{C3}$	mVrms
Comparator Level 5	V_{c5}	—	$1.48V_{C3}$	$1.67V_{C3}$	$1.85V_{C3}$	mVrms
LED Constant Current	I_{LED}	—	11	15	18.5	mA
Input Bias Current	I_{IB}	—	-1	-0.3	—	μA

[DBL 1216]

Characteristic	Symbol	Test Condition	Min.	Typ.	Max.	Unit
Supply Current	I_{CCQ}	—	—	5	8	mA
Sensitivity	V_{IN}	V_{C3} on-level	74	85	96	mVrms
Comparator Level 1	V_{c1}	—	-11.5	-10	-8.5	dB
Comparator Level 2	V_{c2}	—	-6	-5	-4	dB
Comparator Level 3	V_{c3}	Point of adjustment	—	0	—	dB
Comparator Level 4	V_{c4}	—	2.5	3	3.5	dB
Comparator Level 5	V_{c5}	—	5	6	7	dB
LED Constant Current	I_{LED}	—	—	7	9.5	mA
Input Bias Current	I_{IB}	—	-1	-0.3	—	μA

DBL 1016

ELECTRICAL CHARACTERISTICS (Continued)

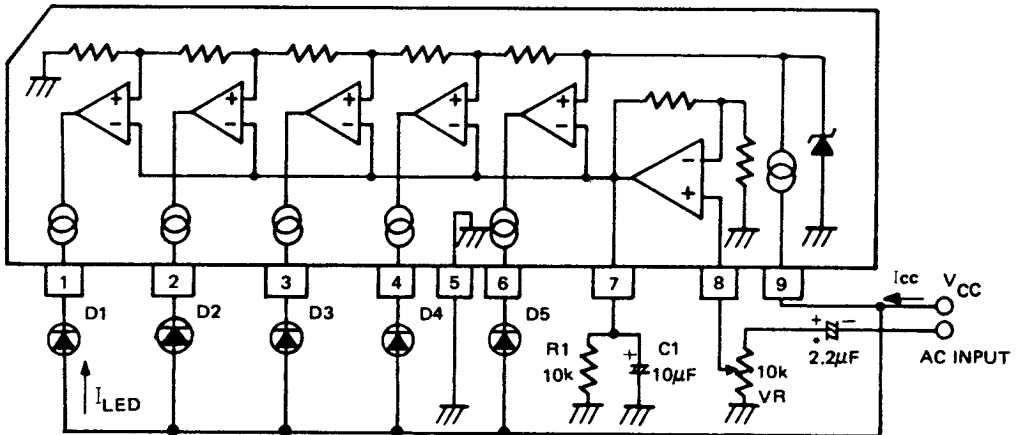
[DBL 1316]

Characteristic	Symbol	Test Condition	Min.	Typ.	Max.	Unit
Supply Current	I_{CCO}	—	—	5	8	mA
Sensitivity	V_{IN}	V_{C3} on-level	91	105	119	mVrms
Comparator Level 1	V_{C1}	—	$0.28V_{C3}$	$0.33V_{C3}$	$0.40V_{C3}$	mVrms
Comparator Level 2	V_{C2}	—	$0.59V_{C3}$	$0.67V_{C3}$	$0.75V_{C3}$	mVrms
Comparator Level 3	V_{C3}	Point of adjustment	—	V_{IN}	—	mVrms
Comparator Level 4	V_{C4}	—	$1.25V_{C3}$	$1.33V_{C3}$	$1.42V_{C3}$	mVrms
Comparator Level 5	V_{C5}	—	$1.48V_{C3}$	$1.67V_{C3}$	$1.87V_{C3}$	mVrms
LED Constant Current	I_{LED}	—	5	7	9.5	mA
Input Bias Current	I_{IB}	—	-1.0	-0.3	—	μA

ALLOWABLE OPERATING CONDITION ($T_a=25^\circ C$)

Characteristic	Symbol	Min.	Typ.	Max.	Unit
Supply Voltage	V_{CC}	3.5	6	16	V

APPLICATION CIRCUIT (AC-input VU-meter)



*Capacitor to be omitted when used as a DC-input signal meter.

This datasheet has been downloaded from:

www.DatasheetCatalog.com

Datasheets for electronic components.



LittleDiode supplies new, hard to find or obsolete electronic components and semiconductors all over the world.

With over two million different components listed you are sure to find the part you need.

Feel free to visit us today at our online store:

LittleDiode.com

Looking forward to providing you with the best possible service.