

# DS92LV18

## 18-Bit Bus LVDS Serializer/Deserializer - 15-66 MHz

### General Description

The DS92LV18 Serializer/Deserializer (SERDES) pair transparently translates a 18-bit parallel bus into a BLVDS serial stream with embedded clock information. This single serial stream simplifies transferring a 18-bit, or less, bus over PCB traces and cables by eliminating the skew problems between parallel data and clock paths. It saves system cost by narrowing data paths that in turn reduce PCB layers, cable width, and connector size and pins.

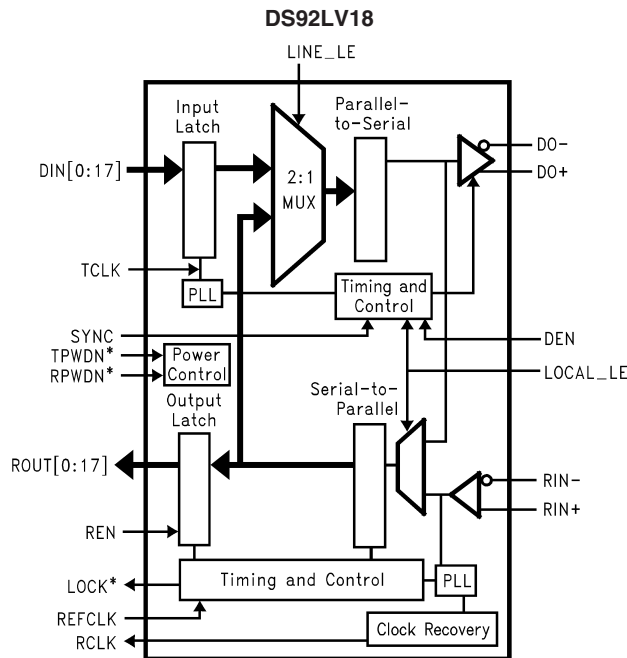
This SERDES pair includes built-in system and device test capability. The line loopback feature enables the user to check the integrity of the serial data transmission paths of the transmitter and receiver while deserializing the serial data to parallel data at the receiver outputs. The local loopback feature enables the user to check the integrity of the transceiver from the local parallel-bus side.

The DS92LV18 incorporates modified BLVDS signaling on the high-speed I/O. BLVDS provides a low power and low noise environment for reliably transferring data over a serial transmission path. The equal and opposite currents through the differential data path control EMI by coupling the resulting fringing fields together.

### Features

- 15–66 MHz 18:1/1:18 Serializer/Deserializer (2.376 Gbps full duplex throughput)
- Independent transmitter and receiver operation with separate clock, enable, and power down pins
- Hot plug protection (power up high impedance) and synchronization (receiver locks to random data)
- Wide  $\pm 5\%$  reference clock frequency tolerance for easy system design using locally-generated clocks
- Line and local loopback modes
- Robust BLVDS serial transmission across backplanes and cables for low EMI
- No external coding required
- Internal PLL, no external PLL components required
- Single +3.3V power supply
- Low power: 90mA (typ) transmitter, 100mA (typ) at 66 MHz with PRBS-15 pattern
- $\pm 100$  mV receiver input threshold
- Loss of lock detection and reporting pin
- Industrial  $-40$  to  $+85^\circ\text{C}$  temperature range
- $>2.0\text{kV}$  HBM ESD
- Compact, standard 80-pin LQFP package

### Block Diagram



TRI-STATE® is a registered trademark of National Semiconductor Corporation.

**Absolute Maximum Ratings** (Note 1)

If Military/Aerospace specified devices are required, please contact the National Semiconductor Sales Office/Distributors for availability and specifications.

Supply Voltage ( $V_{CC}$ )	-0.3V to +4V
LVC MOS/LVTTL Input Voltage	-0.3V to ( $V_{CC} + 0.3V$ )
LVC MOS/LVTTL Output Voltage	-0.3V to ( $V_{CC} + 0.3V$ )
Bus LVDS Receiver Input Voltage	-0.3V to +3.9V
Bus LVDS Driver Output Voltage	-0.3V to +3.9V
Bus LVDS Output Short Circuit Duration	10ms
Junction Temperature	+150°C
Storage Temperature	-65°C to +150°C
Lead Temperature (Soldering, 4 seconds)	+260°C

Maximum Package Power Dissipation Capacity

Package Derating:

	23.2 mW/°C above +25°C
80L LQFP	+25°C
$\theta_{JA}$	43°C/W
$\theta_{JC}$	11.1°C/W
ESD Rating (HBM)	>2.0kV

**Recommended Operating Conditions**

	Min	Nom	Max	Units
Supply Voltage ( $V_{CC}$ )	3.15	3.3	3.45	V
Operating Free Air Temperature ( $T_A$ )	-40	+25	+85	°C
Clock Rate	15		66	MHz
Supply Noise			100	mV (p-p)

**Electrical Characteristics**

Over recommended operating supply and temperature ranges unless otherwise specified.

Symbol	Parameter	Conditions	Pin/Freq.	Min	Typ	Max	Units	
<b>LVC MOS/LVTTL DC Specifications</b>								
$V_{IH}$	High Level Input Voltage		DEN, TCLK, TPWDN, DIN, SYNC, RCLK_R/F, REN, REFCLK, RPWDN	2.0		$V_{CC}$	V	
$V_{IL}$	Low Level Input Voltage			GND		0.8	V	
$V_{CL}$	Input Clamp Voltage	$I_{CL} = -18$ mA				-0.7	-1.5	V
$I_{IN}$	Input Current	$V_{IN} = 0V$ or 3.6V			-10	±2	+10	µA
$V_{OH}$	High Level Output Voltage	$I_{OH} = -9$ mA	$R_{OUT}$ , RCLK, LOCK	2.3	3.0	$V_{CC}$	V	
$V_{OL}$	Low Level Output Voltage	$I_{OL} = 9$ mA		GND	0.33	0.5	V	
$I_{OS}$	Output Short Circuit Current	$V_{OUT} = 0V$		-15	-48	-85	mA	
$I_{OZ}$	TRI-STATE TRI-STATE® Output Current	$\overline{PWRDN}$ or REN = 0.8V, $V_{OUT} = 0V$ or VCC	$R_{OUT}$ , RCLK	-10	±0.4	+10	µA	
<b>Bus LVDS DC specifications</b>								
$V_{TH}$	Differential Threshold High Voltage	VCM = +1.1V	RI+, RI-			+100	mV	
$V_{TL}$	Differential Threshold Low Voltage			-100		mV		
$I_{IN}$	Input Current	$V_{IN} = +2.4V$ , $V_{CC} = 3.6V$ or 0V		-10	±5	+10	µA	
		$V_{IN} = 0V$ , $V_{CC} = 3.6V$ or 0V		-10	±5	+10	µA	

## Electrical Characteristics (Continued)

Over recommended operating supply and temperature ranges unless otherwise specified.

Symbol	Parameter	Conditions	Pin/Freq.	Min	Typ	Max	Units
$V_{OD}$	Output Differential Voltage (DO+) - (DO-)	Figure 18, (Note 10), $R_L = 100\Omega$	DO+, DO-	350	500	550	mV
$\Delta V_{OD}$	Output Differential Voltage Unbalance				2	15	mV
$V_{OS}$	Offset Voltage			1.05	1.2	1.25	V
$\Delta V_{OS}$	Offset Voltage Unbalance				2.7	15	mV
$I_{OS}$	Output Short Circuit Current	DO = 0V, Din = H, $\overline{TPWDN}$ and DEN = 2.4V		-35	-50	-70	mA
$I_{OZ}$	TRI-STATE Output Current	$\overline{TPWDN}$ or DEN = 0.8V, DO = 0V OR VDD		-10	$\pm 1$	10	$\mu$ A
$I_{OX}$	Power-Off Output Current	VDD = 0V, DO = 0V or 3.6V		-10	$\pm 1$	10	$\mu$ A

### SER/DES SUPPLY CURRENT (DVDD, PVDD and AVDD pins)

$I_{CCT}$	Total Supply Current (includes load current)	$C_L = 15\text{pF}$ , $R_L = 100\Omega$	f = 66 MHz, PRBS-15 pattern		190		mA
		$C_L = 15\text{pF}$ , $R_L = 100\Omega$	f = 66 MHz, Worst case pattern (Checker-board pattern)		220	320	mA
$I_{CCX}$	Supply Current Powerdown	$\overline{PWRDN} = 0.8\text{V}$ , REN = 0.8V			1.5	3.0	mA

## Serializer Timing Requirements for TCLK

Over recommended operating supply and temperature ranges unless otherwise specified.

Symbol	Parameter	Conditions	Min	Typ	Max	Units
$t_{TCP}$	Transmit Clock Period		15.2	T	66.7	ns
$t_{TClH}$	Transmit Clock High Time		0.4T	0.5T	0.6T	ns
$t_{TClL}$	Transmit Clock Low Time		0.4T	0.5T	0.6T	ns
$t_{CLKT}$	TCLK Input Transition Time				3	6
$t_{JIT}$	TCLK Input Jitter	(Note 8)			80	ps (RMS)

## Serializer Switching Characteristics

Over recommended operating supply and temperature ranges unless otherwise specified.

Symbol	Parameter	Conditions	Min	Typ	Max	Units
$t_{LLHT}$	Bus LVDS Low-to-High Transition Time	Figure 3, (Note 8) $R_L = 100\Omega$ , $C_L = 10\text{pF}$ to GND		0.2	0.4	ns
$t_{LHLT}$	Bus LVDS High-to-Low Transition Time				0.2	0.4
$t_{DIS}$	DIN (0-17) Setup to TCLK	Figure 6, (Note 8)	2.4			ns
$t_{DIH}$	DIN (0-17) Hold from TCLK	$R_L = 100\Omega$ , $C_L = 10\text{pF}$ to GND	0			ns

## Serializer Switching Characteristics (Continued)

Over recommended operating supply and temperature ranges unless otherwise specified.

Symbol	Parameter	Conditions	Min	Typ	Max	Units
$t_{HZD}$	DO $\pm$ HIGH to TRI-STATE Delay	<i>Figure 7</i> (Note 4) $R_L = 100\Omega$ , $C_L = 10\text{pF}$ to GND		2.3	10	ns
$t_{LZD}$	DO $\pm$ LOW to TRI-STATE Delay			1.9	10	ns
$t_{ZHD}$	DO $\pm$ TRI-STATE to HIGH Delay			1.0	10	ns
$t_{ZLD}$	DO $\pm$ TRI-STATE to LOW Delay			1.0	10	ns
$t_{SPW}$	SYNC Pulse Width	<i>Figure 9</i> , $R_L = 100\Omega$	$5 \cdot t_{TCP}$		$6 \cdot t_{TCP}$	ns
$t_{PLD}$	Serializer PLL Lock Time	<i>Figure 8</i> , $R_L = 100\Omega$	$510 \cdot t_{TCP}$		$1024 \cdot t_{TCP}$	ns
$t_{SD}$	Serializer Delay	<i>Figure 10</i> , $R_L = 100\Omega$	$t_{TCP} + 1.0$	$t_{TCP} + 2.0$	$t_{TCP} + 4.0$	ns
$t_{RJIT}$	Random Jitter	Room Temp., 3.3V, 66 MHz		4.5		ps (RMS)
$t_{DJIT}$	Deterministic Jitter <i>Figure 16</i> , (Note 8)	15 MHz	-430		190	ps
		66 MHz	-40		70	ps

## Deserializer Timing Requirements for REFCLK

Over recommended operating supply and temperature ranges unless otherwise specified.

Symbol	Parameter	Conditions	Min	Typ	Max	Units
$t_{RFCP}$	REFCLK Period		15.2	T	66.7	ns
$t_{RFDC}$	REFCLK Duty Cycle		40	50	60	%
$t_{RFCP} / t_{TCP}$	Ratio of REFCLK to TCLK		0.95		1.05	
$t_{RFTT}$	REFCLK Transition Time				6	ns

## Deserializer Switching Characteristics

Over recommended operating supply and temperature ranges unless otherwise specified.

Symbol	Parameter	Conditions	Pin/Freq.	Min	Typ	Max	Units	
$t_{RCP}$	Receiver out Clock Period	$t_{RCP} = t_{TCP}$	RCLK	15.2		66.7	ns	
$t_{RDC}$	RCLK Duty Cycle		RCLK	45	50	55	%	
$t_{CLH}$	CMOS/TTL Low-to-High Transition Time	$CL = 15\text{ pF}$ <i>Figure 4</i>	ROUT(0-17), $\overline{\text{LOCK}}$ , RCLK		2.2	4	ns	
$t_{CHL}$	CMOS/TTL High-to-Low Transition Time				2.2	4	ns	
$t_{ROS}$	ROUT (0-9) Setup Data to RCLK	<i>Figure 12</i>			$0.35 \cdot t_{RCP}$	$0.5 \cdot t_{RCP}$		ns
$t_{ROH}$	ROUT (0-9) Hold Data to RCLK				$-0.35 \cdot t_{RCP}$	$-0.5 \cdot t_{RCP}$		ns

## Deserializer Switching Characteristics (Continued)

Over recommended operating supply and temperature ranges unless otherwise specified.

Symbol	Parameter	Conditions	Pin/Freq.	Min	Typ	Max	Units
$t_{HZR}$	HIGH to TRI-STATE Delay	<i>Figure 13</i>	ROUT(0-17), LOCK		2.2	10	ns
$t_{LZR}$	LOW to TRI-STATE Delay				2.2	10	ns
$t_{ZHR}$	TRI-STATE to HIGH Delay				2.3	10	ns
$t_{ZLR}$	TRI-STATE to LOW Delay				2.9	10	ns
$t_{DD}$	Deserializer Delay		RCLK	$1.75 \cdot t_{RCP} + 2.1$	$1.75 \cdot t_{RCP} + 4.0$	$1.75 \cdot t_{RCP} + 6.1$	ns
$t_{DSR1}$	Deserializer PLL Lock Time from Powerdown (with SYNCPAT)	<i>Figure 14,</i> (Note 7) (Note 8)	15MHz		3.7	10	$\mu$ s
			66 MHz		1.9	4	$\mu$ s
$t_{DSR2}$	Deserializer PLL Lock time from SYNCPAT	<i>Figure 15,</i> (Note 7) (Note 8)	15MHz		1.5	5	$\mu$ s
			66 MHz		0.9	2	$\mu$ s
$t_{RNMI-R}$	Ideal Deserializer Noise Margin Right	<i>Figure 17</i> (Note 6) (Note 8)	15 MHz			1490	ps
			66 MHz			180	ps
$t_{RNMI-L}$	Ideal Deserializer Noise Margin Left	<i>Figure 17</i> (Note 6) (Note 8)	15 MHz			1460	ps
			66 MHz			330	ps
$t_{JI}$	Total Interconnect Jitter Budget	(Note 9)	15 MHz			1060	ps
			66 MHz			160	ps

**Note 1:** "Absolute Maximum Ratings" are those values beyond which the safety of the device cannot be guaranteed. They are not meant to imply that the devices should be operated at these limits. The table of "Electrical Characteristics" specifies conditions of device operation.

**Note 2:** Typical values are given for  $V_{CC} = 3.3V$  and  $T_A = +25^\circ C$ .

**Note 3:** Current into device pins is defined as positive. Current out of device pins is defined as negative. Voltages are referenced to ground except VOD,  $\Delta VOD$ , VTH and VTL which are differential voltages.

**Note 4:** Due to TRI-STATE of the Serializer, the Deserializer will lose PLL lock and have to resynchronize before data transfer.

**Note 5:**  $t_{DSR1}$  is the time required by the deserializer to obtain lock when exiting powerdown mode.  $t_{DSR1}$  is specified with synchronization patterns (SYNCPATs) present at the LVDS inputs (RI+ and RI-) before exiting powerdown mode.  $t_{DSR2}$  is the time required to obtain lock for the powered-up and enabled deserializer when the LVDS input (RI+ and RI-) conditions change from not receiving data to receiving synchronization patterns. Both  $t_{DSR1}$  and  $t_{DSR2}$  are specified with the REFCLK running and stable.

**Note 6:**  $t_{RNMI}$  is a measure of how much phase noise (jitter) the deserializer can tolerate in the incoming data stream before bit errors occur. It is a measurement in reference with the ideal bit position, please see National's AN-1217 for detail.

**Note 7:** A sync pattern is a fixed pattern with 9-bits of data high followed by 9-bits of data low. The SYNC pattern is automatically generated by the transmitter when the SYNC pin is pulled high.

**Note 8:** Guaranteed by Design (GBD) using statistical analysis.

**Note 9:** Total Interconnect Jitter Budget ( $t_{JI}$ ) specifies the allowable jitter added by the interconnect assuming both transmitter and receiver are DS92LV18 circuits.  $t_{JI}$  is GBD using statistical analysis.

**Note 10:** The VOD specification is a measurement of the difference between the single-ended VOH and VOL output voltages across a 100 ohm load. Applying the formula  $OUT+ - OUT-$  to the differential outputs will result in a waveform with peak to peak amplitude equal to twice the datasheet indicated VOD.

# AC Timing Diagrams and Test Circuits

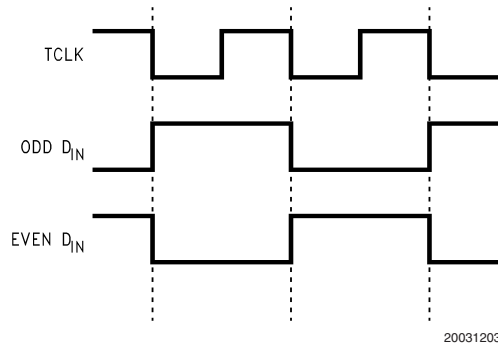


FIGURE 1. "Worst Case" Serializer ICC Test Pattern

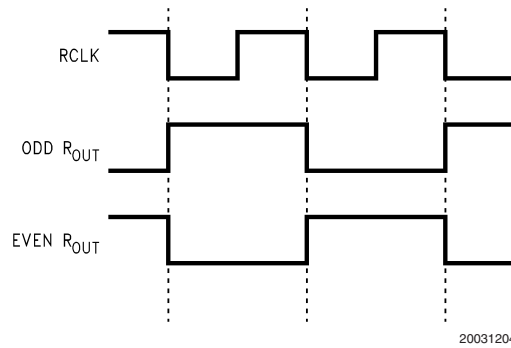


FIGURE 2. "Worst Case" Deserializer ICC Test Pattern

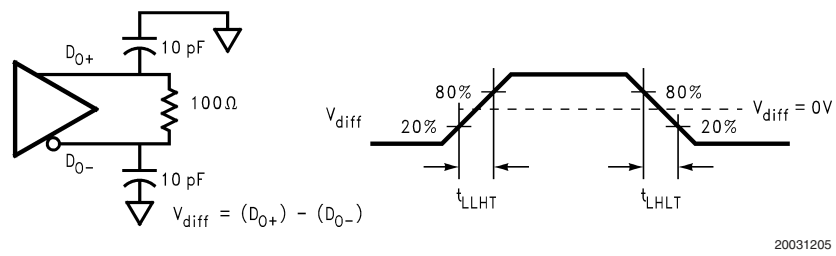


FIGURE 3. Serializer Bus LVDS Distributed Output Load and Transition Times

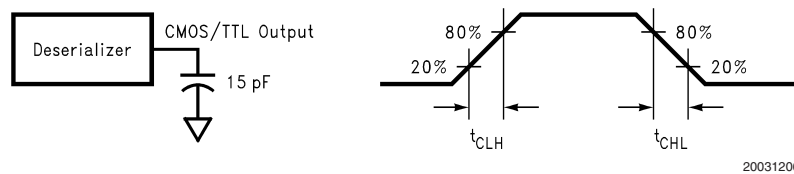


FIGURE 4. Deserializer CMOS/TTL Distributed Output Load and Transition Times

AC Timing Diagrams and Test Circuits (Continued)

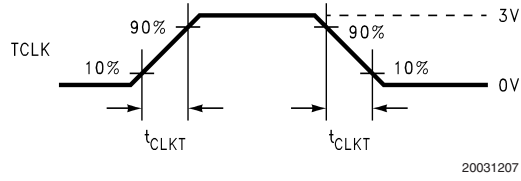


FIGURE 5. Serializer Input Clock Transition Time

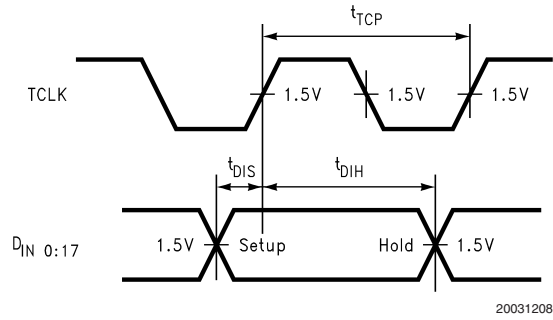


FIGURE 6. Serializer Setup/Hold Times

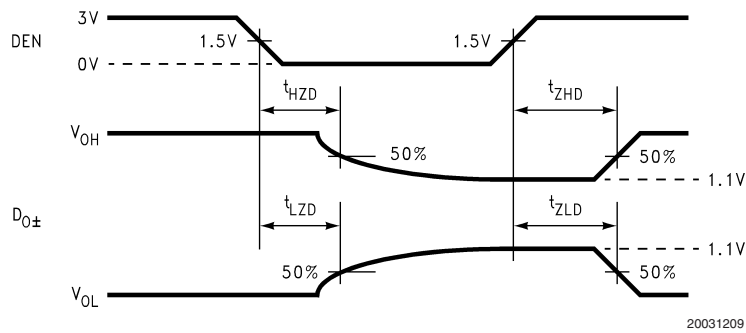
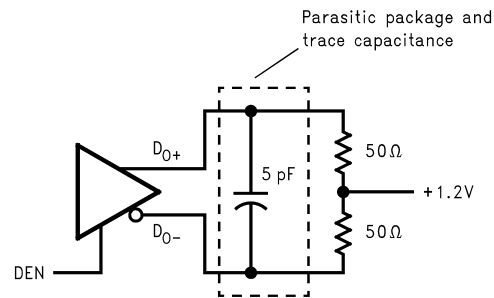


FIGURE 7. Serializer TRI-STATE Test Circuit and Timing

AC Timing Diagrams and Test Circuits (Continued)

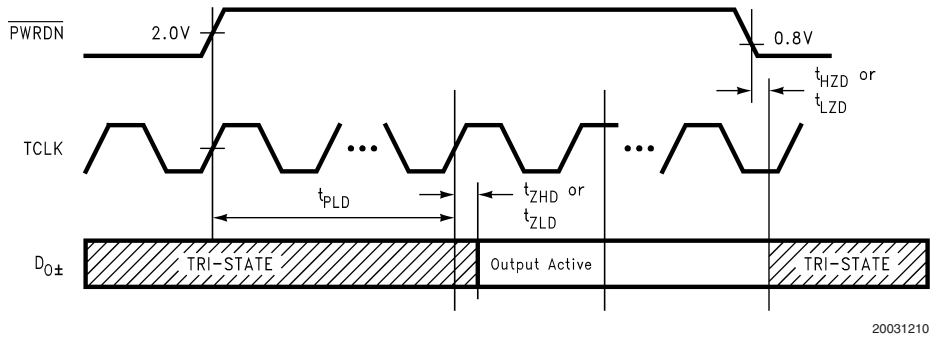


FIGURE 8. Serializer PLL Lock Time, and  $\overline{\text{PWRDN}}$  TRI-STATE Delays

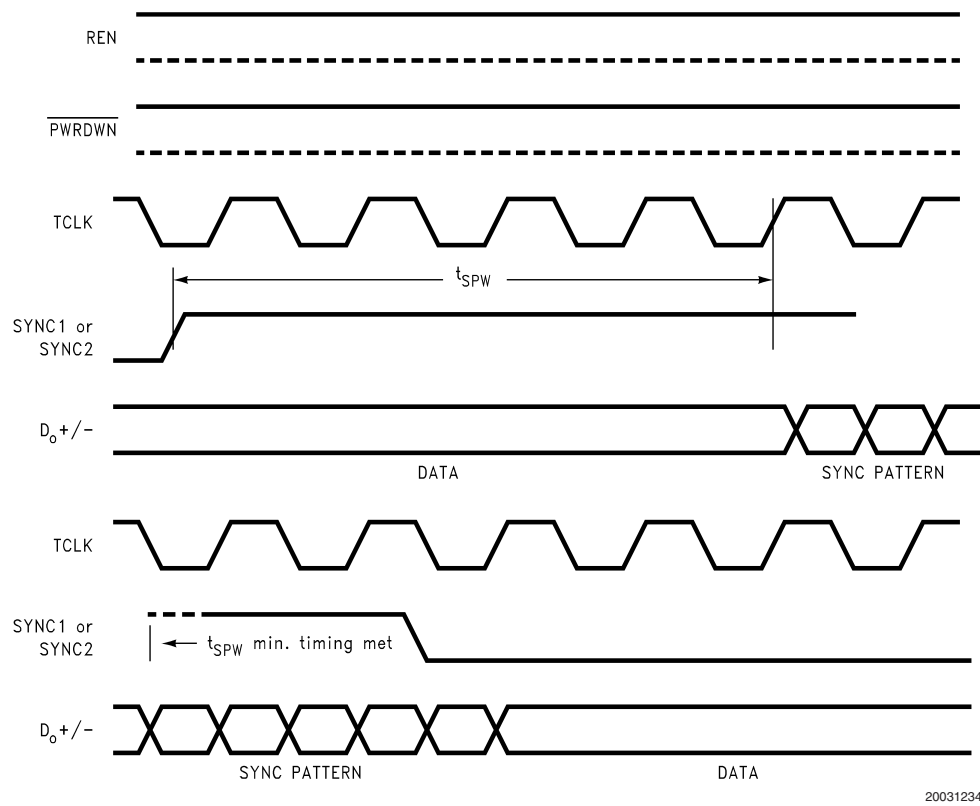


FIGURE 9. SYNC Timing Delay

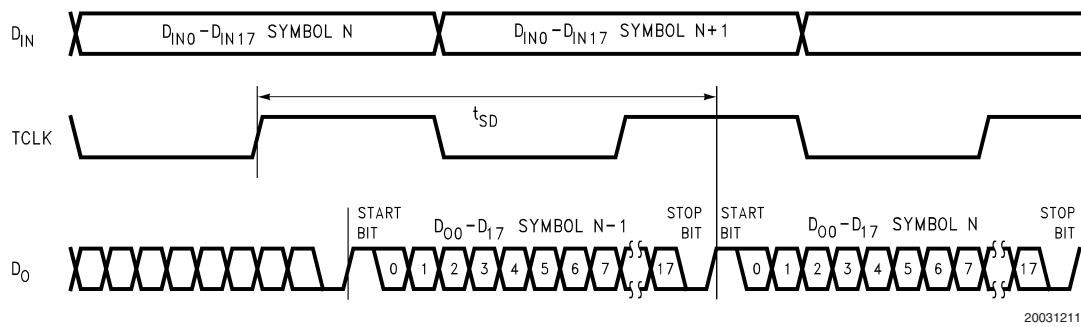


FIGURE 10. Serializer Delay

AC Timing Diagrams and Test Circuits (Continued)

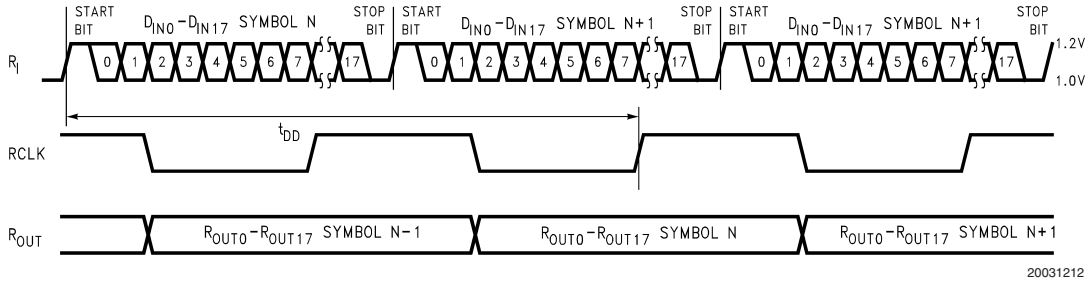


FIGURE 11. Deserializer Delay

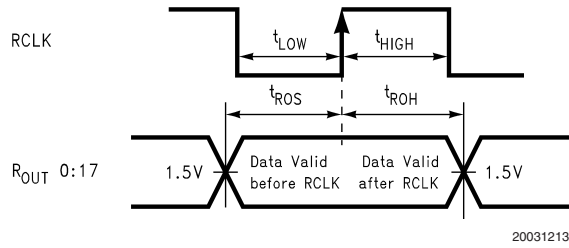


FIGURE 12. Deserializer Setup and Hold Times

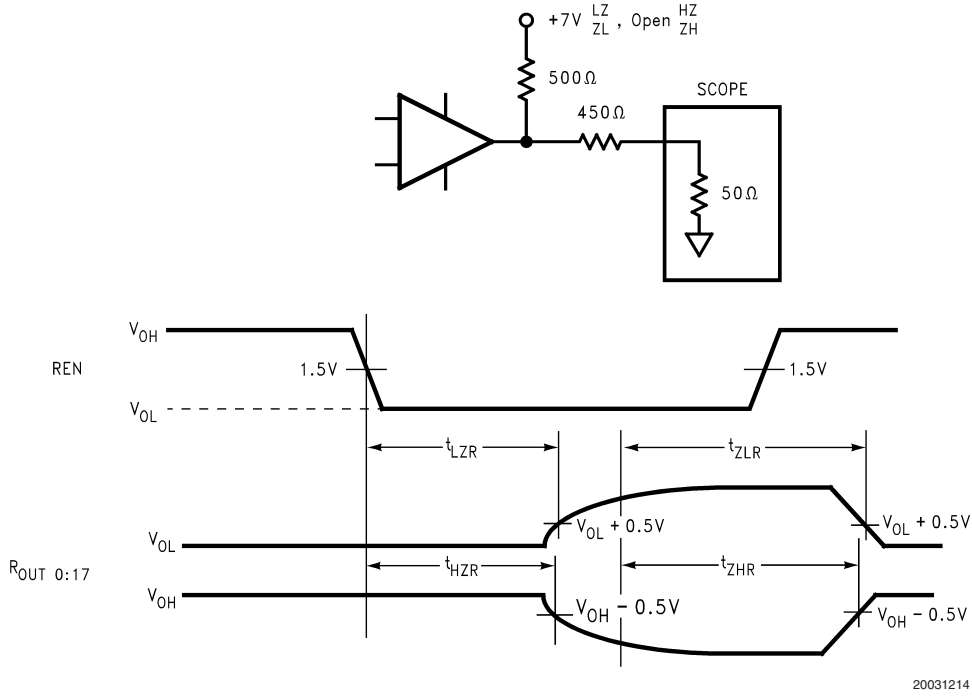
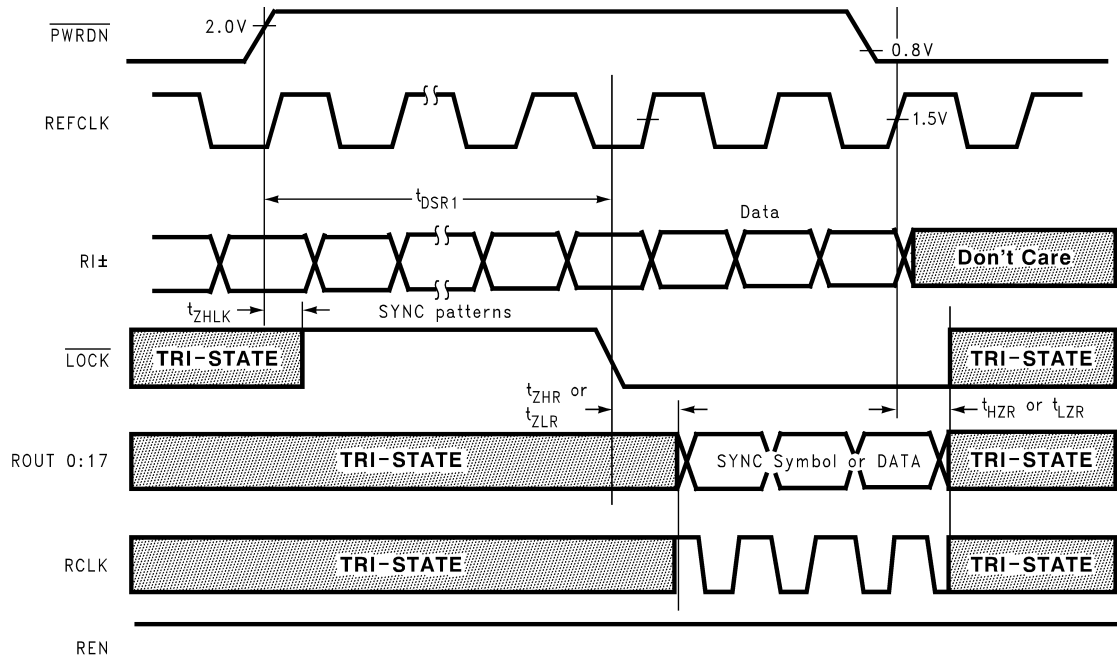


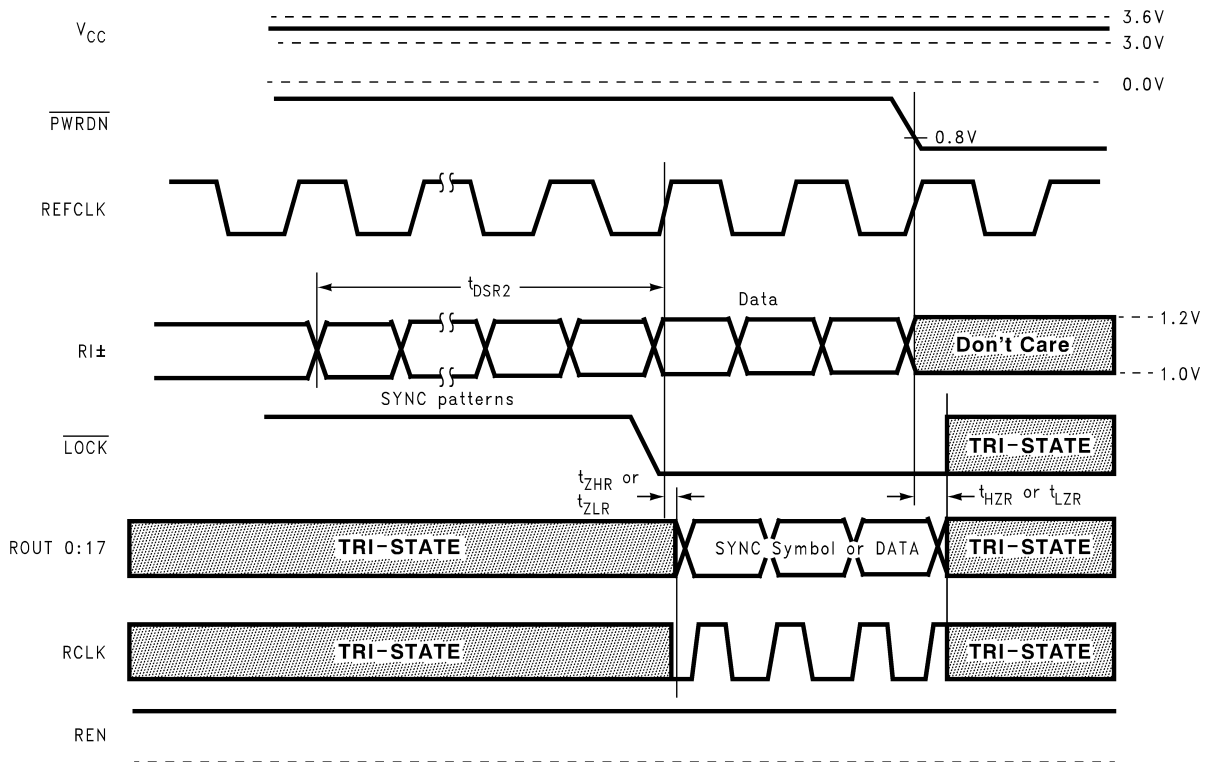
FIGURE 13. Deserializer TRI-STATE Test Circuit and Timing

AC Timing Diagrams and Test Circuits (Continued)



20031215

FIGURE 14. Deserializer PLL Lock Times and  $\overline{\text{PWRDN}}$  TRI-STATE Delays



20031222

FIGURE 15. Deserializer PLL Lock Time from SYNC PAT

AC Timing Diagrams and Test Circuits (Continued)

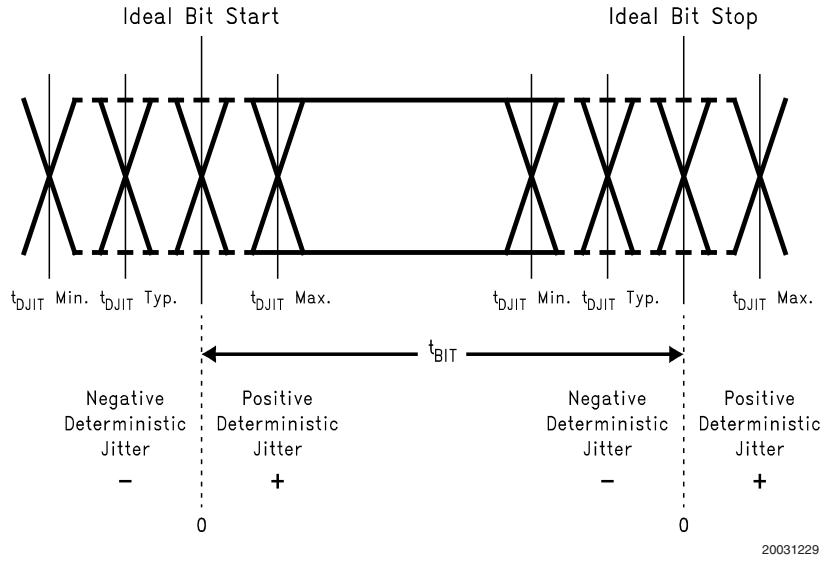
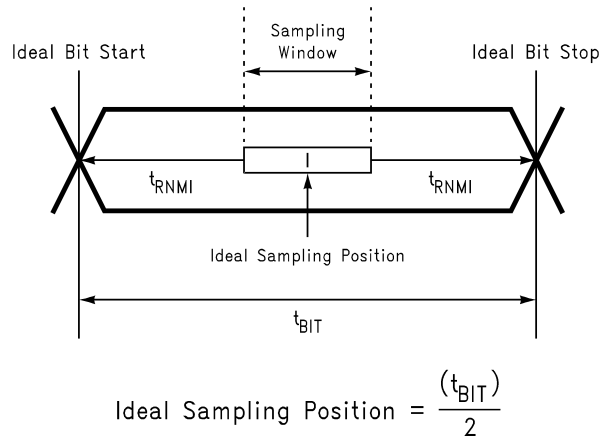


FIGURE 16. Deterministic Jitter and Ideal Bit Position

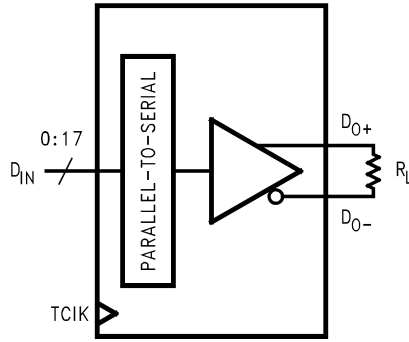


20031232

$t_{RNMI-L}$  is the noise margin on the left of the figure above.  
 $t_{RNMI-R}$  is the noise margin on the right of the above figure.

FIGURE 17. Deserializer Noise Margin ( $t_{RNMI}$ ) and Sampling window

AC Timing Diagrams and Test Circuits (Continued)

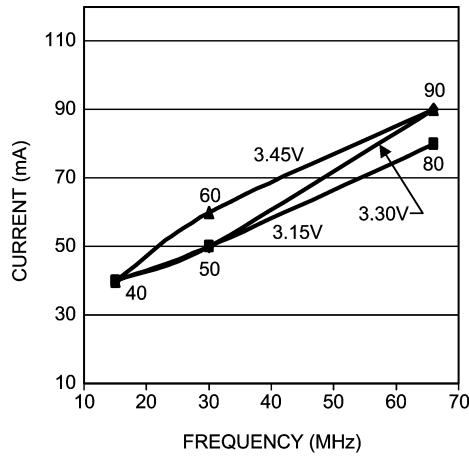


20031216

$V_{OD} = (DO^+) - (DO^-)$ .

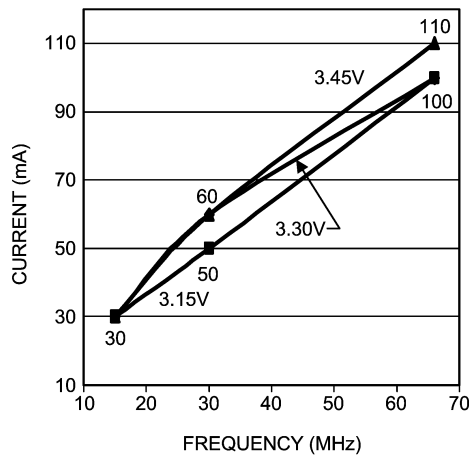
Differential output signal is shown as (DO+)-(DO-), device in Data Transfer mode.

FIGURE 18.  $V_{OD}$  Diagram



20031235

FIGURE 19. Typical ICC vs. Frequency with PRBS-15 Pattern (Transmitter Only)



20031236

FIGURE 20. Typical ICC vs. Frequency with PRBS-15 Pattern (Receiver Only)

## Functional Description

The DS92LV18 combines a serializer and deserializer onto a single chip. The serializer accepts an 18-bit LVCMOS or LVTTTL data bus and transforms it into a BLVDS serial data stream with embedded clock information. The deserializer then recovers the clock and data to deliver the resulting 18-bit wide words to the output.

The device has a separate transmit block and receive block that can operate independently of each other. Each has a power down control to enable efficient operation in various applications. For example, the transceiver can operate as a standby in a redundant data path but still conserve power. The part can be configured as a Serializer, Deserializer, or as a Full Duplex SER/DES.

The DS92LV18 serializer and deserializer blocks each have three operating states. They are the Initialization, Data Transfer, and Resynchronization states. In addition, there are two passive states: Powerdown and TRI-STATE.

The following sections describe each operation mode and passive state.

### Initialization

Before the DS92LV18 sends or receives data, it must initialize the links to and from another DS92LV18. Initialization refers to synchronizing the Serializer's and Deserializer's PLL's to local clocks. The local clocks must be the same frequency or within a specified range if from different sources. After the Serializers synchronize to the local clocks, the Deserializers synchronize to the Serializers as the second and final initialization step.

**Step 1:** When  $V_{CC}$  is applied to both Serializer and/or Deserializer, the respective outputs are held in TRI-STATE and internal circuitry is disabled by on-chip power-on circuitry. When  $V_{CC}$  reaches  $V_{CC\ OK}$  (2.2V) the PLL in each device begins locking to a local clock. For the Serializer, the local clock is the transmit clock, TCLK. For the Deserializer, the local clock is applied to the REFCLK pin. A local on-board oscillator or other source provides the specified clock input to the TCLK and REFCLK pin.

The Serializer outputs are held in TRI-STATE while the PLL locks to the TCLK. After locking to TCLK, the Serializer block is now ready to send data or synchronization patterns. If the SYNC pin is high, then the Serializer block generates and sends the synchronization patterns (sync-pattern).

The Deserializer output will remain in TRI-STATE while its PLL locks to the REFCLK. Also, the Deserializer  $\overline{LOCK}$  output will remain high until its PLL locks to incoming data or a sync-pattern on the RIN pins.

**Step 2:** The Deserializer PLL must synchronize to the Serializer to complete the initialization. The Serializer that is generating the stream to the Deserializer must send random (non-repetitive) data patterns or sync-patterns during this step of the Initialization State. The Deserializer will lock onto sync-patterns within a specified amount of time. The lock to random data depends on the data patterns and therefore, the lock time is unspecified.

In order to lock to the incoming LVDS data stream, the Deserializer identifies the rising clock edge in a sync-pattern and locks to it. If the Deserializer is locking to a random data stream from the Serializer, then it performs a series of operations to identify the rising clock edge and locks to it. Because this locking procedure depends on the data pattern, it is not possible to specify how long it will take. At the point when the Deserializer's PLL locks to the embedded

clock, the  $\overline{LOCK}$  pin goes low and valid data appears on the output. Note that the  $\overline{LOCK}$  signal is synchronous to valid data appearing on the outputs.

The user's application determines whether SYNC or lock-to-random-data mode is the preferred method for synchronization. If sync-patterns are preferred, the associated Deserializer's  $\overline{LOCK}$  pin is a convenient way to provide control of the Serializer's SYNC pin.

### Data Transfer

After initialization, the DS92LV18 Serializer is able to transfer data to the Deserializer. The serial data stream includes a start bit and stop bit appended by the serializer, which frames the eighteen data bits. The start bit is always high and the stop bit is always low. The start and stop bits also function as clock bits embedded in the serial stream.

The Serializer block accepts data from the DIN0-DIN17 parallel inputs. The TCLK signal latches the incoming data on the rising edge. If the SYNC input is high for 6 TCLK cycles, the DS92LV18 does not latch data from DIN0-DIN17.

The Serializer transmits the data and clock bits (18+2 bits) at 20 times the TCLK frequency. For example, if TCLK is 60 MHz, the serial rate is  $60 \times 20 = 1200$  Mbps. Since only 18 bits are from input data, the serial 'payload' rate is 18 times the TCLK frequency. For instance, if TCLK = 60 MHz, the payload data rate is  $60 \times 18 = 1080$  Mbps. TCLK is provided by the data source and must be in the range of 15 MHz to 66 MHz.

When the Deserializer channel synchronizes to the input from a Serializer, it drives its  $\overline{LOCK}$  pin low and synchronously delivers valid data on the output. The Deserializer locks to the embedded clock, uses it to generate multiple internal data strobes, and then drives the recovered clock to the RCLK pin. The recovered clock (RCLK output pin) is synchronous to the data on the ROUT[0:17] pins. While  $\overline{LOCK}$  is low, data on ROUT[0:17] is valid. Otherwise, ROUT[0:17] is invalid.

ROUT[0:17],  $\overline{LOCK}$ , and RCLK signals will drive a minimum of three CMOS input gates (15pF total load) at a 66 MHz clock rate. This drive capacity allows bussing outputs of multiple Deserializers to multiple destination ASIC inputs. REN controls TRI-STATE for ROUTn and the RCLK pin on the Deserializer.

The Deserializer input pins are high impedance during receiver powerdown (RPWDN low) and power-off ( $V_{CC} = 0V$ ).

### Resynchronization

If the Deserializer loses lock, it will automatically try to resynchronize. For example, if the embedded clock edge is not detected two times in succession, the PLL loses lock and the  $\overline{LOCK}$  pin is driven high. The Deserializer then enters the operating mode where it tries to lock to a random data stream. It looks for the embedded clock edge, identifies it and then proceeds through the synchronization process.

The logic state of the  $\overline{LOCK}$  signal indicates whether the data on ROUT is valid; when it is low, the data is valid. The system must monitor the  $\overline{LOCK}$  pin to determine whether data on the ROUT is valid. Because there is a short delay in the  $\overline{LOCK}$  signal's response to the PLL losing synchronization to the incoming data stream, the system must determine the validity of data for the cycles before the  $\overline{LOCK}$  signal goes high.

## Resynchronization (Continued)

The user can choose to resynchronize to the random data stream or to force fast synchronization by pulsing the Serializer's SYNC pin. Lock times depend on serial data stream characteristics. The primary constraint on the "random" lock time is the initial phase relation between the incoming data and the REFCLK when the Deserializer powers up. An advantage of using the SYNC pattern to force synchronization is the ability for the user to predict the delay before the PLL regains lock. This scheme is left up to the user discretion. One recommendation is to provide a feedback loop using the LOCK pin itself to control the sync request of the Serializer, which is the SYNC pin.

If a specific pattern is repetitive, the Deserializer's PLL will not lock in order to prevent the Deserializer from locking to the data pattern rather than the clock. We refer to such pattern as a repetitive multi-transition, RMT. This occurs when more than one Low-High transition takes places in a clock cycle over multiple cycles. This occurs when any bit, except DIN 17, is held at a low state and the adjacent bit is held high, creating a 0-1 transition. The internal circuitry accomplishes this by detecting more than one potential position for clocking bits. Upon detection, the circuitry will prevent the LOCK output from becoming active until the RMT pattern changes. Once the RMT pattern changes and the internal circuitry recognizes the clock bits in the serial data stream, the PLL of the Deserializer will lock, which will drive the LOCK output to low and the output data ROUTn will become valid.

## Powerdown

The Powerdown state is a low power sleep mode that the Serializer and Deserializer will occupy while waiting for initialization. You can also use  $\overline{\text{TPWDN}}$  and  $\overline{\text{RPWDN}}$  to reduce power when there are no pending data transfers. The Deserializer enters powerdown mode when  $\overline{\text{RPWDN}}$  is driven low. In powerdown mode, the PLL stops and the outputs enter TRI-STATE, which reduces supply current to the  $\mu\text{A}$  range.

To bring the Deserializer block out of the Powerdown state, the system drives  $\overline{\text{RPWDN}}$  high. When the Deserializer exits Powerdown, it automatically enters the Initialization state. The system must then allow time for Initialization before data transfer can begin.

The  $\overline{\text{TPWDN}}$  pin driven low forces the Serializer block into low power consumption, where the supply current is in the  $\mu\text{A}$  range. The Serializer PLL stops and the output goes into a TRI-STATE condition.

To bring the Serializer block out of the powerdown state, the system drives  $\overline{\text{TPWDN}}$  high. When the Serializer exits Powerdown, its PLL must lock to TCLK before it is ready for the Initialization state. The system must then allow time for Initialization before data transfer can begin.

## TRI-STATE

When the system drives the REN pin low, the Deserializer's outputs enter TRI-STATE. This will TRI-STATE the receiver output pins (ROUT[0:17]) and RCLK. When the system drives REN high, the Deserializer will return to the previous state as long as all other control pins remain static ( $\overline{\text{RPWDN}}$ ).

When the system drives the DEN pin low, the Serializer's LVDS outputs enter TRI-STATE. When the system drives the

DEN signal high, the Serializer output will return to the previous state as long as all other control and data input pins remain in the same condition before DEN was driven low.

## Loopback Test Operation

The DS92LV18 includes two Loopback modes for testing the device functionality and the transmission line continuity. Asserting the Line Loopback control signal connects the serial data input (RIN $\pm$ ) to the serial data output (DO $\pm$ ) and to the parallel data output (ROUT[0:17]). The serial data goes through deserializer and serializer blocks.

Asserting the Local Loopback control signal connects the parallel data input (DIN[0:17]) back to the parallel data output (ROUT[0:17]). The connection route includes all the functional blocks of the SER/DES Pair. The serial data output (DO $\pm$ ) is automatically disabled during the Local Loopback operating mode.

Please note that when switching between normal, line, or loopback modes, the deserializer will need to relock. In order for the serializer and deserializer to resync, the TCLK and REFCLK frequencies must be within  $\pm 5\%$  of each other.

## Application Information

### USING THE DS92LV18

The DS92LV18 combines a Serializer and Deserializer onto a single chip that sends 18 bits of parallel TTL data over a serial Bus LVDS link up to 1.32 Gbps. Serialization of the input data is accomplished using an on-board PLL at the Serializer which embeds two clock bits with the data. The Deserializer uses a separate reference clock (REFCLK) and an on-board PLL to extract the clock information from the incoming data stream and deserialize the data. The Deserializer monitors the incoming clock information to determine lock status and will indicate loss of lock by asserting the LOCK output high.

### POWER CONSIDERATIONS

An all CMOS design of the Serializer and Deserializer makes them inherently low power devices. Additionally, the constant current source nature of the LVDS outputs minimize the slope of the speed vs.  $I_{\text{CC}}$  curve of CMOS designs.

### POWERING UP THE DESERIALIZER

The REFCLK input can be running before the Deserializer is powered up and it must be running in order for the Deserializer to lock to incoming data. The Deserializer outputs will remain in TRI-STATE until the Deserializer detects data transmission at its inputs and locks to the incoming serial data stream.

### NOISE MARGIN

The Deserializer noise margin is the amount of input jitter (phase noise) that the Deserializer can tolerate and still reliably recover data. Various environmental and systematic factors include:

Serializer: TCLK jitter,  $V_{\text{CC}}$  noise (noise bandwidth and out-of-band noise)

Media: ISI,  $V_{\text{CM}}$  noise

Deserializer:  $V_{\text{CC}}$  noise

For a graphical representation of noise margin, please see *Figure 17*.

## Application Information (Continued)

### RECOVERING FROM LOCK LOSS

In the case where the Serializer loses lock during data transmission, up to 5 cycles of data that were previously received could be invalid. This is due to a delay in the lock detection circuit. The lock detect circuit requires that invalid clock information be received 2 times in a row to indicate loss of lock. Since clock information has been lost, it is possible that data was also lost during these cycles. If the Deserializer **LOCK** pin goes low, data from at least the previous 5 cycles should be resent upon regaining lock.

Lock can be regained at the Deserializer by causing the Serializer to resend SYNC patterns as described above or by random data locking which can take more time depending upon the data patterns being received.

### INPUT FAILSAFE

In the event that the Deserializer is disconnected from the Serializer, or the Deserializer loses lock, the failsafe circuitry is designed to reject a certain amount of noise from being interpreted as data or clock. The Deserializer outputs (ROUT [0:17] and RCLK) will be asserted HIGH.

### HOT INSERTION

All of National's LVDS devices are hot pluggable if you follow a few rules. When inserting, ensure the Ground pin(s) makes contact first, then the VCC pin(s), then the I/O pin(s). When removing, the I/O pins should be unplugged first, then VCC, then Ground.

### PCB LAYOUT AND POWER SYSTEM CONSIDERATIONS

Circuit board layout and stack-up for the BLVDS devices should be designed to provide low-noise power feed to the device. Good layout practice will also separate high-frequency or high-level inputs and outputs to minimize unwanted stray noise pickup, feedback and interference. Power system performance may be greatly improved by using thin dielectrics (2 to 4 mils) for power / ground sandwiches. This arrangement provides plane capacitance for the PCB power system with low-inductance parasitics, which has proven especially effective at high frequencies above approximately 50MHz, and makes the value and placement of external bypass capacitors less critical. External bypass capacitors should include both RF ceramic and tantalum electrolytic types. RF capacitors may use values in the range of 0.01 uF to 0.1 uF. Tantalum capacitors may be in the 2.2 uF to 10 uF range. Voltage rating of the tantalum capacitors should be at least 5X the power supply voltage being used.

It is a recommended practice to use two vias at each power pin as well as at all RF bypass capacitor terminals. Dual vias reduce the interconnect inductance by up to half, thereby reducing interconnect inductance and extending the effective frequency range of the bypass components. Locate RF capacitors as close as possible to the supply pins, and use wide low impedance traces (not 50 Ohm traces). Surface mount capacitors are recommended due to their smaller parasitics. When using multiple capacitors per supply pin, locate the smaller value closer to the pin. A large bulk capacitor is recommended at the point of power entry. This is typically in the 50uF to 100uF range and will smooth low frequency switching noise. It is recommended to connect power and ground pins directly to the power and ground planes with bypass capacitors connected to the plane with

via on both ends of the capacitor. Connecting power or ground pins to an external bypass capacitor will increase the inductance of the path.

A small body size X7R chip capacitor, such as 0603, is recommended for external bypass. Its small body size reduces the parasitic inductance of the capacitor. The user must pay attention to the resonance frequency of these external bypass capacitors, usually in the range of 20-30 MHz range. To provide effective bypassing, multiple capacitors are often used to achieve low impedance between the supply rails over the frequency of interest. At high frequency, it is also a common practice to use two vias from power and ground pins to the planes, reducing the impedance at high frequency.

Some devices provide separate power and ground pins for different portions of the circuit. This is done to isolate switching noise effects between different sections of the circuit. Separate planes on the PCB are typically not required. Pin Description tables typically provide guidance on which circuit blocks are connected to which power pin pairs. In some cases, an external filter may be used to provide clean power to sensitive circuits such as PLLs.

Use at least a four layer board with a power and ground plane. Locate CMOS (TTL) signals away from the LVDS lines to prevent coupling from the CMOS lines to the LVDS lines. Closely-coupled differential lines of 100 Ohms are typically recommended for LVDS interconnect. The closely-coupled lines help to ensure that coupled noise will appear as common-mode and thus is rejected by the receivers. The tightly coupled lines will also radiate less.

Termination of the LVDS interconnect is required. For point-to-point applications, termination should be located at the load end. Nominal value is 100 Ohms to match the line's differential impedance. Place the resistor as close to the receiver inputs as possible to minimize the resulting stub between the termination resistor and receiver.

Additional general guidance can be found in the LVDS Owner's Manual - available in PDF format from the national web site at: [www.national.com/lvds](http://www.national.com/lvds)

Specific guidance for this device is provided next.

### DS92LV18 BLVDS SER/DES PAIR

General device specific guidance is given below. Exact guidance can not be given as it is dictated by other board level /system level criteria. This includes the density of the board, power rails, power supply, and other integrated circuit power supply needs.

### DVDD = DIGITAL SECTION POWER SUPPLY

These pins supply the digital portion of the device as well as the receiver output buffers. The Deserializer's DVDD requires more bypass to power the outputs under synchronous switching conditions. The Serializer's DVDD is less critical. The receiver's DVDD pins power 4 outputs from each DVDD pin. An estimate of local capacitance required indicates a minimum of 22nF is required. This is calculated by taking 4 times the maximum short current ( $4 \times 70 = 280\text{mA}$ ), multiplying by the rise time of the part (4ns), and dividing by the maximum allowed droop in VDD (assume 50mV) yields 22.4nF. Rounding up to a standard value, 0.1uF is selected for each DVDD pin.

## Application Information (Continued)

### PVDD = PLL SECTION POWER SUPPLY

The PVDD pin supplies the PLL circuit. Note that the DS92LV18 has two separate PLL and supply pins. The PLL(s) require clean power for the minimization of jitter. A supply noise frequency in the 300 kHz to 1 MHz range can cause increased output jitter. Certain power supplies may have switching frequencies or high harmonic content in this range. If this is the case, filtering of this noise spectrum may be required. A notch filter response is best to provide a stable VDD, suppression of the noise band, and good high-frequency response (clock fundamental). This may be accomplished with a pie filter (CRC or CLC). If employed, a separate pie filter is recommended for each PLL to minimize drop in potential due to the series resistance. The pie filter should be located close to the PVDD power pin. Separate power planes for the PVDD pins is typically not required.

### AVDD = LVDS SECTION POWER SUPPLY

The AVDD pins power the LVDS portion of the circuit. The DS92LV18 has four AVDD pins. Due to the nature of the design, current draw is not excessive on these pins. A 0.1uF

capacitor is sufficient for these pins. If space is available, a 0.01uF capacitor may be used in parallel with the 0.1uF capacitor for additional high frequency filtering.

### GROUNDING

The AGND pin should be connected to the signal common in the cable for the return path of any common-mode current. Most of the LVDS current will be odd-mode and return within the interconnect pair. A small amount of current may be even-mode due to coupled noise and driver imbalances. This current should return via a low impedance known path.

A solid ground plane is recommended for both DVDD, PVDD or AVDD. Using a split plane may cause ground loops or a difference in ground potential at various ground pins of the device.

## Truth Tables

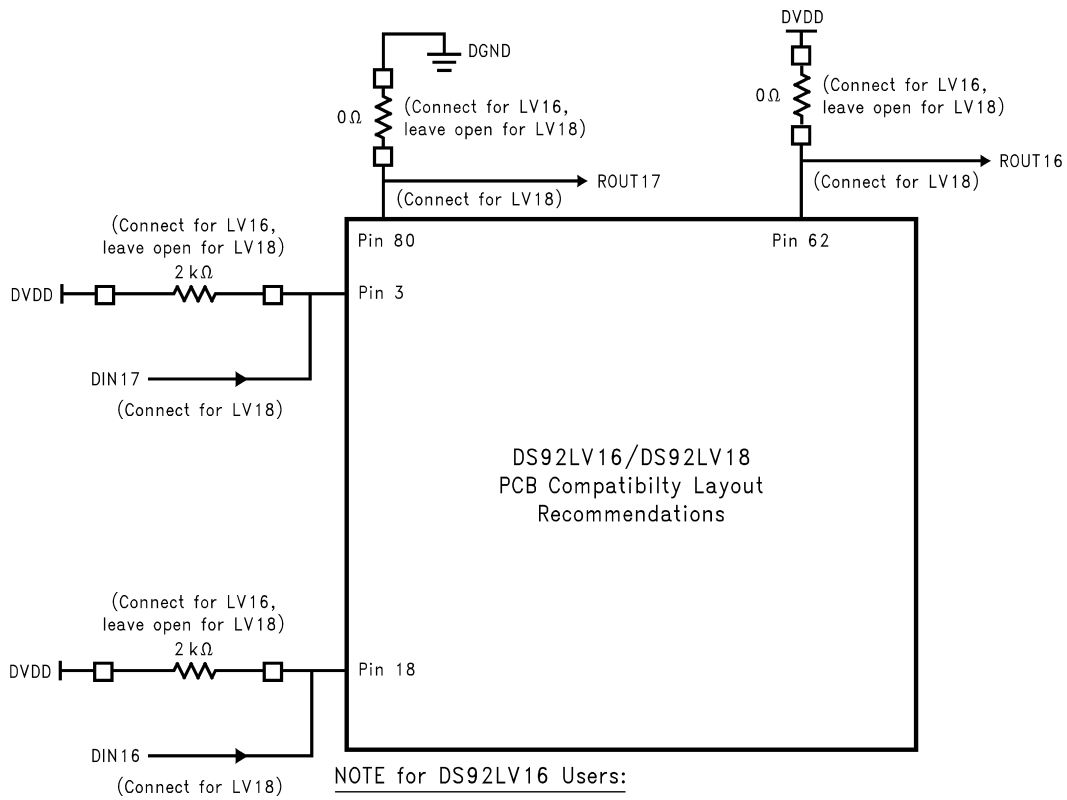
Transmitter Truth Table			
$\overline{\text{TPWDN}}$ (Pin 42)	DEN (Pin 19)	TX PLL Status (Internal)	LVDS Outputs (Pins 13 and 14)
L	X	X	Hi Z
H	L	X	Hi Z
H	H	Not Locked	Hi Z
H	H	Locked	Serialized Data with Embedded Clock

Receiver Truth Table				
$\overline{\text{RPWDN}}$ (Pin 01)	REN (Pin 02)	RX PLL Status (Internal)	ROUTn & RCLK (See Pin Diagram)	$\overline{\text{LOCK}}$ (Pin 63)
L	X	X	Hi Z	Hi Z
H	L	X	Hi Z	L = PLL Locked; H = PLL Unlocked
H	H	Not Locked	H	H
H	H	Locked	Data & CLK Active	L

## Footprint Changes between the DS92LV16 and the DS92LV18

DS92LV16 vs. DS92LV18 Footprint Changes		
Pin Number	DS92LV16	DS92LV18
3	CONFIG1	DIN17
18	CONFIG2	DIN16
62	DVDD	ROUT16
80	DGND	ROUT17

## PCB Compatibility Between the DS92LV16 and DS92LV18



**NOTE for DS92LV16 Users:**

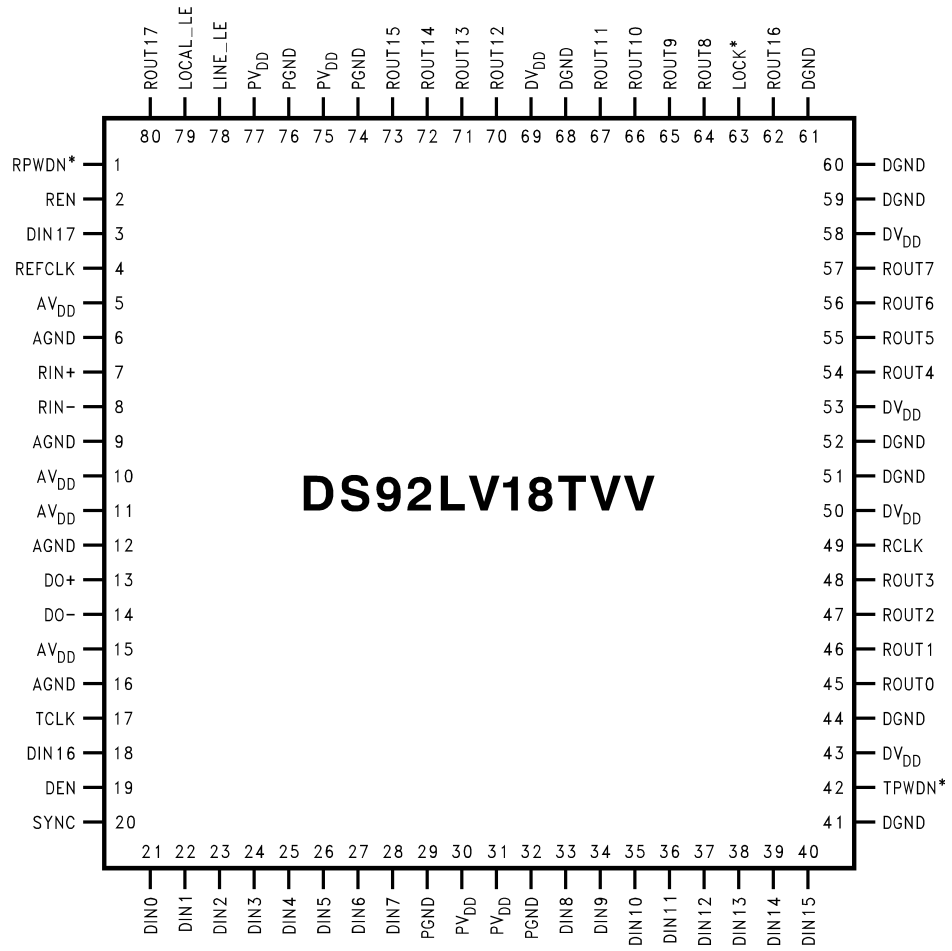
Pins 3 and 18 are the CONFIG1 and CONFIG2 pins for the DS92LV16. These were rise/fall clock-edge control pins that are no longer supported. They must be tied static HIGH and not switched during normal operation.

20031233

**FIGURE 21.**

# Pin Diagram

DS92LV18TVV  
Top View



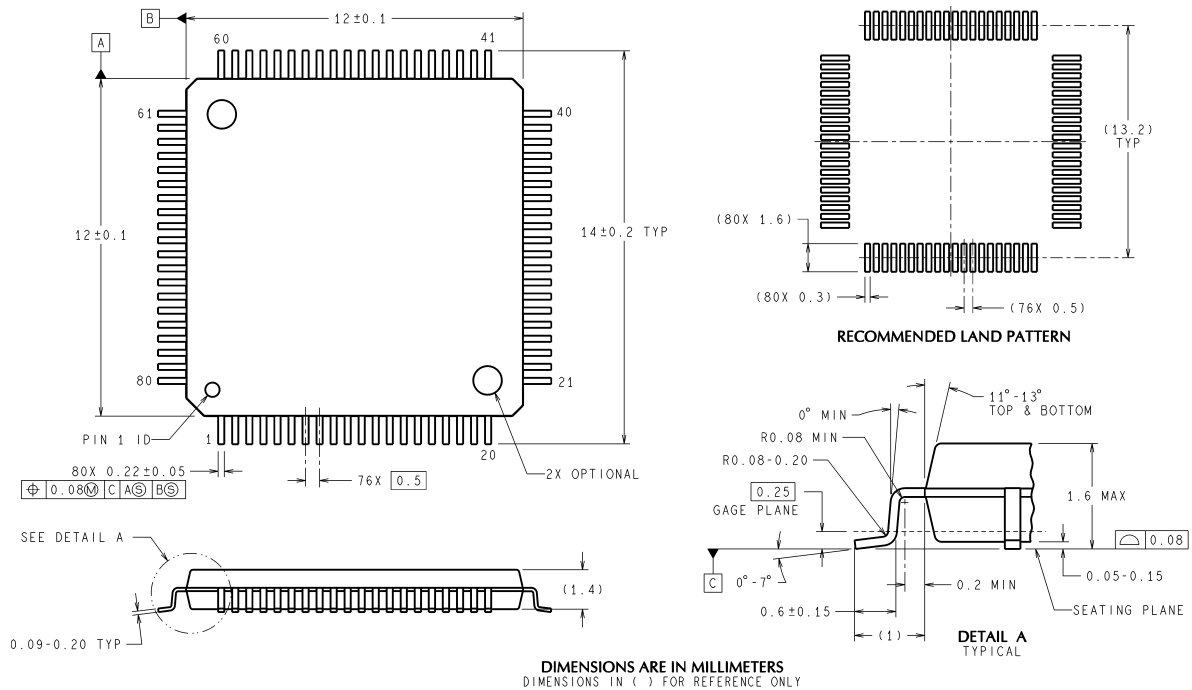
20031202

## Pin Descriptions

Pin #	Pin Name	I/O	Description
1	$\overline{\text{RPWDN}}$	CMOS, I	$\overline{\text{RPWDN}}$ = Low will put the Receiver in low power, stand-by, mode. Note: The Receiver PLL will lose lock.(Note 11)
2	REN	CMOS, I	REN = Low will disable the Receiver outputs. Receiver PLL remains locked. (See $\overline{\text{LOCK}}$ pin description)(Note 11)
4	REFCLK	CMOS, I	Frequency reference clock input for the receiver.
5, 10, 11, 15	AVDD		Analog Voltage Supply
6,9,12,16	AGND		Analog Ground
7	RIN+	LVDS, I	Receiver LVDS True Input
8	RIN-	LVDS, I	Receiver LVDS Inverting Input
13	DO+	LVDS, O	Transmitter LVDS True Output
14	DO-	LVDS, O	Transmitter LVDS Inverting Output
17	TCLK	CMOS, I	Transmitter reference clock. Used to strobe data at the DIN Inputs and to drive the transmitter PLL. See TCLK Timing Requirements.
19	DEN	CMOS, I	DEN = Low will disable the Transmitter outputs. The transmitter PLL will remain locked.(Note 11)
20	SYNC	CMOS, I	SYNC = High will cause the transmitter to ignore the data inputs and send SYNC patterns to provide a locking reference to receiver(s). See Functional Description.(Note 11)
3, 18,21, 22, 23, 24, 25, 26, 27, 28, 33, 34, 35, 36, 37, 38, 39, 40	DIN (0:17)	CMOS, I	Transmitter data inputs.(Note 11)
29,32	PGND		PLL Ground.
30,31	PVDD		PLL Voltage supply.
41, 44, 51, 52, 59, 60, 61, 68	DGND		Digital Ground.
42	$\overline{\text{TPWDN}}$	CMOS, I	$\overline{\text{TPWDN}}$ = Low will put the Transmitter in low power, stand-by mode. Note: The transmitter PLL will lose lock.(Note 11)
43, 50, 53, 58, 69	DVDD		Digital Voltage Supplies.
45, 46, 47, 48, 54, 55, 56, 57, 62, 64, 65, 66, 67, 70, 71, 72, 73, 80	ROUT (0:17)	CMOS, O	Receiver Outputs.
49	RCLK	CMOS, O	Recovered Clock. Parallel data rate clock recovered from embedded clock. Used to strobe ROUT (0:17). LVCMOS Level output.
63	$\overline{\text{LOCK}}$	CMOS, O	$\overline{\text{LOCK}}$ indicates the status of the receiver PLL. $\overline{\text{LOCK}}$ = H - receiver PLL is unlocked, $\overline{\text{LOCK}}$ = L - receiver PLL is locked.
74,76	PGND		PLL Grounds.
75,77	PVDD		PLL Voltage Supplies.
78	LINE_LE	CMOS, I	LINE_LE = High enables the receiver loopback mode. Data received at the RIN $\pm$ inputs is fed back through the DO $\pm$ outputs.(Note 11)
79	LOCAL_LE	CMOS, I	LOCAL_LE = High enables the transmitter loopback mode. Data received at the DIN inputs is fed back through the ROUT outputs.(Note 11)

**Note 11:** Input defaults to "low" state when left open due to an internal on-chip pull-down circuit.

**Physical Dimensions** inches (millimeters) unless otherwise noted



**Dimensions shown in millimeters only  
Order Number DS92LV18TVV  
NS Package Number VHG80A**

VHG80A (Rev E)

National does not assume any responsibility for use of any circuitry described, no circuit patent licenses are implied and National reserves the right at any time without notice to change said circuitry and specifications.

For the most current product information visit us at [www.national.com](http://www.national.com).

**LIFE SUPPORT POLICY**

NATIONAL'S PRODUCTS ARE NOT AUTHORIZED FOR USE AS CRITICAL COMPONENTS IN LIFE SUPPORT DEVICES OR SYSTEMS WITHOUT THE EXPRESS WRITTEN APPROVAL OF THE PRESIDENT AND GENERAL COUNSEL OF NATIONAL SEMICONDUCTOR CORPORATION. As used herein:

1. Life support devices or systems are devices or systems which, (a) are intended for surgical implant into the body, or (b) support or sustain life, and whose failure to perform when properly used in accordance with instructions for use provided in the labeling, can be reasonably expected to result in a significant injury to the user.
2. A critical component is any component of a life support device or system whose failure to perform can be reasonably expected to cause the failure of the life support device or system, or to affect its safety or effectiveness.

**BANNED SUBSTANCE COMPLIANCE**

National Semiconductor follows the provisions of the Product Stewardship Guide for Customers (CSP-9-111C2) and Banned Substances and Materials of Interest Specification (CSP-9-111S2) for regulatory environmental compliance. Details may be found at: [www.national.com/quality/green](http://www.national.com/quality/green).

Lead free products are RoHS compliant.



**National Semiconductor**  
Americas Customer  
Support Center  
Email: [new.feedback@nsc.com](mailto:new.feedback@nsc.com)  
Tel: 1-800-272-9959

**National Semiconductor**  
Europe Customer Support Center  
Fax: +49 (0) 180-530 85 86  
Email: [europa.support@nsc.com](mailto:europa.support@nsc.com)  
Deutsch Tel: +49 (0) 69 9508 6208  
English Tel: +44 (0) 870 24 0 2171  
Français Tel: +33 (0) 1 41 91 8790

**National Semiconductor**  
Asia Pacific Customer  
Support Center  
Email: [ap.support@nsc.com](mailto:ap.support@nsc.com)

**National Semiconductor**  
Japan Customer Support Center  
Fax: 81-3-5639-7507  
Email: [jpn.feedback@nsc.com](mailto:jpn.feedback@nsc.com)  
Tel: 81-3-5639-7560