

## HRD05003

## Specifications

## 1. Maximum ratings

Input Voltage	0 to 50 VDC	
Remote On/Off Terminals Impressed Voltage	0 to $V_{in}-2V$	
Operating Ambient Temperature	-10°C to 80°C	Refer to the Derating Chart (Fig. 2)
Storage Temperature	-30°C to 100°C	
Operating Surface Temperature	Max. 100°C	

## 2. Characteristics (at 25°C)

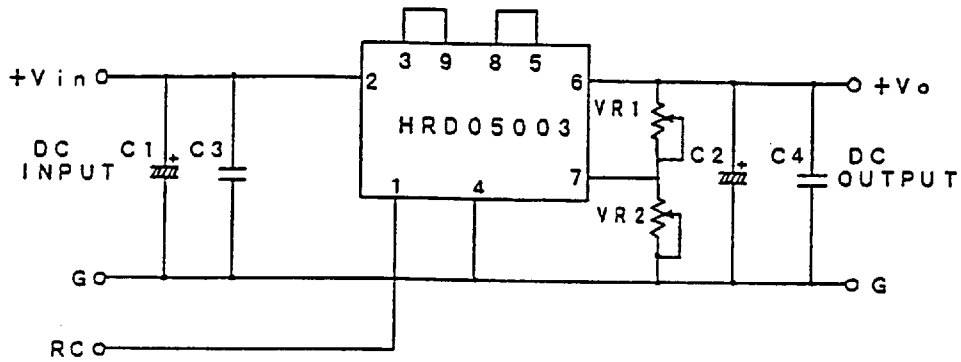
Input		
Voltage Range	8 to 40VDC	
Efficiency	80%(Avr.) 73%(Min.)	$V_{in} = 24V, I_o = 3A$
Operating Frequency	240 to 360 kHz	$V_{in} = 24V, I_o = 3A$
Output		
Regulation	4.8V to 5.3V	Note 1
Deviation from Output Voltage Setting Point (at 5V)	4.82 to 5.18V	$V_{in} = 24V, I_o = 3A$
Output Voltage Fluctuation	Line	38mV $V_{in} = 8V$ to 40V
	Load	95mV $I_o = 0A$ to 3A
	Temp. drift coefficient	$\pm 0.33$ mV/°C
Output Current	0A to 3A	
Ripple and Noise	25(Avr.) 60(Max.)mVp-p	$V_{in} = 24V, I_o = 3A$ (Note 2)
Variable Output Voltage Range	3.3V to 24V	Using recommended external parts (Note 3)
Remote On/Off Control Voltage		
Output Power On	Max. 0.9V	
Output Power Off	Min. 1.0V	
Protection		
Over Load Protection	More than 3A	Auto reset
Humidity		
Operating	20% to 90%	Non-condensing
Storage	10% to 95%	Non-condensing
Others		
Weight	25g	
Vibration	Amplitude 1.5mm, 10 to 55Hz/min. 2 hours each for X, Y, Z directions	
Shock	100G, 3 times each for X, Y, Z directions	
Soldering Conditions	260°C, 10 sec.	
Dimensions	Refer to the outline drawing	

Note 1: The value includes the deviation from output voltage setting point, line and load.

Note 2: Value at standard connection with recommended external parts (Refer to Fig.1)

Note 3: Refer to "Output voltage variation"

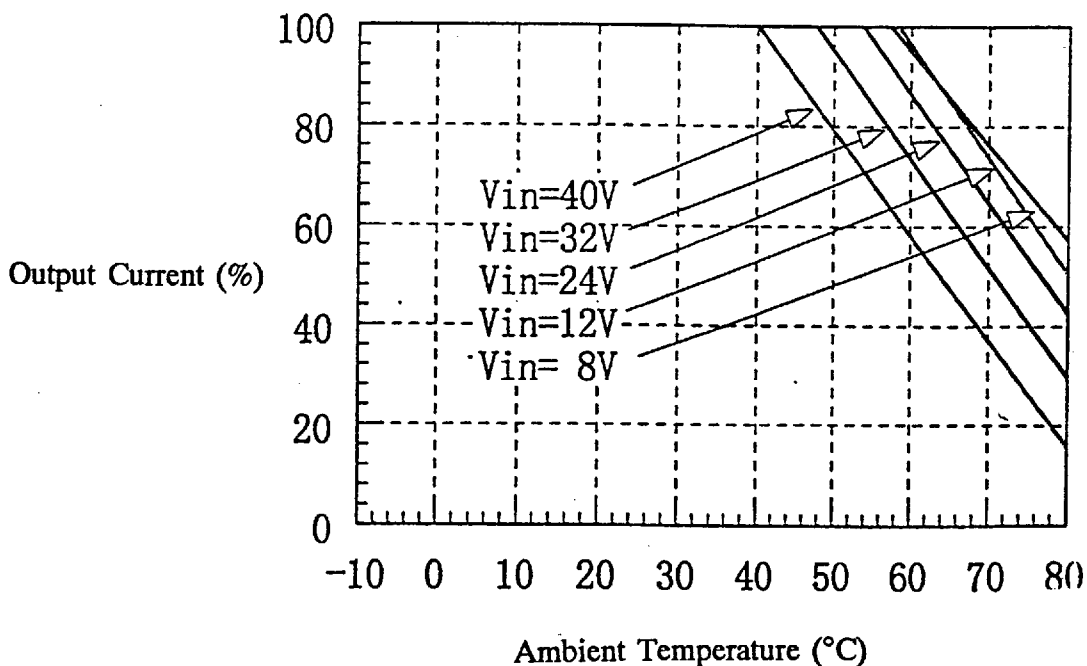
**Connection**



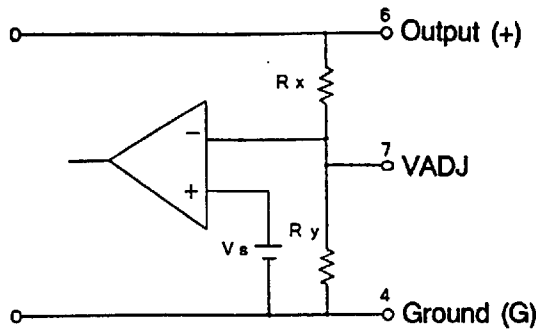
VR1: Vout Down    C1: 50V or more, 390  $\mu$ F or more, ESR 47m $\Omega$  or less at 100kHz  
 VR2: Vout Up    C2: 50V or more, 220  $\mu$ F $\times$ 2 or more, ESR 85m $\Omega$ /2 or less at 100kHz

- Note 1:    Connect the RC terminal to the ground line when not using remote on/off.
- Note 2:    The VADJ terminal should be open when not changing the output voltage.
- Note 3:    Connect a film or ceramic capacitor at the C3(50V 0.1 – 1 $\mu$ F) and C4(50V 0.01 – 0.1 $\mu$ F) when the noise is high.
- Note 4:    Connect the input and output capacitors as near the terminals as possible.

**Derating (Vo = 5V)**



**Output voltage variation**



Vs	2.5V
Rx	6.2kΩ
Ry	6.2kΩ
Vo	Required output voltage(V)

The value of the resistor is calculated by following formula.

- a. Vout down: Connect a resistor VR1 between the terminal 6 and the terminal 7. Do not connect VR2.

$$VR1 = \frac{Rx * Ry(Vo - Vs)}{Rx * Vs - Ry(Vo - Vs)}$$

- b. Vout up: Connect a resistor VR2 between the terminal 4 and the terminal 7. Do not connect VR1.

$$VR2 = \frac{Rx * Ry * Vs}{Ry(Vo - Vs) - Rx * Vs}$$

**Note 1: Output voltage deviation**

When the resistor's stability is +/- 1% : approximately +/- 4.5%  
When the resistor's stability is +/- 5% : approximately +/- 8%

- Note 2: The temperature at surface of the case should be less than 100°C when operating.

- Note 3: A certain voltage difference between input and output is required. The minimum required voltage difference can be calculated by following formula.

$$Vin = \frac{Vo + K}{D}$$

Vin	Minimum DC input voltage (V)
Vo	Required output voltage(V)
D	0.85(Max. duty)
K	0.8(factor)

**SHINDENGEN ELECTRIC MFG. CO., LTD.**

New-ohemachi Bldg. 2-2-1 Ohemachi  
Chiyoda-ku, Tokyo 100 Japan  
Phone: 3-3279-4435 Fax: 3-3279-4493

**Others**

Do not use a IC connector to the ground terminal No. 4. When the connector opens, the DC/DC converter will be broken.

This datasheet has been downloaded from:

[www.DatasheetCatalog.com](http://www.DatasheetCatalog.com)

Datasheets for electronic components.



LittleDiode supplies new, hard to find or obsolete electronic components and semiconductors all over the world.

With over two million different components listed you are sure to find the part you need.

Feel free to visit us today at our online store:

[LittleDiode.com](http://LittleDiode.com)

Looking forward to providing you with the best possible service.