

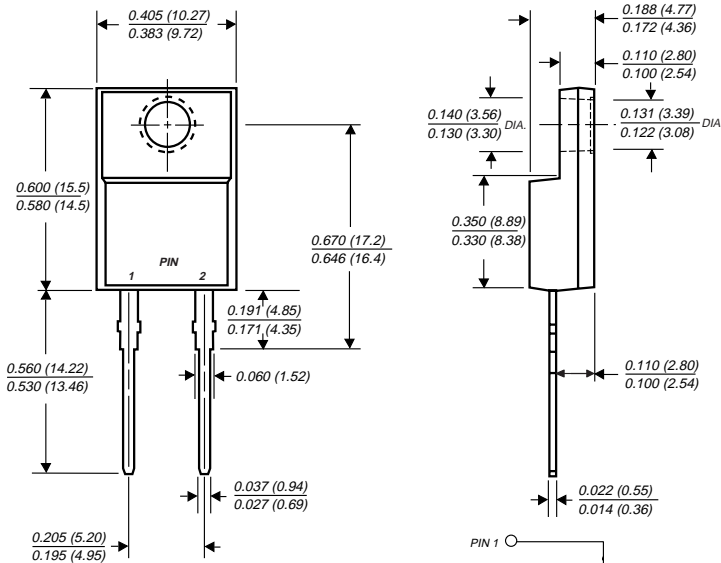
BYWF29-50 THRU BYWF29-200

FAST EFFICIENT PLASTIC RECTIFIER

Reverse Voltage - 50 to 200 Volts

Forward Current - 8.0 Amperes

ITO-220AC



Dimensions in inches and (millimeters)

FEATURES

- ◆ Plastic package has Underwriters Laboratory Flammability Classification 94V-0
- ◆ Glass passivated chip junction
- ◆ Low power loss
- ◆ Low leakage current
- ◆ High surge current capability
- ◆ Superfast recovery time for high efficiency
- ◆ High temperature soldering guaranteed: 250°C, 0.25" (6.35mm) from case for 10 seconds



MECHANICAL DATA

Case: JEDEC ITO-220AC molded plastic body over passivated chip

Terminals: Plated lead solderable per MIL-STD-750, Method 2026

Polarity: As marked

Mounting Position: Any

Weight: 0.064 ounce, 1.81 grams

Mounting Torque: 5 in. - lbs. max.

MAXIMUM RATINGS AND ELECTRICAL CHARACTERISTICS

Ratings at 25°C ambient temperature unless otherwise specified.

	SYMBOLS	BYWF29-50	BYWF29-100	BYWF29-150	BYWF29-200	UNITS
Maximum repetitive peak reverse voltage	V _{RRM}	50	100	150	200	Volts
Maximum RMS voltage	V _{RMS}	35	70	105	140	Volts
Maximum DC blocking voltage	V _{DC}	50	100	150	200	Volts
Maximum average forward rectified current at T _C =125°C	I _(AV)	8.0				Amps
Peak forward surge current 10ms single half sine-wave superimposed T _J =150°C	I _{FSM}	100.0				Amps
Maximum instantaneous forward voltage at: I _F =20A, T _J =25°C I _F =8A, T _J =150°C	V _F	1.3 0.8				Volts
Maximum DC reverse current at rated DC blocking voltage T _C =25°C T _C =100°C	I _R	10.0 500.0				μA
Maximum reverse recovery time (NOTE 1)	t _{rr}	25.0				ns
Typical junction capacitance (NOTE 2)	C _J	45.0				pF
Maximum thermal resistance (NOTE 3)	R _{θJC}	4.5				°C/W
Operating and storage temperature range	T _J , T _{STG}	-65 to +150				°C

NOTES:

- (1) Reverse recovery test conditions: I_F=1A, V_R=30V, di/dt=100A/μs, I_{rr}=10%, I_{RM} for measurement of t_{rr}
- (2) Measured at 1.0 MHz and applied reverse voltage of 4.0 Volts
- (3) Thermal resistance from junction to case mounted on heatsink

RATINGS AND CHARACTERISTIC CURVES BYWF29-50 THRU BYWF29-200

FIG. 1 - MAXIMUM FORWARD CURRENT DERATING CURVE

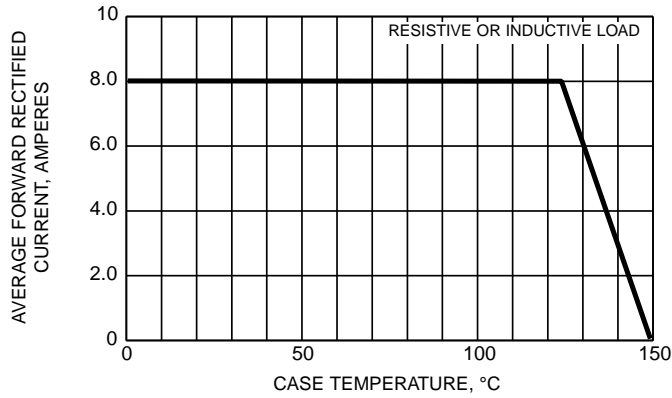


FIG. 2 - MAXIMUM NON-REPETITIVE PEAK FORWARD SURGE CURRENT

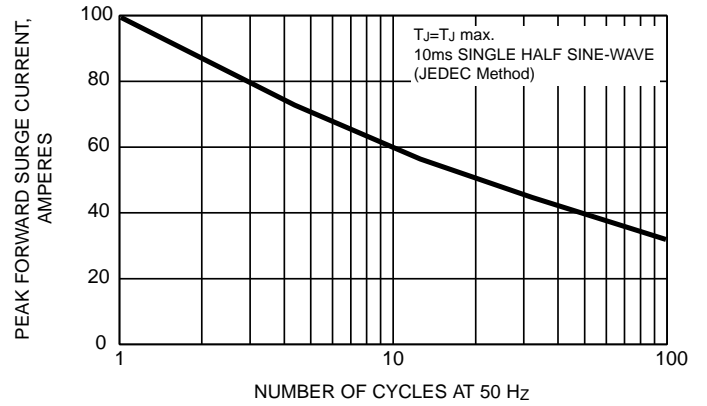


FIG. 3 - TYPICAL INSTANTANEOUS FORWARD CHARACTERISTICS

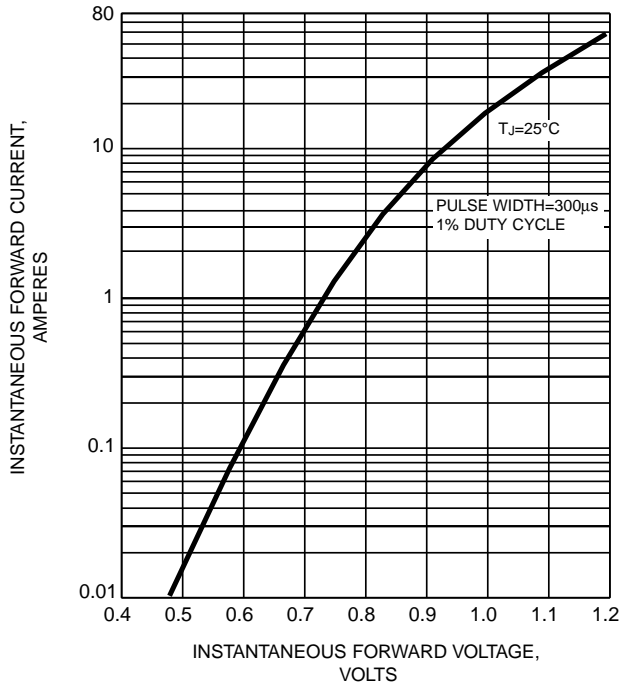


FIG. 4 - TYPICAL REVERSE LEAKAGE CHARACTERISTICS

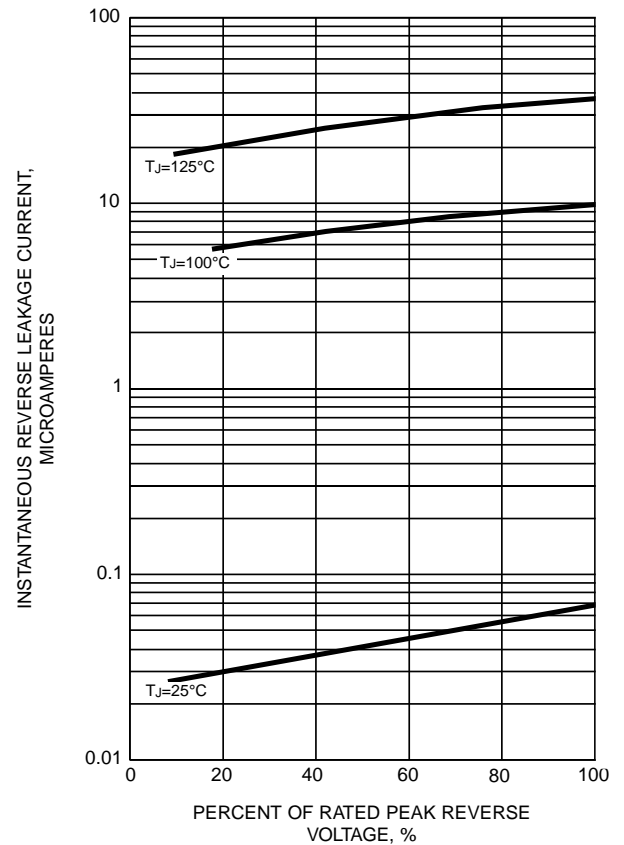
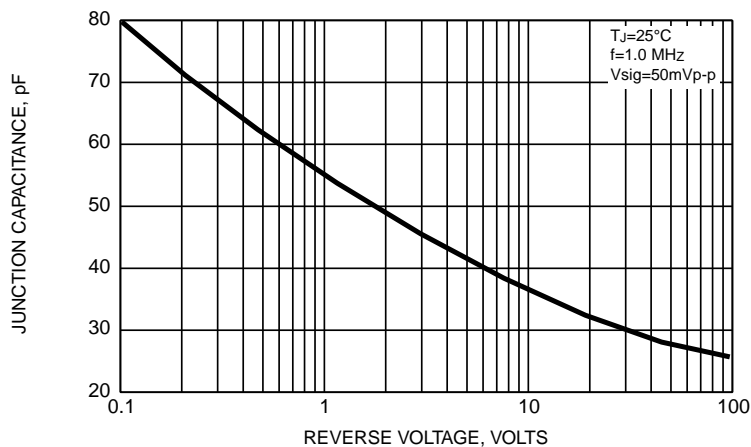


FIG. 5 - TYPICAL JUNCTION CAPACITANCE





LittleDiode supplies new, hard to find or obsolete electronic components and semiconductors all over the world.

With over two million different components listed you are sure to find the part you need.

Feel free to visit us today at our online store:

LittleDiode.com

Looking forward to providing you with the best possible service.