

Hi-Rel NPN dual matched bipolar transistor 60 V, 0.03 A

Datasheet - production data

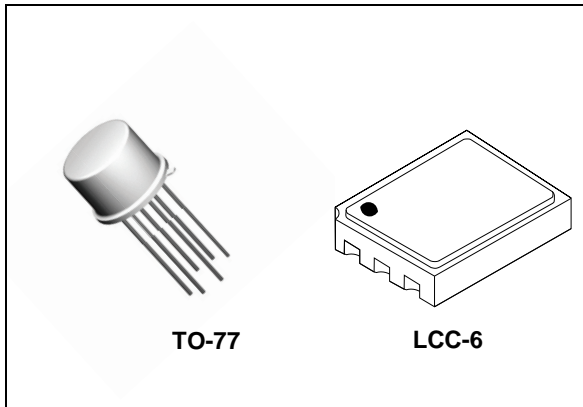
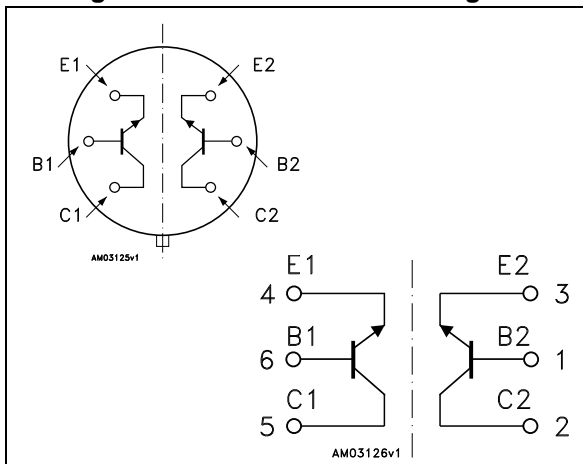


Figure 1. Internal schematic diagram



Features

BV_{CEO}	60 V
I_C (max)	0.03 A
H_{FE} at 10 V - 150 mA	> 300
Operating temperature range	-65°C to +200°C

- Hi-Rel NPN dual matched bipolar transistor
- Linear gain characteristics
- ESCC qualified
- European preferred part list - EPPL
- Radiation level: lot specific total dose contact marketing for specified level

Description

The 2N2920AHR is a silicon planar epitaxial NPN transistor in TO-77 and LCC-6 packages. It is specifically designed for aerospace Hi-Rel applications and ESCC qualified according to the 5207-002 specification. In case of conflict between this datasheet and ESCC detailed specification, the latter prevails.

Table 1. Device summary

Device	Qualification system	Agency specification	Package	Radiation level	EPPL
SOC2920AHRx	ESCC Flight	5207/002	LCC-6	-	Yes
2N2920AHRx	ESCC Flight	5207/002	TO-77	-	-

1 Electrical ratings

Table 2. Absolute maximum ratings

Symbol	Parameter	Value	Unit
V_{CBO}	Collector-base voltage ($I_E = 0$)	60	V
V_{CEO}	Collector-emitter voltage ($I_B = 0$)	60	V
V_{EBO}	Emitter-base voltage ($I_C = 0$)	6	V
I_C	Collector current	30	mA
P_{TOT}	Total dissipation at $T_{amb} \leq 25\text{ °C}$ for LCC-6 ⁽¹⁾	0.3	W
	for LCC-6 ⁽²⁾	0.5	W
	for TO-77 ⁽¹⁾ (3)	0.6	W
	for TO-77 ⁽²⁾ (3)	1	W
	Total dissipation at $T_c \leq 25\text{ °C}$ for LCC-6 ⁽¹⁾	0.75	W
	for LCC-6 ⁽²⁾	1.25	W
T_{STG}	Storage temperature	-65 to 200	°C
T_J	Max. operating junction temperature	200	°C

1. One section.
2. Both sections.
3. When mounted on a 15 x 15 x 0.6 mm ceramic substrate.

Table 3. Thermal data for through-hole package

Symbol	Parameter	Value	Unit
R_{thJC}	Thermal resistance junction-case ⁽¹⁾	max	233 °C/W
	Thermal resistance junction-case ⁽²⁾	max	140 °C/W
R_{thJA}	Thermal resistance junction-ambient ⁽¹⁾	max	583 °C/W
	Thermal resistance junction-ambient ⁽²⁾	max	350 °C/W

1. One section.
2. Both sections.

Table 4. Thermal data for SMD package

Symbol	Parameter	Value	Unit
R_{thJA}	Thermal resistance junction-ambient ⁽¹⁾⁽³⁾	max	291 °C/W
	Thermal resistance junction-ambient ⁽²⁾⁽³⁾	max	175 °C/W

1. One section.
2. Both sections.
3. When mounted on a 15 x 15 x 0.6 mm ceramic substrate.

2 Electrical characteristics

$T_{\text{case}} = 25\text{ °C}$ unless otherwise specified

Table 5. Electrical characteristics

Symbol	Parameter	Test conditions	Min.	Typ.	Max.	Unit
I_{CBO}	Collector-base cut-off current ($I_{\text{E}} = 0$)	$V_{\text{CB}} = 45\text{ V}$ $V_{\text{CB}} = 45\text{ V}$ $T_{\text{C}} = 150\text{ °C}$			2 10	nA μA
I_{CEO}	Collector cut-off current ($I_{\text{B}} = 0$)	$V_{\text{CE}} = 5\text{ V}$			2	nA
I_{EBO}	Emitter-base cut-off current ($I_{\text{C}} = 0$)	$V_{\text{EB}} = 5\text{ V}$			2	nA
$V_{(\text{BR})\text{CBO}}$	Collector-base breakdown voltage ($I_{\text{E}} = 0$)	$I_{\text{C}} = 10\text{ }\mu\text{A}$	60			V
$V_{(\text{BR})\text{CEO}}^{(1)}$	Collector-emitter breakdown voltage ($I_{\text{B}} = 0$)	$I_{\text{C}} = 10\text{ mA}$	60			V
$V_{(\text{BR})\text{EBO}}$	Emitter-base breakdown voltage ($I_{\text{C}} = 0$)	$I_{\text{E}} = 10\text{ }\mu\text{A}$	6			V
$V_{\text{CE}(\text{sat})}^{(1)}$	Collector-emitter saturation voltage	$I_{\text{C}} = 1\text{ mA}$ $I_{\text{B}} = 0.1\text{ mA}$			0.35	V
$V_{\text{BE}(\text{sat})}^{(1)}$	Base-emitter saturation voltage	$I_{\text{C}} = 1\text{ mA}$ $I_{\text{B}} = 0.1\text{ mA}$	0.5		1	V
$h_{\text{FE}}^{(1)}$	DC current gain	$I_{\text{C}} = 10\text{ }\mu\text{A}$ $V_{\text{CE}} = 5\text{ V}$ $I_{\text{C}} = 100\text{ }\mu\text{A}$ $V_{\text{CE}} = 5\text{ V}$ $I_{\text{C}} = 1\text{ mA}$ $V_{\text{CE}} = 5\text{ V}$ $I_{\text{C}} = 10\text{ }\mu\text{A}$ $V_{\text{CE}} = 5\text{ V}$ $T_{\text{amb}} = -55\text{ °C}$	150 225 300 50		600	
$h_{\text{FE}2-1} / h_{\text{FE}2-2}$	DC current transfer ratio comparison	$I_{\text{C}} = 100\text{ }\mu\text{A}$ $V_{\text{CE}} = 5\text{ V}$ $T_{\text{amb}} = -55\text{ °C to }+25\text{ °C}$	0.91		1.1	
$h_{\text{FE}2-1} / h_{\text{FE}2-2}$	DC current transfer ratio comparison	$I_{\text{C}} = 100\text{ }\mu\text{A}$ $V_{\text{CE}} = 5\text{ V}$ $T_{\text{amb}} = -55\text{ °C to }+125\text{ °C}$	0.85		1.18	
$\Delta V_{\text{BE}1} - V_{\text{BE}2} $	Base-emitter voltage differential	$V_{\text{CE}} = 5\text{ V}$ $I_{\text{C}} = 10\text{ }\mu\text{A}$ $V_{\text{CE}} = 5\text{ V}$ $I_{\text{C}} = 100\text{ }\mu\text{A}$ $V_{\text{CE}} = 5\text{ V}$ $I_{\text{C}} = 1\text{ mA}$			2 1.5 2	mV mV mV
$\Delta V_{\text{BE}1} - V_{\text{BE}2} $	Base-emitter voltage differential	$V_{\text{CE}} = 5\text{ V}$ $I_{\text{C}} = 100\text{ }\mu\text{A}$ $T_{\text{amb}} = -55\text{ °C to }+25\text{ °C}$ $T_{\text{amb}} = +25\text{ °C to }+125\text{ °C}$			0.4 0.5	mV mV
I_{Lk}	Leakage current between active devices	$V = 50\text{ V to }E_2, B_2, C_2$ $V = 0\text{ V to }E_1, B_1, C_1$			5	μA

Table 5. Electrical characteristics (continued)

Symbol	Parameter	Test conditions	Min.	Typ.	Max.	Unit
f_T	Transition frequency	$I_C = 0.5 \text{ mA}$ $V_{CE} = 5 \text{ V}$	60			MHz
h_{ob}	Output admittance	$V_{CE} = 5 \text{ V}$ $I_C = 1 \text{ mA}$ $f = 1 \text{ kHz}$			1	μmho
h_{ib}	Input impedance	$V_{CB} = 5 \text{ V}$ $I_C = 1 \text{ mA}$ $f = 1 \text{ kHz}$	25		32	Ω
C_{obo}	Output capacitance ($I_E = 0$)	$V_{CB} = 5 \text{ V}$ $100 \text{ kHz} > f > 1 \text{ MHz}$			6	pF
NF	Noise figure	$V_{CE} = 5 \text{ V}$ $I_C = 10 \mu\text{A}$ $R_S = 10 \text{ kW}$ $f = 1 \text{ kHz}$ Bandwidth = 200 Hz			3	dB
NF	Noise figure	$V_{CE} = 5 \text{ V}$ $I_C = 10 \mu\text{A}$ $R_S = 10 \text{ kW}$ $10 \text{ Hz} \leq f \leq 15.7 \text{ kHz}$ Bandwidth = 200 Hz			3	dB

1. Pulsed duration = 300 μs , duty cycle > 1.5%

2.1 Electrical characteristics (curves)

Figure 2. h_{FE} @ $V_{CE} = 5\text{ V}$

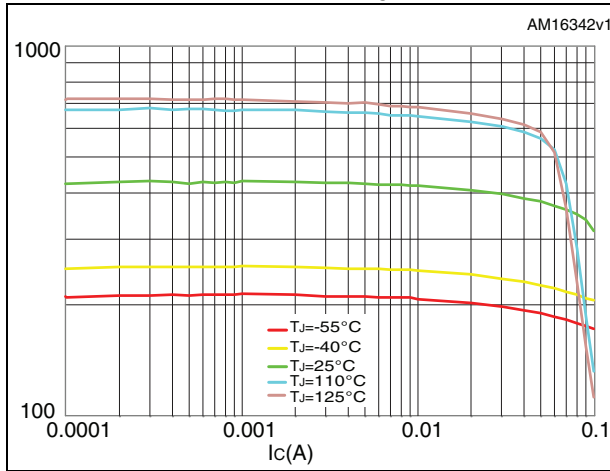


Figure 3. $V_{CE(sat)}$ @ $h_{FE} = 10$

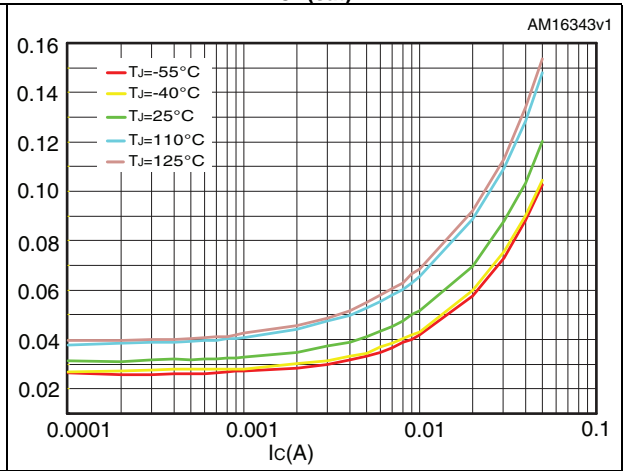
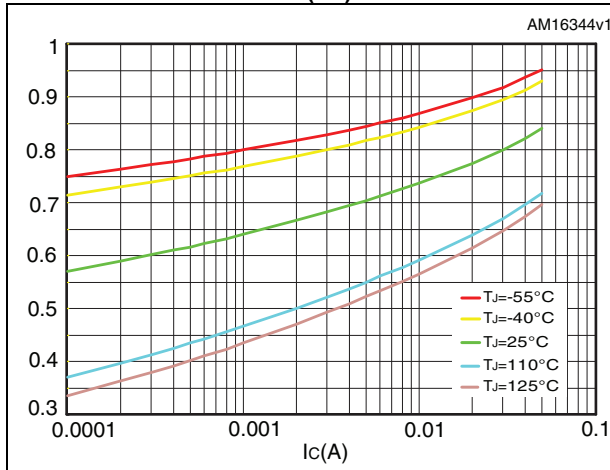


Figure 4. $V_{BE(sat)}$ @ $h_{FE} = 10$



3 Package mechanical data

In order to meet environmental requirements, ST offers these devices in different grades of ECOPACK[®] packages, depending on their level of environmental compliance. ECOPACK[®] specifications, grade definitions and product status are available at: www.st.com. ECOPACK[®] is an ST trademark.

3.1 TO-77

Figure 5. TO-77 drawing

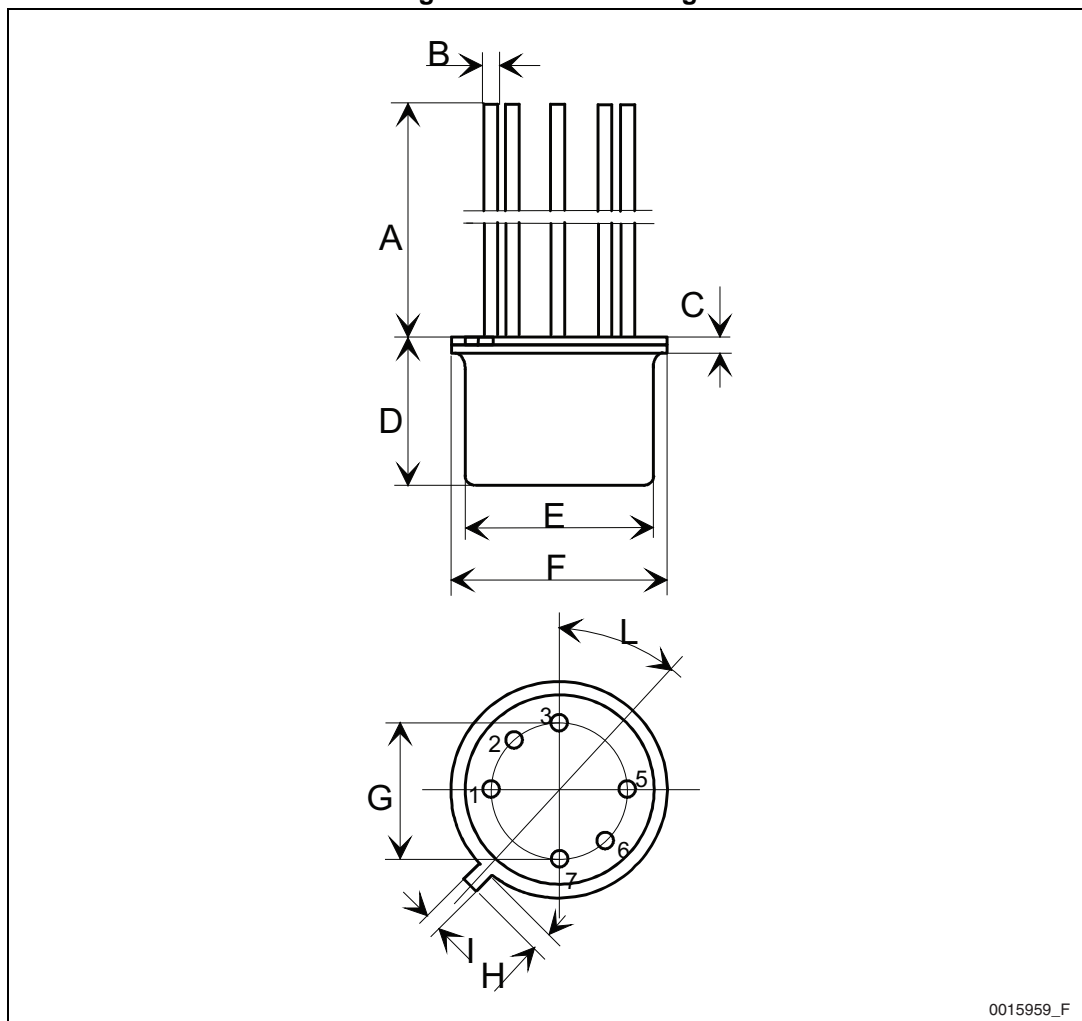
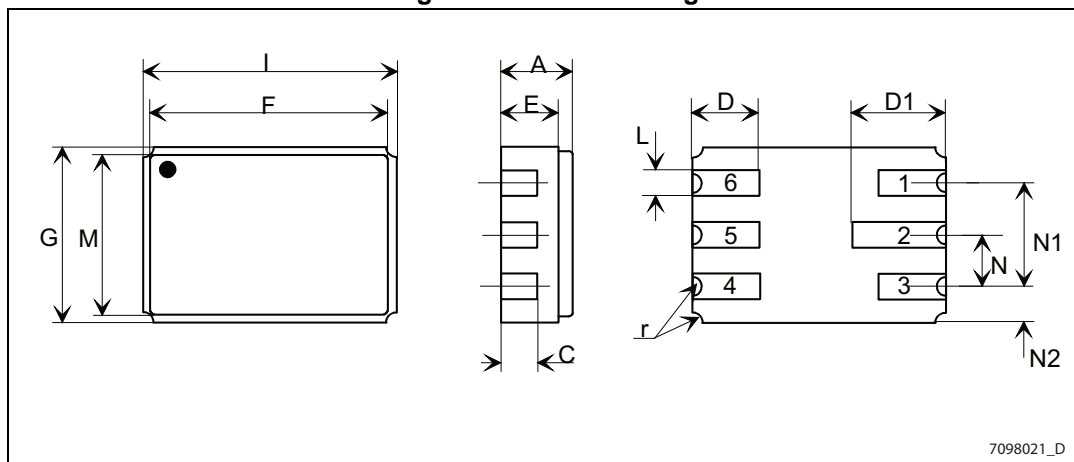


Table 6. TO-77 mechanical data

Dim.	mm		
	Min	Typ	Max
A	12.70		
B	0.40		
C	0.55		0.76
D	6.11		6.47
E	8.15		8.25
F	9.05		9.25
G	4.85		5.31
H	0.71	5.08	0.85
I	0.90		1.00
L	42°		48°

3.2 LCC-6

Figure 6. LCC-6 drawing



7098021_D

Table 7. LCC-6 mechanical data

Dim.	mm		
	Min.	Typ.	Max.
A	1.53		1.96
C	0.78	0.89	0.99
D	1.52	1.65	1.78
E	12.4	1.40	1.55
F	5.77	5.84	5.92
G	4.19	4.31	4.45
I	6.10	6.22	6.35
L	0.56	0.63	0.71
M	3.86	3.94	4.01
N	1.14	1.27	1.40
N1	2.41	2.54	2.67
N2	0.64	0.89	1.14
r		0.23	
D1	2.08	2.28	2.49

4 Ordering information

Table 8. Ordering information

CPN	Agency specification	EPPL	Quality level	Radiation level	Package	Lead finish	Marking ⁽¹⁾	Packing
SOC2920A1	-	-	Engineering model ESCC	-	LCC-6	Gold	SOC2920A1	Waffle pack
SOC2920AHRG	5207/002/12	Yes	ESCC flight	-	LCC-6	Gold	520700212	Waffle pack
SOC2920AHRT	5207/002/15	Yes	ESCC flight	-	LCC-6	Solder dip	520700215	Waffle pack
2N2920AHRG	5207/002/03	-	ESCC flight	-	TO-77	Gold	520700203	Strip pack
2N2920AHRT	5207/002/06	-	ESCC Flight	-	TO-77	Solder dip	520700206	Strip pack

1. Specific marking only. The full marking includes in addition:
 For the Engineering Models: ST logo, date code; country of origin (FR).
 For ESCC flight parts: ST logo, date code, country of origin (FR), ESA logo, serial number of the part within the assembly lot.

Contact ST sales office for information about the specific conditions for:

- Product in die form
- Tape and reel packaging

5 Revision history

Table 9. Document revision history

Date	Revision	Changes
10-Dec-2008	1	Initial release
05-Jan-2010	2	Modified Table 1 on page 1
15-Nov-2012	3	Added: Section 2.1: Electrical characteristics (curves) Updated: Section 3: Package mechanical data
04-Apr-2014	4	Updated: Table 1: Device summary and Table 2: Absolute maximum ratings . Minor text changes.
14-May-2014	5	Updated Section 3.2: LCC-6 .

Please Read Carefully:

Information in this document is provided solely in connection with ST products. STMicroelectronics NV and its subsidiaries ("ST") reserve the right to make changes, corrections, modifications or improvements, to this document, and the products and services described herein at any time, without notice.

All ST products are sold pursuant to ST's terms and conditions of sale.

Purchasers are solely responsible for the choice, selection and use of the ST products and services described herein, and ST assumes no liability whatsoever relating to the choice, selection or use of the ST products and services described herein.

No license, express or implied, by estoppel or otherwise, to any intellectual property rights is granted under this document. If any part of this document refers to any third party products or services it shall not be deemed a license grant by ST for the use of such third party products or services, or any intellectual property contained therein or considered as a warranty covering the use in any manner whatsoever of such third party products or services or any intellectual property contained therein.

UNLESS OTHERWISE SET FORTH IN ST'S TERMS AND CONDITIONS OF SALE ST DISCLAIMS ANY EXPRESS OR IMPLIED WARRANTY WITH RESPECT TO THE USE AND/OR SALE OF ST PRODUCTS INCLUDING WITHOUT LIMITATION IMPLIED WARRANTIES OF MERCHANTABILITY, FITNESS FOR A PARTICULAR PURPOSE (AND THEIR EQUIVALENTS UNDER THE LAWS OF ANY JURISDICTION), OR INFRINGEMENT OF ANY PATENT, COPYRIGHT OR OTHER INTELLECTUAL PROPERTY RIGHT.

ST PRODUCTS ARE NOT DESIGNED OR AUTHORIZED FOR USE IN: (A) SAFETY CRITICAL APPLICATIONS SUCH AS LIFE SUPPORTING, ACTIVE IMPLANTED DEVICES OR SYSTEMS WITH PRODUCT FUNCTIONAL SAFETY REQUIREMENTS; (B) AERONAUTIC APPLICATIONS; (C) AUTOMOTIVE APPLICATIONS OR ENVIRONMENTS, AND/OR (D) AEROSPACE APPLICATIONS OR ENVIRONMENTS. WHERE ST PRODUCTS ARE NOT DESIGNED FOR SUCH USE, THE PURCHASER SHALL USE PRODUCTS AT PURCHASER'S SOLE RISK, EVEN IF ST HAS BEEN INFORMED IN WRITING OF SUCH USAGE, UNLESS A PRODUCT IS EXPRESSLY DESIGNATED BY ST AS BEING INTENDED FOR "AUTOMOTIVE, AUTOMOTIVE SAFETY OR MEDICAL" INDUSTRY DOMAINS ACCORDING TO ST PRODUCT DESIGN SPECIFICATIONS. PRODUCTS FORMALLY ESCC, QML OR JAN QUALIFIED ARE DEEMED SUITABLE FOR USE IN AEROSPACE BY THE CORRESPONDING GOVERNMENTAL AGENCY.

Resale of ST products with provisions different from the statements and/or technical features set forth in this document shall immediately void any warranty granted by ST for the ST product or service described herein and shall not create or extend in any manner whatsoever, any liability of ST.

ST and the ST logo are trademarks or registered trademarks of ST in various countries.

Information in this document supersedes and replaces all information previously supplied.

The ST logo is a registered trademark of STMicroelectronics. All other names are the property of their respective owners.

© 2014 STMicroelectronics - All rights reserved

STMicroelectronics group of companies

Australia - Belgium - Brazil - Canada - China - Czech Republic - Finland - France - Germany - Hong Kong - India - Israel - Italy - Japan - Malaysia - Malta - Morocco - Philippines - Singapore - Spain - Sweden - Switzerland - United Kingdom - United States of America

www.st.com





LittleDiode supplies new, hard to find or obsolete electronic components and semiconductors all over the world.

With over two million different components listed you are sure to find the part you need.

Feel free to visit us today at our online store:

LittleDiode.com

Looking forward to providing you with the best possible service.