

Typical Applications

PCS Base Stations
 Land Mobile Radio
 Cellular Telephony
 Radio in the Local Loop

Features

EFC Standard
 Standard Surface Mount Package
 Small Size
 Low Profile



Frequency range

6.4 MHz – 52 MHz

Standard frequencies

12.8; 19.44; 20MHz, 20.48MHz

Frequency stabilities¹

Parameter	Min	Typ	Max.	Units	Operating temp range	Ordering Code ⁵
vs. operating temperature range (Referenced to +25°C)	-2.5		+2.5	ppm	-20 ... +70°C	D256
	-1.0		+1.0	ppm	-20 ... +70°C	D106
	-1.0		+1.0	ppm	0 ... +50°C	B106
	-0.5		+0.5	ppm	0 ... +50°C	B507
Parameter	Min	Typ	Max.	Units	Condition	
Initial tolerance	- 2.5		+2.5	ppm	at time of shipment, nominal EFC	
vs. supply voltage change	- 0.5		+0.5	ppm	V _s ± 5%	
vs. load change	- 0.2		+0.2	ppm	Load ± 10%	
vs aging /1. Year	- 1.0		+1.0	ppm		

Frequency stabilities¹ [Stratum 3 TCXO]

Parameter	Min	Typ	Max.	Units	Operating temp range	Ordering Code ⁵
vs. operating temperature range (Referenced to +25°C)	-0.8		+0.8	ppm	-20 ... +70°C	D807
	-0.28		+0.28	ppm	0 ... +50°C	B287
	-0.28		+0.28	ppm	-20 ... +70°C	D287
	-0.80		+0.80	ppm	-40 ... +85°C	F807
	-0.28		+0.28	ppm	-30 ... +85°C	G287
Parameter	Min	Typ	Max.	Units	Condition	
Initial tolerance	- 1.0		+1.0	ppm	at time of shipment, nominal EFC	
vs. supply voltage change	- 0.2		+0.2	ppm	V _s ± 5%	
vs. load change	- 0.1		+0.1	ppm	Load ± 10%	
vs aging /15 Years	- 2.5		+2.5	ppm		
overall tolerance	-4.6		-4.6	ppm		
*Stratum 3 per GR-1244-CORE: <±4.6 ppm for all causes and 20 years aging, Holdover: <±0.37 ppm over 24 hours (Code: D287 & B287)						

Supply voltage (Vs)

Parameter	Min	Typ	Max.	Units	Condition	Ordering Code ⁵
Supply voltage [Standard]	3.135	3.3	3.465	VDC		SV033
Current consumption			6	mA	steady state @ +25°C	

RF output

Parameter	Min	Typ	Max.	Units	Condition	Ordering Code ⁵
Signal [Standard]		clipped Sinewave			> 12.288MHz	RFC
Load R	9	10	11	kΩ	@ 10kΩ 10pF	
C	9	10	11	pF		
Output power	0.7			V _{pp}		

Parameter	Min	Typ	Max.	Units	Condition	Ordering Code ⁵
Signal [Standard]	HCMOS					RFH
Load	13.5	15	16.5	pF	with Vs=3.3V and 15pF load with Vs=3.3V and 15pF load @ (Voh-Vol)/2	
Signal Level (Vol)			0.3	VDC		
Signal Level (Voh)	3.0			VDC		
Rise and Fall time			5	ns		
Duty cycle	40	50	60	%		

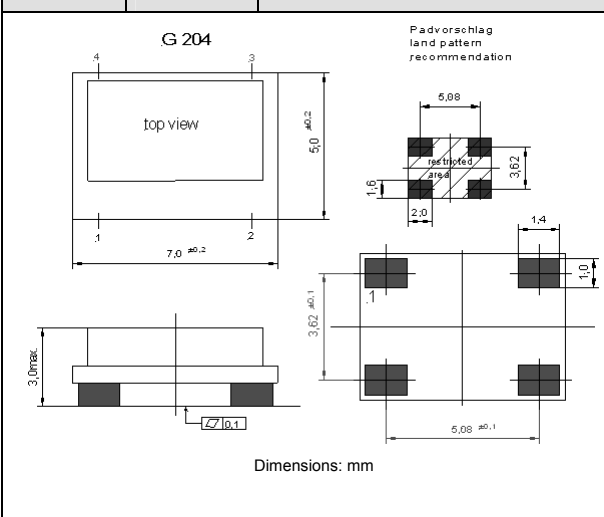
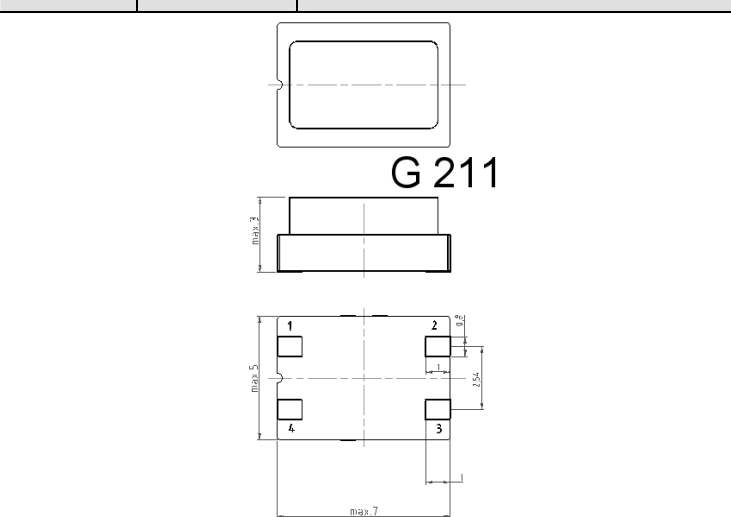
Frequency Tuning (EFC)

Parameter	Min	Typ	Max.	Units	Condition
Tuning Range	± 8.0	±14.0	± 20.0	ppm	
Linearity			10	%	
Tuning Slope	Positive				
Control Voltage Range	0.3	1.65	3.0	VDC	with Vs=3.3VDC
Freq. control input impedance	10			kΩ	

Additional parameters

Parameter	Min	Typ	Max.	Units	Condition
Phase Noise ³		-90		dBc/Hz	10 Hz @19.44MHz
		-120		dBc/Hz	100 Hz
		-135		dBc/Hz	1 kHz
		-140		dBc/Hz	10 kHz
		-145		dBc/Hz	100 kHz
Weight			2	g	
Processing & Packing	Handling & processing note				

Enclosures

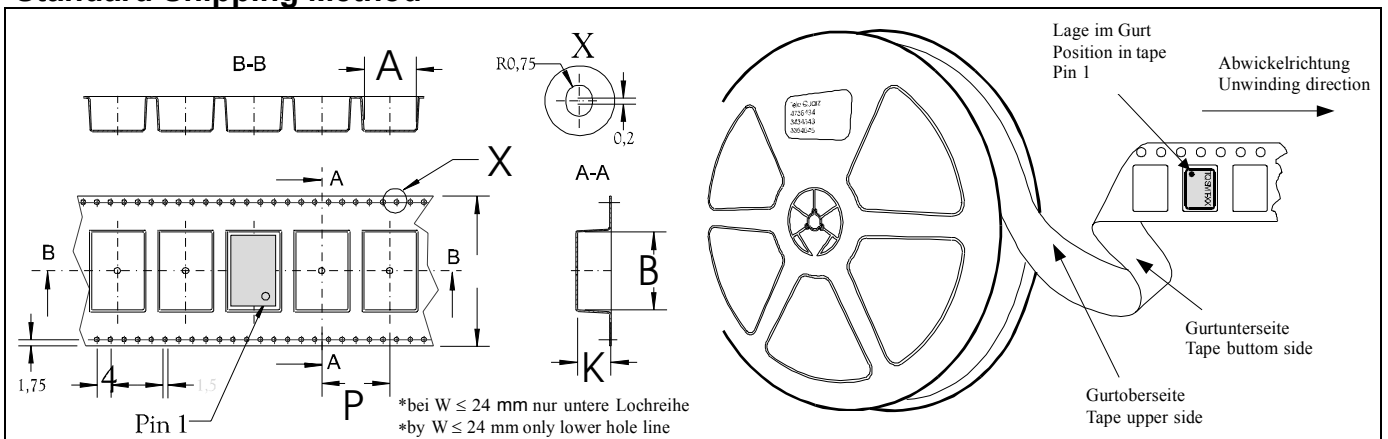
Type G204			Type G211		
Package Codes:			Package Codes:		
Code A1	Height "H" 3.0	Pin Length "L" NA	Code B1	Height "H"	
 <p>Dimensions: mm</p>			 <p>Dimensions: mm</p>		

Pin Connections	
1	Voltage Control (Vc)
2	Ground (Case)
3	RF output
4	Supply Voltage Input (Vs)
Outline Drawing: G204	
Marking	
C2260-xxxx frequency * C AYYWW	

Absolute Maximum Ratings

Parameter	Min	Typ	Max.	Units	Condition
Supply voltage (Vs)			6.0	V	
Control Voltage	0		Vs	V	
Operable temperature range	-40		+85	°C	
Storage temperature range	-55		+125	°C	

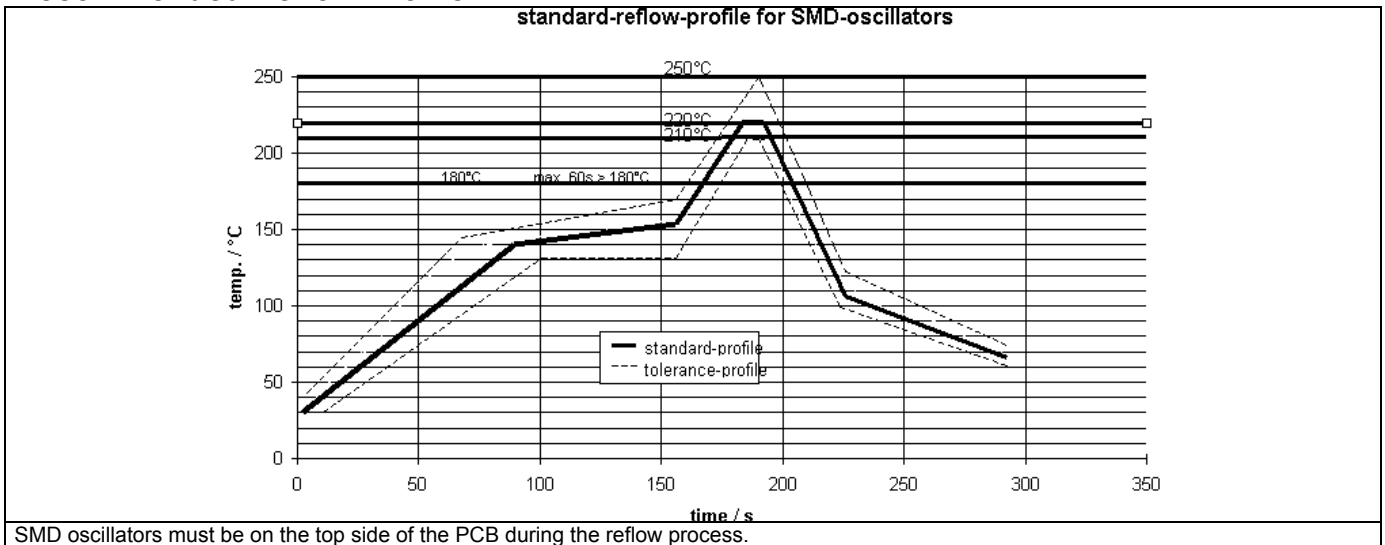
Standard Shipping Method



Production tolerance complying DIN IEC 286-3

Enclosure Type	Tape width W [mm]	Quantity per meter	Quantity per reel	Dimension P
G204 /G211	Tbd.	Tbd.	Tbd.	Tbd.

Recommended Reflow Profile



How to Order this Product:

Step 1 Use this worksheet to forward the following information to your factory representative:					
Model	Stability Code	Supply Voltage Code	RF Output Code	Package Code	Frequency
C2260					
<i>Example: C2260</i>	<i>D106</i>	<i>SV033</i>	<i>RFC</i>	<i>A1</i>	<i>12.8MHz</i>

Step 2 The factory representative will then respond with a Vectron Model Number in the following Configuration:			
Model	Package Code	Dash	Dash Number
C2260	[Customer Specified Package Code]	-	[Factory Generated 4 digit number]

Typical P/N = C2260A1-0001

Notes:

- 1 Contact factory for improved stabilities or additional product options. Not all options and codes are available at all frequencies.
- 2 Unless otherwise stated all values are valid after warm-up time and refer to typical conditions for supply voltage, frequency control voltage, load, temperature (25°C)
- 3 Phase noise degrades with increasing output frequency.
- 4 Subject to technical modification.
- 5 Contact factory for availability.



LittleDiode supplies new, hard to find or obsolete electronic components and semiconductors all over the world.

With over two million different components listed you are sure to find the part you need.

Feel free to visit us today at our online store:

LittleDiode.com

Looking forward to providing you with the best possible service.