

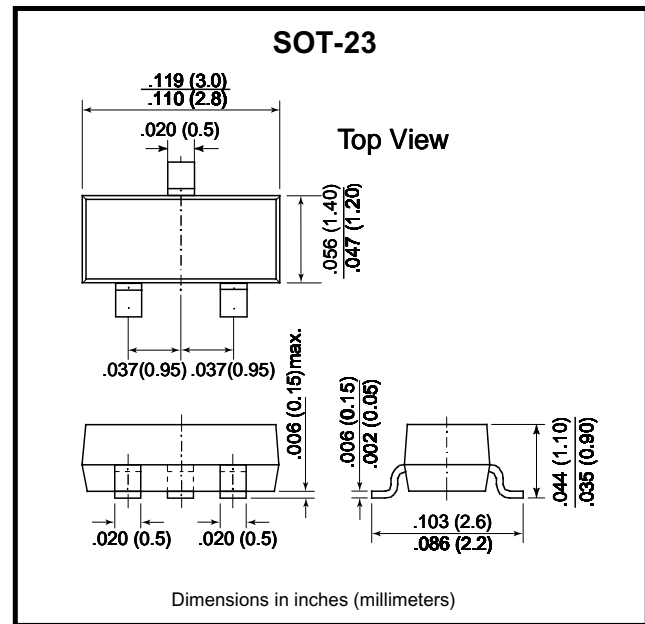
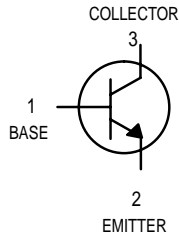
High Voltage Transistor (NPN)

BTC4505N3

Features

High breakdown voltage. ($V_{CE0} = 400V$)

Low saturation voltage, typically $V_{CE(sat)} = 0.1V$ at $I_C/I_B = 10mA/1mA$



Parameter	Symbol	Limit	Unit
Collector-Base Voltage	V_{CBO}	400	V
Collector-Emitter Voltage	V_{CEO}	400	V
Emitter-Base Voltage	V_{EBO}	6	V
Collector Current	I_C	300	mA
Power Dissipation	P_d	0.225	W
Junction Temperature	T_j	150	$^{\circ}C$
Storage Temperature	T_{stg}	-55~+150	$^{\circ}C$

Characteristics (Ta=25°C)

Symbol	Min.	Typ.	Max.	Unit	Test Conditions
BV_{CBO}	400	-	-	V	$I_C=50\mu A, I_E=0$
BV_{CEO}	400	-	-	V	$I_C=1mA, I_B=0$
BV_{EBO}	6	-	-	V	$I_E=50\mu A, I_C=0$
I_{CBO}	-	-	10	μA	$V_{CB}=400V, I_E=0$
I_{CER}	-	-	20	nA	$V_{CE}=300V, R_{EB}=4k\Omega$
I_{EBO}	-	-	10	μA	$V_{EB}=6V, I_C=0$
$*V_{CE(sat)}$	-	0.1	0.5	V	$I_C=10mA, I_B=1mA$
$*V_{BE(sat)}$	-	-	1.5	V	$I_C=10mA, I_B=1mA$
h_{FE}	52	-	270	-	$V_{CE}=10V, I_C=10mA$
f_T	-	20	-	MHz	$V_{CE}=10V, I_C=10mA, f=10MHz$
C_{ob}	-	7	-	pF	$V_{CB}=10V, f=1MHz$

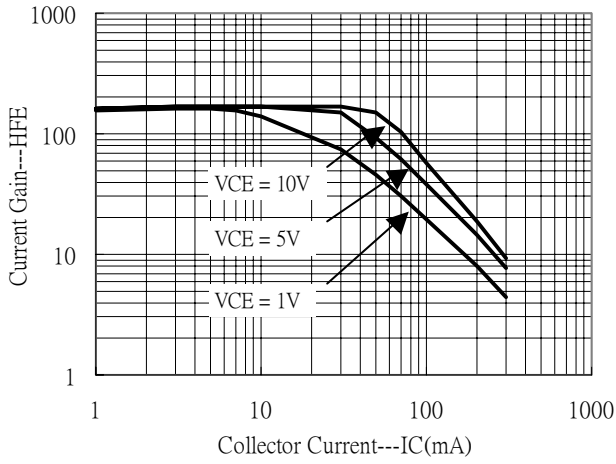
*Pulse Test : Pulse Width $\leq 380\mu s$, Duty Cycle $\leq 2\%$

Classification Of h_{FE}

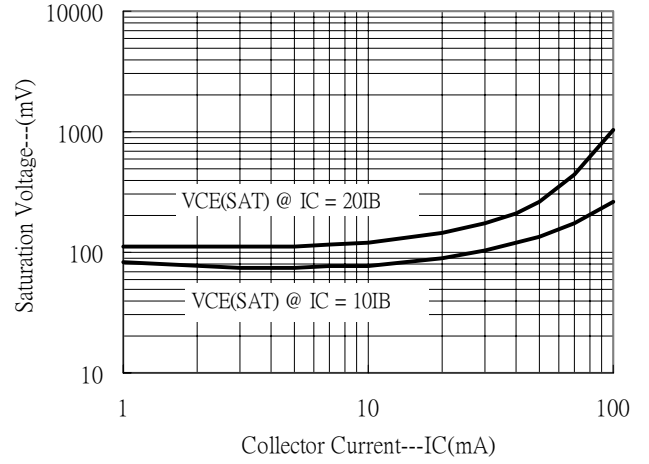
Rank	K	P	Q
Range	52~120	82~180	120~270

Characteristic Curves

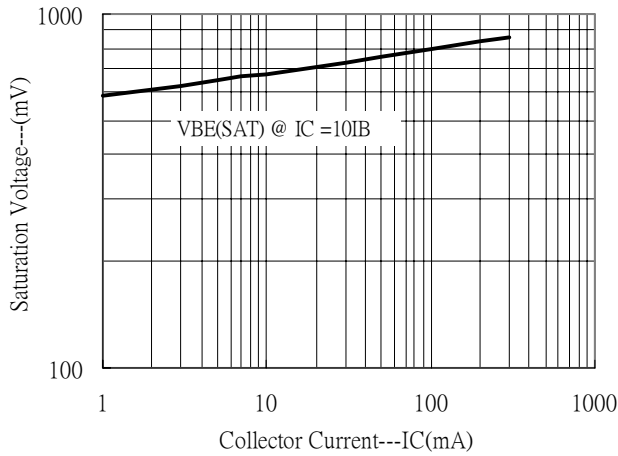
Current Gain vs Collector Current



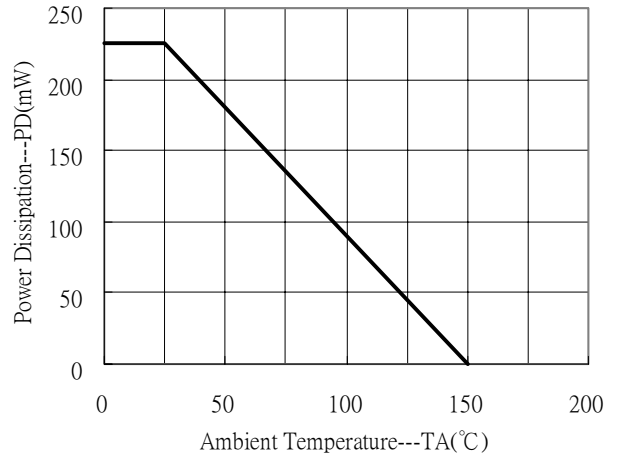
Saturation Voltage vs Collector Current



Saturation Voltage vs Collector Current



Power Derating Curve





LittleDiode supplies new, hard to find or obsolete electronic components and semiconductors all over the world.

With over two million different components listed you are sure to find the part you need.

Feel free to visit us today at our online store:

LittleDiode.com

Looking forward to providing you with the best possible service.