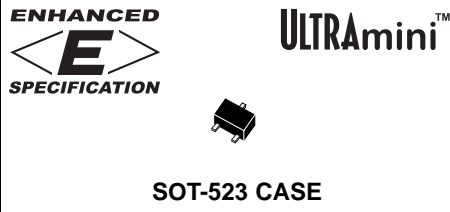


CMUT5087E PNP
CMUT5088E NPN

ENHANCED SPECIFICATION
SURFACE MOUNT ULTRAmi™
COMPLEMENTARY
SILICON TRANSISTORS



Central™
Semiconductor Corp.

DESCRIPTION:

The CENTRAL SEMICONDUCTOR CMUT5087E, and CMUT5088E, are Silicon transistors in an ULTRAmi™ surface mount package with enhanced specifications designed for applications requiring high gain and low noise.

MARKING CODES:

CMUT5087E PNP MARKING CODE: U87

CMUT5088E NPN MARKING CODE: U88

MAXIMUM RATINGS: (T_A=25°C)

	SYMBOL		UNITS
◆ Collector-Base Voltage	V _{CBO}	50	V
◆ Collector-Emitter Voltage	V _{CEO}	50	V
◆ Emitter-Base Voltage	V _{EBO}	5.0	V
Collector Current	I _C	100	mA
Power Dissipation	P _D	350	mW
Operating and Storage			
Junction Temperature	T _J , T _{stg}	-65 to +150	°C
Thermal Resistance	θ _{JA}	357	°C/W

ELECTRICAL CHARACTERISTICS: (T_A=25°C unless otherwise noted)

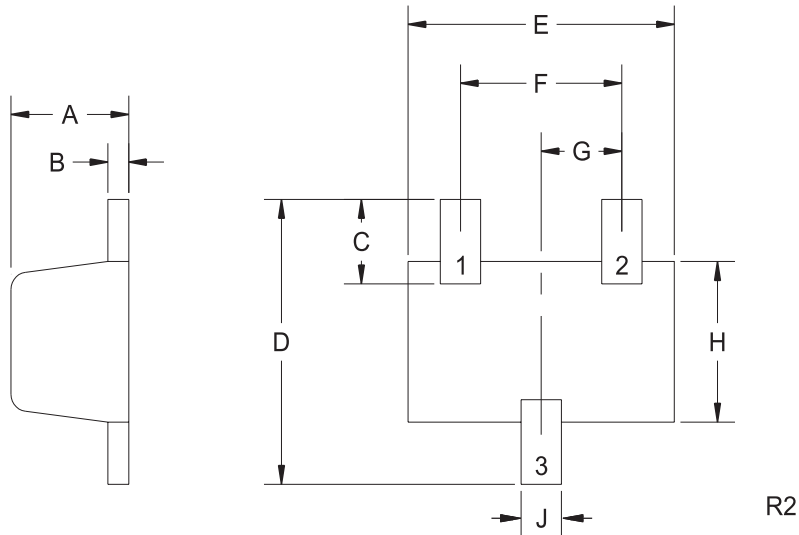
SYMBOL	TEST CONDITIONS	TYP			UNITS
		MIN	NPN	PNP	
I _{CBO}	V _{CB} =20V				50 nA
I _{EBO}	V _{EB} =3.0V				50 nA
◆ BV _{CBO}	I _C =100μA	50	135	150	V
◆ BV _{CEO}	I _C =1.0mA	50	65	105	V
◆ BV _{EBO}	I _E =100μA	5.0	8.7	7.5	V
◆ V _{CE(SAT)}	I _C =10mA, I _B =1.0mA		45	50	100 mV
◆◆ V _{CE(SAT)}	I _C =100mA, I _B =10mA		110	225	400 mV
V _{BE(SAT)}	I _C =10mA, I _B =1.0mA		700	700	800 mV
◆ h _{FE}	V _{CE} =5.0V, I _C =0.1mA	300	430	390	900
h _{FE}	V _{CE} =5.0V, I _C =1.0mA	300	435	380	
◆ h _{FE}	V _{CE} =5.0V, I _C =10mA	300	430	350	
◆◆ h _{FE}	V _{CE} =5.0V, I _C =100mA	50	125	75	
◆ f _T	V _{CE} =5.0V, I _C =500μA, f=20MHz	100			MHz
C _{ob}	V _{CB} =5.0V, I _E =0, f=1.0MHz				4.0 pF
C _{ib}	V _{BE} =0.5V, I _C =0, f=1.0MHz				15 pF
h _{fe}	V _{CE} =5.0V, I _C =1.0mA, f=1.0kHz	350			1400
NF	V _{CE} =5.0V, I _C =100μA, R _S =10kΩ f=10Hz to 15.7kHz				3.0 dB

- ◆ Enhanced specification.
- ◆◆ Additional Enhanced specification.

R1 (12-February 2003)

SOT-523 CASE - MECHANICAL OUTLINE

BOTTOM VIEW



LEAD CODE:

- 1) BASE
- 2) EMITTER
- 3) COLLECTOR

MARKING CODES:

CMUT5087E: U87
CMUT5088E: U88

SYMBOL	DIMENSIONS			
	INCHES		MILLIMETERS	
	MIN	MAX	MIN	MAX
A	0.023	0.031	0.58	0.78
B	0.002	0.008	0.04	0.20
C	0.013	0.021	0.34	0.54
D	0.059	0.067	1.50	1.70
E	0.059	0.067	1.50	1.70
F	0.035	0.043	0.90	1.10
G	0.020		0.50	
H	0.031	0.039	0.78	0.98
J	0.010	0.014	0.25	0.35

SOT-523 (REV: R2)



LittleDiode supplies new, hard to find or obsolete electronic components and semiconductors all over the world.

With over two million different components listed you are sure to find the part you need.

Feel free to visit us today at our online store:

LittleDiode.com

Looking forward to providing you with the best possible service.