

CMUT5179

ULTRAmi™
SURFACE MOUNT
NPN SILICON
RF TRANSISTOR

ULTRAmi™



SOT-523 CASE

Central™
Semiconductor Corp.

DESCRIPTION:

The CENTRAL SEMICONDUCTOR CMUT5179 type is an NPN silicon RF transistor manufactured by the epitaxial planar process, epoxy molded in an ULTRAmi™ surface mount package, designed for low noise, high frequency amplifier and high output oscillator applications. **Marking code is HC7.**

MAXIMUM RATINGS: ($T_A=25^\circ\text{C}$)

| | SYMBOL | | UNITS |
|---|----------------|-------------|--------------------|
| Collector-Base Voltage | V_{CBO} | 20 | V |
| Collector-Emitter Voltage | V_{CEO} | 15 | V |
| Emitter-Base Voltage | V_{EBO} | 2.5 | V |
| Collector Current | I_C | 50 | mA |
| Power Dissipation | P_D | 250 | mW |
| Operating and Storage Junction Temperature | T_J, T_{stg} | -65 to +150 | $^\circ\text{C}$ |
| Thermal Resistance | Θ_{JA} | 500 | $^\circ\text{C/W}$ |

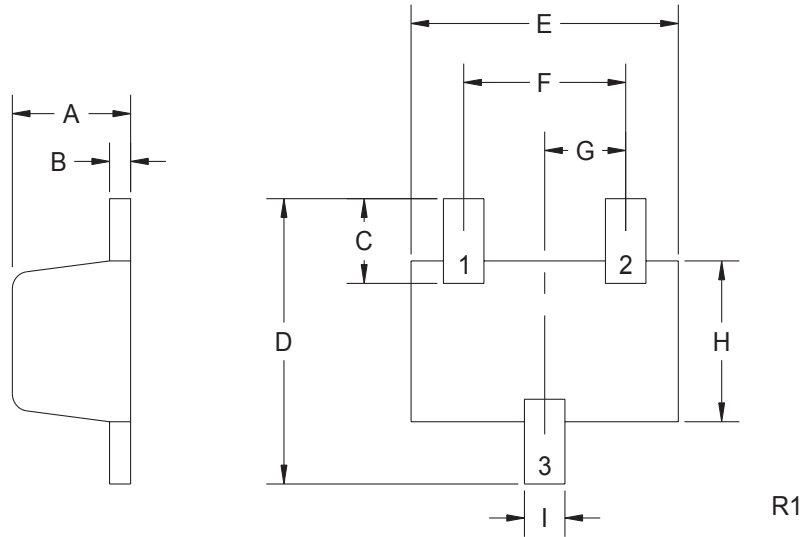
ELECTRICAL CHARACTERISTICS: ($T_A=25^\circ\text{C}$ unless otherwise noted)

| SYMBOL | TEST CONDITIONS | MIN | TYP | MAX | UNITS |
|---------------|---|------------|------------|------------|--------------|
| I_{CBO} | $V_{CB}=15\text{V}$ | | | 20 | nA |
| BV_{CBO} | $I_C=10\mu\text{A}$ | 20 | | | V |
| BV_{CEO} | $I_C=3.0\text{mA}$ | 15 | | | V |
| BV_{EBO} | $I_E=10\mu\text{A}$ | 2.5 | | | V |
| $V_{CE(SAT)}$ | $I_C=10\text{mA}, I_B=1.0\text{mA}$ | | | 0.4 | V |
| $V_{BE(SAT)}$ | $I_C=10\text{mA}, I_B=1.0\text{mA}$ | | | 1.0 | V |
| h_{FE} | $V_{CE}=1.0\text{V}, I_C=3.0\text{mA}$ | 25 | | | |
| f_T | $V_{CE}=6.0\text{V}, I_C=5.0\text{mA}, f=100\text{MHz}$ | 900 | 1450 | | MHz |
| C_{cb} | $V_{CB}=10\text{V}, I_E=0, f=0.1$ to 1.0MHz | | | 1.0 | pF |
| h_{fe} | $V_{CE}=6.0\text{V}, I_C=2.0, f=1.0\text{kHz}$ | 25 | | | |
| G_{pe} | $V_{CE}=6.0\text{V}, I_C=5.0\text{mA}, f=200\text{MHz}$ | | 15 | | dB |
| NF | $V_{CE}=6.0\text{V}, I_C=1.5\text{mA}, R_S=50\Omega, f=200\text{MHz}$ | | 4.5 | | dB |

R0 (15-August 2001)

SOT-523 CASE - MECHANICAL OUTLINE

BOTTOM VIEW



LEAD CODE:

- 1) BASE
- 2) EMITTER
- 3) COLLECTOR

MARKING CODE: HC7

| SYMBOL | DIMENSIONS | | | |
|--------|------------|-------|-------------|------|
| | INCHES | | MILLIMETERS | |
| | MIN | MAX | MIN | MAX |
| A | 0.025 | 0.029 | 0.63 | 0.73 |
| B | 0.004 | 0.005 | 0.10 | 0.13 |
| C | 0.015 | 0.019 | 0.39 | 0.49 |
| D | 0.061 | 0.065 | 1.55 | 1.65 |
| E | 0.061 | 0.065 | 1.55 | 1.65 |
| F | 0.039 | 0.040 | 0.98 | 1.02 |
| G | 0.019 | 0.020 | 0.48 | 0.52 |
| H | 0.033 | 0.037 | 0.83 | 0.93 |
| I | 0.009 | 0.010 | 0.23 | 0.25 |

SOT-523 (REV: R1)



LittleDiode supplies new, hard to find or obsolete electronic components and semiconductors all over the world.

With over two million different components listed you are sure to find the part you need.

Feel free to visit us today at our online store:

LittleDiode.com

Looking forward to providing you with the best possible service.