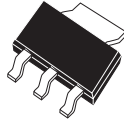


CZTUX87

SURFACE MOUNT
HIGH VOLTAGE
NPN POWER TRANSISTOR



SOT-223 CASE

CentralTM
Semiconductor Corp.

DESCRIPTION:

The CENTRAL SEMICONDUCTOR CZTUX87 type is a NPN Silicon Power Transistor epoxy molded in a surface mount package, designed for high voltage switching applications.

MAXIMUM RATINGS: ($T_A=25^\circ\text{C}$)

	SYMBOL		UNITS
Collector-Emitter Voltage	V_{CEV}	900	V
Collector-Emitter Voltage	V_{CEO}	450	V
Emitter-Base Voltage	V_{EBO}	5.0	V
Collector Current	I_C	0.5	A
Peak Collector Current	I_{CM}	1.0	A
Base Current	I_B	1.0	A
Power Dissipation	P_D	2.0	W
Operating and Storage Junction Temperature	T_J, T_{stg}	-65 to +150	$^\circ\text{C}$
Thermal Resistance	Θ_{JA}	62.5	$^\circ\text{C/W}$

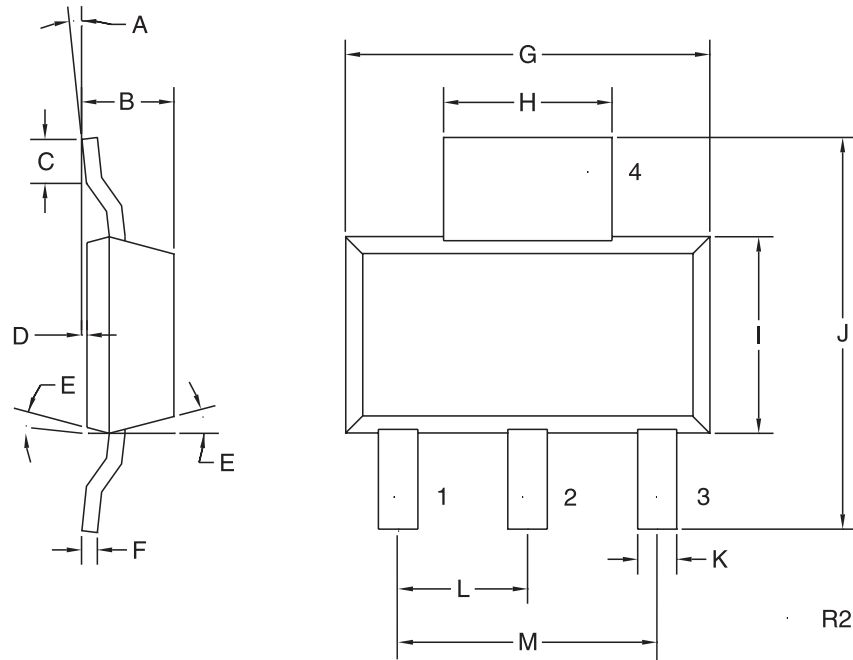
ELECTRICAL CHARACTERISTICS: ($T_A=25^\circ\text{C}$ unless otherwise noted)

SYMBOL	TEST CONDITIONS	MIN	TYP	MAX	UNITS
I_{CEV}	$V_{CE}=900\text{V}, V_{BE}=1.5\text{V}$			100	μA
I_{CEV}	$V_{CE}=900\text{V}, V_{BE}=1.5\text{V}, T_A=125^\circ\text{C}$			1.0	mA
I_{EBO}	$V_{EB}=5.0\text{V}$			1.0	mA
BV_{CEO}	$I_C=30\text{mA}$	450			V
$V_{CE(SAT)}$	$I_C=100\text{mA}, I_B=10\text{mA}$			0.8	V
$V_{CE(SAT)}$	$I_C=200\text{mA}, I_B=20\text{mA}$			1.0	V
$V_{BE(SAT)}$	$I_C=200\text{mA}, I_B=20\text{mA}$			1.0	V
h_{FE}	$V_{CE}=5.0\text{V}, I_C=40\text{mA}$	12			
f_T	$V_{CE}=10\text{V}, I_C=50\text{mA}, f=1.0\text{MHz}$		20		MHz
t_s	$V_{CC}=250\text{V}, I_C=200\text{mA}, I_{B1}=40\text{mA}, I_{B2}=80\text{mA}$		4.5		μs
t_f	$V_{CC}=250\text{V}, I_C=200\text{mA}, I_{B1}=40\text{mA}, I_{B2}=80\text{mA}$		0.5		μs

R0 (27-August 2001)

**SURFACE MOUNT
HIGH VOLTAGE
NPN POWER TRANSISTOR**

SOT-223 CASE - MECHANICAL OUTLINE



LEAD CODE:

- 1. BASE
- 2. COLLECTOR
- 3. EMITTER
- 4. COLLECTOR

SYMBOL	INCHES		MILLIMETERS	
	MIN	MAX	MIN	MAX
A	0°	7°	0°	7°
B	0.063	0.067	1.60	1.70
C	0.022		0.55	
D	0.001	0.004	0.03	0.10
E	15°		15°	
F	0.009	0.013	0.23	0.33
G	0.248	0.264	6.30	6.71
H	0.114	0.122	2.90	3.10
I	0.130	0.146	3.30	3.71
J	0.264	0.287	6.71	7.29
K	0.024	0.031	0.61	0.79
L	0.091		2.31	
M	0.181		4.60	

SOT-223 (REV: R2)

R0 (27-August 2001)



LittleDiode supplies new, hard to find or obsolete electronic components and semiconductors all over the world.

With over two million different components listed you are sure to find the part you need.

Feel free to visit us today at our online store:

LittleDiode.com

Looking forward to providing you with the best possible service.