

DATA SHEET

CBTS3384

10-bit bus switch with 5-bit output enables
and Schottky undershoot protection

Product data
Supersedes data of 2001 Feb 13

2002 Dec 13

10-bit bus switch with 5-bit output enables and Schottky undershoot protection

CBTS3384

FEATURES

- 5 Ω switch connection between two ports
- TTL compatible control input and output levels
- Undershoot protection included to prevent shoot through level changes
- Latch-up protection exceeds 500 mA per JESD78
- ESD protection exceeds 2000 V HBM per JESD22-A114, 200 V MM per JESD22-A115 and 1000 V CDM per JESD22-C101

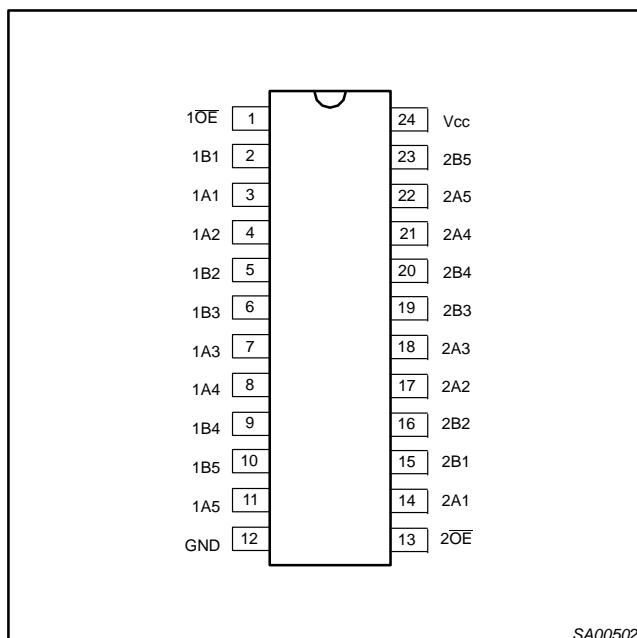
DESCRIPTION

The CBTS3384 provides ten bits of high-speed TTL-compatible bus switching. The low on-state resistance of the switch allows connections to be made with minimal propagation delay.

The CBTS3384 device is organized as two 5-bit bus switches with separate output-enable (\overline{OE}) inputs. When \overline{OE} is LOW, the switch is on and port A is connected to B. When \overline{OE} is HIGH, the switch is open and high-impedance state exists between the two ports.

The CBTS3384 is characterized for operation from -40 to +85 °C.

PIN CONFIGURATION



SA00502

PIN DESCRIPTION

PIN NUMBER	SYMBOL	NAME AND FUNCTION
1, 13	$1\overline{OE}$, $2\overline{OE}$	Output enables
3, 4, 7, 8, 11	1A1-1A5	Inputs
14, 17, 18, 21, 22	2A1-2A5	Inputs
2, 5, 6, 9, 10	1B1-1B5	Outputs
15, 16, 19, 20, 23	2B1-2B5	Outputs
12	GND	Ground (0 V)
24	V _{CC}	Positive supply voltage

QUICK REFERENCE DATA

SYMBOL	PARAMETER	CONDITIONS $T_{amb} = 25\text{ °C}$; GND = 0 V	TYPICAL	UNIT
t_{PLH} t_{PHL}	Propagation delay An to Yn	$C_L = 50\text{ pF}$; $V_{CC} = 5\text{ V}$	250	ps
C_{IN}	Input capacitance	$V_I = 0\text{ V}$ or V_{CC}	4	pF
C_{OUT}	Output capacitance	Outputs disabled; $V_O = 0\text{ V}$ or V_{CC}	10	pF
I_{CCZ}	Total supply current	Outputs disabled; $V_{CC} = 5.5\text{ V}$	3	μA

ORDERING INFORMATION

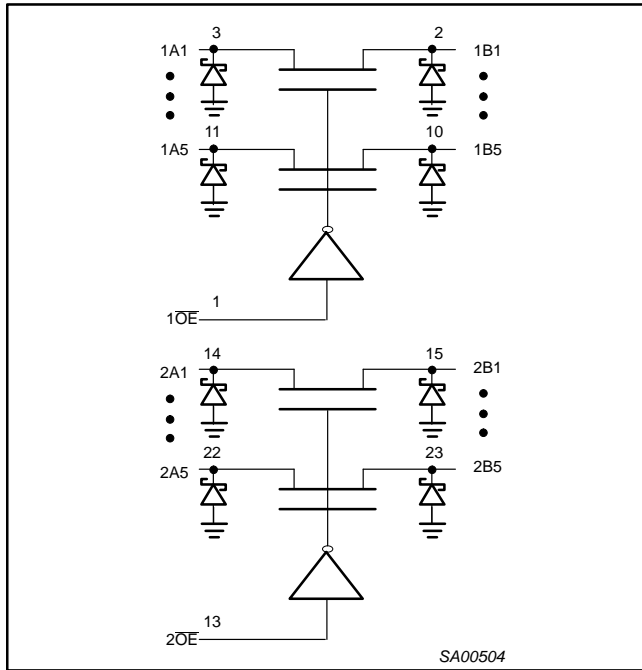
PACKAGES	TEMPERATURE RANGE	ORDER CODE	DWG NUMBER
24-Pin Plastic SO	-40 to +85 °C	CBTS3384D	SOT137-1
24-Pin Plastic SSOP	-40 to +85 °C	CBTS3384DB	SOT340-1
24-Pin Plastic SSOP (QSOP)	-40 to +85 °C	CBTS3384DK	SOT556-1
24-Pin Plastic TSSOP	-40 to +85 °C	CBTS3384PW	SOT355-1

Standard packing quantities and other packaging data is available at www.philipslogic.com/packaging.

10-bit bus switch with 5-bit output enables and Schottky undershoot protection

CBTS3384

LOGIC SYMBOL



FUNCTION TABLE

INPUTS		OUTPUTS	
1OE	2OE	1A, 1B	2A, 2B
L	L	1A = 1B	2A = 2B
L	H	1A = 1B	Z
H	L	Z	2A = 2B
H	H	Z	Z

H = High voltage level
 L = Low voltage level
 Z = High impedance "off" state

ABSOLUTE MAXIMUM RATINGS^{1, 2}

SYMBOL	PARAMETER	CONDITIONS	RATING	UNIT
V _{CC}	DC supply voltage		-0.5 to +7.0	V
I _{IK}	DC input diode current		-50	mA
V _I	DC input voltage ³		-1.2 to +7.0	V
I _{SW}	DC output diode current	V _O < 0	±128	mA
T _{stg}	Storage temperature range		-65 to +150	°C

NOTES:

- Stresses beyond those listed may cause permanent damage to the device. These are stress ratings only and functional operation of the device at these or any other conditions beyond those indicated under "recommended operating conditions" is not implied. Exposure to absolute-maximum-rated conditions for extended periods may affect device reliability.
- The performance capability of a high-performance integrated circuit in conjunction with its thermal environment can create junction temperatures which are detrimental to reliability. The maximum junction temperature of this integrated circuit should not exceed 150°C.
- The input and output voltage ratings may be exceeded if the input and output current ratings are observed.

RECOMMENDED OPERATING CONDITIONS

SYMBOL	PARAMETER	LIMITS		UNIT
		Min	Max	
V _{CC}	DC supply voltage	4.5	5.5	V
V _{IH}	High-level input voltage	2.0		V
V _{IL}	Low-level Input voltage		0.8	V
T _{amb}	Operating free-air temperature range	-40	+85	°C

10-bit bus switch with 5-bit output enables and Schottky undershoot protection

CBTS3384

DC ELECTRICAL CHARACTERISTICS

SYMBOL	PARAMETER	TEST CONDITIONS	LIMITS			UNIT
			T _{amb} = -40 to +85 °C			
			Min	Typ ¹	Max	
V _{IK}	Input clamp voltage	V _{CC} = 4.5 V; I _I = -18 mA	—	—	-1.2	V
I _I	Input leakage current	V _{CC} = 5.5 V; V _I = GND or 5.5 V	—	—	±1	μA
I _{CC}	Quiescent supply current ²	V _{CC} = 5.5 V; I _O = 0, V _I = V _{CC} or GND	—	—	3	μA
ΔI _{CC}	Additional supply current per input pin ²	V _{CC} = 5.5 V, one input at 3.4 V, other inputs at V _{CC} or GND	—	—	2.5	mA
C _I	Control pins	V _I = 3.0 V or 0	—	4	—	pF
C _{I(OFF)}	Power-off leakage current	V _O = 3.0 V or 0, \overline{OE} = V _{CC}	—	10	—	pF
r _{on} ³	On-resistance	V _{CC} = 4.5 V; V _I = 0 V; I _I = 64 mA	—	5	7	Ω
		V _{CC} = 4.5 V; V _I = 0 V; I _I = 30 mA	—	5	7	
		V _{CC} = 4.5 V; V _I = 2.4 V; I _I = -15 mA	—	10	15	
V _P	Pass voltage	V _I = V _{CC} = 5.0 V; I _O = -100 μA	3.4	3.6	3.9	V
I _{UCP}	Undershoot static current protection	V _{CC} = 5.0 V, I _B = 400 μA; \overline{OE} = 5.0 V; V _B ≥ 3.0 V	—	8	—	mA

NOTES:

- All typical values are at V_{CC} = 5 V, T_{amb} = 25 °C.
- This is the increase in supply current for each input that is at the specified TTL voltage level rather than V_{CC} or GND.
- Measured by the voltage drop between the A and the B terminals at the indicated current through the switch. On-state resistance is determined by the lowest voltage of the two (A or B) terminals.

AC CHARACTERISTICS

GND = 0 V; t_R; C_L = 50 pF

SYMBOL	PARAMETER	FROM (INPUT)	TO (OUTPUT)	LIMITS		UNIT
				V _{CC} = +5.0 V ±0.5 V		
				Min	Max	
t _{pd}	Propagation delay ¹	A or B	B or A	—	0.25	ns
t _{en}	Output enable time to High and Low level	\overline{OE}	A or B	1.0	5.7	ns
t _{dis}	Output disable time from High and Low level	\overline{OE}	A or B	1.0	5.2	ns

NOTE:

- This parameter is warranted but not production tested. The propagation delay is based on the RC time constant of the typical on-state resistance of the switch and a load capacitance of 50 pF, when driven by an ideal voltage source (zero output impedance).

SYMBOL	PARAMETER DESCRIPTION	LIMITS			UNIT
		-40 to +85 °C			
		V _{CC} = 5 V, ±0.5 V			
		MIN.	MEAN	MAX.	
t _{PD}	Propagation delay (see Note 1)	—	—	250	pS
t _{PZH}	Output enable time to High level	1.6	3.4	5.6	nS
t _{PHZ}	Output enable time from High level	1.7	3.3	5.5	nS
t _{PZL}	Output enable time to Low level	2.3	4	6	nS
t _{PLZ}	Output enable time from Low level	2.5	4.5	6.6	nS

NOTE:

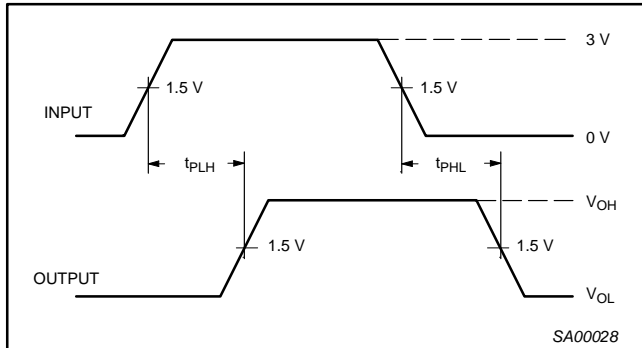
- This parameter is warranted but not production tested. The propagation delay is based on the RC time constant of the typical on-state resistance of the switch and a load capacitance of 50 pF, when driven by an ideal voltage source (zero output impedance); at +25 °C.

10-bit bus switch with 5-bit output enables and Schottky undershoot protection

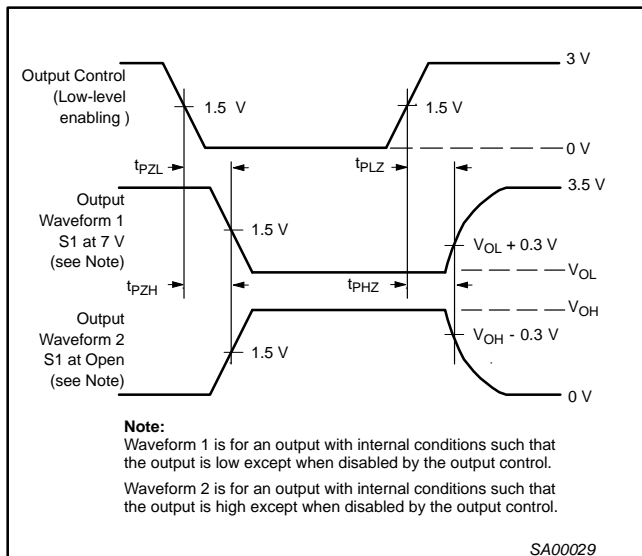
CBTS3384

AC WAVEFORMS

$V_M = 1.5\text{ V}$, $V_{IN} = \text{GND to } 3.0\text{ V}$

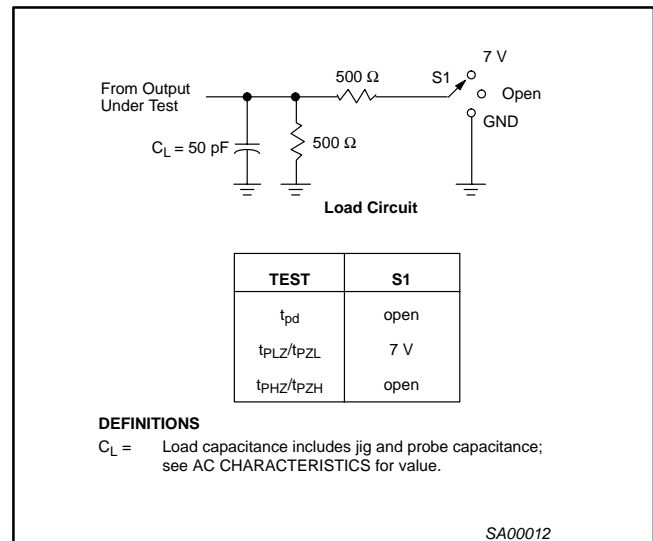


Waveform 1. Input (An) to Output (Yn) Propagation Delays



Waveform 2. 3-State Output Enable and Disable Times

TEST CIRCUIT AND WAVEFORMS



NOTES:

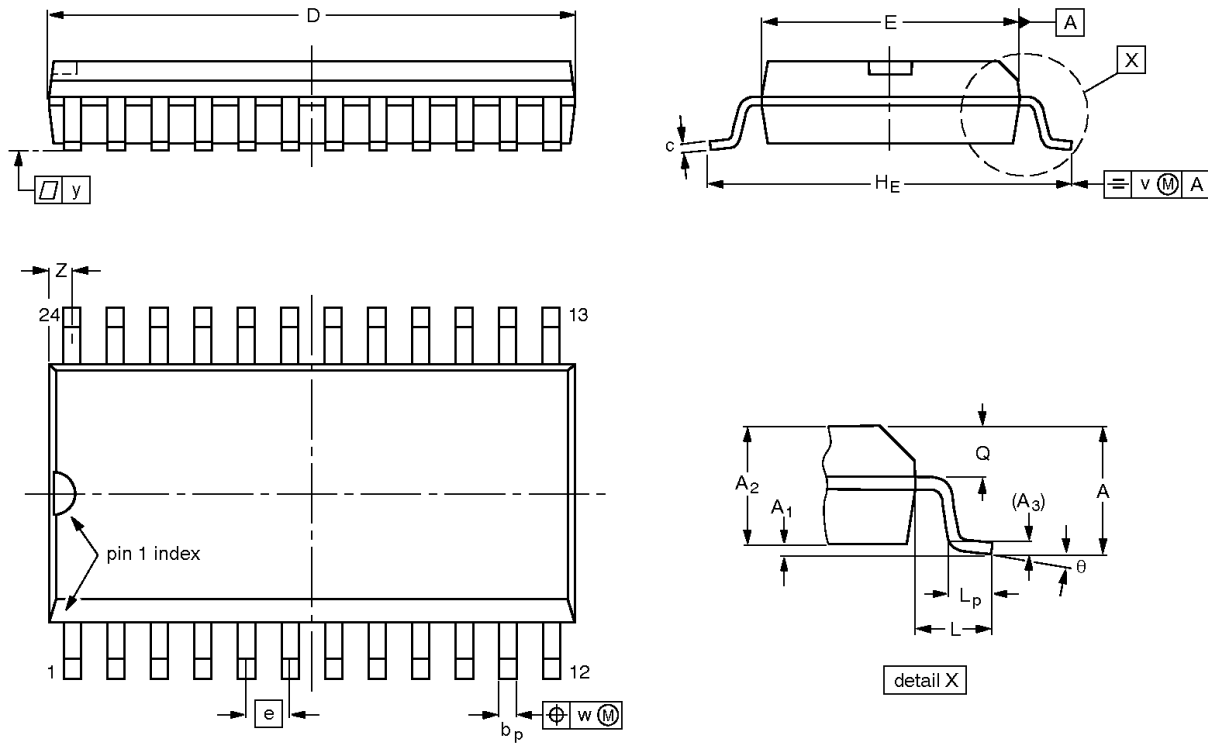
1. All input pulses are supplied by generators having the following characteristics: $PRR \leq 10\text{ MHz}$, $Z_O = 50\ \Omega$, $t_r \leq 2.5\text{ ns}$, $t_f \leq 2.5\text{ ns}$.
2. The outputs are measured one at a time with one transition per measurement.

10-bit bus switch with 5-bit output enables and Schottky undershoot protection

CBTS3384

SO24: plastic small outline package; 24 leads; body width 7.5 mm

SOT137-1



DIMENSIONS (inch dimensions are derived from the original mm dimensions)

UNIT	A max.	A ₁	A ₂	A ₃	b _p	c	D ⁽¹⁾	E ⁽¹⁾	e	H _E	L	L _p	Q	v	w	y	Z ⁽¹⁾	θ
mm	2.65	0.30 0.10	2.45 2.25	0.25	0.49 0.36	0.32 0.23	15.6 15.2	7.6 7.4	1.27	10.65 10.00	1.4	1.1 0.4	1.1 1.0	0.25	0.25	0.1	0.9 0.4	g° 0°
inches	0.10	0.012 0.004	0.096 0.089	0.01	0.019 0.014	0.013 0.009	0.61 0.60	0.30 0.29	0.050	0.419 0.394	0.055	0.043 0.016	0.043 0.039	0.01	0.01	0.004	0.035 0.016	

Note

1. Plastic or metal protrusions of 0.15 mm maximum per side are not included.

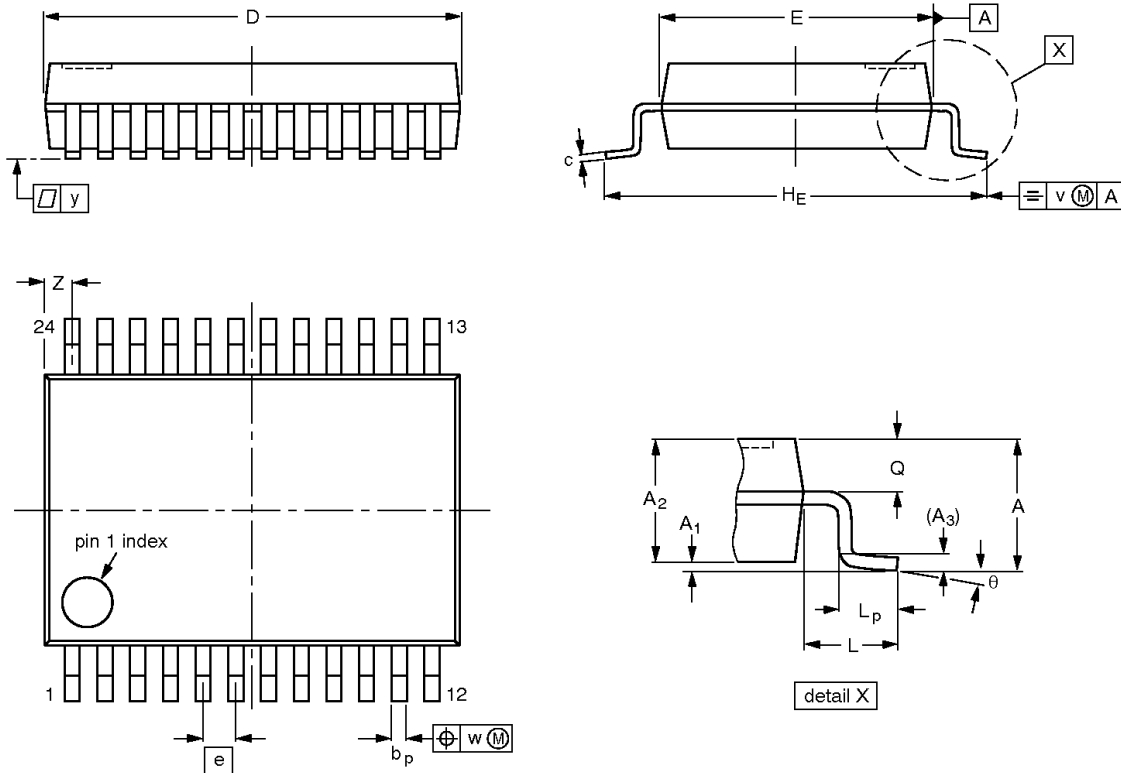
OUTLINE VERSION	REFERENCES				EUROPEAN PROJECTION	ISSUE DATE
	IEC	JEDEC	EIAJ			
SOT137-1	075E05	MS-013				-97-05-22 99-12-27

10-bit bus switch with 5-bit output enables and Schottky undershoot protection

CBTS3384

SSOP24: plastic shrink small outline package; 24 leads; body width 5.3 mm

SOT340-1



DIMENSIONS (mm are the original dimensions)

UNIT	A _{max.}	A ₁	A ₂	A ₃	b _p	c	D ⁽¹⁾	E ⁽¹⁾	e	H _E	L	L _p	Q	v	w	y	Z ⁽¹⁾	θ
mm	2.0	0.21 0.05	1.80 1.65	0.25	0.38 0.25	0.20 0.09	8.4 8.0	5.4 5.2	0.65	7.9 7.6	1.25	1.03 0.63	0.9 0.7	0.2	0.13	0.1	0.8 0.4	8° 0°

Note

1. Plastic or metal protrusions of 0.20 mm maximum per side are not included.

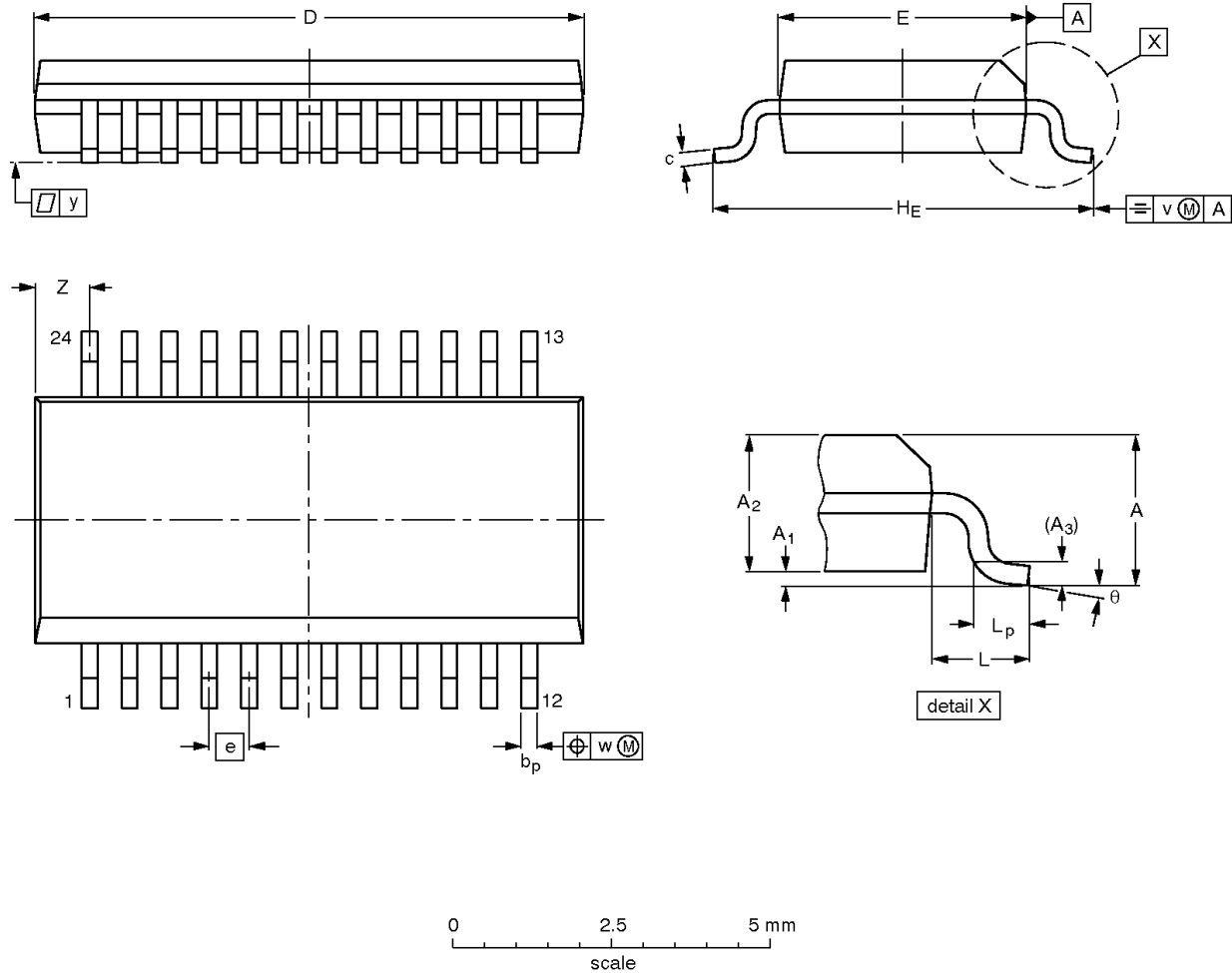
OUTLINE VERSION	REFERENCES				EUROPEAN PROJECTION	ISSUE DATE
	IEC	JEDEC	EIAJ			
SOT340-1		MO-150				95-02-04 99-12-27

10-bit bus switch with 5-bit output enables and Schottky undershoot protection

CBTS3384

SSOP24: plastic shrink small outline package; 24 leads;
body width 3.9 mm; lead pitch 0.635 mm

SOT556-1



DIMENSIONS (millimetre dimensions are derived from the original inch dimensions)

UNIT	A max.	A ₁	A ₂	A ₃	b _p	c	D ⁽¹⁾	E ⁽¹⁾	e	H _E	L	L _p	v	w	y	Z ⁽¹⁾	θ
mm	1.73	0.25 0.10	1.55 1.40	0.25	0.31 0.20	0.25 0.18	8.8 8.6	4.0 3.8	0.635	6.2 5.8	1.0	0.89 0.41	0.25	0.18	0.1	1.05 0.66	8° 0°
inches	0.068	0.0098 0.0040	0.061 0.055	0.010	0.012 0.008	0.0098 0.0075	0.344 0.337	0.157 0.150	0.025	0.244 0.228	0.041	0.035 0.016	0.010	0.007	0.004	0.040 0.026	8° 0°

Note

1. Plastic or metal protrusions of 0.20 mm maximum per side are not included.

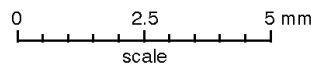
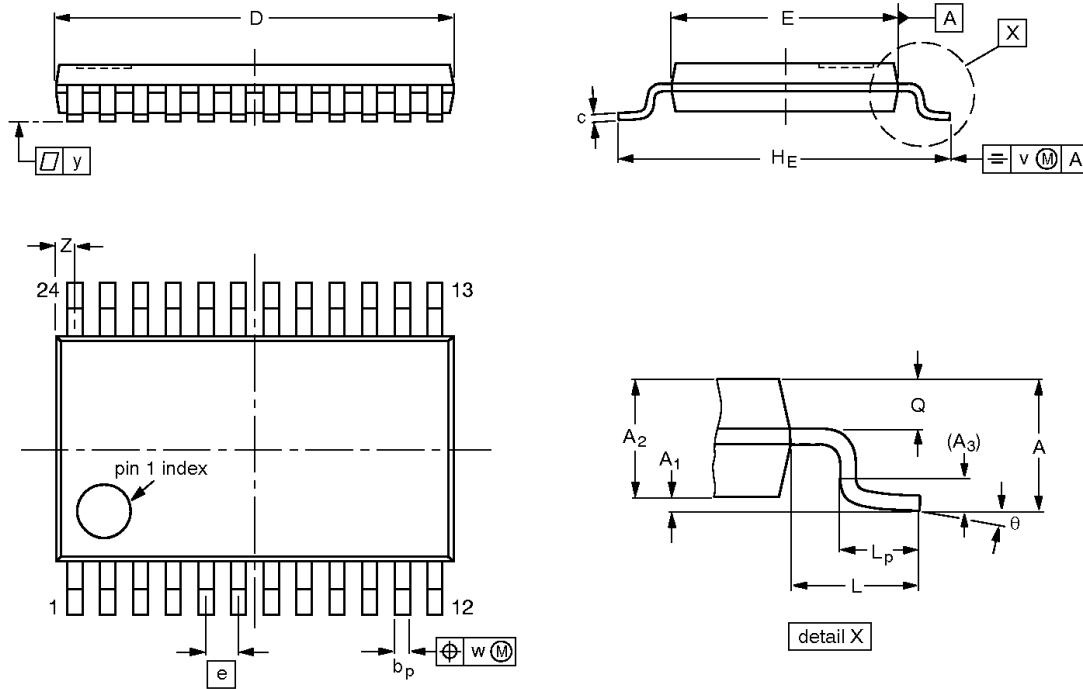
OUTLINE VERSION	REFERENCES			EUROPEAN PROJECTION	ISSUE DATE
	IEC	JEDEC	EIAJ		
SOT556-1		MO-137			99-05-05- 99-12-27

10-bit bus switch with 5-bit output enables and Schottky undershoot protection

CBTS3384

TSSOP24: plastic thin shrink small outline package; 24 leads; body width 4.4 mm

SOT355-1



DIMENSIONS (mm are the original dimensions)

UNIT	A max.	A ₁	A ₂	A ₃	b _p	c	D ⁽¹⁾	E ⁽²⁾	e	H _E	L	L _p	Q	v	w	y	Z ⁽¹⁾	θ
mm	1.10	0.15 0.05	0.95 0.80	0.25	0.30 0.19	0.2 0.1	7.9 7.7	4.5 4.3	0.65	6.6 6.2	1.0	0.75 0.50	0.4 0.3	0.2	0.13	0.1	0.5 0.2	8° 0°

Notes

1. Plastic or metal protrusions of 0.15 mm maximum per side are not included.
2. Plastic interlead protrusions of 0.25 mm maximum per side are not included.

OUTLINE VERSION	REFERENCES				EUROPEAN PROJECTION	ISSUE DATE
	IEC	JEDEC	EIAJ			
SOT355-1		MO-153				95-02-04 99-12-27

**10-bit bus switch with 5-bit output enables
and Schottky undershoot protection**

CBTS3384**REVISION HISTORY**

Rev	Date	Description
_2	20021213	Product data (9397 750 09249); ECN 853-2238 27501 of 20 December 2001. Modifications: <ul style="list-style-type: none">• New package release.
_1	20010213	Product data (9397 750 08073); ECN 853-2238 25635 of 13 February 2001.

10-bit bus switch with 5-bit output enables and Schottky undershoot protection

CBTS3384

Data sheet status

Level	Data sheet status ^[1]	Product status ^[2] [3]	Definitions
I	Objective data	Development	This data sheet contains data from the objective specification for product development. Philips Semiconductors reserves the right to change the specification in any manner without notice.
II	Preliminary data	Qualification	This data sheet contains data from the preliminary specification. Supplementary data will be published at a later date. Philips Semiconductors reserves the right to change the specification without notice, in order to improve the design and supply the best possible product.
III	Product data	Production	This data sheet contains data from the product specification. Philips Semiconductors reserves the right to make changes at any time in order to improve the design, manufacturing and supply. Relevant changes will be communicated via a Customer Product/Process Change Notification (CPCN).

[1] Please consult the most recently issued data sheet before initiating or completing a design.

[2] The product status of the device(s) described in this data sheet may have changed since this data sheet was published. The latest information is available on the Internet at URL <http://www.semiconductors.philips.com>.

[3] For data sheets describing multiple type numbers, the highest-level product status determines the data sheet status.

Definitions

Short-form specification — The data in a short-form specification is extracted from a full data sheet with the same type number and title. For detailed information see the relevant data sheet or data handbook.

Limiting values definition — Limiting values given are in accordance with the Absolute Maximum Rating System (IEC 60134). Stress above one or more of the limiting values may cause permanent damage to the device. These are stress ratings only and operation of the device at these or at any other conditions above those given in the Characteristics sections of the specification is not implied. Exposure to limiting values for extended periods may affect device reliability.

Application information — Applications that are described herein for any of these products are for illustrative purposes only. Philips Semiconductors make no representation or warranty that such applications will be suitable for the specified use without further testing or modification.

Disclaimers

Life support — These products are not designed for use in life support appliances, devices, or systems where malfunction of these products can reasonably be expected to result in personal injury. Philips Semiconductors customers using or selling these products for use in such applications do so at their own risk and agree to fully indemnify Philips Semiconductors for any damages resulting from such application.

Right to make changes — Philips Semiconductors reserves the right to make changes in the products—including circuits, standard cells, and/or software—described or contained herein in order to improve design and/or performance. When the product is in full production (status 'Production'), relevant changes will be communicated via a Customer Product/Process Change Notification (CPCN). Philips Semiconductors assumes no responsibility or liability for the use of any of these products, conveys no license or title under any patent, copyright, or mask work right to these products, and makes no representations or warranties that these products are free from patent, copyright, or mask work right infringement, unless otherwise specified.

Contact information

For additional information please visit
<http://www.semiconductors.philips.com>. Fax: +31 40 27 24825

© Koninklijke Philips Electronics N.V. 2002
All rights reserved. Printed in U.S.A.

Date of release: 12-02

For sales offices addresses send e-mail to:
sales.addresses@www.semiconductors.philips.com.

Document order number:

9397 750 09249

Let's make things better.



LittleDiode supplies new, hard to find or obsolete electronic components and semiconductors all over the world.

With over two million different components listed you are sure to find the part you need.

Feel free to visit us today at our online store:

LittleDiode.com

Looking forward to providing you with the best possible service.