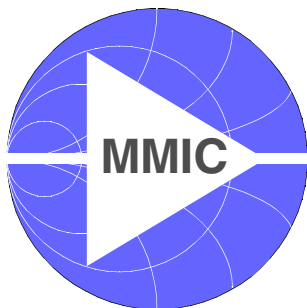


BGA616

Silicon Germanium
Broadband MMIC Amplifier



Wireless
Silicon Discretes



Never stop thinking.

Edition 2001-11-14

**Published by Infineon Technologies AG,
St.-Martin-Strasse 53,
D-81541 München**

**© Infineon Technologies AG 2001
All Rights Reserved.**

Attention please!

The information herein is given to describe certain components and shall not be considered as warranted characteristics.

Terms of delivery and rights to technical change reserved.

We hereby disclaim any and all warranties, including but not limited to warranties of non-infringement, regarding circuits, descriptions and charts stated herein.

Infineon Technologies is an approved CECC manufacturer.

Information

For further information on technology, delivery terms and conditions and prices please contact your nearest Infineon Technologies Office in Germany or our Infineon Technologies Representatives worldwide (see address list).

Warnings

Due to technical requirements components may contain dangerous substances. For information on the types in question please contact your nearest Infineon Technologies Office.

Infineon Technologies Components may only be used in life-support devices or systems with the express written approval of Infineon Technologies, if a failure of such components can reasonably be expected to cause the failure of that life-support device or system, or to affect the safety or effectiveness of that device or system. Life support devices or systems are intended to be implanted in the human body, or to support and/or maintain and sustain and/or protect human life. If they fail, it is reasonable to assume that the health of the user or other persons may be endangered.

BGA616**Preliminary data sheet****Revision History:** **2001-11-14**

Preliminary

Previous Version: 2001-07-13

Page	Subjects (major changes since last revision)
5	Maximum ratings defined

For questions on technology, delivery and prices please contact the Infineon Technologies Offices in Germany or the Infineon Technologies Companies and Representatives worldwide: see our webpage at <http://www.infineon.com>

We Listen to Your Comments

Any information within this document that you feel is wrong, unclear or missing at all? Your feedback will help us to continuously improve the quality of this document.

Please send your proposal (including a reference to this document) to:

mcdocu.comments@infineon.com



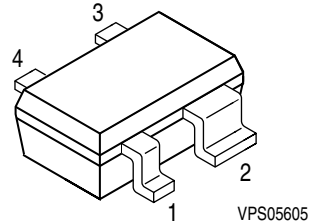
Preliminary

Silicon Germanium Broadband MMIC Amplifier

BGA616

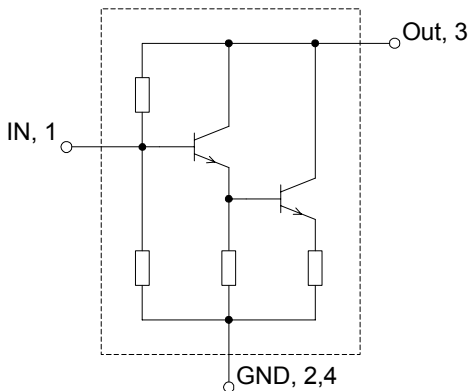
Features

- Cascadable 50Ω-gain block
- 3 dB-bandwidth: DC to 2.7 GHz with
18.5 dB typical gain at 1.0 GHz
- Compression point $P_{-1dB} = 18$ dBm at 2.0 GHz
- Noise figure $F_{50\Omega} = 2.90$ dB at 2.0 GHz
- Absolute stable
- 70 GHz f_T - Silicon Germanium technology



Applications

- Driver amplifier for GSM/PCS/CDMA/UMTS
- Broadband amplifier for SAT-TV & LNBS
- Broadband amplifier for CATV



Description

The BGA616 is a broadband matched, general purpose MMIC amplifier in a Darlington configuration. It is optimized for a typical supply current of 60mA.

The BGA616 is based on Infineon Technologies' B7HF Silicon Germanium technology.

ESD: Electrostatic discharge sensitive device, observe handling precaution!

Type	Package	Marking	Chip
BGA616	SOT343	BPs	T0566

Preliminary
Maximum Ratings

Parameter	Symbol	Value	Unit
Device voltage	V_D	4.5	V
Device current	I_D	80	mA
Current into pin In	I_{In}	0.7	mA
Total power dissipation, $T_S < 78^\circ\text{C}$ ¹⁾	P_{tot}	360	mW
Junction temperature	T_j	150	$^\circ\text{C}$
Ambient temperature range	T_A	-65 ... +150	$^\circ\text{C}$
Storage temperature range	T_{STG}	-65 ... +150	$^\circ\text{C}$
Thermal resistance: junction-soldering point	R_{thJS}	200	K/W

Notes:

All Voltages refer to GND-Node

¹⁾ T_S is measured on the ground lead at the soldering point

Electrical Characteristics at $T_A=25^\circ\text{C}$ (measured in test circuit specified in fig. 1)

 $V_{CC}=5\text{V}$, $R_{Bias}=15\Omega$, Frequency=2GHz, unless otherwise specified

Parameter	Symbol	min.	typ.	max.	Unit
Insertion power gain	$ S_{21} ^2$	-	19.5	-	dB
f = 0.1GHz		-	18.5	-	
f = 1.0GHz		-	17.5	-	
f = 2.0GHz		-		-	
Noise Figure ($Z_S=50\Omega$)	$F_{50\Omega}$	-	2.50	-	dB
f = 0.1GHz		-	2.80	-	
f = 1.0GHz		-	2.90	-	
f = 2.0GHz		-		-	
Output Power at 1dB Gain Compression	P_{-1dB}	-	18	-	dBm
Output Third Order Intercept Point	OIP_3	-	29	-	dBm
Input Return Loss	RL_{In}	-	19	-	dB
Output Return Loss	RL_{Out}	-	25	-	dB
Total Device Current	I_D	-	60	-	mA

Preliminary

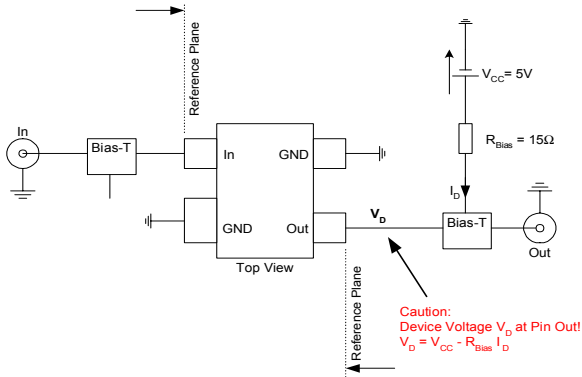


Fig.1: Test Circuit for Electrical Characteristics and S-Parameters

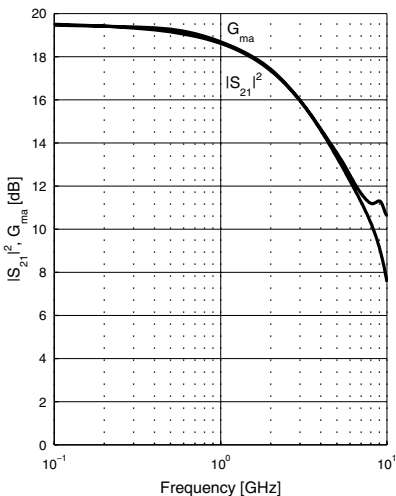
S-Parameter $V_{CC}=5V$, $R_{Bias}=15\Omega$ (see Electrical Characteristics for conditions)

Frequency [GHz]	S11 Mag	S11 Ang	S21 Mag	S21 Ang	S12 Mag	S12 Ang	S22 Mag	S22 Ang
0.1	0.0788	36.2	9.3218	177.9	0.0758	-0.1	0.1072	1.0
0.2	0.0822	10.5	9.3036	173.8	0.0756	1.0	0.1071	-1.2
0.4	0.0824	15.1	9.1939	166.6	0.0749	2.5	0.1082	-3.8
0.6	0.0888	17.9	9.0876	160.2	0.0748	4.4	0.1052	-7.0
0.8	0.0981	15.7	8.8024	153.5	0.0752	6.1	0.0999	-10.4
1.0	0.1033	20.0	8.5448	147.6	0.0762	8.0	0.0937	-14.0
1.2	0.1103	22.4	8.3023	141.8	0.0772	9.3	0.0860	-16.7
1.4	0.1134	20.4	8.0733	135.4	0.0782	10.6	0.0800	-20.7
1.6	0.1159	18.6	7.8136	130.5	0.0801	12.2	0.0735	-24.8
1.8	0.1113	13.6	7.5448	125.1	0.0820	13.1	0.0666	-29.8
2.0	0.1201	15.4	7.3943	120.1	0.0831	14.5	0.0578	-35.8
3.0	0.0875	7.4	6.2842	97.2	0.0969	18.2	0.0165	-116.2
4.0	0.0512	20.9	5.3567	77.5	0.1136	18.3	0.0831	164.4
5.0	0.0422	107.8	4.6655	59.3	0.1333	15.8	0.1644	147.1
6.0	0.0960	137.4	4.1016	41.5	0.1538	10.6	0.2237	129.0
7.0	0.1586	122.7	3.6045	26.0	0.1734	4.8	0.2858	116.3
8.0	0.2356	113.5	3.2953	9.3	0.1950	-3.0	0.3679	108.2

Preliminary

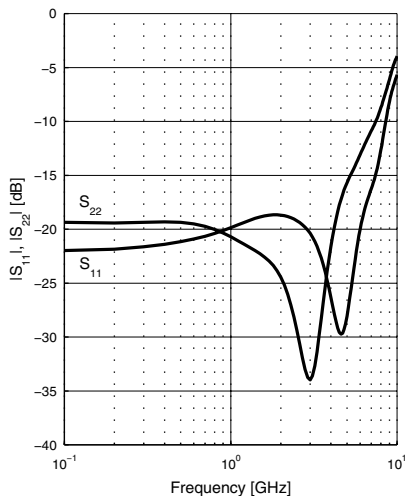
Power Gain $|S_{21}|^2, G_{ma} = f(f)$

$V_{CC} = 5V, R_{Bias} = 15\Omega, I_C = 60mA$



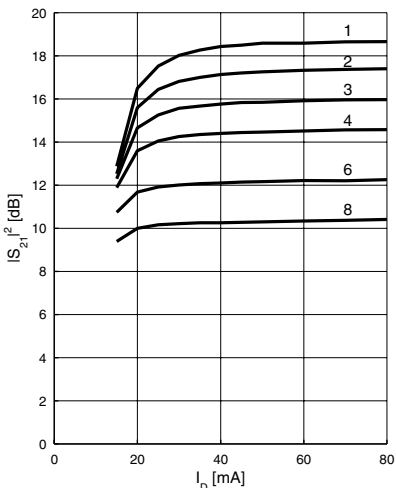
Matching $|S_{11}|, |S_{22}| = f(f)$

$V_{CC} = 5V, R_{Bias} = 15\Omega, I_C = 60mA$



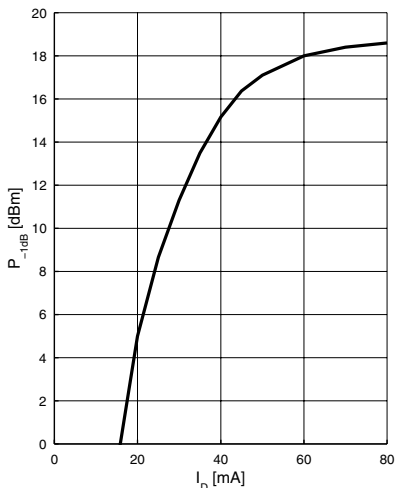
Power Gain $|S_{21}| = f(I_D)$

f = parameter in GHz



Output Compression Point

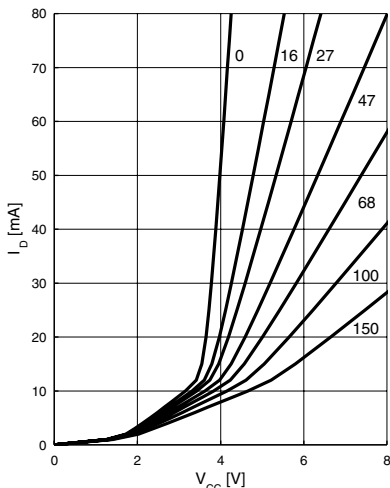
$P_{-1dB} = f(I_D), f = 2GHz$



Preliminary

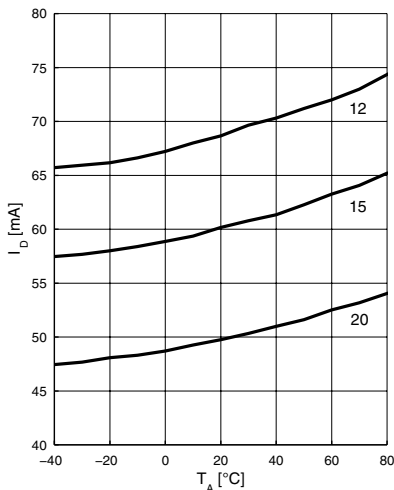
Device Current $I_D = f(V_{CC})$

R_{Bias} = parameter in Ω



Device Current $I_D = f(T_A)$

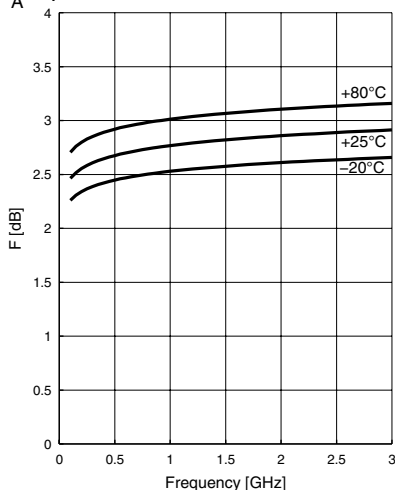
$V_D = 5V$, R_{Bias} = parameter in Ω



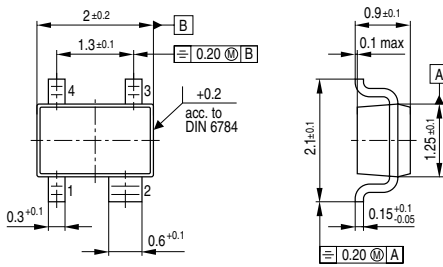
Noise figure $F = f(f)$

$V_{CC} = 5V$, $R_{Bias} = 15\Omega$, $Z_S = 50\Omega$

T_A = parameter in $^{\circ}C$



Package Outline



GPS06605



LittleDiode supplies new, hard to find or obsolete electronic components and semiconductors all over the world.

With over two million different components listed you are sure to find the part you need.

Feel free to visit us today at our online store:

LittleDiode.com

Looking forward to providing you with the best possible service.