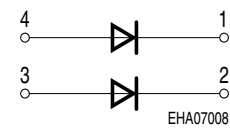
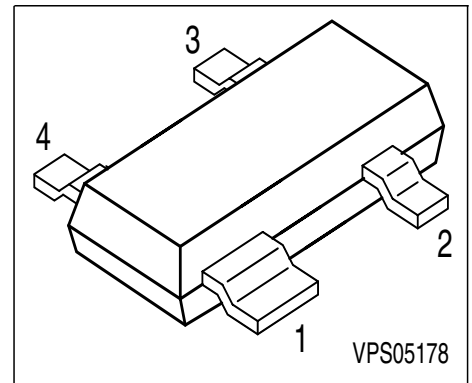


Silicon RF Switching Diode

- Low loss, low capacitance PIN-diode
- Band switch for TV-tuners
- Series diode for mobile communication transmit-receiver switch
- Unconnected pair



Type	Marking	Pin Configuration				Package
BAR 65-07	M	1 = C1	2 = C2	3 = A2	4 = A1	SOT-143

Maximum Ratings

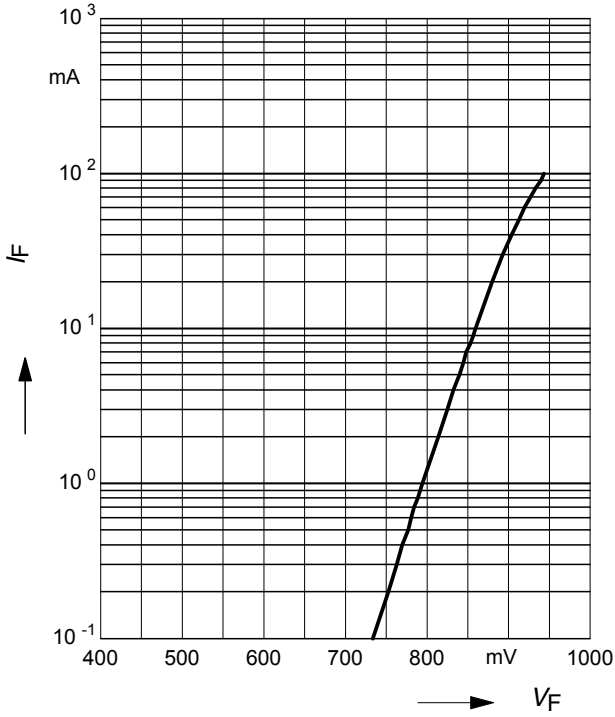
Parameter	Symbol	Value	Unit
Diode reverse voltage	V_R	30	V
Forward current	I_F	100	mA
Operating temperature range	T_{op}	-55 ... 125	°C
Storage temperature	T_{stg}	-55 ... 150	

Electrical Characteristics at $T_A = 25^\circ\text{C}$, unless otherwise specified.

Parameter	Symbol	Values			Unit
		min.	typ.	max.	
DC Characteristics					
Reverse current $V_R = 20\text{ V}$	I_R	-	-	20	nA
Forward voltage $I_F = 100\text{ mA}$	V_F	-	0.93	1	V
AC Characteristics					
Diode capacitance $V_R = 1\text{ V}, f = 1\text{ MHz}$ $V_R = 3\text{ V}, f = 1\text{ MHz}$	C_T	-	0.6 0.57	0.9 0.8	pF
Forward resistance $I_F = 5\text{ mA}, f = 100\text{ MHz}$ $I_F = 10\text{ mA}, f = 100\text{ MHz}$	r_f	-	0.65 0.56	0.95 0.9	Ω
Charge carrier life time $I_F = 10\text{ mA}, I_R = 6\text{ mA}, I_R = 3\text{ mA}$	τ_{rr}	-	80	-	ns
Series inductance	L_s	-	2	-	nH

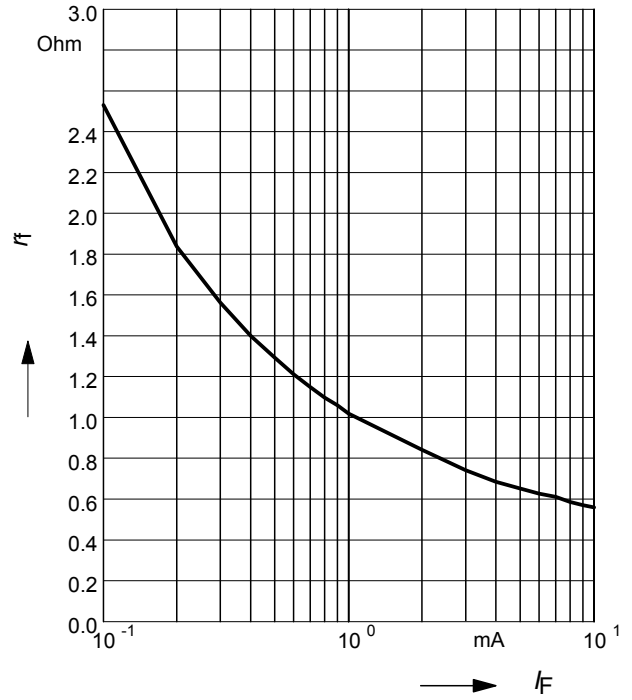
Forward current $I_F = f(V_F)$

$T_A = 25^\circ\text{C}$



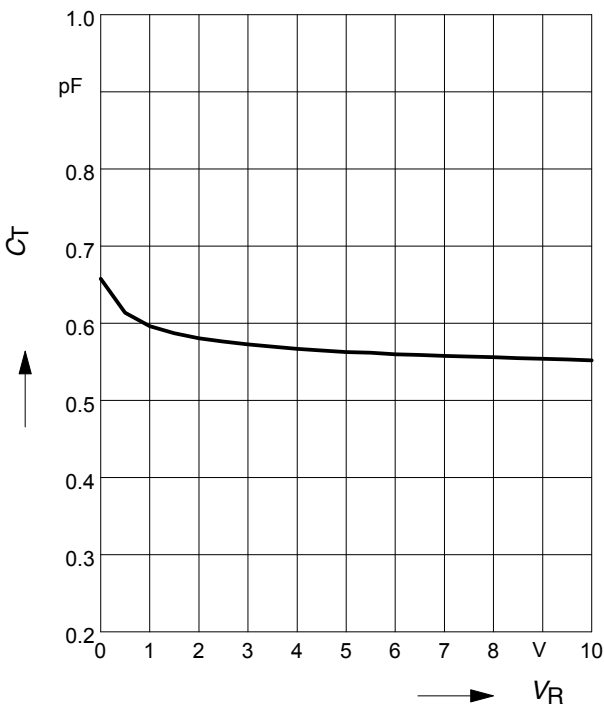
Forward resistance $r_f = f(I_F)$

$f = 100\text{MHz}$



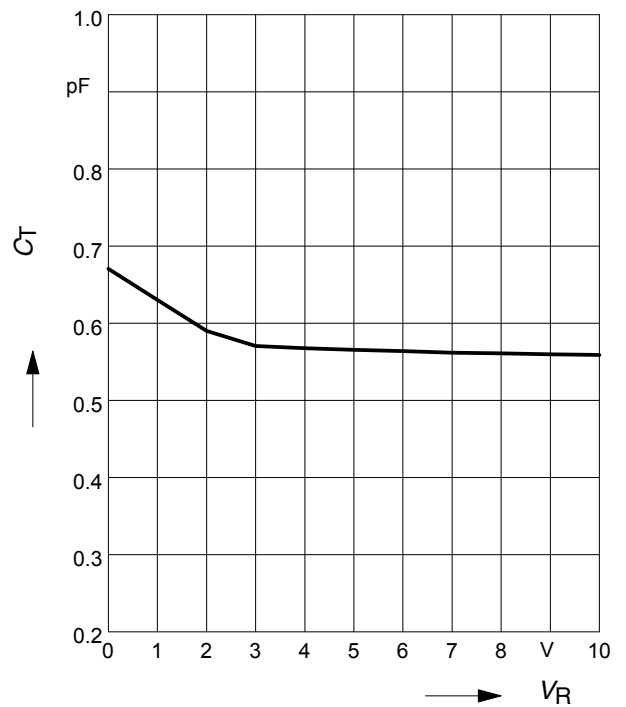
Diode capacitance $C_T = f(V_R)$

$f = 1\text{MHz}$



Diode capacitance $C_T = f(V_R)$

$f = 100\text{MHz}$





LittleDiode supplies new, hard to find or obsolete electronic components and semiconductors all over the world.

With over two million different components listed you are sure to find the part you need.

Feel free to visit us today at our online store:

LittleDiode.com

Looking forward to providing you with the best possible service.