

CMR1U-01 CMR1U-06
 CMR1U-02 CMR1U-10
 CMR1U-04

**SURFACE MOUNT ULTRA FAST
 RECOVERY SILICON RECTIFIER
 1.0 AMP, 100 THRU 1000 VOLTS**



SMB CASE

Central™

Semiconductor Corp.

FEATURES:

- LOW COST
- SPECIAL SELECTIONS AVAILABLE
- HIGH RELIABILITY
- SUPERIOR LOT TO LOT CONSISTENCY
- GLASS PASSIVATED CHIP
- “C” BEND CONSTRUCTION PROVIDES STRAIN RELIEF WHEN MOUNTED ON PC BOARD

DESCRIPTION:

The CENTRAL SEMICONDUCTOR 1.0 Amp Surface Mount Silicon Ultra Fast Recovery Rectifier is a high quality, well constructed, highly reliable component designed for use in all types of commercial, industrial, entertainment, computer and automotive applications. To order devices on 12mm Tape and Reel (3000/ 13” Reel), add TR13 suffix to part number

MARKING CODE: SEE MARKING CODE TABLE ON THE FOLLOWING PAGE

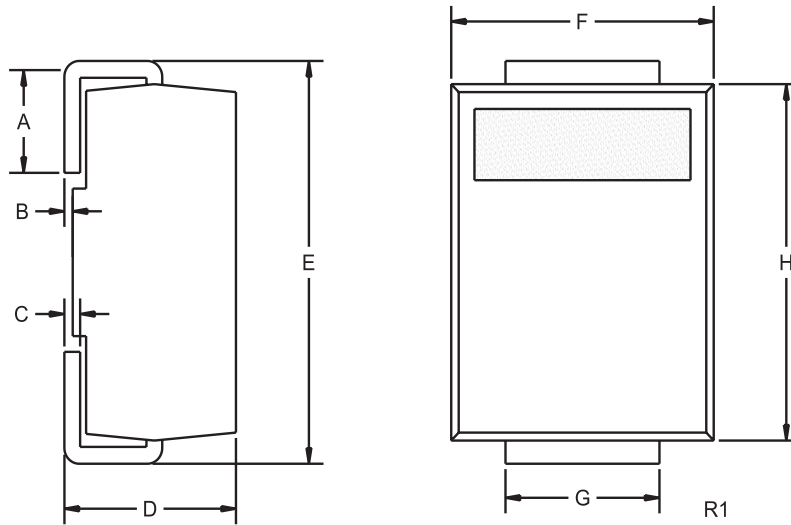
MAXIMUM RATINGS: (T_A=25°C unless otherwise noted)

	SYMBOL	CMR1U <u>-01</u>	CMR1U <u>-02</u>	CMR1U <u>-04</u>	CMR1U <u>-06</u>	CMR1U <u>-10</u>	UNITS
Peak Repetitive Reverse Voltage	V _{RRM}	100	200	400	600	1000	V
DC Blocking Voltage	V _R	100	200	400	600	1000	V
RMS Reverse Voltage	V _{R(RMS)}	70	140	280	420	700	V
Average Forward Current (T _A =75°C)	I _O			1.0			A
Peak Forward Surge Current(8.3ms)	I _{FSM}			3.0			A
Operating and Storage Junction Temperature	T _J , T _{stg}			-65 to +175			°C
Thermal Resistance	θ _{JL}			20			°C/W

ELECTRICAL CHARACTERISTICS: (T_A=25°C) unless otherwise noted)

SYMBOL	TEST CONDITIONS	MIN	MAX	UNITS
I _R	V _R =Rated V _{RRM}		5.0	μA
I _R	V _R =Rated V _{RRM} , T _A =125°C		100	μA
V _F	I _F =1.0A, (CMR1U-01, CMR1U-02)		1.0	V
V _F	I _F =1.0A, (CMR1U-04)		1.25	V
V _F	I _F =1.0A, (CMR1U-06)		1.40	V
V _F	I _F =1.0A, (CMR1U-10)		1.70	V
t _{rr}	I _F =0.5A, I _R =1.0A, Recover to 0.25A (CMR1U-01, -02, -04)		50	ns
t _{rr}	I _F =0.5A, I _R =1.0A, Recover to 0.25A (CMR1U-06, -10)		100	ns

SMB CASE - MECHANICAL OUTLINE



MARKING CODES:

DEVICE	MARKING CODE
CMR1U-01	CU01
CMR1U-02	CU02
CMR1U-04	CU04
CMR1U-06	CU06
CMR1U-10	CU10

SYMBOL	DIMENSIONS		MILLIMETERS	
	MIN	MAX	MIN	MAX
A	0.030	0.060	0.76	1.52
B	0.004	0.008	0.10	0.20
C	0.006	0.012	0.15	0.30
D	0.086	0.096	2.18	2.44
E	0.200	0.220	5.08	5.59
F	0.130	0.150	3.30	3.81
G	0.077	0.083	1.96	2.11
H	0.160	0.180	4.06	4.57

SMB (REV: R1)



LittleDiode supplies new, hard to find or obsolete electronic components and semiconductors all over the world.

With over two million different components listed you are sure to find the part you need.

Feel free to visit us today at our online store:

LittleDiode.com

Looking forward to providing you with the best possible service.