

NEW

CMSH3-20M
CMSH3-40M
CMSH3-60M
CMSH3-100M

HIGH DENSITY
SCHOTTKY BARRIER RECTIFIER
3.0 AMP, 20 THRU 100 VOLTS

HIGH DENSITY
SCHOTTKY



SMB CASE

CentralTM

Semiconductor Corp.

FEATURES:

- HIGH CURRENT CAPABILITY
- FLAMMABILITY CLASSIFICATION UL94V-0
- HIGH DENSITY, SUPER MINI DEVICE
- SUPERIOR LOT TO LOT CONSISTENCY
- LOW COST
- "C" BEND CONSTRUCTION PROVIDES STRAIN RELIEF WHEN MOUNTED ON PC BOARD
- HIGH RELIABILITY

DESCRIPTION:

The CENTRAL SEMICONDUCTOR 3.0 Amp Surface Mount Silicon Schottky Rectifier is a high quality, well constructed, highly reliable component designed for use in all types of commercial, industrial, entertainment, computer, and automotive applications. To order devices on 12mm Tape and Reel (3000/13" Reel), add TR13 suffix to part number.

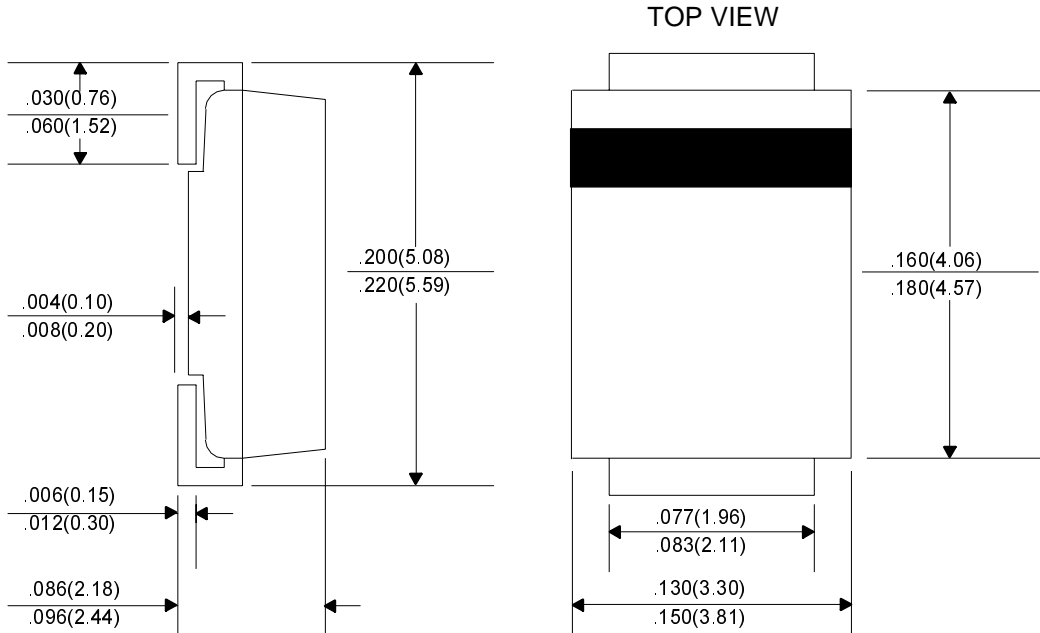
MAXIMUM RATINGS: ($T_A=25^{\circ}\text{C}$ unless otherwise noted)

CMSH3	SYMBOL	CMSH3				UNITS
		-20M	-40M	-60M	-100M	
Peak Repetitive Reverse Voltage	V_{RRM}	20	40	60	100	V
DC Blocking Voltage	V_R	20	40	60	100	V
RMS Reverse Voltage	$V_R(\text{RMS})$	14	28	42	71	V
Average Forward Current ($T_L=75^{\circ}\text{C}$)	I_O			3.0		A
Peak Forward Surge Current (8.3ms)	I_{FSM}			80		A
Operating and Storage						
Junction Temperature	T_J, T_{stg}		-65 to +150			$^{\circ}\text{C}$
Thermal Resistance	θ_{JL}		20			$^{\circ}\text{C}/\text{W}$

ELECTRICAL CHARACTERISTICS: ($T_A=25^{\circ}\text{C}$ unless otherwise noted)

SYMBOL	TEST CONDITIONS	MIN	TYP	MAX	UNITS
I_R	$V_R=\text{Rated } V_{RRM}$			500	μA
I_R	$V_R=\text{Rated } V_{RRM}, T_A=100^{\circ}\text{C}$			20	mA
V_F	$I_F=3.0\text{A}$ (CMSH3-20M AND CMSH3-40M)			0.55	V
V_F	$I_F=3.0\text{A}$ (CMSH3-60M)			0.75	V
V_F	$I_F=3.0\text{A}$ (CMSH3-100M)			0.85	V
C_J	$V_R=4.0\text{V}, f=1.0\text{MHz}$		280		pF

All Dimensions in Inches (mm).



Marking Codes:

DEVICE	MARKING CODE
CMSH3-20M	CS320M
CMSH3-40M	CS340M
CMSH3-60M	CS360M
CMSH3-100M	CS3100M



LittleDiode supplies new, hard to find or obsolete electronic components and semiconductors all over the world.

With over two million different components listed you are sure to find the part you need.

Feel free to visit us today at our online store:

LittleDiode.com

Looking forward to providing you with the best possible service.