



**CMSH1-20M
CMSH1-40M
CMSH1-60M**

**SCHOTTKY BARRIER RECTIFIER
1.0 AMP, 20 THRU 60 VOLTS**

**SUPER
mini**



SMA CASE

Central™
Semiconductor Corp.

FEATURES:

- SUPER MINIATURE CASE
- SUPERIOR LOT TO LOT CONSISTENCY
- LOW COST
- "C" BEND CONSTRUCTION PROVIDES STRAIN RELIEF WHEN MOUNTED ON PC BOARD
- HIGH RELIABILITY
- SPECIAL SELECTIONS AVAILABLE

DESCRIPTION:

The CENTRAL SEMICONDUCTOR 1.0 Amp Surface Mount Silicon Schottky Rectifier is a high quality, well constructed, highly reliable component designed for use in all types of commercial, industrial, entertainment, computer, and automotive applications where small size is required. The SMA case occupies 30% less board space than the SMB case. To order devices on 12mm Tape and Reel (5000/13" Reel), add TR13 suffix to part number.

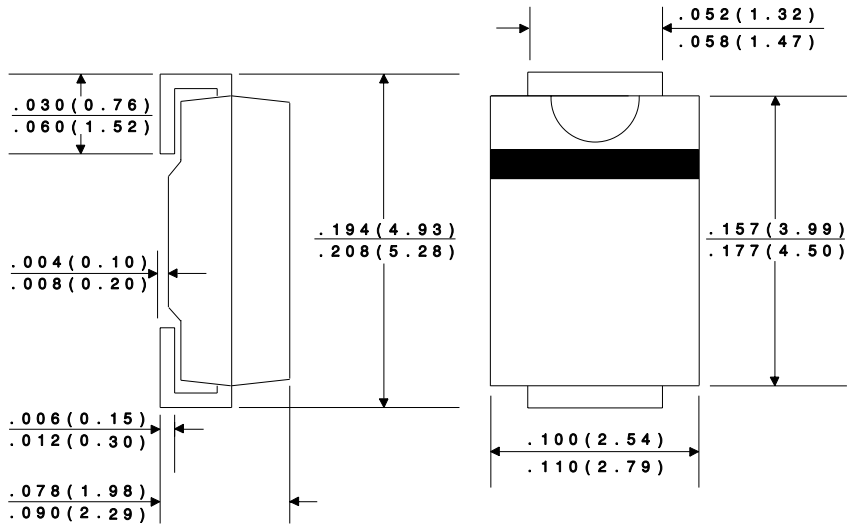
MAXIMUM RATINGS: ($T_A=25^{\circ}\text{C}$ unless otherwise noted)

	SYMBOL	CMSH1-20M	CMSH1-40M	CMSH1-60M	UNITS
Peak Repetitive Reverse Voltage	V_{RRM}	20	40	60	V
DC Blocking Voltage	V_R	20	40	60	V
RMS Reverse Voltage	$V_{R(RMS)}$	14	28	42	V
Average Forward Current($T_L=75^{\circ}\text{C}$)	I_O	1.0	1.0		A
Average Forward Current($T_L=100^{\circ}\text{C}$)	I_O			1.0	A
Peak Forward Surge Current (8.3ms)	I_{FSM}	30	30	30	A
Operating and Storage					
Junction Temperature	T_J, T_{stg}		-65 to +150		$^{\circ}\text{C}$
Thermal Resistance	Θ_{JL}	30	30	30	$^{\circ}\text{C/W}$

ELECTRICAL CHARACTERISTICS: ($T_A=25^{\circ}\text{C}$ unless otherwise noted)

SYMBOL	TEST CONDITIONS	MIN	TYP	MAX	UNITS
V_F	$I_F=1.0\text{A}$ (CMSH1-20M AND CMSH1-40M)			0.50	V
V_F	$I_F=1.0\text{A}$ (CMSH1-60M)			0.70	V
I_R	$V_R=\text{Rated } V_{RRM}$			0.50	mA
I_R	$V_R=\text{Rated } V_{RRM}, T_A=100^{\circ}\text{C}$			10	mA
C_J	$V_R=4.0\text{V}, f=1.0\text{MHz}$, (CMSH1-20M AND CMSH1-40M)	100			pF
C_J	$V_R=4.0\text{V}, f=1.0\text{MHz}$, (CMSH1-60M)		80		pF

All dimensions in inches (mm).



DEVICE	MARKING CODE
CMSH1-20M	CS20M
CMSH1-40M	CS40M
CMSH1-60M	CS60M



LittleDiode supplies new, hard to find or obsolete electronic components and semiconductors all over the world.

With over two million different components listed you are sure to find the part you need.

Feel free to visit us today at our online store:

LittleDiode.com

Looking forward to providing you with the best possible service.