

CMSH3-20MA  
 CMSH3-40MA  
 CMSH3-60MA  
 CMSH3-100MA

**SURFACE MOUNT  
 SCHOTTKY BARRIER SILICON  
 RECTIFIER  
 3.0 AMP, 20 THRU 100 VOLTS**

**HIGH DENSITY™  
 SCHOTTKY**

**SUPERmini™**



**SMA CASE**

# Central™ Semiconductor Corp.

## FEATURES:

- HIGH CURRENT CAPABILITY
- FLAMMABILITY CLASSIFICATION UL94V-0
- HIGH DENSITY, SUPERmini™ DEVICE
- SUPERIOR LOT TO LOT CONSISTENCY
- LOW COST
- "C" BEND CONSTRUCTION PROVIDES STRAIN RELIEF WHEN MOUNTED ON PC BOARD
- HIGH RELIABILITY

## DESCRIPTION:

The CENTRAL SEMICONDUCTOR 3.0 Amp Surface Mount Silicon Schottky Rectifier is a high quality, well constructed, highly reliable component designed for use in all types of commercial, industrial, entertainment, computer, and automotive applications. To order devices on 12mm Tape and Reel (5000/13" Reel), add TR13 suffix to part number.

## MARKING CODE: SEE MARKING CODE TABLE ON FOLLOWING PAGE

**MAXIMUM RATINGS:** ( $T_A=25^\circ\text{C}$  unless otherwise noted)

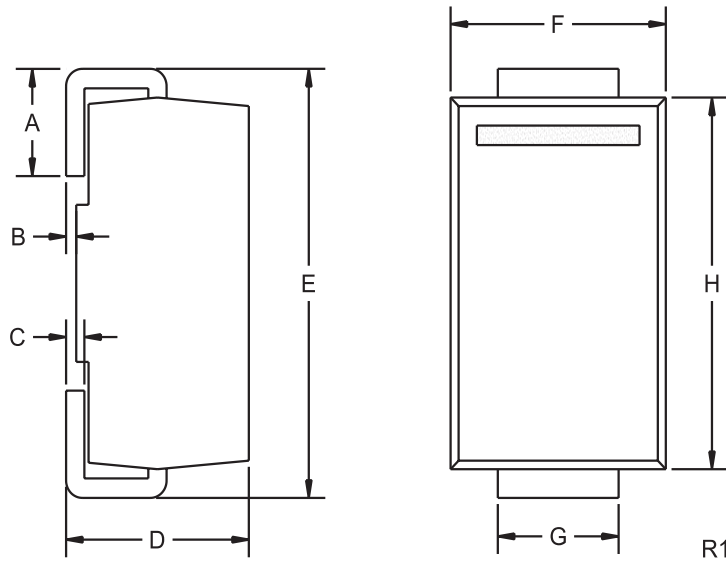
	SYMBOL	CMSH3 -20MA	CMSH3 -40MA	CMSH3 -60MA	CMSH3 -100MA	UNITS
Peak Repetitive Reverse Voltage	$V_{RRM}$	20	40	60	100	V
DC Blocking Voltage	$V_R$	20	40	60	100	V
RMS Reverse Voltage	$V_{R(RMS)}$	14	28	42	71	V
Average Forward Current ( $T_L=75^\circ\text{C}$ )	$I_O$			3.0		A
Peak Forward Surge Current (8.3ms)	$I_{FSM}$			80		A
Operating and Storage						
Junction Temperature	$T_J, T_{stg}$			-65 to +150		$^\circ\text{C}$
Thermal Resistance	$\theta_{JL}$			30		$^\circ\text{C/W}$

**ELECTRICAL CHARACTERISTICS:** ( $T_A=25^\circ\text{C}$  unless otherwise noted)

SYMBOL	TEST CONDITIONS	MIN	TYP	MAX	UNITS
$I_R$	$V_R=Rated$ $V_{RRM}$			500	$\mu\text{A}$
$I_R$	$V_R=Rated$ $V_{RRM}$ , $T_A=100^\circ\text{C}$			20	mA
$V_F$	$I_F=3.0\text{A}$ (CMSH3-20MA and CMSH3-40MA)			0.50	V
$V_F$	$I_F=3.0\text{A}$ (CMSH3-60MA)			0.70	V
$V_F$	$I_F=3.0\text{A}$ (CMSH3-100MA)			0.85	V
$C_J$	$V_R=4.0\text{V}$ , $f=1.0\text{MHz}$		280		pF

R1 (14-November 2002)

**SMA CASE - MECHANICAL OUTLINE**



**MARKING CODES:**

DEVICE	MARKING CODE
CMSH3-20MA	CS320MA
CMSH3-40MA	CS340MA
CMSH3-60MA	CS360MA
CMSH3-100MA	CS3100MA

SYMBOL	INCHES		MILLIMETERS	
	MIN	MAX	MIN	MAX
A	0.030	0.060	0.76	1.52
B	0.004	0.008	0.10	0.20
C	0.006	0.012	0.15	0.30
D	0.078	0.103	1.98	2.62
E	0.188	0.220	4.78	5.59
F	0.090	0.115	2.29	2.92
G	0.050	0.070	1.27	1.78
H	0.157	0.181	3.99	4.60

SMA (REV: R1)

R1 (14-November 2002)



LittleDiode supplies new, hard to find or obsolete electronic components and semiconductors all over the world.

With over two million different components listed you are sure to find the part you need.

Feel free to visit us today at our online store:

[LittleDiode.com](http://LittleDiode.com)

Looking forward to providing you with the best possible service.