

Comlinear CLC522 Wideband Variable-Gain Amplifier

General Description

The CLC522 variable gain amplifier (VGA) is a dc-coupled, two-quadrant multiplier with differential voltage inputs and a single-ended voltage output. Two input buffers and an output operational amplifier are integrated with the multiplier core to make the CLC522 a complete VGA system that does not require external buffering.

The CLC522 provides the flexibility of externally setting the maximum gain with only two external resistors. Greater than 40dB gain control is easily achieved through a single high impedance voltage input. The CLC522 provides a linear (in Volts per Volt) relationship between the amplifier's gain and the gain-control input voltage.

The CLC522's maximum gain may be set anywhere over a nominal range of 2V/V to 100V/V. The gain control input then provides attenuation from the maximum setting. For example, set for a maximum gain of 100V/V, the CLC522 will provide a 100V/V to 1V/V gain control range by sweeping the gain control input voltage from +1 to -0.98V.

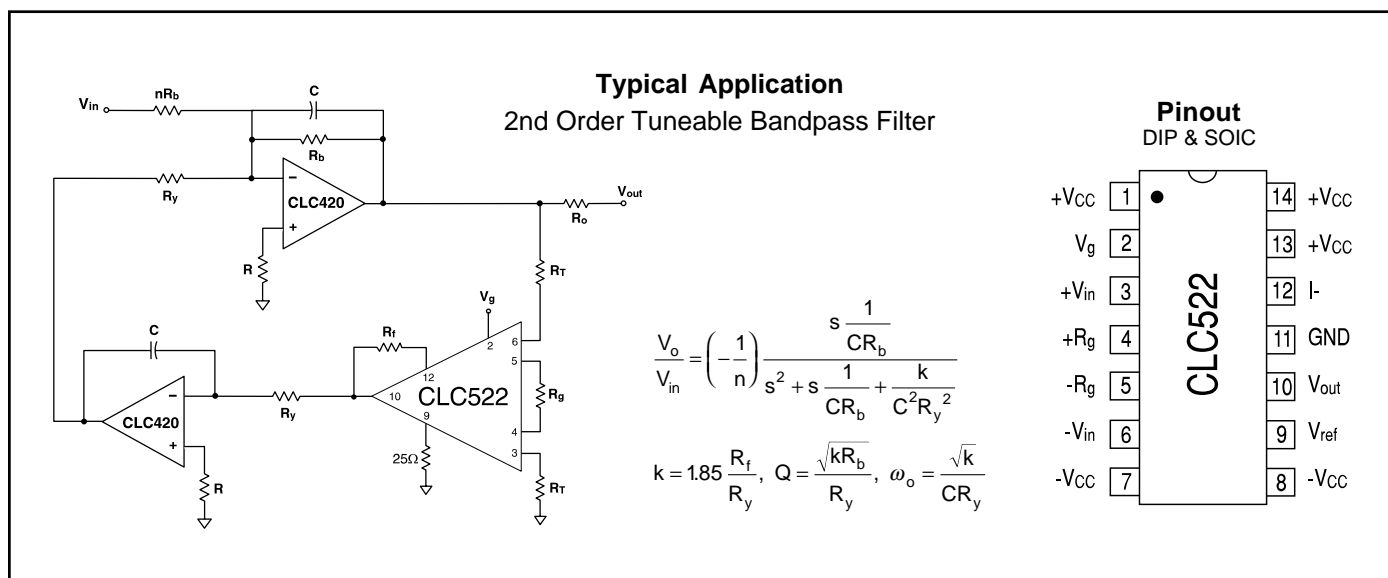
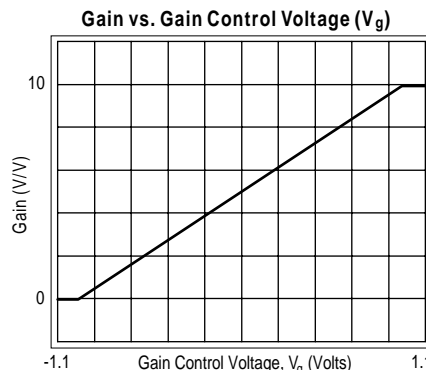
Set at a maximum gain of 10V/V, the CLC522 provides a 165MHz signal channel bandwidth and a 165MHz gain control bandwidth. Gain nonlinearity over a 40dB gain range is 0.5% and gain accuracy at $A_{V_{max}} = 10V/V$ is typically $\pm 0.3\%$.

Features

- 330MHz signal bandwidth: $A_{V_{max}} = 2$
- 165MHz gain-control bandwidth
- 0.3° to 60MHz linear phase deviation
- 0.04% (-68dB) signal-channel non-linearity
- >40dB gain-adjustment range
- Differential or single-end voltage inputs
- Single-ended voltage output

Applications

- Variable attenuators
- Pulse amplitude equalizers
- HF modulators
- Automatic gain control & leveling loops
- Video production switching
- Differential line receivers
- Voltage controlled filters



CLC522 Electrical Characteristics ($V_{CC} = \pm 5V$; $A_{Vmax} = +10$; $R_f = 1k\Omega$; $R_g = 182\Omega$; $R_L = 100\Omega$; $V_g = +1.1V$)

PARAMETERS		CONDITIONS	TYP	MIN/MAX RATINGS			UNITS	NOTES
Ambient Temperature		AJE,AJP	+25	+25	0 to +70	-40 to +85	°C	1
FREQUENCY DOMAIN RESPONSE								
-3dB bandwidth		$V_{out} < 0.5V_{pp}$	165	120	115	110	MHz	3
		$V_{out} < 5.0V_{pp}$	150	100	95	90	MHz	
gain control bandwidth		$V_{out} < 0.5V_{pp}$	165	120	115	110	MHz	4
gain flatness		$V_{out} < 0.5V_{pp}$						
peaking		DC to 30MHz	0	0.1	0.1	0.1	dB	3
rolloff		DC to 30MHz	0.05	0.25	0.25	0.4	dB	3
linear phase deviation		DC to 60MHz	0.3	1.0	1.1	1.2	°	
feedthrough		30MHz	-62	-57	-57	-57	dB	3,5
TIME DOMAIN RESPONSE								
rise and fall time		0.5V step	2.2	2.9	3.0	3.2	ns	
		5.0V step	3.0	5.0	5.0	5.0	ns	
settling time		2.0V step to 0.1%	12	18	18	18	ns	
overshoot		0.5V step	2	15	15	15	%	
slew rate		4.0V step	2000	1400	1400	1400	V/ μ s	
DISTORTION AND NOISE RESPONSE								
2 nd harmonic distortion		2V _{pp} , 20MHz	-50	-44	-44	-44	dBc	3
3 rd harmonic distortion		2V _{pp} , 20MHz	-65	-58	-56	-54	dBc	3
equivalent input noise		1 to 200MHz	5.8	6.2	6.5	6.8	nV/ \sqrt{Hz}	
noise floor		1 to 200MHz	-152	-150	-149	-149	dBm _{1Hz}	
GAIN ACCURACY								
signal channel nonlinearity (SGNL)		$V_{out} = \pm 2V_{pp}$	0.04	0.1	0.1	0.1	%	2
gain control nonlinearity (GCNL)		full range	0.5	2.0	2.2	3.0	%	2
gain error (GACCU)		$A_{Vmax} = +10$	± 0.0	± 0.5	± 0.5	± 1.0	dB	2
V_g high			+990	+990 \pm 60	+990 \pm 60	+990 \pm 60	mV	
low			-975	-975 \pm 80	-975 \pm 80	-975 \pm 80	mV	
STATIC DC PERFORMANCE								
V_{in}	voltage range	common mode	± 2.2	± 1.2	± 1.2	± 1.4	V	2
	bias current		9	21	26	45	μ A	
	average drift		65	---	175	275	nA/°C	
	offset current		0.2	2.0	3.0	4.0	μ A	
	average drift		5	---	30	40	nA/°C	
	resistance		1500	650	450	175	k Ω	
V_g	capacitance		1.0	2.0	2.0	2.0	pF	
	bias current		15	38	47	82	μ A	
	average drift		125	---	300	600	nA/°C	
	resistance		100	38	30	15	k Ω	
	capacitance		1.0	2.0	2.0	2.0	pF	
output	voltage range	$R_L = \infty$	± 4.0	± 3.7	± 3.6	± 3.5	V	2
	current		± 70	± 47	± 40	± 25	mA	
	offset voltage	$A_{Vmax} = +10$	25	85	95	120	mV	
	average drift		100	---	350	400	μ V/°C	
	resistance		0.1	0.2	0.3	0.6	Ω	
I_{Rgmax}			1.8	1.37	1.26	1.15	mA	
power supply sensitivity	output referred		10	40	40	40	mV/V	3
common-mode rejection ratio	input referred		70	59	59	59	dB	
supply current	$R_L = \infty$		46	61	62	63	mA	2

Min/max ratings are based on product characterization and simulation. Individual parameters are tested as noted. Outgoing quality levels are determined from tested parameters.

Absolute Maximum Ratings

supply voltage	$\pm 7V$
short circuit current	96mA
common-mode input voltage	$\pm V_{CC}$
maximum junction temperature	+200°C
storage temperature	-65°C to +150°C
lead temperature (soldering 10 sec)	+300°C

Notes

- 1) AJE (SOIC) is tested/guaranteed with $R_f = 866\Omega$ and $R_g = 165\Omega$.
- 2) J-level, spec is 100% tested at +25°C, sample tested at +85°C.
L-level, spec is 100% wafer probed at 25°C.
- 3) J-level, spec is sample tested at 25°C.
- 4) Tested with $V_{in} = 0.2V$ and $V_g < 0.5V_{pp}$.
- 5) Feedthrough is tested at maximum attenuation (i.e. $V_g = -1.1V$)

<http://www.national.com>

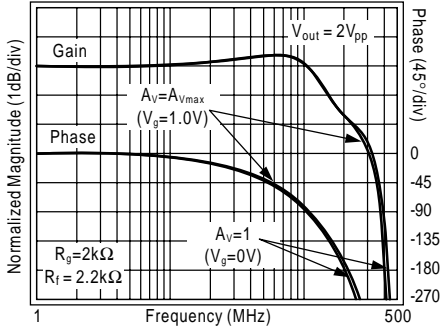
Ordering Information

Model	Temperature Range	Description
CLC522AJP	-40°C to +85°C	14-pin PDIP
CLC522AJE	-40°C to +85°C	14-pin SOIC
CLC522ALC	-40°C to +85°C	dice
CLC522A8D	-55°C to +125°C	14-pin CerDIP, MIL-STD-883
CLC522AMC	-55°C to +125°C	dice, MIL-STD-883
CLC522A8L-2	-55°C to +125°C	20pin LCC, MIL-STD-883

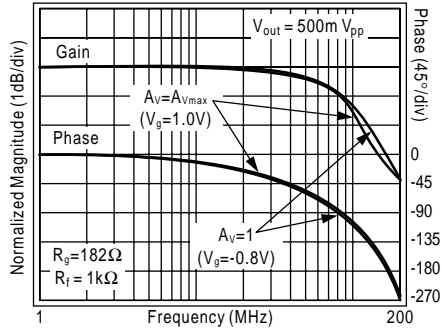
DESC SMD number: 5962-93259

CLC522 Typical Performance ($T_A=+25^\circ\text{C}$, $V_{CC}=\pm 5\text{V}$, $A_{Vmax}=+10$, $V_g=1.1\text{V}$, $R_L=100\Omega$; unless noted)

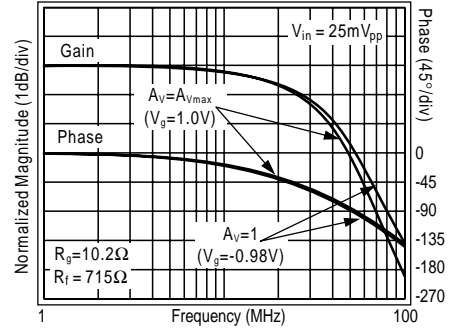
Frequency Response ($A_{Vmax}=2$)



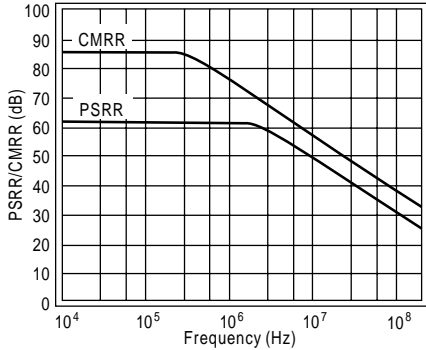
Frequency Response ($A_{Vmax}=10$)



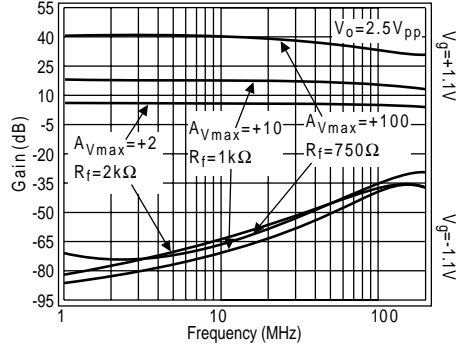
Frequency Response ($A_{Vmax}=100$)



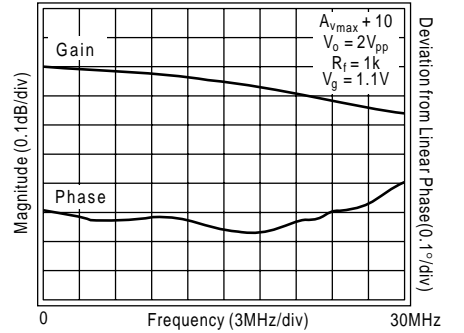
PSRR and CMRR (Input Referred)



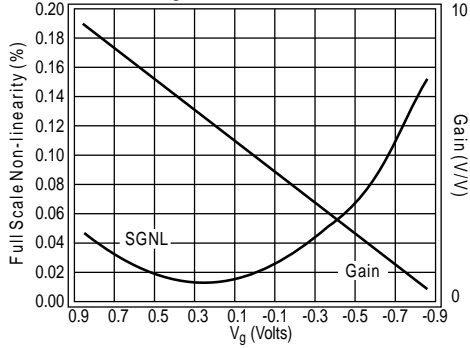
Feed-through Isolation



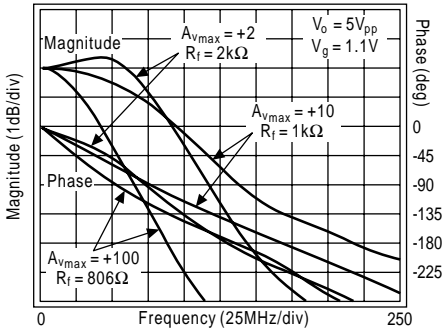
Gain Flatness & Linear Phase Deviation



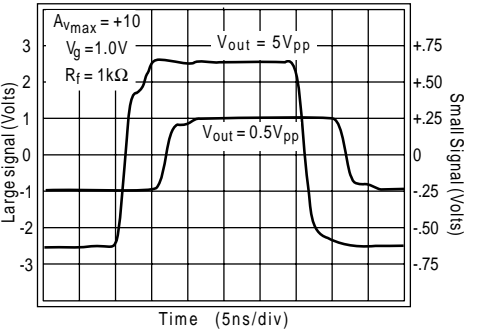
SGNL vs. V_g , Gain



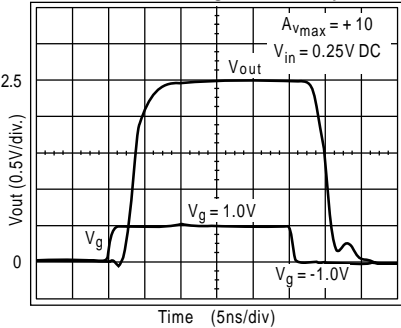
Large Signal Frequency Response



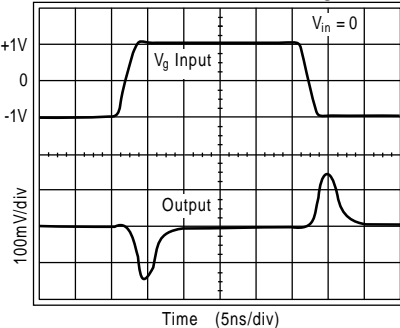
Large & Small Signal Pulse Response



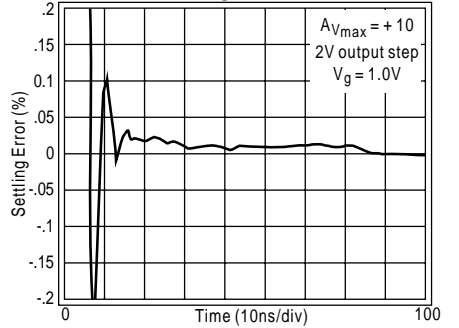
Gain Control Settling Time & Delay



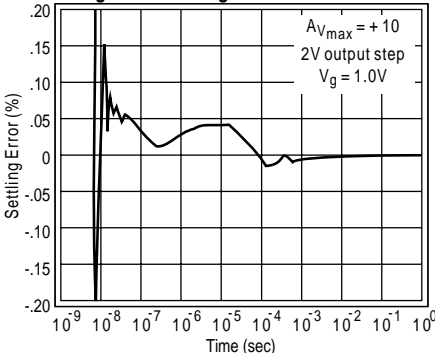
Gain Control Channel Feedthrough



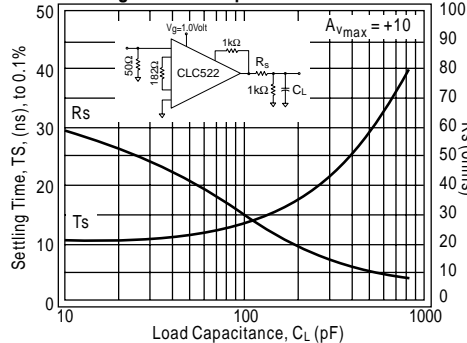
Short Term Settling Time



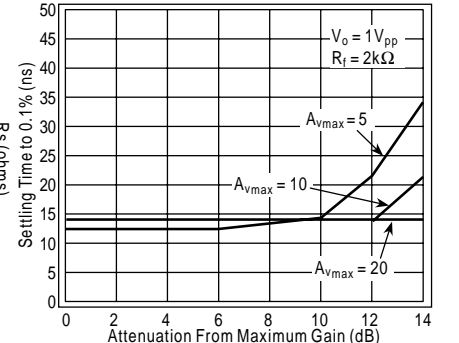
Long Term Settling Time



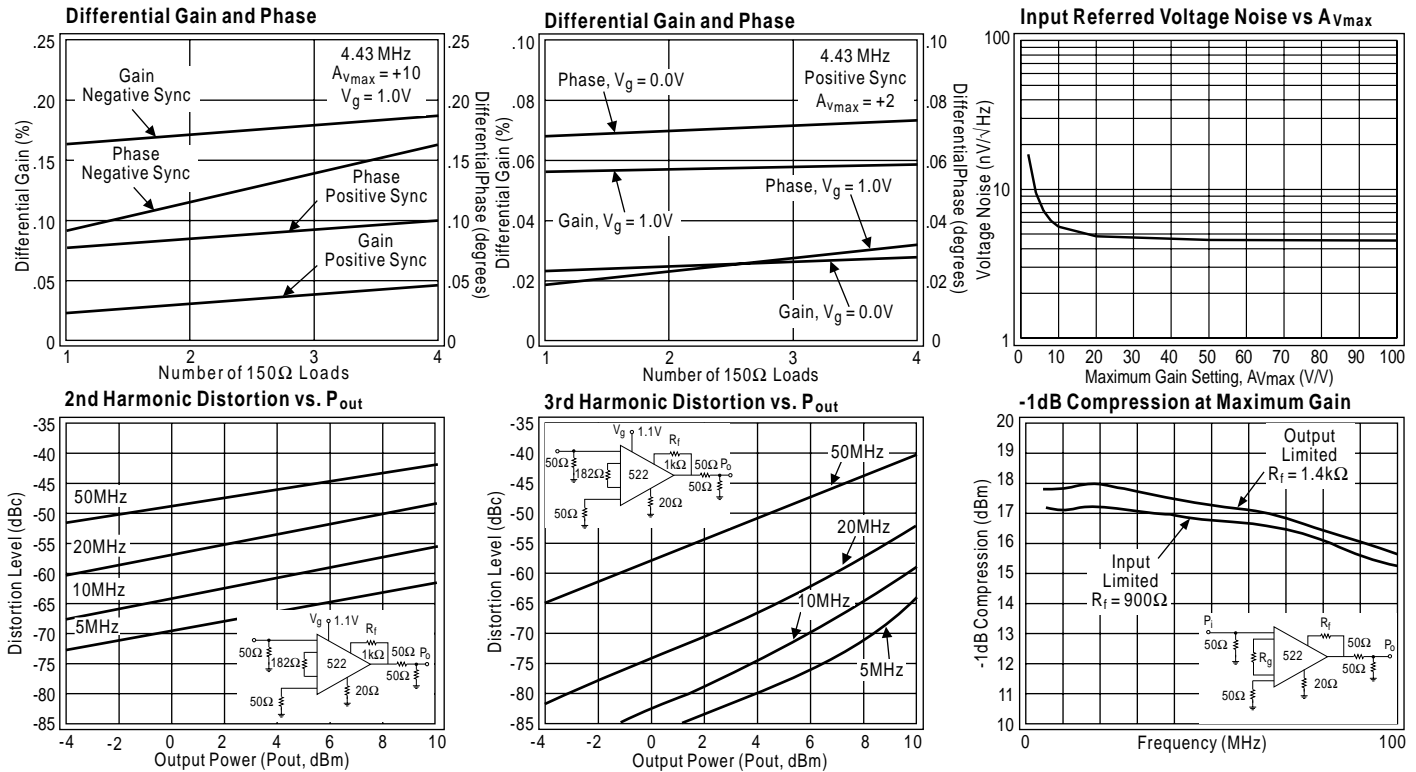
Settling Time vs. Capacitive Load



Settling Time vs. Gain



CLC522 Typical Performance ($T_A=+25^\circ\text{C}$, $V_{CC}=\pm 5\text{V}$, $A_V=+10$, $V_G=1.1\text{V}$, $R_L=100\Omega$; unless noted)



Application Discussion

Theory of Operation

The CLC522 is a linear wideband variable-gain amplifier as illustrated in Fig 1. A voltage input signal may be applied differentially between the two inputs ($+V_{in}$, $-V_{in}$), or single-endedly by grounding one of the unused inputs.

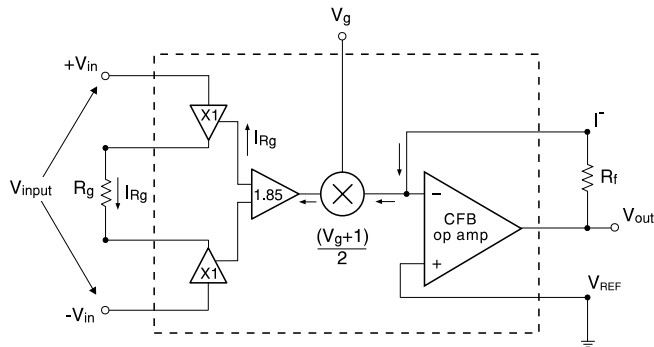


Fig. 1

The CLC522 input buffers convert the input voltage to a current (I_{Rg}) that is a function of the differential input voltage ($V_{input} = +V_{in} - -V_{in}$) and the value of the gain-setting resistor (R_g). This current (I_{Rg}) is then mirrored to a gain stage with a current gain of 1.85. The voltage-controlled two-quadrant multiplier attenuates this current which is then converted to a voltage via the output amplifier. This output amplifier is a current-feedback op amp configured as a transimpedance amplifier. Its transimpedance gain is the feedback resistor (R_f). The input signal, output, and gain control are all voltages. The output voltage can easily be calculated as seen in Eq. 1.

$$V_{out} = I_{R_g} * 1.85 * \left(\frac{V_g + 1}{2} \right) * R_f \quad \text{Eq. 1}$$

$$\text{since } I_{R_g} = \frac{V_{input}}{R_g}$$

$$A_V = 1.85 * \frac{R_f}{R_g} * \left(\frac{V_g + 1}{2} \right) \quad \text{Eq. 2}$$

The gain of the CLC522 is therefore a function of three external variables; R_g , R_f and V_G as expressed in Eq. 2. The gain-control voltage (V_G) has an ideal input range of $-1\text{V} \leq V_G \leq +1\text{V}$. At $V_G = +1\text{V}$, the gain of the CLC522 is at its maximum as expressed in Eq. 3.

$$A_{V_{max}} = 1.85 \frac{R_f}{R_g} \quad \text{Eq. 3}$$

Notice also that Eq. 3 holds for both differential and single-ended operation.

Choosing R_f and R_g

R_g is calculated from Eq.4. $V_{input_{max}}$ is the maximum peak

$$R_g = \frac{V_{input_{max}}}{I_{R_{g_{max}}}} \quad \text{Eq. 4}$$

input voltage (V_{pk}) determined by the application. $I_{R_{g_{max}}}$ is the maximum allowable current through R_g and is typically 1.8mA. Once $A_{V_{max}}$ is determined from the minimum input and desired output voltages, R_f is then determined using Eq. 5. These values of R_f and R_g are

$$R_f = \frac{1}{1.85} * R_g * A_{V_{max}} \quad \text{Eq. 5}$$

the minimum possible values that meet the input voltage and maximum gain constraints. Scaling the resistor values will decrease bandwidth and improve stability.

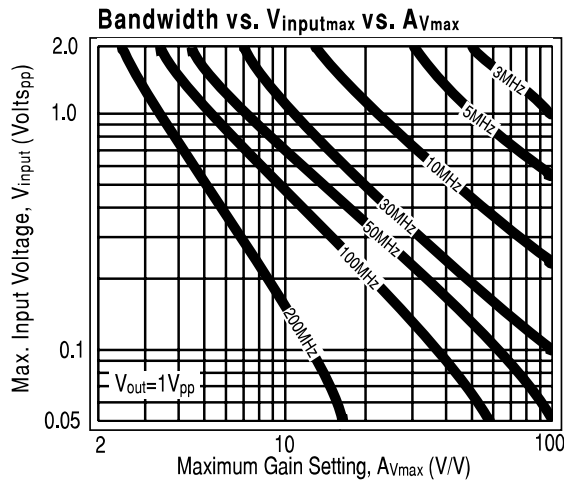


Fig. 2

Fig. 2 illustrates the resulting CLC522 bandwidths as a function of the maximum and minimum input voltages when V_{out} is held constant at $1V_{pp}$.

Adjusting Offsets

Treating the offsets introduced by the input and output stages of the CLC522 is easily accomplished with a two step process. The offset voltage of the output stage is treated by first applying $-1.1V$ on V_g , which effectively

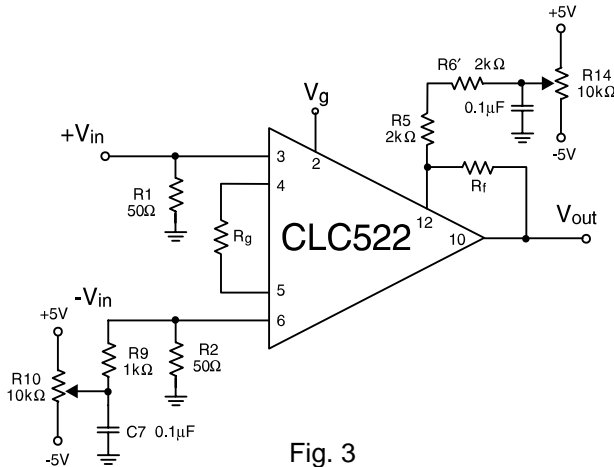


Fig. 3

isolates the input stage and multiplier core from the output stage. As illustrated in Fig. 3, the trim pot located at R14 on the CLC522 Evaluation Board should then be adjusted in order to null the offset voltage seen at the CLC522's output (pin 10). Once this is accomplished, the offset errors introduced by the input stage and multiplier core can then be treated. The second step requires the absence of an input signal and matched source impedances on the two input pins in order to cancel the bias current errors. This done then $+1.1V$ should be applied to V_g and the trim pot located at R10 adjusted in order to null the offset voltage seen at the CLC522's output. If a more limited gain range is anticipated, the above adjustments should be made at these operating points.

Gain Errors

The CLC522's gain equation as theoretically expressed in Eq. 2 must include the device's error terms in order to yield the actual gain equation. Each of the gain error

terms are specified in the Electrical Characteristics table and are defined below and illustrated in Fig. 4.

$GACCU$: error of A_{Vmax} , expressed as $\pm dB$.

$GCNL$: deviation from theoretical expressed as $\pm\%$.

$V_{g_{high}}$: voltage on V_g producing A_{Vmax} .

$V_{g_{low}}$: voltage on V_g producing $A_{Vmin} = 0V/V$.

$\Delta V_{g_{high}}, \Delta V_{g_{low}}$: error of $V_{g_{high}}, V_{g_{low}}$ expressed as $\pm mV$.

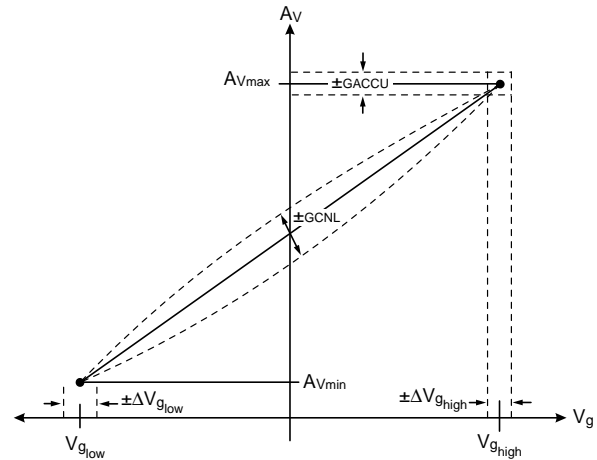


Fig. 4

Combining these error terms with Eq. 2 gives the "gain envelope" equation and is expressed in Eq. 7. From the Electrical Characteristics table, the nominal endpoint values of V_g are: $V_{g_{high}} = +990mV$ and $V_{g_{low}} = -975mV$.

$$A_V = A_{Vmax} \left(\frac{10^{\frac{\pm GACCU}{20}} (V_g - V_{g_{low}} \pm \Delta V_{g_{low}})}{(V_{g_{high}} \pm \Delta V_{g_{high}} - V_{g_{low}} \pm \Delta V_{g_{low}})} \pm (1 - V_g^2) GCNL \right) \quad \text{Eq. 7}$$

Signal-Channel Nonlinearity

Signal-channel nonlinearity, $SGNL$, also known as integral endpoint linearity, measures the non-linearity of an amplifier's voltage transfer function. The CLC522's $SGNL$, as it is specified in the Electrical Characteristics table, is measured while the gain is set at its maximum (i.e. $V_g = +1.1V$). The Typical Performance Characteristics plot labeled "SGNL & Gain vs V_g " illustrates the CLC522's $SGNL$ as V_g is swept through its full range. As can be seen in this plot, when the gain is reduced from A_{Vmax} , $SGNL$ improves to $< 0.02\%$ ($-74dB$) at $V_g = 0$ and then degrades somewhat at the lowest gains.

Noise

Fig. 5 describes the CLC522's input-referred spot noise density as a function of A_{Vmax} . The plot includes all the noise contributing terms. At $A_{Vmax} = 10V/V$, the CLC522 has a typical input-referred spot noise density (e_{ni}) of $5.8nV/\sqrt{Hz}$. The input RMS voltage noise can be determined from the following single-pole model:

$$V_{RMS} = e_{in} * \sqrt{1.57 * (-3dB \text{ bandwidth})} \quad \text{Eq. 8}$$

Further discussion and plots of noise and the noise model is provided in Application Note OA-23. Comlinear also provides SPICE models that model internal noise and other parameters for a typical part.

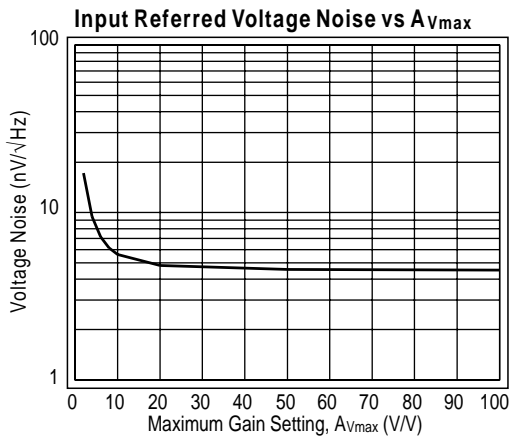


Fig. 5

Circuit Layout Considerations

Please refer to the CLC522 Evaluation Board Literature for precise layout guidelines. Good high-frequency operation requires all of the de-coupling capacitors shown in Fig. 6 to be placed as close as possible to the power

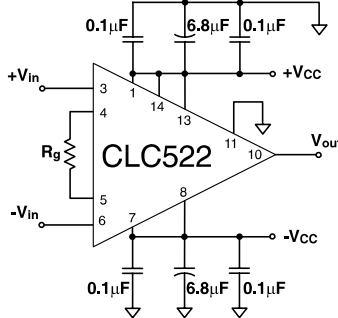


Fig. 6

supply pins in order to insure a proper high-frequency low-impedance bypass. Adequate ground plane and low-inductive power returns are also required of the layout. Minimizing the parasitic capacitances at pins 3, 4, 5, 6, 9,

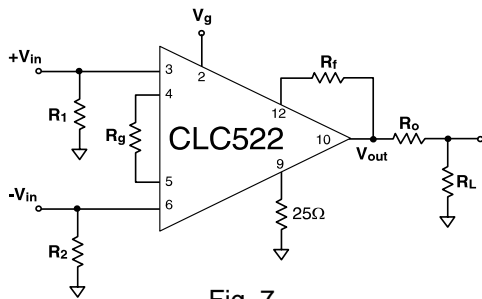


Fig. 7

and 12 as shown in Fig. 7 will assure best high frequency performance. Vref (pin 9) to ground should include a small resistor value of 25 ohms or greater to buffer the internal voltage follower. The parasitic inductance of component leads or traces to pins 4, 5 and 9 should also be kept to a minimum. Parasitic or load capacitance, CL, on the output (pin 10) degrades phase margin and can lead to frequency response peaking or circuit oscillation. This should be treated with a small series resistor between output (pin 10) and CL (see the plot "Settling Time vs. Capacitive Load" for a recommended series resistance).

Component parasitics also influence high frequency results, therefore it is recommended to use metal film resistors such as RN55D or leadless components such as surface mount devices. High profile sockets are not recommended. If socketing is necessary, it is recommended to use low impedance flush mount connector jacks such as Cambion (P/N 450-2598).

Application Circuits

Four-Quadrant Multiplier

Applications requiring multiplication, squaring or other non-linear functions can be implemented with four-quadrant multipliers. The CLC522 implements a four-quadrant multiplier as illustrated in figure 8.

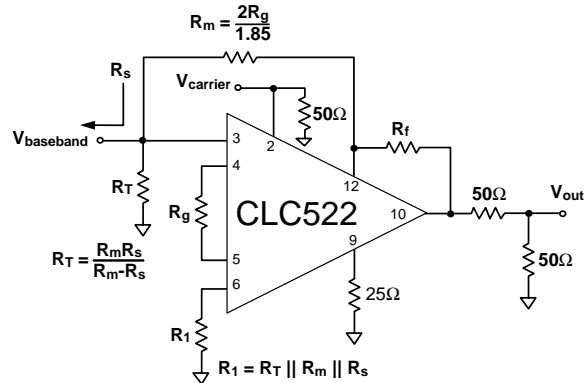


Fig. 8

Frequency Shaping

Frequency shaping and bandwidth extension of the CLC522 can be accomplished using parallel networks connected across the Rg ports. The network shown in the Fig. 9 schematic will effectively extend the CLC522's bandwidth.

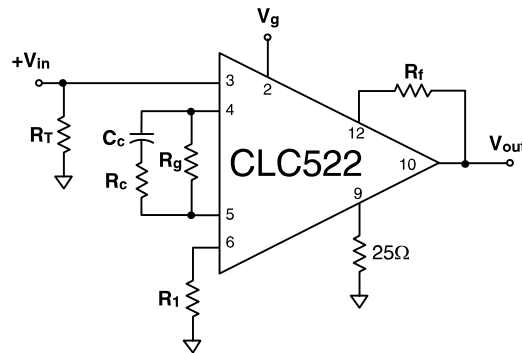


Fig. 9

2nd Order Tuneable Bandpass Filter

The CLC522 Variable-Gain Amplifier placed into feedback loops provide signal processing functions such as 2nd order tuneable bandpass filters. The center frequency of the 2nd order bandpass illustrated on the front page is adjusted through the use of the CLC522's gain-control voltage, Vg. The integrators implemented with two CLC420s, provide the coefficients for the transfer function.

This page intentionally left blank.

Customer Design Applications Support

National Semiconductor is committed to design excellence. For sales, literature and technical support, call the National Semiconductor Customer Response Group at **1-800-272-9959** or fax **1-800-737-7018**.

Life Support Policy

National's products are not authorized for use as critical components in life support devices or systems without the express written approval of the president of National Semiconductor Corporation. As used herein:

1. Life support devices or systems are devices or systems which, a) are intended for surgical implant into the body, or b) support or sustain life, and whose failure to perform, when properly used in accordance with instructions for use provided in the labeling, can be reasonably expected to result in a significant injury to the user.
2. A critical component is any component of a life support device or system whose failure to perform can be reasonably expected to cause the failure of the life support device or system, or to affect its safety or effectiveness.



National Semiconductor Corporation

1111 West Bardin Road
Arlington, TX 76017
Tel: 1(800) 272-9959
Fax: 1(800) 737-7018

National Semiconductor Europe

Fax: (+49) 0-180-530 85 86
E-mail: europe.support.nsc.com
Deutsch Tel: (+49) 0-180-530 85 85
English Tel: (+49) 0-180-532 78 32
Francais Tel: (+49) 0-180-532 93 58
Italiano Tel: (+49) 0-180-534 16 80

National Semiconductor Hong Kong Ltd.

13th Floor, Straight Block
Ocean Centre, 5 Canton Road
Tsimshatsui, Kowloon
Hong Kong
Tel: (852) 2737-1600
Fax: (852) 2736-9960

National Semiconductor Japan Ltd.

Tel: 81-043-299-2309
Fax: 81-043-299-2408

National does not assume any responsibility for use of any circuitry described, no circuit patent licenses are implied and National reserves the right at any time without notice to change said circuitry and specifications.

National Semiconductor was acquired by Texas Instruments.

http://www.ti.com/corp/docs/investor_relations/pr_09_23_2011_national_semiconductor.html

This file is the datasheet for the following electronic components:

CLC522 - <http://www.ti.com/product/clc522?HQS=TI-null-null-dscatalog-df-pf-null-ww>



LittleDiode supplies new, hard to find or obsolete electronic components and semiconductors all over the world.

With over two million different components listed you are sure to find the part you need.

Feel free to visit us today at our online store:

LittleDiode.com

Looking forward to providing you with the best possible service.