

CentralTM Semiconductor Corp.

145 Adams Avenue, Hauppauge, NY 11788 USA
Tel: (631) 435-1110 • Fax: (631) 435-1824

Manufacturers of World Class Discrete Semiconductors

CM5583

PNP HIGH FREQUENCY
SILICON TRANSISTOR

JEDEC TO-39 CASE

DESCRIPTION

The CENTRAL SEMICONDUCTOR CM5583 is a Silicon PNP RF Transistor, mounted in a hermetically sealed package, designed for high frequency amplifier and non-saturated switching applications. This device is a replacement for the 2N5583.

MAXIMUM RATINGS (T_A=25°C)

	<u>SYMBOL</u>		<u>UNITS</u>
Collector-Base Voltage	V _{CB0}	30	V
Collector-Emitter Voltage	V _{CEO}	30	V
Emitter-Base Voltage	V _{EBO}	3.0	V
Collector Current - Continuous	I _C	500	mA
Power Dissipation	P _D	1.0	W
Power Dissipation (T _C =25°C)	P _D	5.0	W
Operating and Storage Junction Temperature	T _J , T _{stg}	-65 to +200	°C

ELECTRICAL CHARACTERISTICS (T_A=25°C unless otherwise noted)

<u>SYMBOL</u>	<u>TEST CONDITIONS</u>	<u>MIN</u>	<u>TYP</u>	<u>MAX</u>	<u>UNITS</u>
I _{CBO}	V _{CB} =20V			50	nA
I _{EBO}	V _{EB} =2.0V			500	nA
BV _{CB0}	I _C =10μA	30			V
BV _{CEO}	I _C =10mA	30			V
BV _{EBO}	I _E =100μA	3.0			V
V _{CE(SAT)}	I _C =100mA, I _B =10mA			0.8	V
V _{BE(ON)}	V _{CE} =2.0V, I _C =100mA			1.8	V
h _{FE}	V _{CE} =2.0V, I _C =40mA	20			
h _{FE}	V _{CE} =2.0V, I _C =100mA	25		100	
h _{FE}	V _{CE} =5.0V, I _C =300mA	15			
f _T	V _{CE} =10V, I _C =40mA, f=100MHz	1000			MHz
f _T	V _{CE} =10V, I _C =100mA, f=100MHz	1300			MHz
C _{cb}	V _{CB} =15V, I _E =0, f=100kHz			5.0	pF
C _{eb}	V _{EB} =0.5V, I _C =0, f=100kHz			70	pF
r _b 'C _c	V _{CB} =10V, I _C =50mA, f=63.6MHz		8.0		ps
*t _d	V _{CC} =31.4V, I _C =150mA, R _C =160Ω, R _E =26.6Ω		2.5		ns
*t _r	V _{CC} =31.4V, I _C =150mA, R _C =160Ω, R _E =26.6Ω		4.5		ns
*t _s	V _{CC} =31.4V, I _C =150mA, R _C =160Ω, R _E =26.6Ω		3.5		ns
*t _f	V _{CC} =31.4V, I _C =150mA, R _C =160Ω, R _E =26.6Ω		5.0		ns

*See Figure 1

(See Reverse Side)

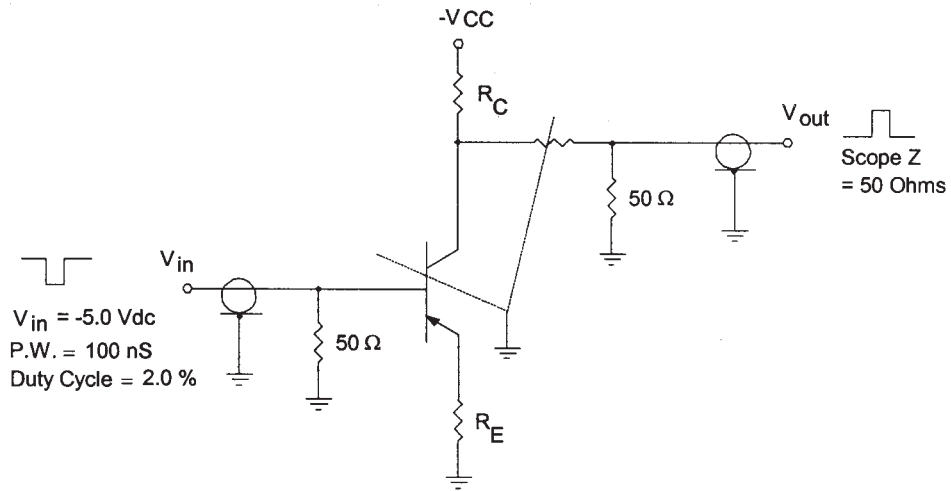
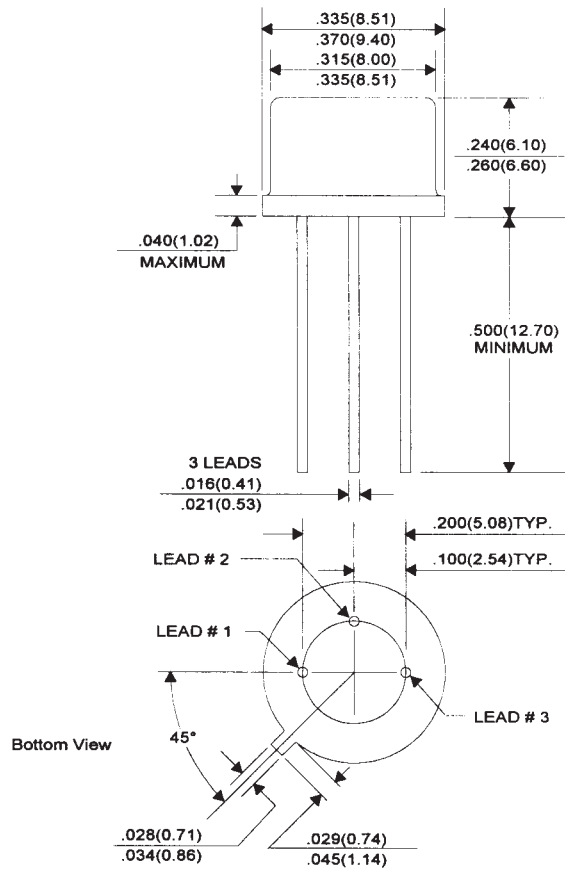


Figure 1. Switching Times Test Circuit

JEDEC TO-39 CASE - MECHANICAL OUTLINE



All Dimensions in Inches (mm).

Lead Code:

- 1) Emitter
- 2) Base
- 3) Collector



LittleDiode supplies new, hard to find or obsolete electronic components and semiconductors all over the world.

With over two million different components listed you are sure to find the part you need.

Feel free to visit us today at our online store:

LittleDiode.com

Looking forward to providing you with the best possible service.