

DATA SHEET

CR2427S

Video driver hybrid amplifier

Product specification
File under Discrete Semiconductors, SC05

1995 Feb 09

Philips Semiconductors



PHILIPS

Video driver hybrid amplifier

CR2427S

FEATURES

- Typical transition times (10 to 90%) with $C_L = 8.5$ pF:
 - at 35 V (p-p) swing
 $t_r = 2.2$ ns; $t_f = 2.0$ ns
 - at 40 V (p-p) swing
 $t_r = 2.3$ ns; $t_f = 2.1$ ns
 - at 50 V (p-p) swing
 $t_r = 2.5$ ns; $t_f = 2.2$ ns
- Low power consumption
- Minimum small signal bandwidth 130 MHz
- Very fast slew rate; 15000 V/ μ s
- Excellent grey-scale linearity
- Unconditional stability
- Gold metallization ensures excellent reliability.

APPLICATIONS

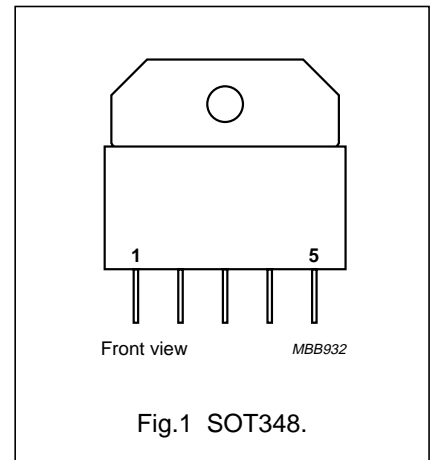
It is designed for application in cathode-ray tube (CRT) drivers in high-resolution colour and monochrome monitors.

DESCRIPTION

Hybrid amplifier module mounted in SOT348 package.

PINNING

PIN	DESCRIPTION
1	input
2	ground
3	supply voltage (V_S)
4	ground
5	output



LIMITING VALUES

In accordance with the Absolute Maximum Rating System (IEC 134).

SYMBOL	PARAMETER	MIN.	MAX.	UNIT
V_S	supply voltage (DC)	–	70	V
T_{mb}	operating mounting base temperature; note 1	–20	+100	$^{\circ}$ C
T_{stg}	storage temperature	–40	+125	$^{\circ}$ C

Note

1. To ensure proper thermal contact, a layer of heatsink compound should be applied between module and heatsink.

Video driver hybrid amplifier

CR2427S

CHARACTERISTICS

$T_{mb} = 25\text{ }^{\circ}\text{C}$; $C_L = 8.5\text{ pF}$; $R_1 = 215\text{ }\Omega$; $C_1 = 50\text{ pF}$ (see Fig.10); unless otherwise specified.

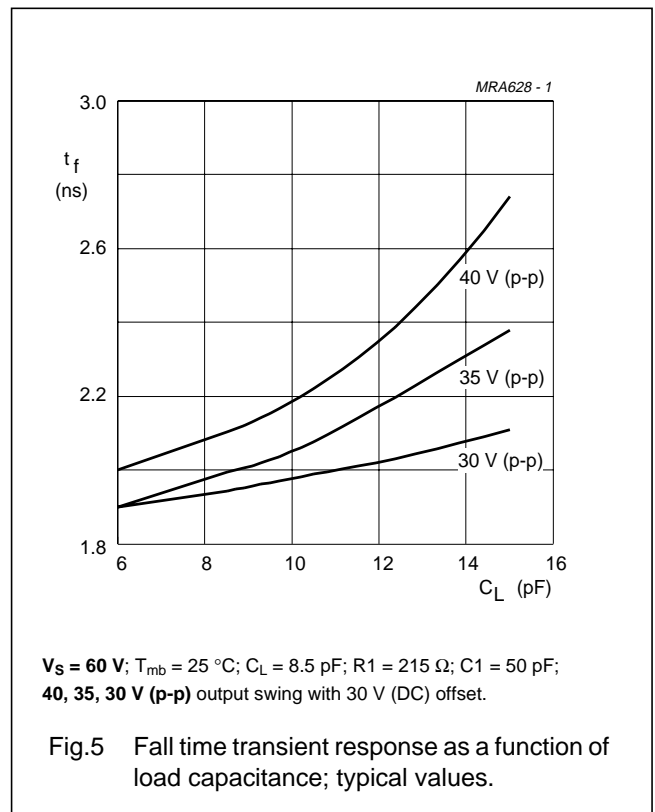
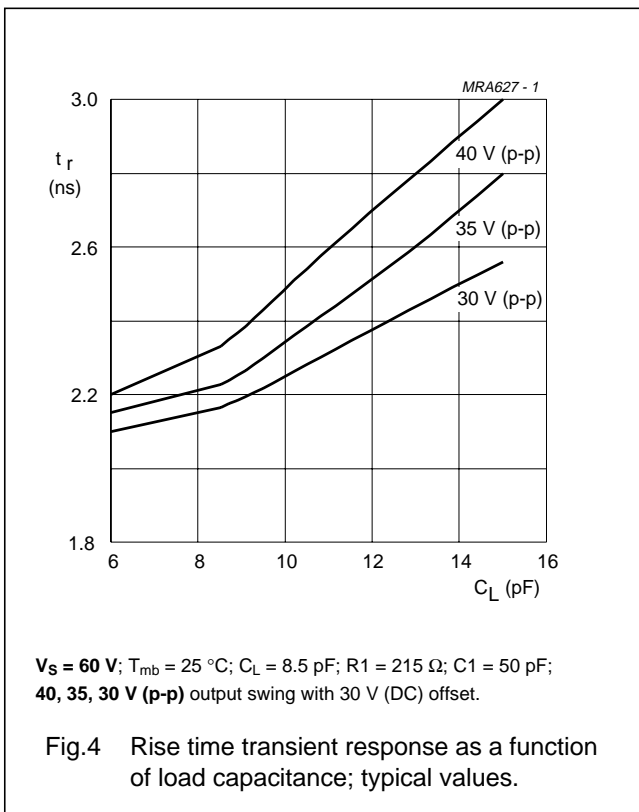
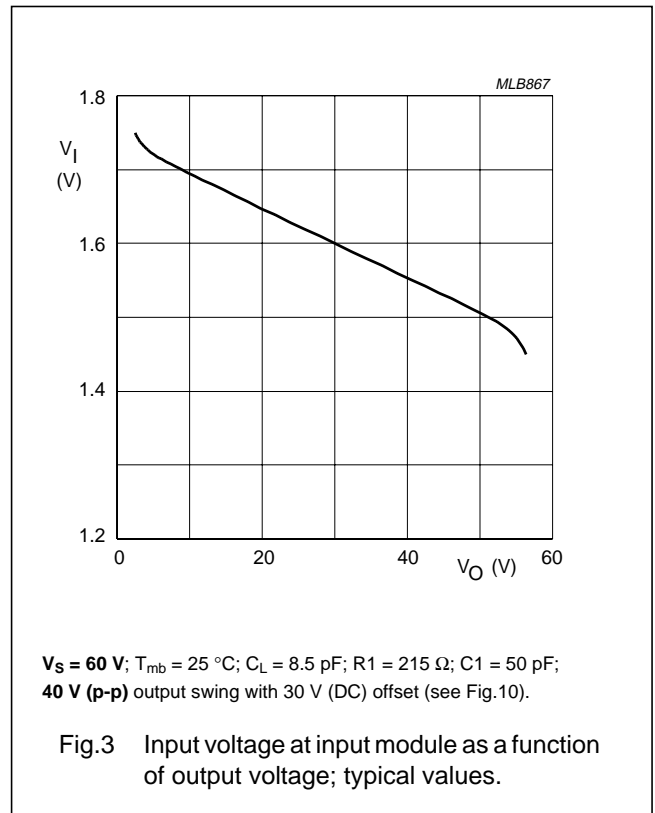
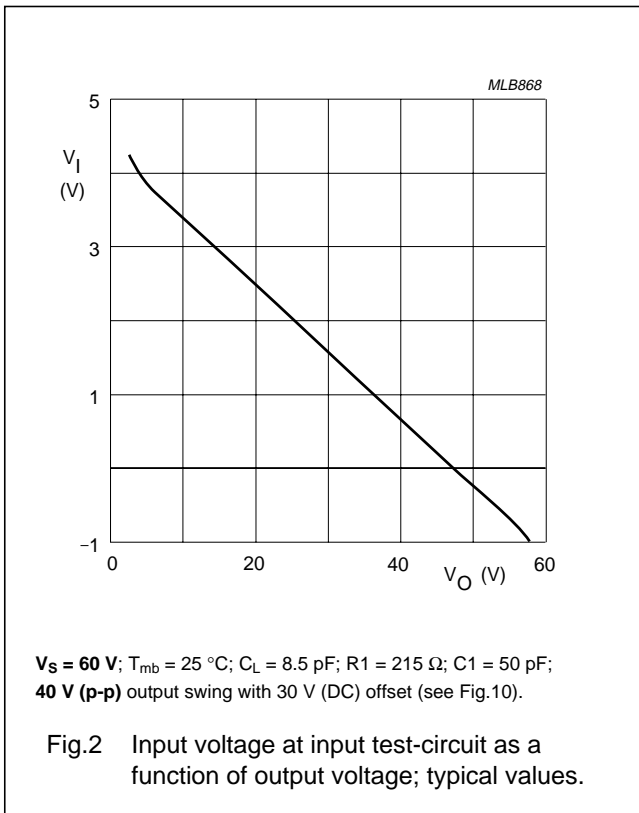
SYMBOL	PARAMETER	CONDITIONS	MIN.	TYP.	MAX.	UNIT
$V_S = 60\text{ V}$; 40 V (p-p) output swing with 30 V (DC) offset; unless otherwise specified						
I_S	supply current	input and output open	39	45	51	mA
V_I	input voltage (DC)	input and output open	1.3	1.6	1.9	V
V_O	output voltage (DC)	input and output open	28	31	34	V
t_r	rise time transient response	10 to 90%; note 1	–	2.3	2.9	ns
t_f	fall time transient response	10 to 90%; note 1	–	2.1	2.6	ns
$V_S = 65\text{ V}$; 50 V (p-p) output swing with 32.5 V (DC) offset; unless otherwise specified						
I_S	supply current	input and output open	–	50	57	mA
V_I	input voltage (DC)	input and output open	1.4	1.75	2.1	V
V_O	output voltage (DC)	input and output open	29	32	35	V
t_r	rise time transient response	10 to 90%; note 2	–	2.5	3.2	ns
t_f	fall time transient response	10 to 90%; note 2	–	2.2	3.2	ns
$V_S = 60\text{ V}$ or 65 V; 40 V (p-p) or 50 V (p-p) output swing with 30 V (DC) or 32.5 V (DC) offset; unless otherwise specified						
P_{tot}	total power dissipation	50 MHz square wave	–	4.6	6	W
B_s	small signal bandwidth	between -3 dB points; note 3	130	145	–	MHz
V_{tilt}	low frequency tilt voltage	1 kHz square wave	–	1.3	1.5	V
V_{os}	overshoot voltage	varied by C_1 ; see Fig.10	–	3	10	%
NLN	non-linearity	$V_O = 5\text{ to }55\text{ V}$	–	2	5	%
A_V	DC voltage gain	50 Ω source; note 4	11.2	12.4	13.2	
V_G	insertion gain	50 Ω source; note 5	160	180	200	

Notes

- Input signal is a nominal 100 kHz square wave of 3.25 V (p-p), with 1.5 V (DC) offset (50 Ω source).
- Input signal is a nominal 100 kHz square wave of 3.4 V (p-p), with 1.65 V (DC) offset (50 Ω source).
- Sine wave output signal: 1 V (p-p).
- Measured V_O/V_I (Figs 2 and 6) at input test circuit (see Fig.10).
- Measured V_O/V_I (Figs 3 and 7) at input module (see Fig.10).

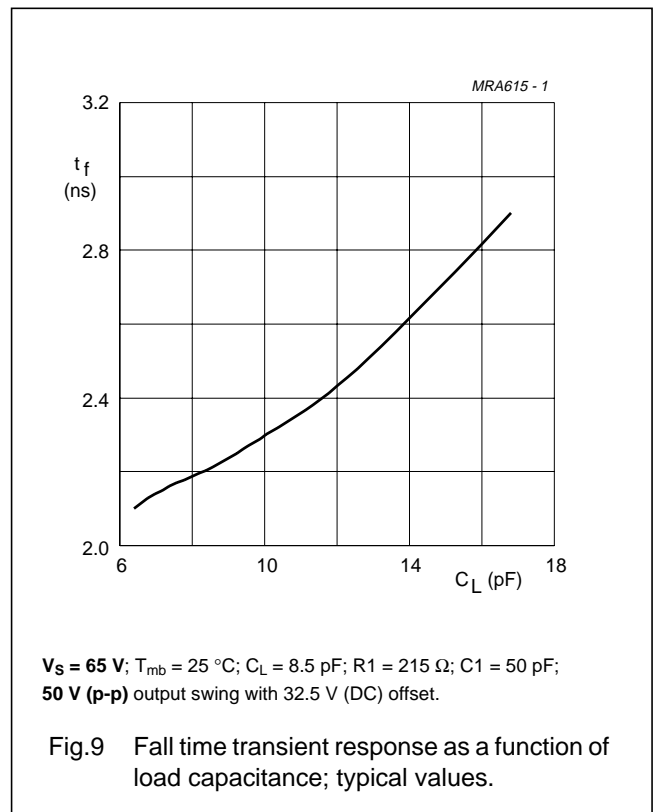
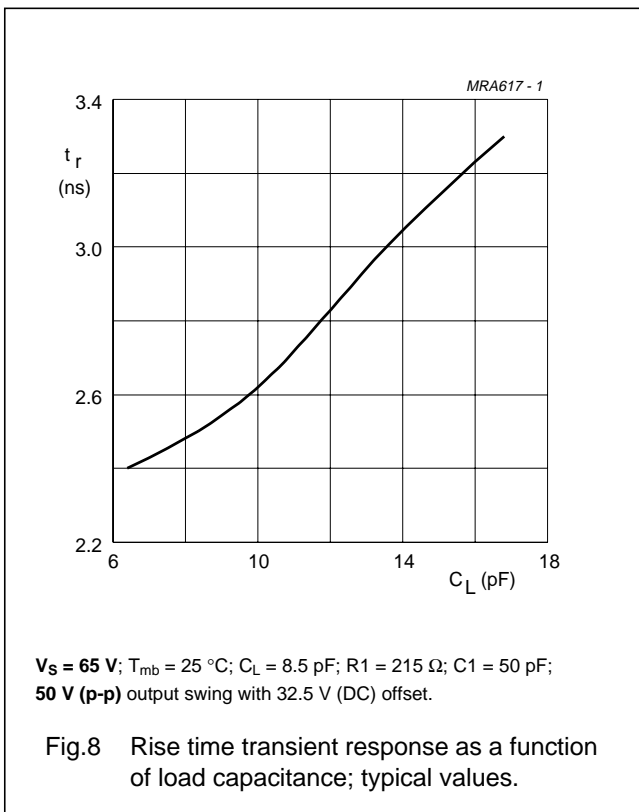
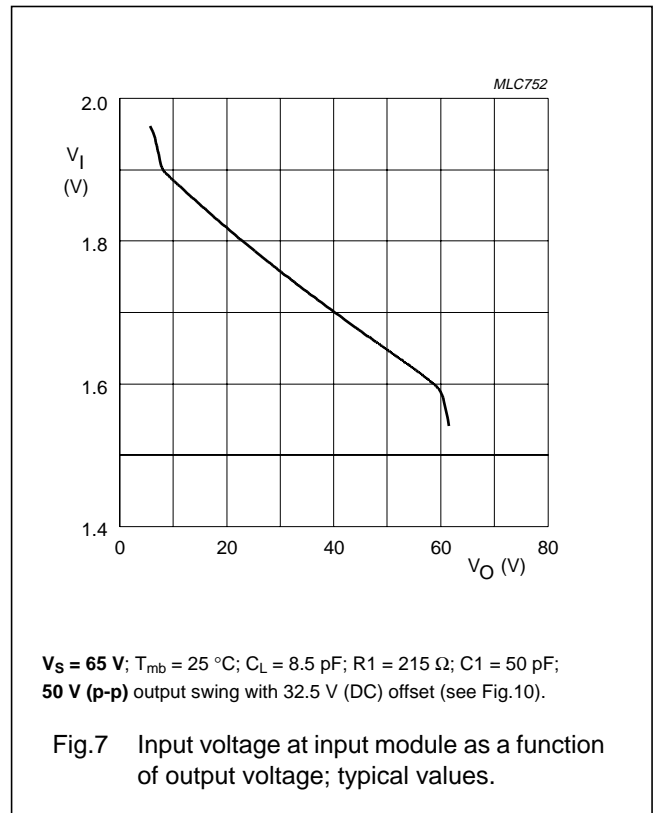
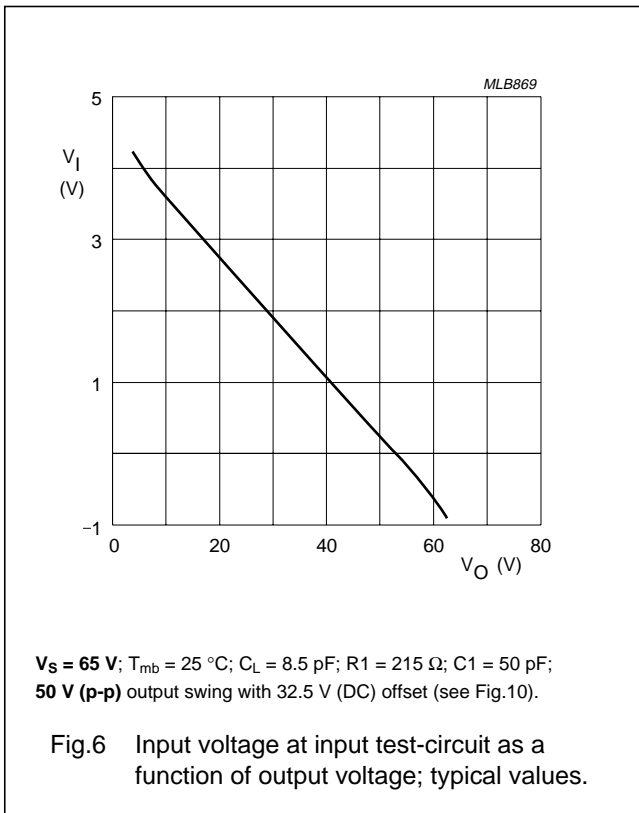
Video driver hybrid amplifier

CR2427S



Video driver hybrid amplifier

CR2427S



Video driver hybrid amplifier

CR2427S

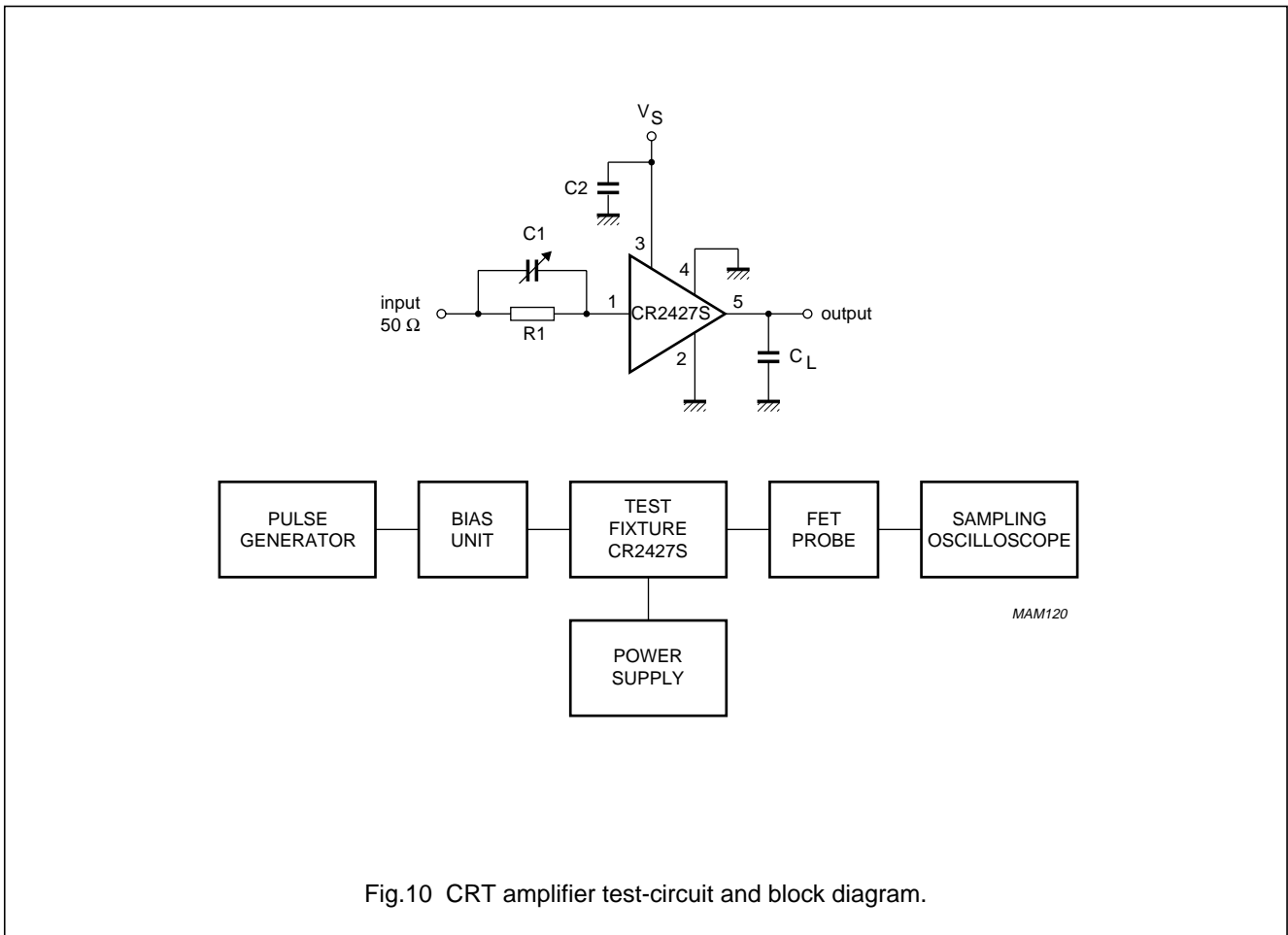


Fig.10 CRT amplifier test-circuit and block diagram.

Components used in test-circuit (see Fig.10)

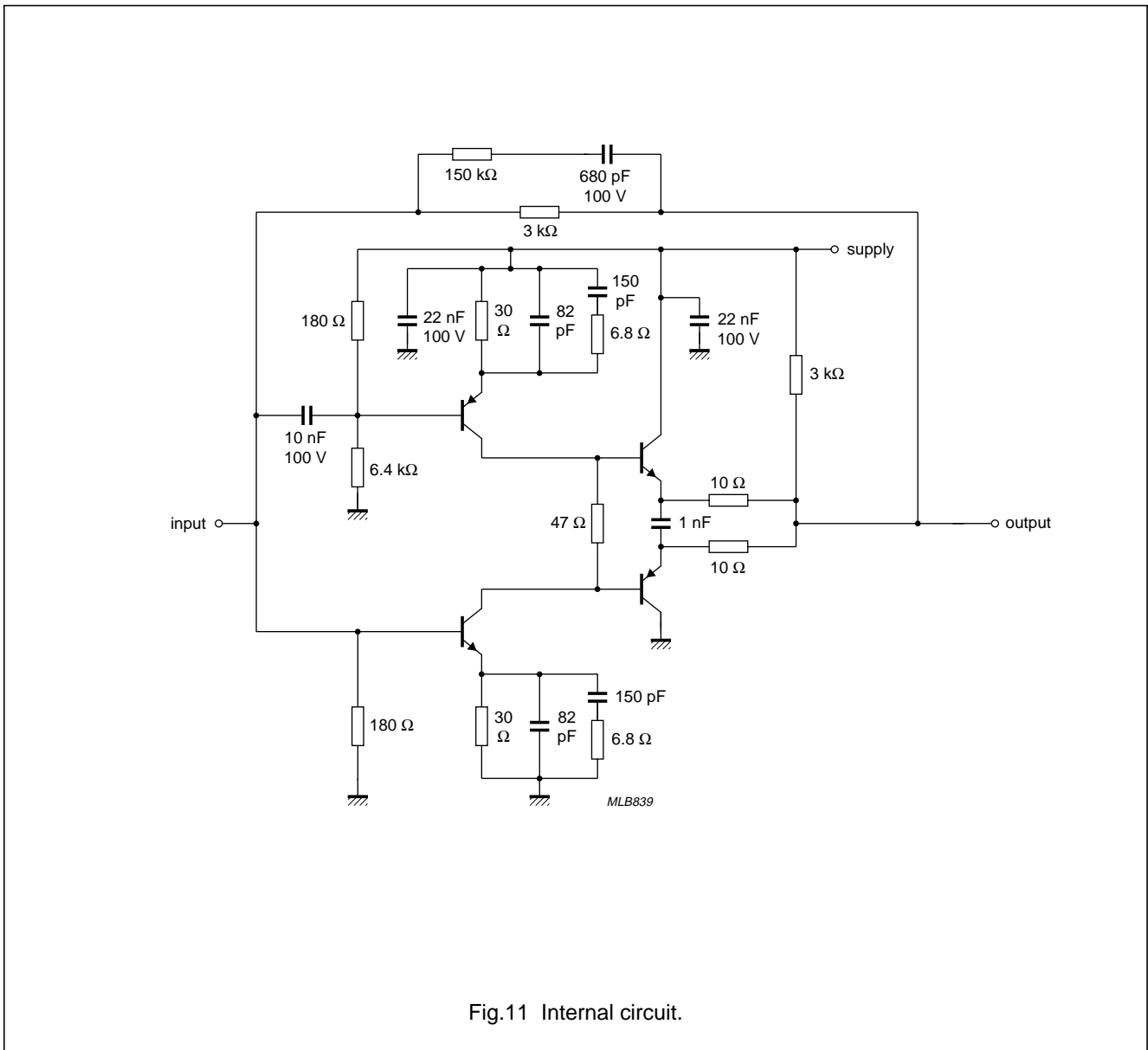
DESIGNATION	DESCRIPTION	VALUE
C ₁	variable capacitor	10 to 120 pF (typ. 50 pF)
C ₂	chip capacitor	10 nF
R1	resistor	typ. 215 Ω

Equipment used in test-circuit (see Fig.10)

EQUIPMENT	TYPE DESCRIPTION
Pulse generator	Pico Second; Model 2600B
Bias unit	Pico Second; Model 5555
Power supply	Philips; Model PE1541, 80 V
FET probe	Philips; Model PM8943, attenuation 100 : 1
Sampling oscilloscope	Tektronix; Model 11803, sampling head SD24

Video driver hybrid amplifier

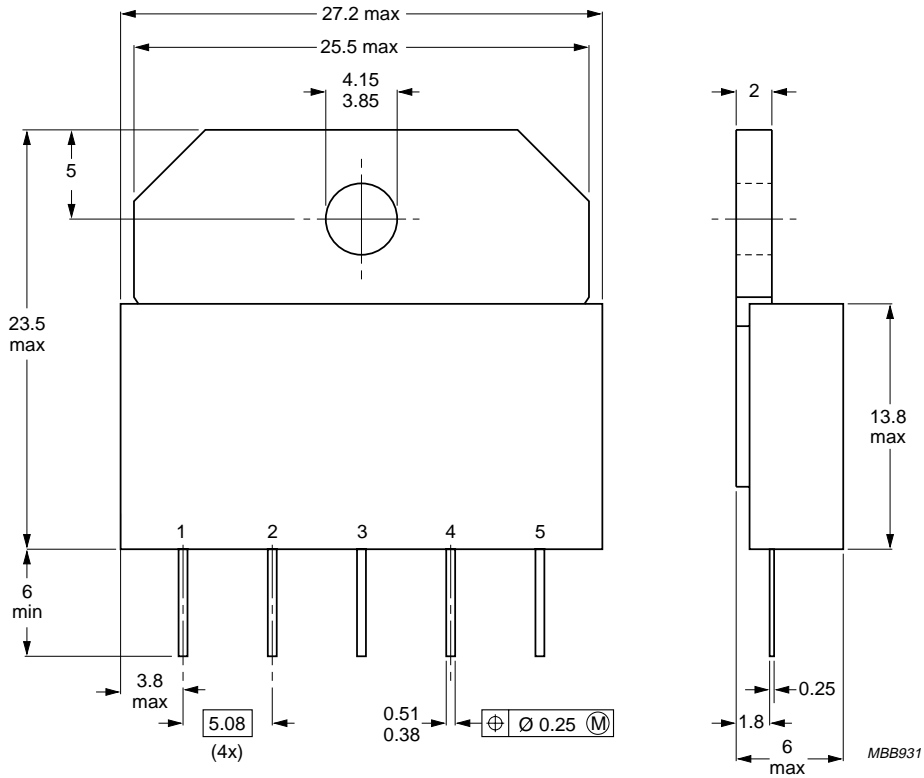
CR2427S



Video driver hybrid amplifier

CR2427S

PACKAGE OUTLINE



Dimensions in mm.

Heatsink compound must be applied sparingly and evenly distributed.

Fig.12 SOT348.

Video driver hybrid amplifier

CR2427S

DEFINITIONS

Data sheet status	
Objective specification	This data sheet contains target or goal specifications for product development.
Preliminary specification	This data sheet contains preliminary data; supplementary data may be published later.
Product specification	This data sheet contains final product specifications.
Limiting values	
Limiting values given are in accordance with the Absolute Maximum Rating System (IEC 134). Stress above one or more of the limiting values may cause permanent damage to the device. These are stress ratings only and operation of the device at these or at any other conditions above those given in the Characteristics sections of the specification is not implied. Exposure to limiting values for extended periods may affect device reliability.	
Application information	
Where application information is given, it is advisory and does not form part of the specification.	

LIFE SUPPORT APPLICATIONS

These products are not designed for use in life support appliances, devices, or systems where malfunction of these products can reasonably be expected to result in personal injury. Philips customers using or selling these products for use in such applications do so at their own risk and agree to fully indemnify Philips for any damages resulting from such improper use or sale.

Video driver hybrid amplifier

CR2427S

NOTES

Video driver hybrid amplifier

CR2427S

NOTES

Philips Semiconductors – a worldwide company

Argentina: IEROD, Av. Juramento 1992 - 14.b, (1428)
BUENOS AIRES, Tel. (541)786 7633, Fax. (541)786 9367

Australia: 34 Waterloo Road, NORTH RYDE, NSW 2113,
Tel. (02)805 4455, Fax. (02)805 4466

Austria: Triester Str. 64, A-1101 WIEN, P.O. Box 213,
Tel. (01)60 101-1236, Fax. (01)60 101-1211

Belgium: Postbus 90050, 5600 PB EINDHOVEN, The Netherlands,
Tel. (31)40 783 749, Fax. (31)40 788 399

Brazil: Rua do Rocio 220 - 5th floor, Suite 51,
CEP: 04552-903-SÃO PAULO-SP, Brazil.
P.O. Box 7383 (01064-970).

Tel. (011)821-2333, Fax. (011)829-1849

Canada: PHILIPS SEMICONDUCTORS/COMPONENTS:
Tel. (800) 234-7381, Fax. (708) 296-8556

Chile: Av. Santa Maria 0760, SANTIAGO,
Tel. (02)773 816, Fax. (02)777 6730

Colombia: IPRELENZO LTDA, Carrera 21 No. 56-17,
77621 BOGOTA, Tel. (571)249 7624/(571)217 4609,
Fax. (571)217 4549

Denmark: Prags Boulevard 80, PB 1919, DK-2300 COPENHAGEN S,
Tel. (032)88 2636, Fax. (031)57 1949

Finland: Sinikalliontie 3, FIN-02630 ESPOO,
Tel. (9)0-50261, Fax. (9)0-520971

France: 4 Rue du Port-aux-Vins, BP317,
92156 SURESNES Cedex,
Tel. (01)4099 6161, Fax. (01)4099 6427

Germany: P.O. Box 10 63 23, 20043 HAMBURG,
Tel. (040)3296-0, Fax. (040)3296 213.

Greece: No. 15, 25th March Street, GR 17778 TAVROS,
Tel. (01)4894 339/4894 911, Fax. (01)4814 240

Hong Kong: PHILIPS HONG KONG Ltd., 15/F Philips Ind. Bldg.,
24-28 Kung Yip St., KWAI CHUNG, N.T.,
Tel. (852)424 5121, Fax. (852)480 6960/480 6009

India: Philips INDIA Ltd, Shivsagar Estate, A Block,
Dr. Annie Besant Rd. Worli, Bombay 400 018
Tel. (022)4938 541, Fax. (022)4938 722

Indonesia: Philips House, Jalan H.R. Rasuna Said Kav. 3-4,
P.O. Box 4252, JAKARTA 12950,
Tel. (021)5201 122, Fax. (021)5205 189

Ireland: Newstead, Clonskeagh, DUBLIN 14,
Tel. (01)640 000, Fax. (01)640 200

Italy: PHILIPS SEMICONDUCTORS S.r.l.,
Piazza IV Novembre 3, 20124 MILANO,
Tel. (0039)2 6752 2531, Fax. (0039)2 6752 2557

Japan: Philips Bldg 13-37, Kohnan2-chome, Minato-ku, TOKYO 108,
Tel. (03)3740 5028, Fax. (03)3740 0580

Korea: (Republic of) Philips House, 260-199 Itaewon-dong,
Yongsan-ku, SEOUL, Tel. (02)794-5011, Fax. (02)798-8022

Malaysia: No. 76 Jalan Universiti, 46200 PETALING JAYA,
SELANGOR, Tel. (03)750 5214, Fax. (03)757 4880

Mexico: 5900 Gateway East, Suite 200, EL PASO, TX 79905,
Tel. 9-5(800)234-7381, Fax. (708)296-8556

Netherlands: Postbus 90050, 5600 PB EINDHOVEN, Bldg. VB
Tel. (040)783749, Fax. (040)788399

New Zealand: 2 Wagener Place, C.P.O. Box 1041, AUCKLAND,
Tel. (09)849-4160, Fax. (09)849-7811

Norway: Box 1, Manglerud 0612, OSLO,
Tel. (022)74 8000, Fax. (022)74 8341

Pakistan: Philips Electrical Industries of Pakistan Ltd.,
Exchange Bldg. ST-2/A, Block 9, KDA Scheme 5, Clifton,
KARACHI 75600, Tel. (021)587 4641-49,
Fax. (021)577035/5874546.

Philippines: PHILIPS SEMICONDUCTORS PHILIPPINES Inc,
106 Valero St. Salcedo Village, P.O. Box 2108 MCC, MAKATI,
Metro MANILA, Tel. (02)810 0161, Fax. (02)817 3474

Portugal: PHILIPS PORTUGUESA, S.A.,
Rua dr. António Loureiro Borges 5, Arquiparque - Miraflores,
Apartado 300, 2795 LINDA-A-VELHA,
Tel. (01)4163160/4163333, Fax. (01)4163174/4163366.

Singapore: Lorong 1, Toa Payoh, SINGAPORE 1231,
Tel. (65)350 2000, Fax. (65)251 6500

South Africa: S.A. PHILIPS Pty Ltd.,
195-215 Main Road Martindale, 2092 JOHANNESBURG,
P.O. Box 7430 Johannesburg 2000,
Tel. (011)470-5911, Fax. (011)470-5494.

Spain: Balmes 22, 08007 BARCELONA,
Tel. (03)301 6312, Fax. (03)301 42 43

Sweden: Kottbygatan 7, Akalla. S-164 85 STOCKHOLM,
Tel. (0)8-632 2000, Fax. (0)8-632 2745

Switzerland: Allmendstrasse 140, CH-8027 ZÜRICH,
Tel. (01)488 2211, Fax. (01)481 77 30

Taiwan: PHILIPS TAIWAN Ltd., 23-30F, 66, Chung Hsiao West
Road, Sec. 1, Taipei, Taiwan ROC, P.O. Box 22978,
TAIPEI 100, Tel. (02)388 7666, Fax. (02)382 4382.

Thailand: PHILIPS ELECTRONICS (THAILAND) Ltd.,
209/2 Sanpavuth-Bangna Road Prakanong,
Bangkok 10260, THAILAND,
Tel. (662)398-0141, Fax. (662)398-3319.

Turkey: Talatpasa Cad. No. 5, 80640 GÜLTEPE/ISTANBUL,
Tel. (0212)279 2770, Fax. (0212)282 6707

United Kingdom: Philips Semiconductors LTD.,
276 Bath Road, Hayes, MIDDLESEX UB3 5BX,
Tel. (0181)730-5000, Fax. (0181)754-8421

United States: 811 East Arques Avenue, SUNNYVALE,
CA 94088-3409, Tel. (800)234-7381, Fax. (708)296-8556

Uruguay: Coronel Mora 433, MONTEVIDEO,
Tel. (02)70-4044, Fax. (02)92 0601

Internet: <http://www.semiconductors.philips.com/ps/>

For all other countries apply to: Philips Semiconductors,
International Marketing and Sales, Building BE-p,
P.O. Box 218, 5600 MD, EINDHOVEN, The Netherlands,
Telex 35000 phtcnl, Fax. +31-40-724825

SCD38 © Philips Electronics N.V. 1994

All rights are reserved. Reproduction in whole or in part is prohibited without the prior written consent of the copyright owner.

The information presented in this document does not form part of any quotation or contract, is believed to be accurate and reliable and may be changed without notice. No liability will be accepted by the publisher for any consequence of its use. Publication thereof does not convey nor imply any license under patent- or other industrial or intellectual property rights.

Printed in The Netherlands

123065/1500/01/pp12
Document order number:

Date of release: 1995 Feb 09
9397 747 70011

Philips Semiconductors



PHILIPS



LittleDiode supplies new, hard to find or obsolete electronic components and semiconductors all over the world.

With over two million different components listed you are sure to find the part you need.

Feel free to visit us today at our online store:

LittleDiode.com

Looking forward to providing you with the best possible service.