

FEATURES

- Rise/Fall Time..... **4.0ns**
- Swing **65V_{P-P}**
- Supply Voltage..... **90V**
- High Input Impedance

APPLICATIONS

- CRT driver for up to 82kHz monitors
- Excellent Gray Scale Linearity
- Emitter Peaking Option
- Adjustable Gain

DESCRIPTION

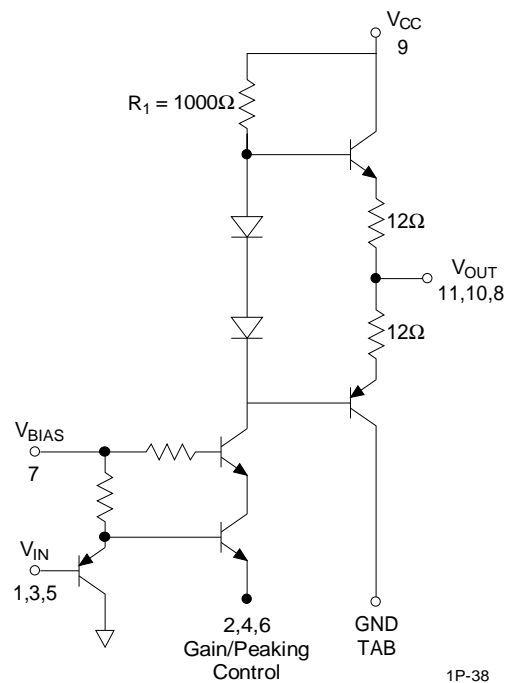
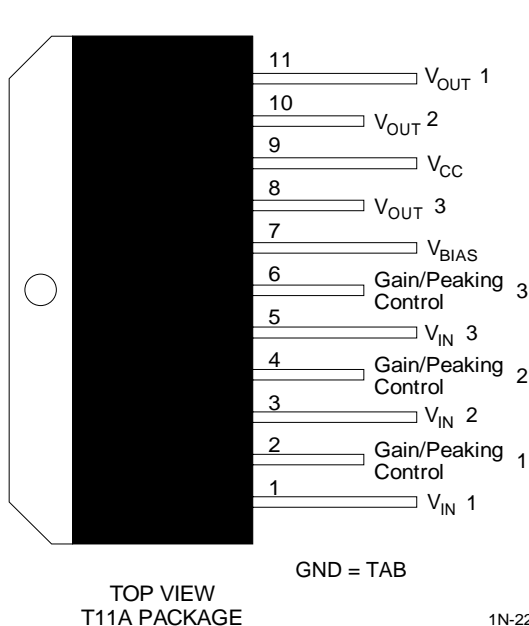
The CVA2403T is a high input impedance wideband triple amplifier. The device is specifically designed to drive a CRT featuring a high speed buffer for easy matching to a pre-amplifier, no crossover distortion for excellent gray scale linearity, external emitter peaking to maximize the high frequency gain at the cross hatch pattern and an adjustable gain for ease of use. This device can drive monitors with resolutions of 1280 X 1024 (interlaced) with pixel frequencies of 220MHz.

The part is housed in the industry standard 11-lead TO-220 molded power package. The heat sink is grounded.

ORDERING INFORMATION

Part	Package	Temperature
CVA2403T	T11A	-20°C to +100°C

CONNECTION DIAGRAM AND SIMPLIFIED SCHEMATIC



ABSOLUTE MAXIMUM RATINGS

Supply Voltage 90V Operating Temperature -20°C to +100°C
 Power Dissipation 16W Lead Temperature +300°C
 Storage Temperature -25°C to +100°C

DC ELECTRICAL CHARACTERISTICS $V_s = 80V$, $C_L = 8pF$, $DC_{INPUT\ BIAS} = 12V$, $V_{IN} = 3.4V$, $V_{OUT} = 50V_{p-p}$. $T_{CASE} = +25^\circ C$.
 See Figure 1.

SYMBOL	CHARACTERISTICS	MIN	TYP	MAX	UNITS
I_{CC}	Supply Current	30	34	40	mA
$V_{OUT\ DC}$	Output DC Level	40	45	50	V
A_v	Voltage Gain	13	15	17	V
	Gain Matching		0.2		dB

AC ELECTRICAL CHARACTERISTICS $V_s = 80V$, $C_L = 8pF$, $DC_{INPUT\ BIAS} = 12V$, $V_{IN} = 3.4V$, $V_{OUT} = 50V_{p-p}$. $T_{CASE} = +25^\circ C$.
 See Figure 1.

SYMBOL	CHARACTERISTICS	MIN	TYP	MAX	UNITS
T_r	Rise Time		4	4.5	ns
T_f	Fall Time		4	4.5	ns
L_e	Linearity		6		%
OS	Overshoot		5		%

FIGURE 1. TEST CIRCUIT

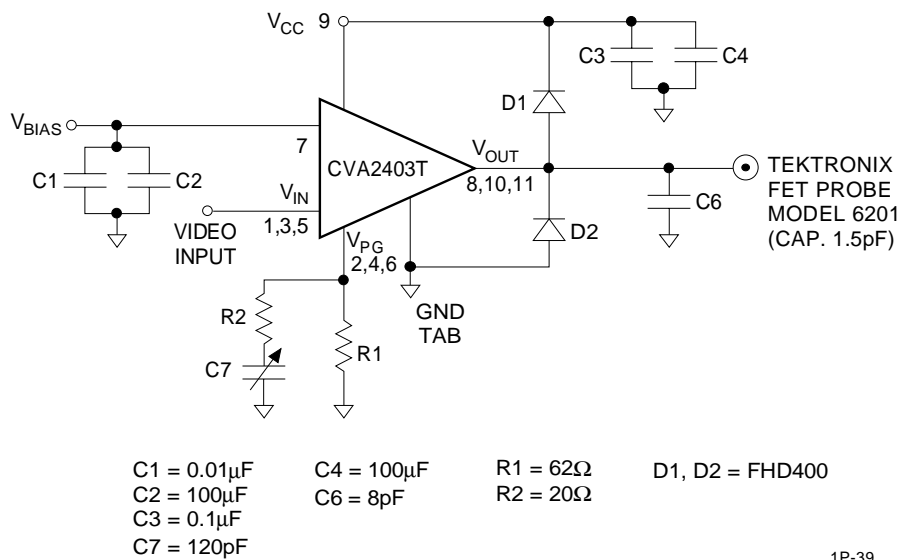
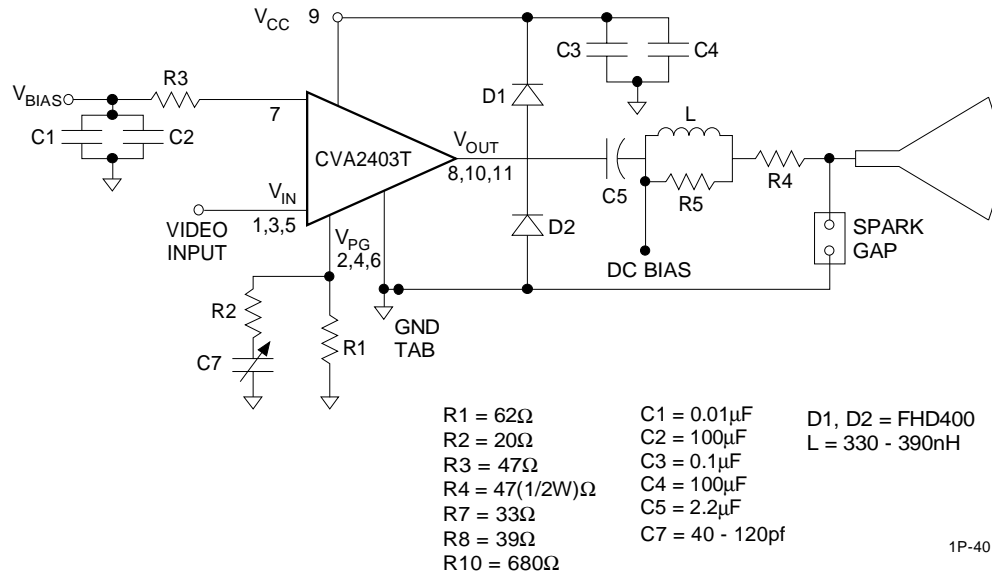


FIGURE 2. APPLICATION CIRCUIT



APPLICATION INFORMATION

The CVA2403T is a high voltage triple CRT driver suitable for VGA, Super VGA, IBM® 8514, 1280 x 1024 and 1024 x 768 non-interlaced display applications. The CVA2403T features 80V operation. The part is housed in the industry standard 11 lead TO-220 molded power package. The heat sink is floating and may be grounded for ease of manufacturing and RFI shielding.

Thermal Considerations

The transfer characteristics of the amplifier are shown in Figure 4. Since this is a class A input stage, power supply current increases as the input signal increases and consequently power dissipation also increases.

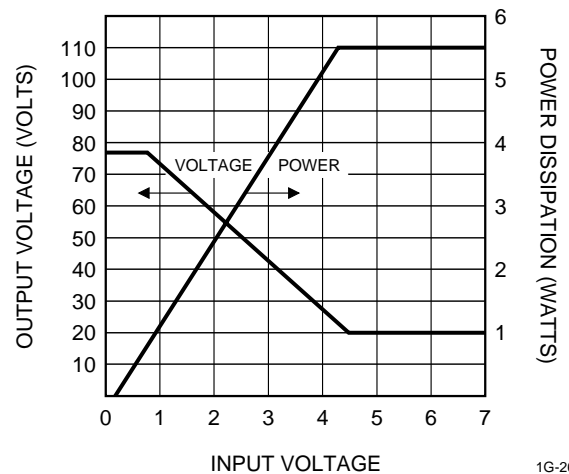
The CVA2403T cannot be used without heat sinking. Figure 2 shows the power dissipated in each channel over the operating voltage range of the device. Under white screen conditions, i.e.: 20V output, dissipation increases to 16W total. The CVA2403T case temperature must be maintained below +90°C. If the maximum expected ambient temperature is +50°C, then a heat sink is needed with thermal resistance equal to or less than:

$$R_{th} = \frac{(90 - 50^{\circ}\text{C})}{16\text{W}} = 2.5^{\circ}\text{C/W}$$

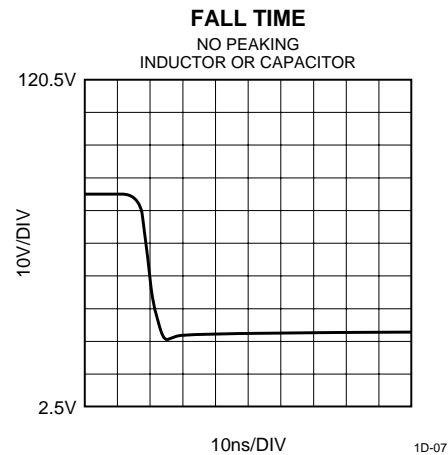
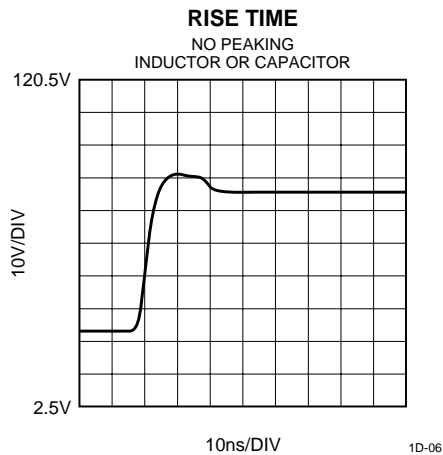
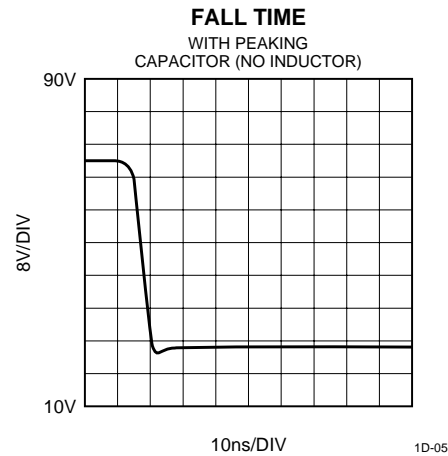
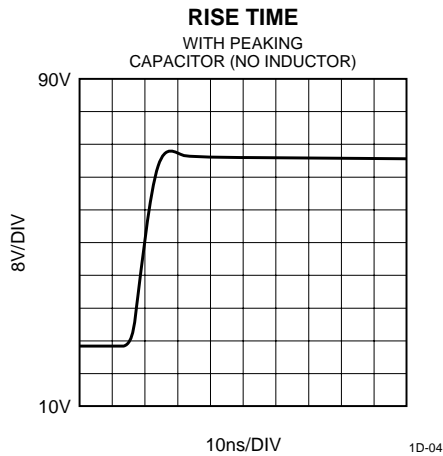
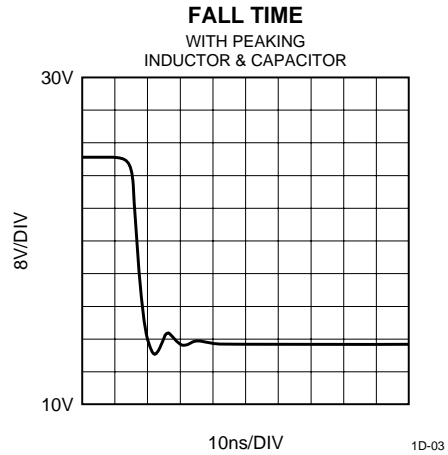
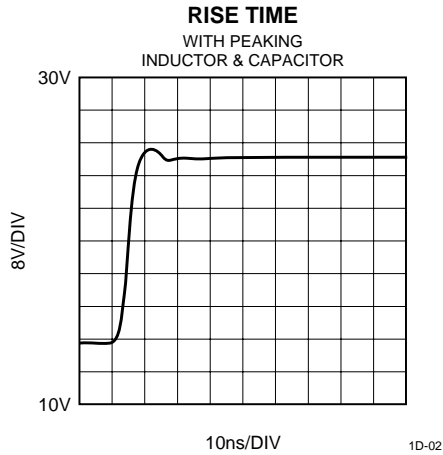
The CVA2403T maximum load is 600Ω to ground or V⁺.

The output of CVA2403T is not short circuit proof. Any resistance to V⁺ or Ground should be > 600Ω.

FIGURE 3. CVA2403T DC Characteristics



TYPICAL CHARACTERISTICS



Information furnished by Calogic is believed to be accurate and reliable. However, no responsibility is assumed for its use: nor for any infringement of patents or other rights of third parties which may result from its use. No license is granted by implication or otherwise under any patent rights of Calogic.

This datasheet has been downloaded from:

www.DatasheetCatalog.com

Datasheets for electronic components.



LittleDiode supplies new, hard to find or obsolete electronic components and semiconductors all over the world.

With over two million different components listed you are sure to find the part you need.

Feel free to visit us today at our online store:

LittleDiode.com

Looking forward to providing you with the best possible service.