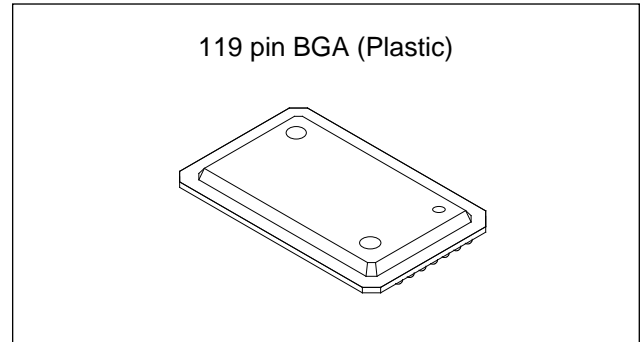


Description

The CXK77B3611AGB-5/6 is a high speed 1M bit Bi-CMOS synchronous static RAM organized as 32768 words by 36 bits. This SRAM integrates input registers, high speed SRAM and write buffer onto a single monolithic IC and features the delayed write system to reduce the dead cycles.

Features

- Fast cycle time (Cycle) (Frequency)
- CXK77B3611AGB-5 5ns 200MHz
- 6 6ns 167MHz
- Inputs and outputs are GTL/HSTL compatible
- Controlled Impedance Driver
- Single 3.3V power supply: 3.3V±0.15V
- Byte-write possible
- \overline{OE} asynchronization
- JTAG test circuit
- Package 119TBGA
- 4 kinds of synchronous operation mode
 - Register-Register mode (R-R mode)
 - Register-Flow Thru mode (R-F mode)
 - Register-Latch mode (R-L mode)
 - Dual clock mode (D-C mode)

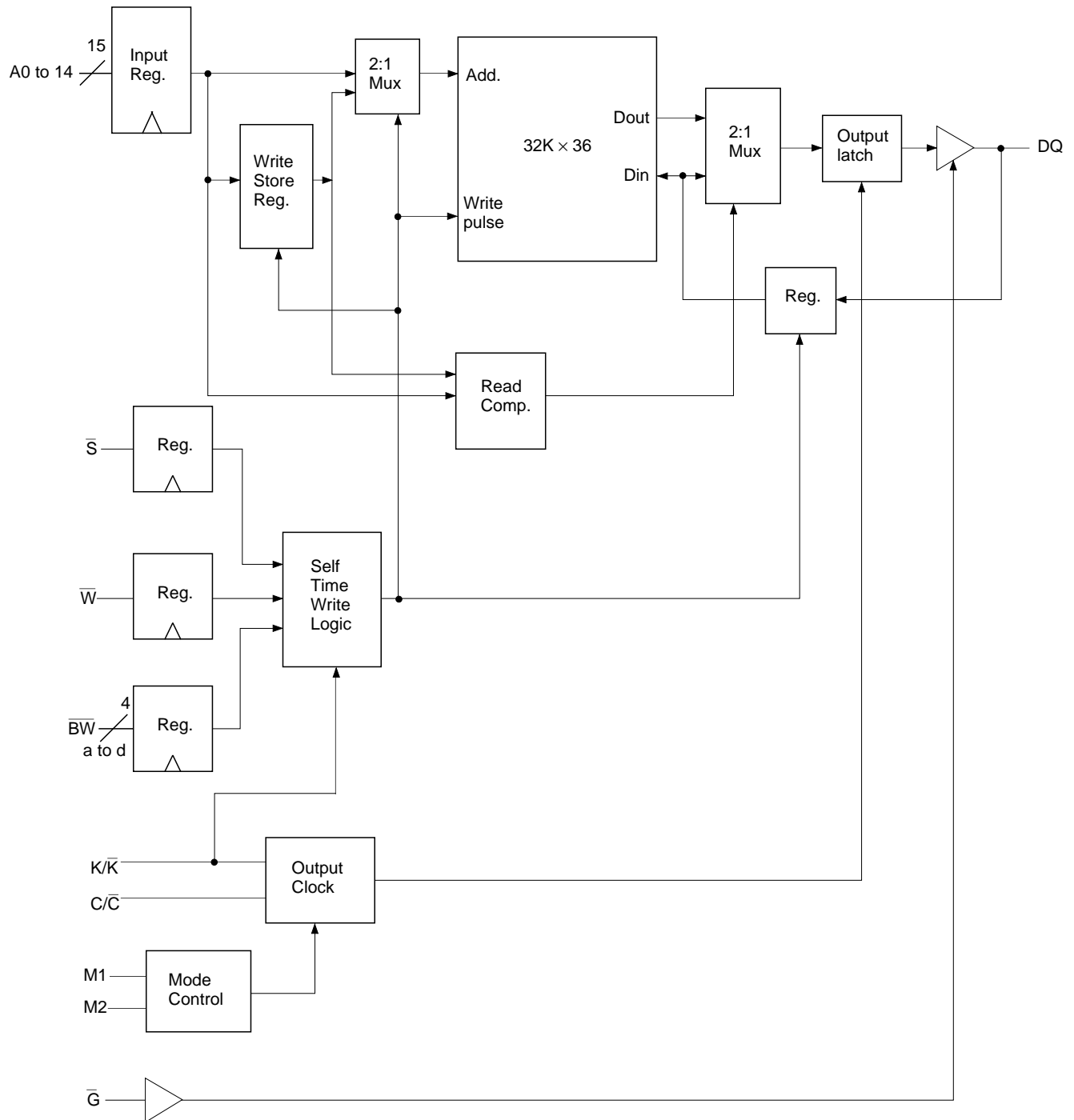
**Function**

32768 word x 36bit High Speed Bi-CMOS Synchronous SRAM

Structure

Silicon gate Bi-CMOS IC

Block Diagram



Pin Configuration (Top View)

	1	2	3	4	5	6	7
A	V _{DDQ}	A	A	NC	A	A	V _{DDQ}
B	NC	NC	NC	NC	NC	NC	NC
C	NC	A	A	V _{DD}	A	A	NC
D	DQ _c	DQ _c	V _{SS}	ZQ	V _{SS}	DQ _b	DQ _b
E	DQ _c	DQ _c	V _{SS}	\overline{S}	V _{SS}	DQ _b	DQ _b
F	V _{DDQ}	DQ _c	V _{SS}	\overline{G}	V _{SS}	DQ _b	V _{DDQ}
G	DQ _c	DQ _c	\overline{BWc}	\overline{C}	\overline{BWb}	DQ _b	DQ _b
H	DQ _c	DQ _c	V _{SS}	C	V _{SS}	DQ _b	DQ _b
J	V _{DDQ}	V _{DD}	VREF	V _{DD}	VREF	V _{DD}	V _{DDQ}
K	DQ _d	DQ _d	V _{SS}	K	V _{SS}	DQ _a	DQ _a
L	DQ _d	DQ _d	\overline{BWd}	\overline{K}	\overline{BWa}	DQ _a	DQ _a
M	V _{DDQ}	DQ _d	V _{SS}	\overline{W}	V _{SS}	DQ _a	V _{DDQ}
N	DQ _d	DQ _d	V _{SS}	A	V _{SS}	DQ _a	DQ _a
P	DQ _d	DQ _d	V _{SS}	A	V _{SS}	DQ _a	DQ _a
R	NC	A	M1	V _{DD}	M2	A	NC
T	NC	NC	A	A	A	NC	ZZ
U	V _{DDQ}	TMS	TDI	TCK	TDO	NC	V _{DDQ}

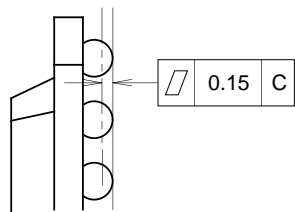
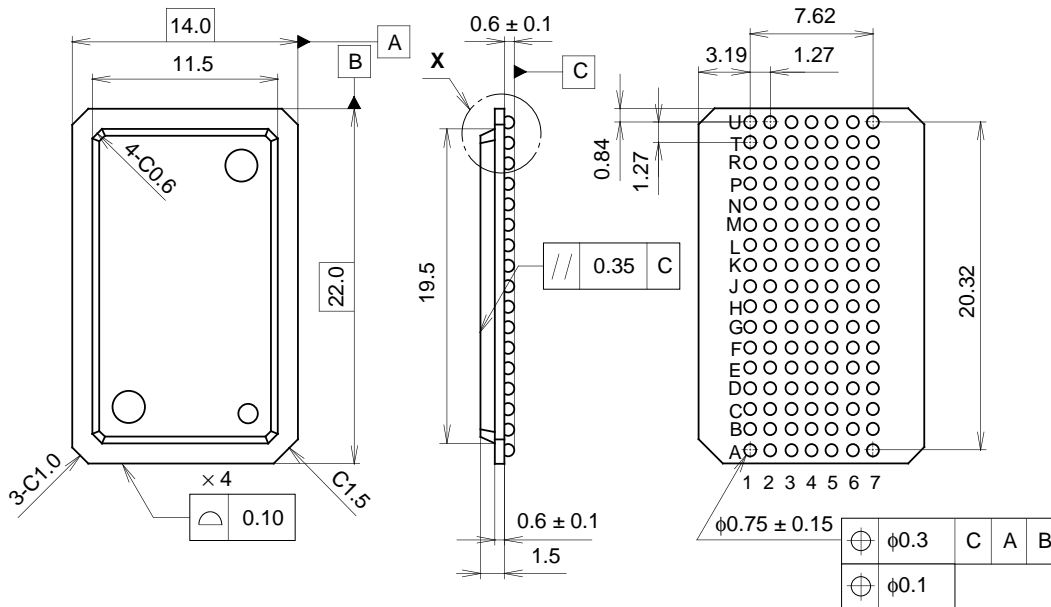
Pin Description

Symbol	Description	Symbol	Description	Symbol	Description
A	Address Input	\overline{BWx}	Byte Write Enable (a to d)	V _{DD}	+3.3V power supply
DQ _x	Data I/O in byte (a to d)	\overline{S}	Chip Select	V _{DDQ}	Output power supply
K	Positive Clock	\overline{G}	Asyn Output Enable	V _{SS}	Ground
\overline{K}	Negative Clock	ZZ	Sleep Mode Select	M1, M2	Mode Select
C	Output Positive Clock(*)	TCK	JTAG Clock	ZQ	Output Impedance Control
\overline{C}	Output Negative Clock(*)	TMS	JTAG Mode Select	NC	No Connect
VREF	Input Reference	TDI	JTAG Data In		
\overline{W}	Write Enable	TDO	JTAG Data Out		

(*) These pins should be tied to V_{DD} or V_{SS} except D-C mode.

Package Outline Unit: mm

119 TERMINAL BGA (PLASTIC)



DETAIL X

PACKAGE STRUCTURE

PACKAGE MATERIAL	EPOXY RESIN
BOARD MATERIAL	COPPER-CLAD LAMINATE
TERMINAL MATERIAL	SOLDER
PACKAGE WEIGHT	0.8g

SONY CODE	BGA-119P-01
EIAJ CODE	_____
JEDEC CODE	_____



LittleDiode supplies new, hard to find or obsolete electronic components and semiconductors all over the world.

With over two million different components listed you are sure to find the part you need.

Feel free to visit us today at our online store:

LittleDiode.com

Looking forward to providing you with the best possible service.