

CMOS-CCD 1H Delay Line for PAL

Description

The CXL5506M/P are CMOS-CCD delay line ICs that provide 1H delay time for PAL signals including the external low-pass filter.

Features

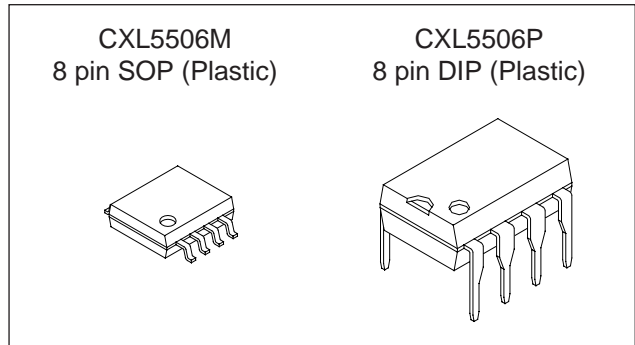
- Single 5V power supply
- Low power consumption 95mW (Typ.)
- Built-in peripheral circuits

Functions

- 1130-bit CCD register
- Clock driver
- Auto-bias circuit
- Input clamp circuit
- Sample-and-hold circuit

Structure

CMOS-CCD



Absolute Maximum Ratings (Ta = 25°C)

• Supply voltage	V _{DD}	6	V
• Operating temperature	T _{opr}	-10 to +60	°C
• Storage temperature	T _{stg}	-55 to +150	°C
• Allowable power dissipation	P _D		
	CXL5506M	350	mW
	CXL5506P	480	mW

Recommended Operating Condition (Ta = 25°C)

Supply voltage	V _{DD}	5 ± 5%	V
----------------	-----------------	--------	---

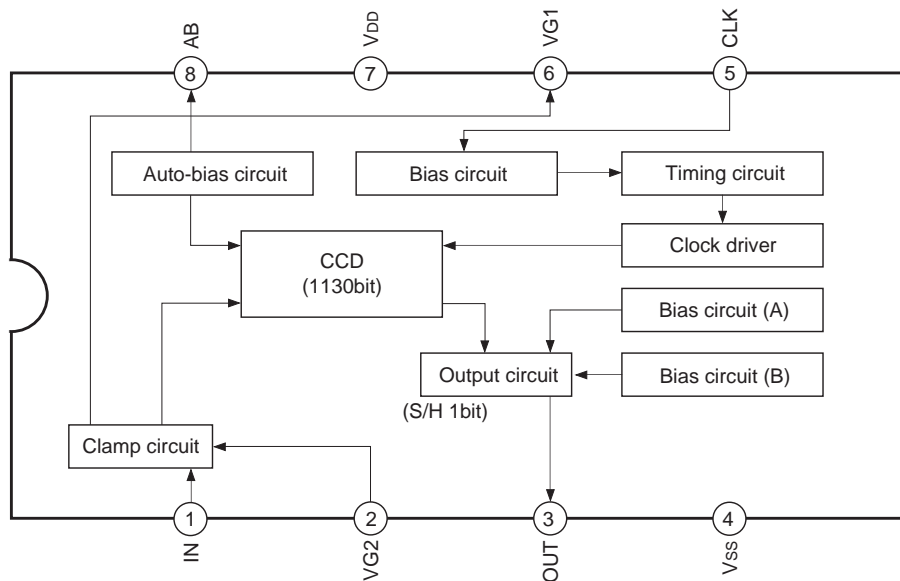
Recommended Clock Conditions (Ta = 25°C)

- Input clock amplitude V_{CLK} 0.3 to 1.0 V_{p-p}
(0.5V_{p-p} typ.)
- Clock frequency f_{CLK} 17.734475 MHz
- Input clock waveform Sine wave

Input Signal Amplitude

V_{SIG} 575mV_{p-p} (Max.) (at internal clamp condition)

Block Diagram and Pin Configuration (Top View)



Sony reserves the right to change products and specifications without prior notice. This information does not convey any license by any implication or otherwise under any patents or other right. Application circuits shown, if any, are typical examples illustrating the operation of the devices. Sony cannot assume responsibility for any problems arising out of the use of these circuits.

Pin Description

Pin No.	Symbol	I/O	Description	Impedance
1	IN	I	Signal input	> 10kΩ at no clamp
2 *	VG2	I	Gate bias 2 DC input	
3	OUT	O	Signal output	40 to 500Ω
4	V _{SS}	—	GND	
5	CLK	I	Clock input	> 10kΩ
6	VG1	O	Gate bias 1 DC output	
7	V _{DD}	—	Power supply (5V)	
8	AB	O	Auto-bias DC output	600 to 200kΩ

* Description of Pin 2 (VG2)

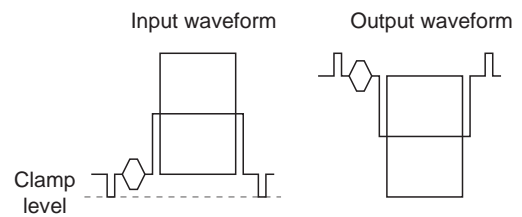
Control of input signal clamp condition

0V Sync tip clamp condition

5V Center bias condition

Center biased to approx. 2.1V by means of the IC internal resistance (approx. 10kΩ).

In this mode, the input signal is limited to APL 50% and the maximum input signal amplitude is 200mVp-p.



Electrical Characteristics

(Ta = 25°C, V_{DD} = 5V, f_{CLK} = 17.734475MHz, V_{CLK} = 500mVp-p, sine wave)

See "Electrical Characteristics Test Circuit"

Item	Symbol	Test condition	SW condition			Min.	Typ.	Max.	Unit	Note
			1	2	3					
Supply current	I _{DD}	—	a	a	—	10	19	28	mA	1
Low frequency gain	GL	200kHz, 500mVp-p, sine wave	a	a	b	-2	0	2	dB	2
Frequency response	f _R	200kHz ↔ 4.43MHz, 150mVp-p, sine wave	b ↓ c	b	b	-2	-1	0	dB	3
Differential gain	DG	5-staircase wave (See Note 4)	d	a	c	0	3	5	%	4
Differential phase	DP	5-staircase wave (See Note 4)	d	a	c	0	3	5	degree	4
S/H pulse coupling	CP	No signal input	f	b	a	—	—	350	mVp-p	5
S/N ratio	SN	50% white video signal (See Note 6)	e	a	d	52	56	—	dB	6

Notes

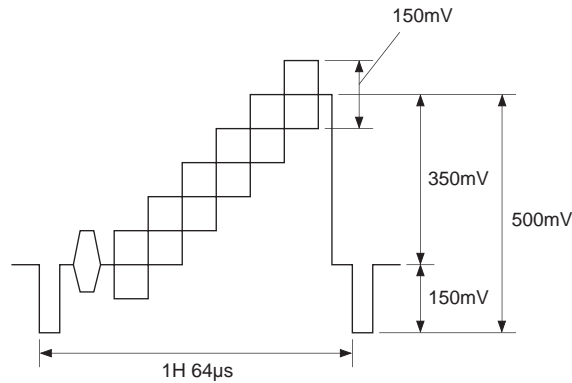
- (1) This is the IC supply current value during clock and signal input.
- (2) GL is the output gain of OUT pin when a 500mVp-p, 200kHz sine wave is fed to IN pin.

$$GL = 20 \log \frac{\text{OUT pin output voltage [mVp-p]}}{500 \text{ [mVp-p]}} \text{ [dB]}$$

- (3) Indicates the dissipation at 4.43MHz in relation to 200kHz.
From the output voltage at OUT pin when a 150mVp-p, 200kHz sine wave is fed to IN pin, and from the output voltage at OUT pin when a 150mVp-p, 4.43MHz sine wave is fed to same, calculation is made according to the following formula.

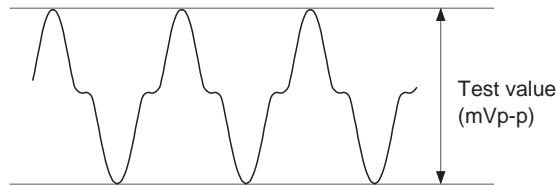
$$fR = 20 \log \frac{\text{OUT pin output voltage (4.43MHz) [mVp-p]}}{\text{OUT pin output voltage (200kHz) [mVp-p]}} \text{ [dB]}$$

- (4) In figure below, differential gain (DG) and differential phase (DP) are tested with a vector scope when the 5-staircase wave is fed.

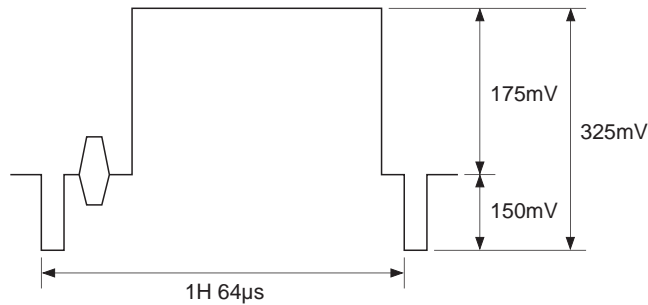


Input waveform

- (5) The internal clock component to the output signal during no-signal input and the leakage of that high harmonic component are tested.



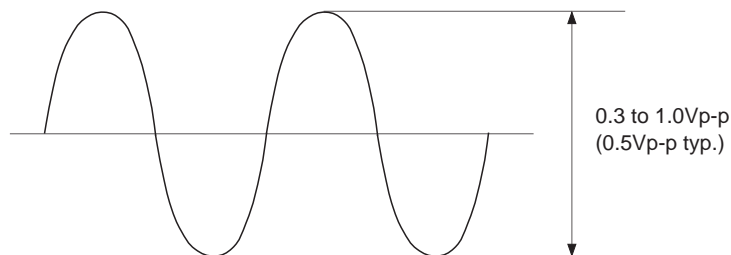
- (6) S/N ratio during a 50% white video signal input shown in figure below is tested at a video noise meter, in BPF 100kHz to 5MHz, Sub Carrier Trap mode.



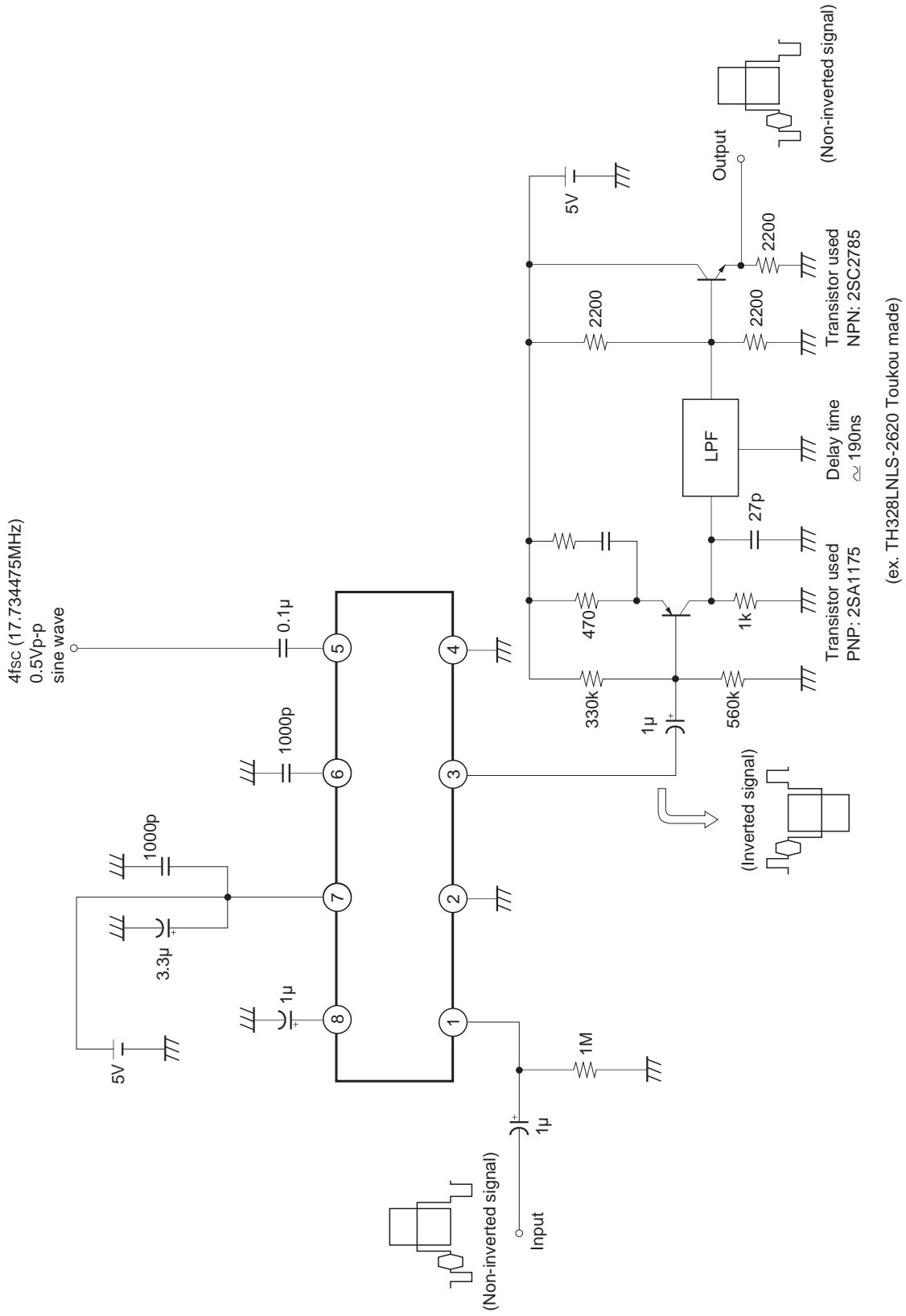
Input waveform

Clock

4fsc (17.734475MHz) sine wave



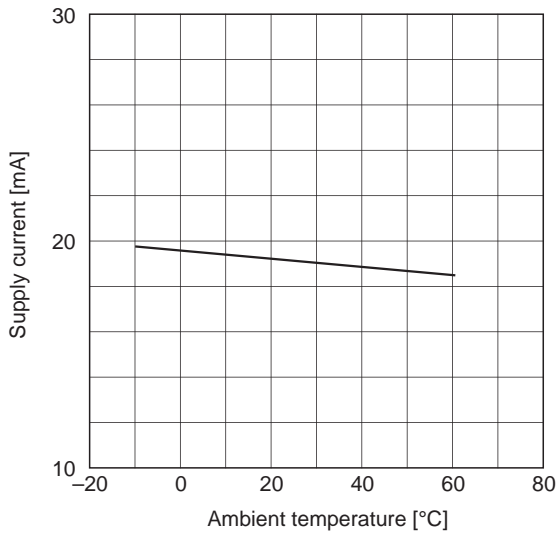
Application Circuit



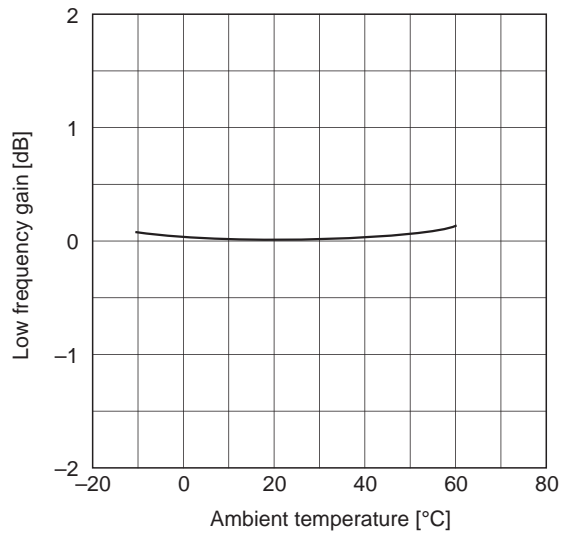
Application circuits shown are typical examples illustrating the operation of the devices. Sony cannot assume responsibility for any problems arising out of the use of these circuits or for any infringement of third party patent and other right due to same.

Example of Representative Characteristics

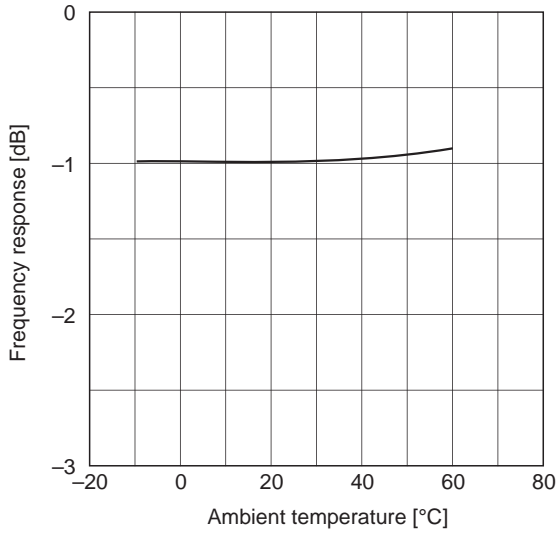
Supply current vs. Ambient temperature



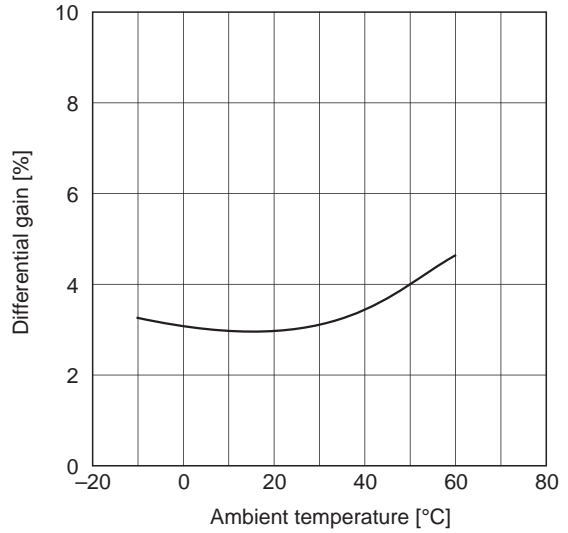
Low frequency gain vs. Ambient temperature



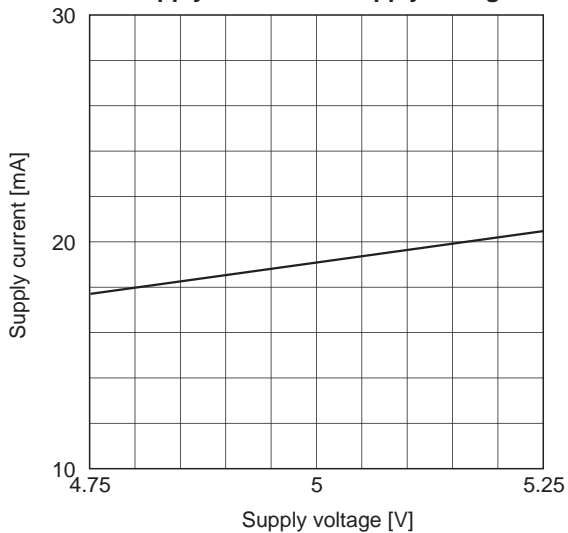
Frequency response vs. Ambient temperature



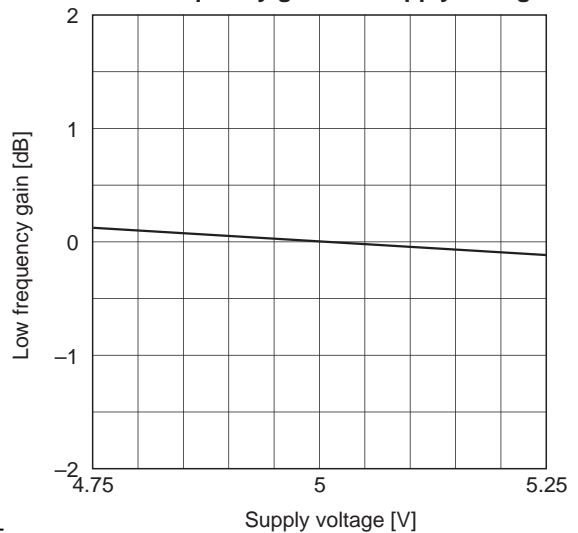
Differential gain vs. Ambient temperature

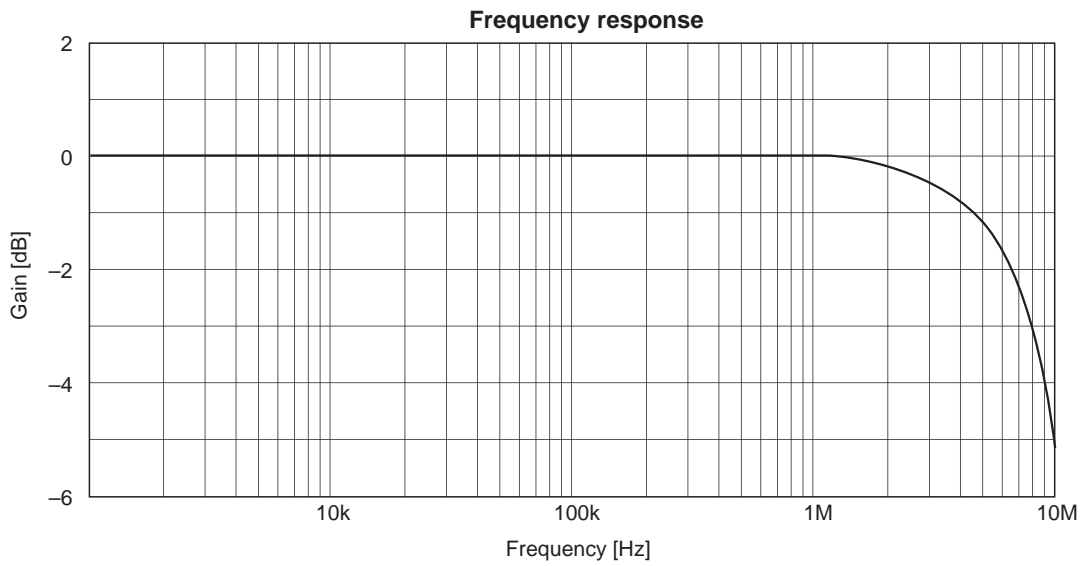
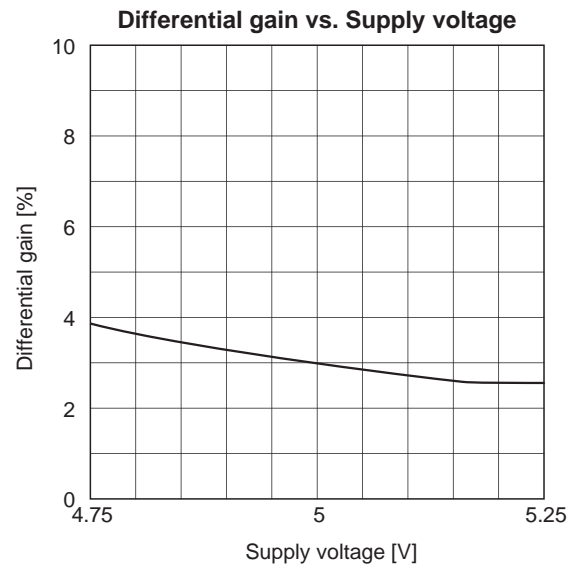
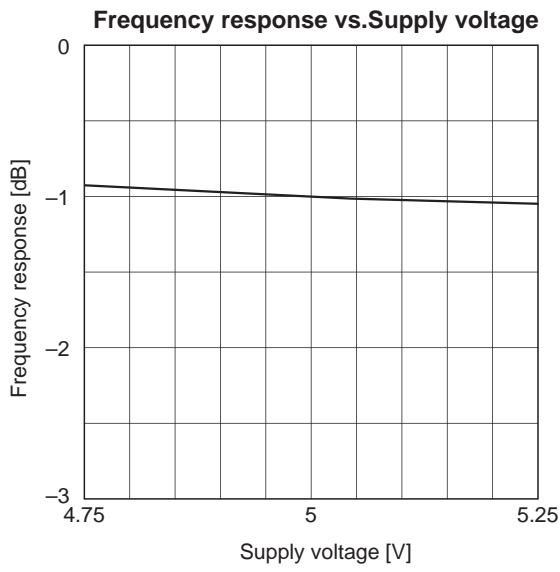


Supply current vs. Supply voltage



Low frequency gain vs. Supply voltage

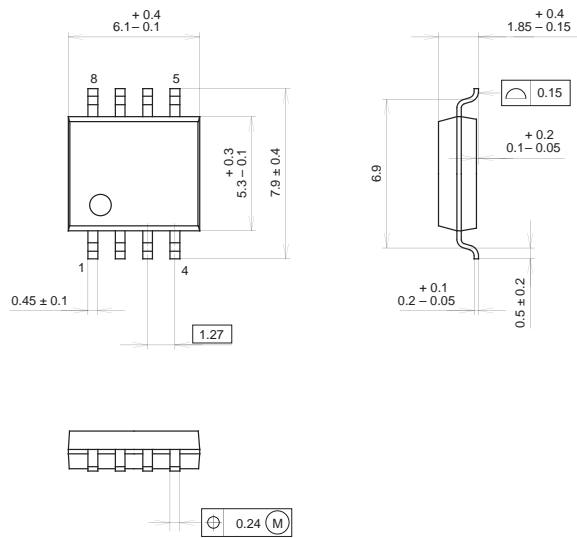




Package Outline Unit: mm

CXL5506M

8PIN SOP (PLASTIC)

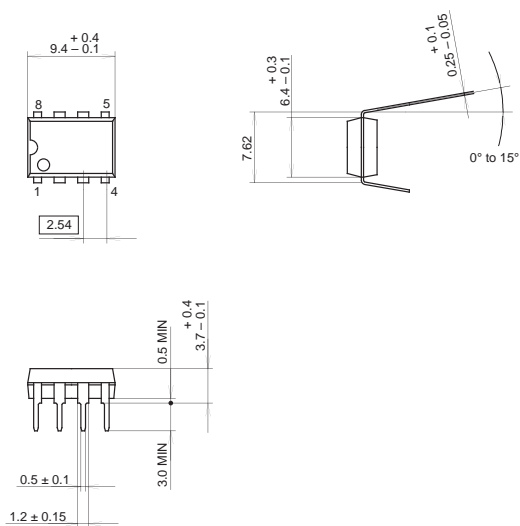


PACKAGE STRUCTURE

SONY CODE	SOP-8P-L01	PACKAGE MATERIAL	EPOXY RESIN
EIAJ CODE	SOP008-P-0300	LEAD TREATMENT	SOLDER PLATING
JEDEC CODE	---	LEAD MATERIAL	42/COPPER ALLOY
		PACKAGE MASS	0.1g

CXL5506P

8PIN DIP (PLASTIC)



PACKAGE STRUCTURE

SONY CODE	DIP-8P-01	PACKAGE MATERIAL	EPOXY RESIN
EIAJ CODE	DIP008-P-0300	LEAD TREATMENT	SOLDER PLATING
JEDEC CODE	---	LEAD MATERIAL	COPPER ALLOY
		PACKAGE MASS	0.5g

This datasheet has been downloaded from:

www.DatasheetCatalog.com

Datasheets for electronic components.



LittleDiode supplies new, hard to find or obsolete electronic components and semiconductors all over the world.

With over two million different components listed you are sure to find the part you need.

Feel free to visit us today at our online store:

LittleDiode.com

Looking forward to providing you with the best possible service.