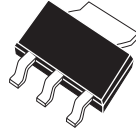


CZTA42 NPN
CZTA92 PNP

**SURFACE MOUNT
COMPLEMENTARY
HIGH VOLTAGE SILICON TRANSISTOR**



SOT-223 CASE

CentralTM
Semiconductor Corp.

DESCRIPTION:

The CENTRAL SEMICONDUCTOR CZTA42, CZTA92 types are complementary surface mount epoxy molded silicon planar epitaxial transistors designed for high voltage applications.

MARKING CODE: FULL PART NUMBER

MAXIMUM RATINGS: ($T_A=25^\circ\text{C}$)

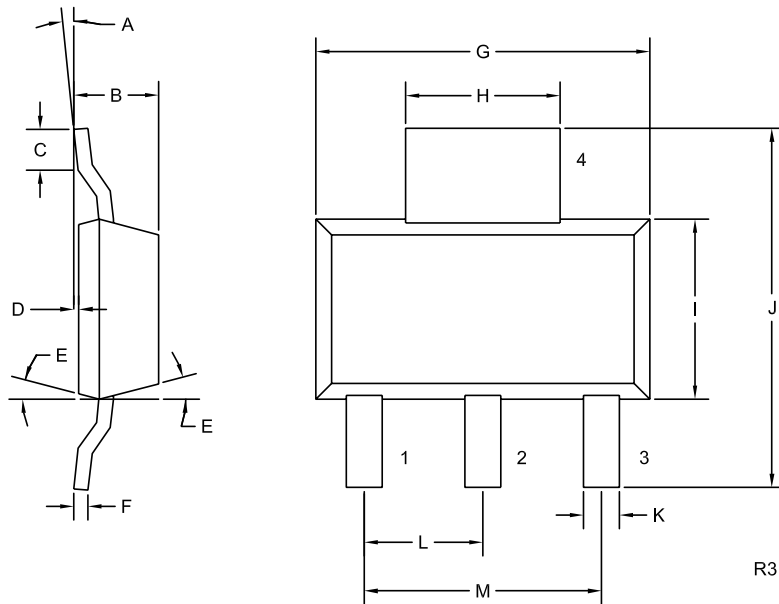
	SYMBOL	CZTA42	CZTA92	UNITS
Collector-Base Voltage	V_{CBO}	300	300	V
Collector-Emitter Voltage	V_{CEO}	300	300	V
Emitter-Base Voltage	V_{EBO}	6.0	5.0	V
Continuous Collector Current	I_C		500	mA
Power Dissipation	P_D		2.0	W
Operating and Storage				
Junction Temperature	T_J, T_{stg}	-65 to +150		$^\circ\text{C}$
Thermal Resistance	θ_{JA}	62.5		$^\circ\text{C/W}$

ELECTRICAL CHARACTERISTICS: ($T_A=25^\circ\text{C}$ unless otherwise noted)

SYMBOL	TEST CONDITIONS	CZTA42		CZTA92		UNITS
		MIN	MAX	MIN	MAX	
I_{CBO}	$V_{CB}=200\text{V}$		100		250	nA
I_{EBO}	$V_{BE}=6.0\text{V}$		100		-	nA
I_{EBO}	$V_{BE}=3.0\text{V}$		-		100	nA
BV_{CBO}	$I_C=100\mu\text{A}$	300		300		V
BV_{CEO}	$I_C=1.0\text{mA}$	300		300		V
BV_{EBO}	$I_E=100\mu\text{A}$	6.0		5.0		V
$V_{CE(SAT)}$	$I_C=20\text{mA}, I_B=2.0\text{mA}$		0.5		0.5	V
$V_{BE(SAT)}$	$I_C=20\text{mA}, I_B=2.0\text{mA}$		0.9		0.9	V
h_{FE}	$V_{CE}=10\text{V}, I_C=1.0\text{mA}$	25		25		
h_{FE}	$V_{CE}=10\text{V}, I_C=10\text{mA}$	40		40		
h_{FE}	$V_{CE}=10\text{V}, I_C=30\text{mA}$	40		25		
f_T	$V_{CE}=20\text{V}, I_C=10\text{mA}, f=100\text{MHz}$	50		50		MHz
C_{ob}	$V_{CB}=20\text{V}, I_E=0, f=1.0\text{MHz}$		3.0		6.0	pF

R2 (17-June 2004)

SOT-223 CASE - MECHANICAL OUTLINE



LEAD CODE:

- 1) BASE
- 2) COLLECTOR
- 3) EMITTER
- 4) COLLECTOR

**MARKING CODE:
FULL PART NUMBER**

SYMBOL	DIMENSIONS			
	INCHES		MILLIMETERS	
	MIN	MAX	MIN	MAX
A	0°	10°	0°	10°
B	0.059	0.071	1.50	1.80
C	0.018	---	0.45	---
D	0.000	0.004	0.00	0.10
E	15°		15°	
F	0.009	0.014	0.23	0.35
G	0.248	0.264	6.30	6.70
H	0.114	0.122	2.90	3.10
I	0.130	0.146	3.30	3.70
J	0.264	0.287	6.70	7.30
K	0.024	0.033	0.60	0.85
L	0.091		2.30	
M	0.181		4.60	

SOT-223 (REV: R3)

R2 (17-June 2004)



LittleDiode supplies new, hard to find or obsolete electronic components and semiconductors all over the world.

With over two million different components listed you are sure to find the part you need.

Feel free to visit us today at our online store:

LittleDiode.com

Looking forward to providing you with the best possible service.