

SHINDENGEN

Super Fast Recovery Rectifiers

Single

D8L60

600V 8A

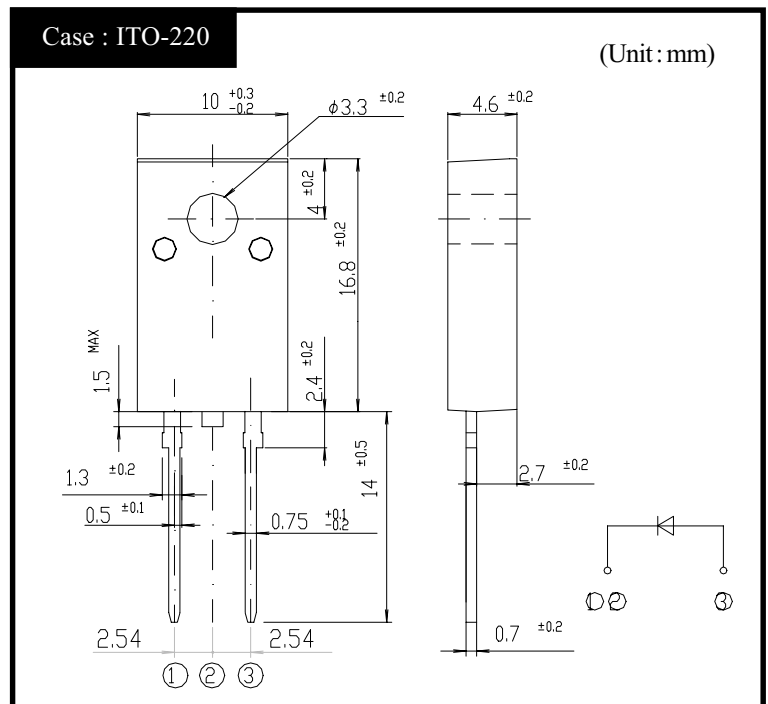
FEATURES

- High Voltage
- trr70ns
- Fully Isolated Molding

APPLICATION

- PFC
- Switching power supply
- Free Wheel
- CTV+B output, lighting

OUTLINE DIMENSIONS



RATINGS

● Absolute Maximum Ratings (If not specified Tc=25°C)

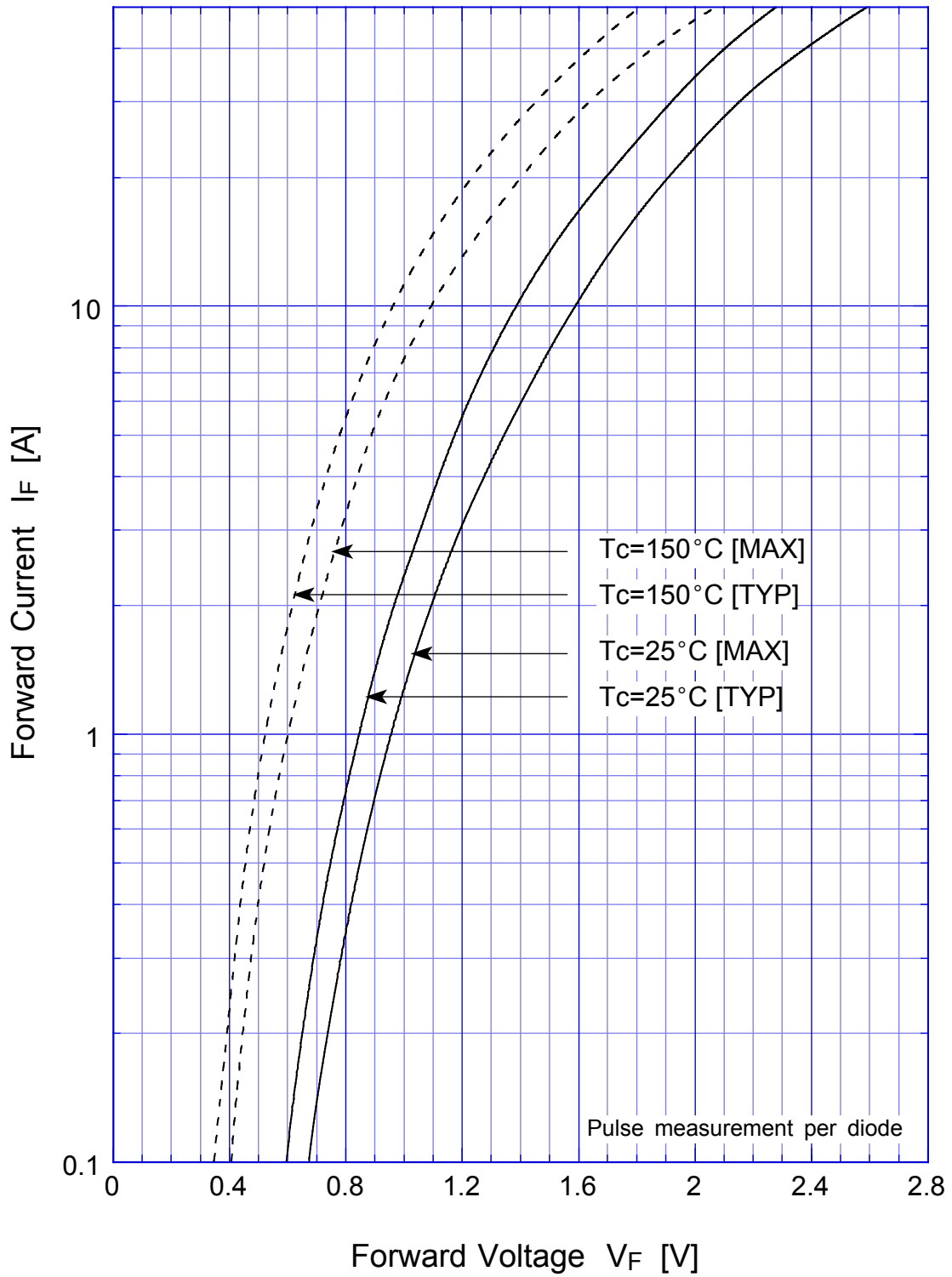
Item	Symbol	Conditions	Ratings	Unit
Storage Temperature	T _{stg}		-55~150	°C
Operating Junction Temperature	T _j		150	°C
Maximum Reverse Voltage	V _{RM}		600	V
Average Rectified Forward Current	I _O	50Hz sine wave, R-load, T _c =106°C	8	A
Peak Surge Forward Current	I _{FSM}	50Hz sine wave, Non-repetitive 1 cycle peak value, T _j =25°C	170	A
Dielectric Strength	V _{dis}	Terminals to case, AC 1 minute	1.5	kV
Mounting Torque	TOR	(Recommended torque: 0.3N·m)	0.5	N·m

● Electrical Characteristics (If not specified Tc=25°C)

Item	Symbol	Conditions	Ratings	Unit
Forward Voltage	V _F	I _F =8A, Pulse measurement	Max 1.5	V
Reverse Current	I _R	V _R =V _{RM} , Pulse measurement	Max 25	μA
Reverse Recovery Time	trr	I _F =0.5A, I _R =1A	Max 70	ns
Thermal Resistance	θ _{jc}	junction to case	Max 3.5	°C/W
	θ _{jf}	junction to heatsink (Reference value)	Max 5.0	

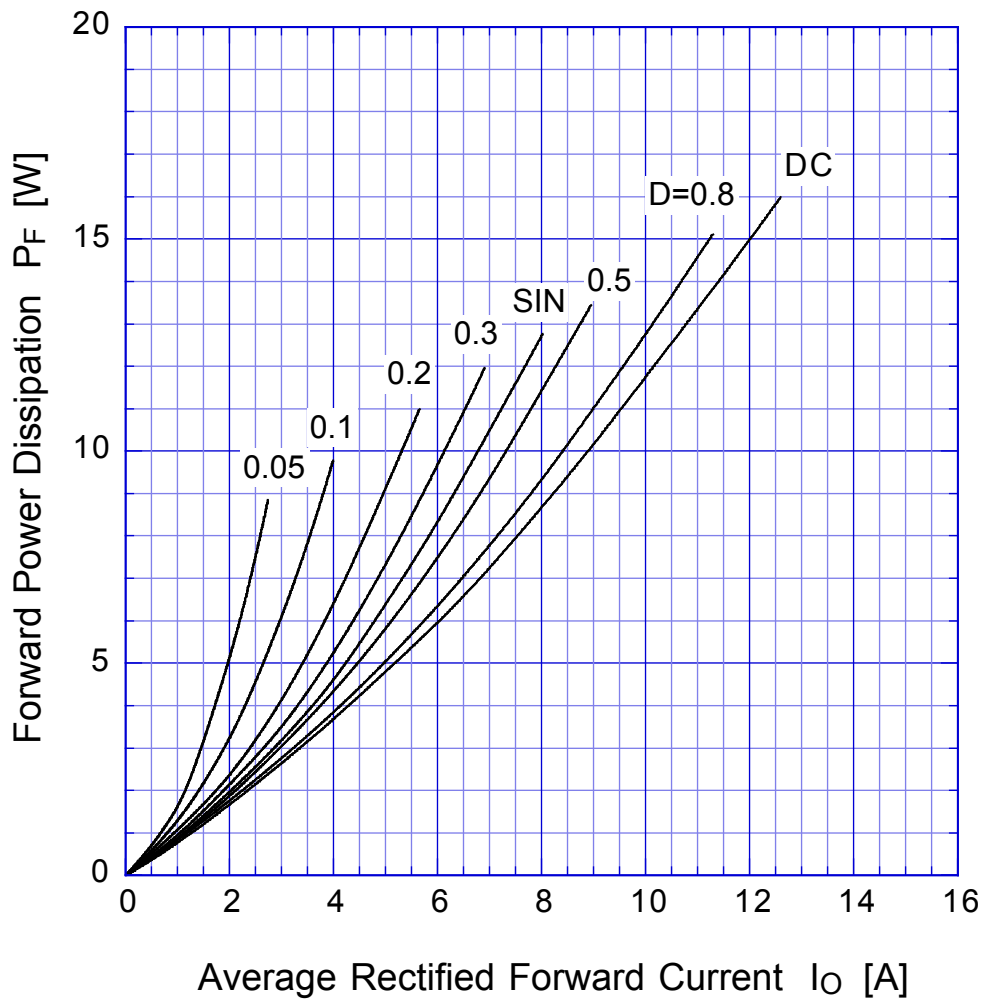
D8L60

Forward Voltage

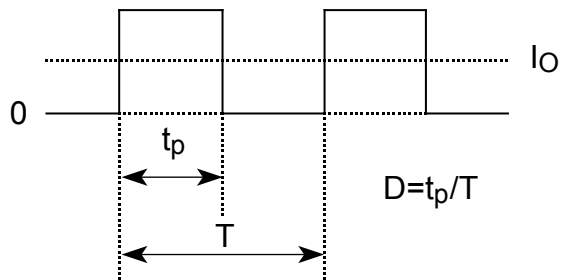


D8L60

Forward Power Dissipation

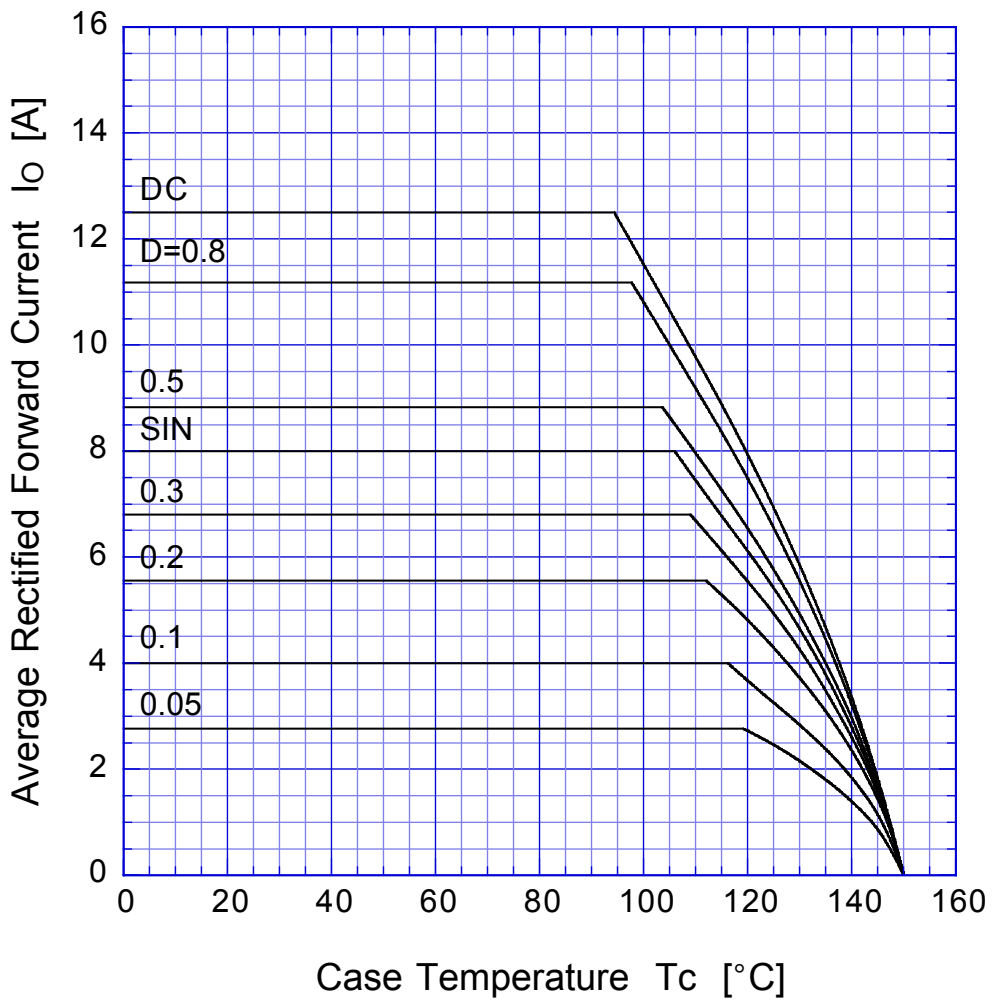


$T_j = T_{jmax}$

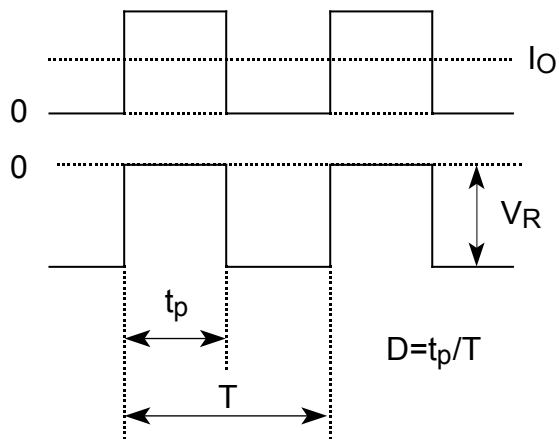


D8L60

Derating Curve

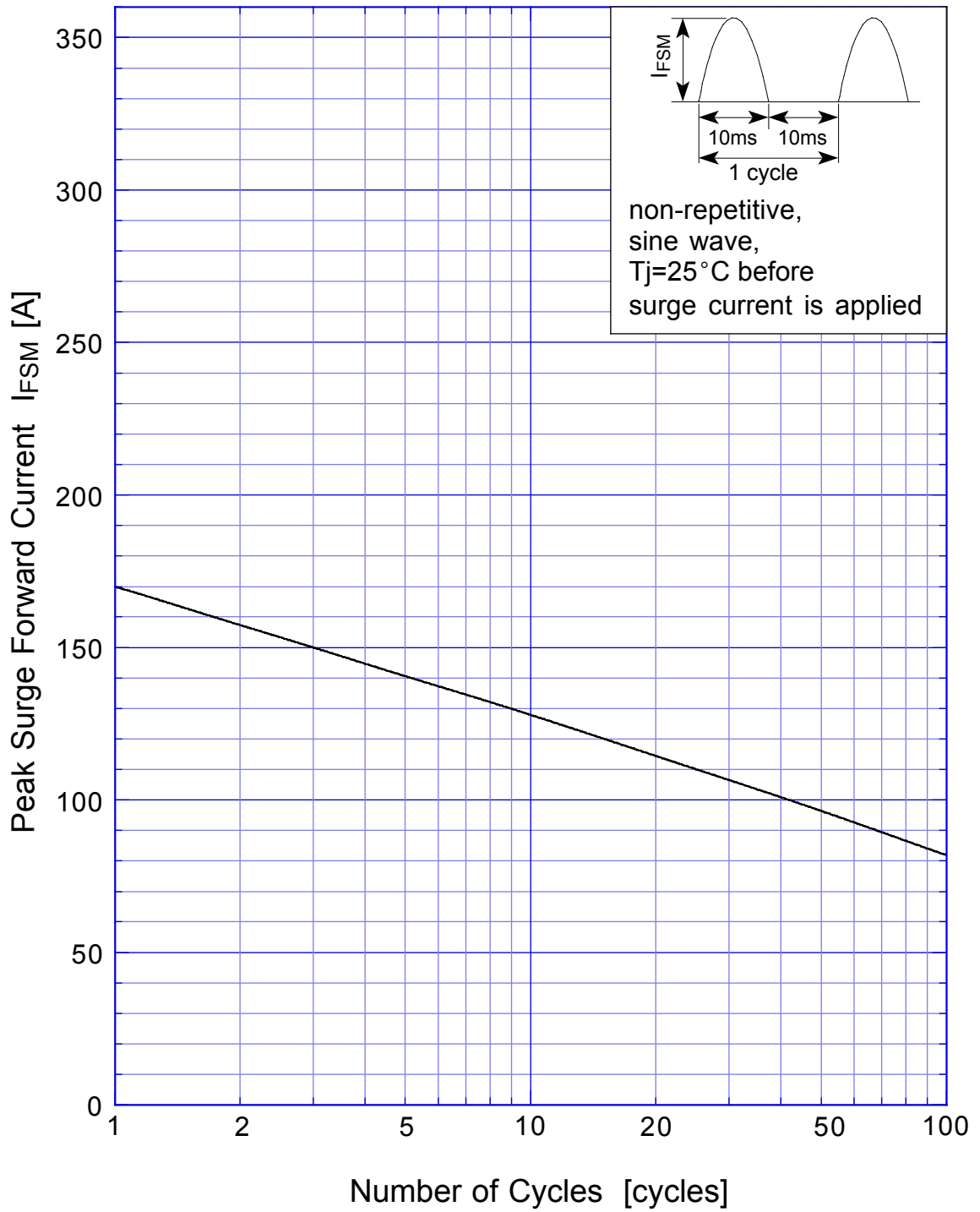


$$V_R = V_{RM}$$



D8L60

Peak Surge Forward Capability



D8L60

Junction Capacitance

