

## DAC0800/DAC0801/DAC0802 8-Bit Digital-to-Analog Converters

### General Description

The DAC0800 series are monolithic 8-bit high-speed current-output digital-to-analog converters (DAC) featuring typical settling times of 100 ns. When used as a multiplying DAC, monotonic performance over a 40 to 1 reference current range is possible. The DAC0800 series also features high compliance complementary current outputs to allow differential output voltages of 20 V<sub>p-p</sub> with simple resistor loads as shown in *Figure 1*. The reference-to-full-scale current matching of better than  $\pm 1$  LSB eliminates the need for full-scale trims in most applications while the nonlinearities of better than  $\pm 0.1\%$  over temperature minimizes system error accumulations.

The noise immune inputs of the DAC0800 series will accept TTL levels with the logic threshold pin, V<sub>LC</sub>, grounded. Changing the V<sub>LC</sub> potential will allow direct interface to other logic families. The performance and characteristics of the device are essentially unchanged over the full  $\pm 4.5$ V to  $\pm 18$ V power supply range; power dissipation is only 33 mW with  $\pm 5$ V supplies and is independent of the logic input states.

The DAC0800, DAC0802, DAC0800C, DAC0801C and DAC0802C are a direct replacement for the DAC-08, DAC-08A, DAC-08C, DAC-08E and DAC-08H, respectively.

### Features

- Fast settling output current 100 ns
- Full scale error  $\pm 1$  LSB
- Nonlinearity over temperature  $\pm 0.1\%$
- Full scale current drift  $\pm 10$  ppm/ $^{\circ}$ C
- High output compliance  $-10$ V to  $+18$ V
- Complementary current outputs
- Interface directly with TTL, CMOS, PMOS and others
- 2 quadrant wide range multiplying capability
- Wide power supply range  $\pm 4.5$ V to  $\pm 18$ V
- Low power consumption 33 mW at  $\pm 5$ V
- Low cost

### Typical Applications

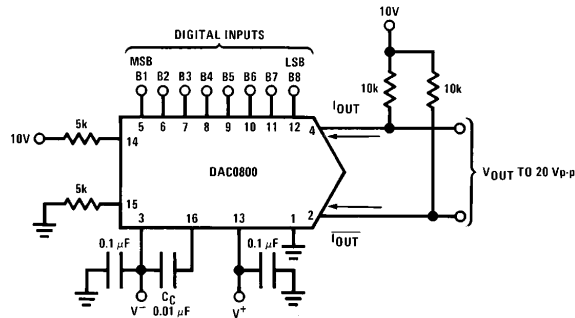


FIGURE 1.  $\pm 20$  V<sub>p-p</sub> Output Digital-to-Analog Converter (Note 4)

TL/H/5686-1

### Ordering Information

Non-Linearity	Temperature Range	Order Numbers				
		J Package (J16A)*		N Package (N16A)*		SO Package (M16A)
$\pm 0.1\%$ FS	$0^{\circ}\text{C} \leq T_A \leq +70^{\circ}\text{C}$	DAC0802LCJ	DAC-08HQ	DAC0802LCN	DAC-08HP	DAC0802LCM
$\pm 0.19\%$ FS	$-55^{\circ}\text{C} \leq T_A \leq +125^{\circ}\text{C}$	DAC0800LJ	DAC-08Q			
$\pm 0.19\%$ FS	$0^{\circ}\text{C} \leq T_A \leq +70^{\circ}\text{C}$	DAC0800LCJ	DAC-08EQ	DAC0800LCN	DAC-08EP	DAC0800LCM
$\pm 0.39\%$ FS	$0^{\circ}\text{C} \leq T_A \leq +70^{\circ}\text{C}$			DAC0801LCN	DAC-08CP	DAC0801LCM

\*Devices may be ordered by using either order number.

## Absolute Maximum Ratings (Note 1)

If Military/Aerospace specified devices are required, please contact the National Semiconductor Sales Office/Distributors for availability and specifications.

Supply Voltage ( $V^+ - V^-$ )	$\pm 18V$ or $36V$
Power Dissipation (Note 2)	500 mW
Reference Input Differential Voltage (V14 to V15)	$V^-$ to $V^+$
Reference Input Common-Mode Range (V14, V15)	$V^-$ to $V^+$
Reference Input Current	5 mA
Logic Inputs	$V^-$ to $V^-$ plus $36V$
Analog Current Outputs ( $V_{S^-} = -15V$ )	4.25 mA
ESD Susceptibility (Note 3)	TBD V
Storage Temperature	$-65^\circ C$ to $+150^\circ C$

Lead Temp. (Soldering, 10 seconds)	
Dual-In-Line Package (plastic)	$260^\circ C$
Dual-In-Line Package (ceramic)	$300^\circ C$
Surface Mount Package	
Vapor Phase (60 seconds)	$215^\circ C$
Infrared (15 seconds)	$220^\circ C$

## Operating Conditions (Note 1)

	Min	Max	Units
Temperature ( $T_A$ )			
DAC0800L	$-55$	$+125$	$^\circ C$
DAC0800LC	$0$	$+70$	$^\circ C$
DAC0801LC	$0$	$+70$	$^\circ C$
DAC0802LC	$0$	$+70$	$^\circ C$

**Electrical Characteristics** The following specifications apply for  $V_S = \pm 15V$ ,  $I_{REF} = 2$  mA and  $T_{MIN} \leq T_A \leq T_{MAX}$  unless otherwise specified. Output characteristics refer to both  $I_{OUT}$  and  $I_{OUT-}$ .

Symbol	Parameter	Conditions	DAC0802LC			DAC0800L/ DAC0800LC			DAC0801LC			Units
			Min	Typ	Max	Min	Typ	Max	Min	Typ	Max	
	Resolution		8	8	8	8	8	8	8	8	8	Bits
	Monotonicity		8	8	8	8	8	8	8	8	8	Bits
	Nonlinearity				$\pm 0.1$			$\pm 0.19$			$\pm 0.39$	%FS
$t_s$	Settling Time	To $\pm 1/2$ LSB, All Bits Switched "ON" or "OFF", $T_A = 25^\circ C$		100	135					100	150	ns
		DAC0800L					100	135				ns
		DAC0800LC					100	150				ns
$t_{PLH}$ , $t_{PHL}$	Propagation Delay Each Bit	$T_A = 25^\circ C$		35	60		35	60		35	60	ns
	All Bits Switched			35	60		35	60		35	60	ns
$TCI_{FS}$	Full Scale Tempco			$\pm 10$	$\pm 50$		$\pm 10$	$\pm 50$		$\pm 10$	$\pm 80$	ppm/ $^\circ C$
$V_{OC}$	Output Voltage Compliance	Full Scale Current Change $< 1/2$ LSB, $R_{OUT} > 20$ M $\Omega$ Typ	$-10$		18	$-10$		18	$-10$		18	V
$I_{FS4}$	Full Scale Current	$V_{REF} = 10.000V$ , $R14 = 5.000$ k $\Omega$ , $R15 = 5.000$ k $\Omega$ , $T_A = 25^\circ C$	1.984	1.992	2.000	1.94	1.99	2.04	1.94	1.99	2.04	mA
$I_{FS2}$	Full Scale Symmetry	$I_{FS4} - I_{FS2}$		$\pm 0.5$	$\pm 4.0$		$\pm 1$	$\pm 8.0$		$\pm 2$	$\pm 16$	$\mu A$
$I_{ZS}$	Zero Scale Current			0.1	1.0		0.2	2.0		0.2	4.0	$\mu A$
$I_{FSR}$	Output Current Range	$V^- = -5V$ $V^- = -8V$ to $-18V$	0	2.0	2.1	0	2.0	2.1	0	2.0	2.1	mA
			0	2.0	4.2	0	2.0	4.2	0	2.0	4.2	mA
$V_{IL}$ $V_{IH}$	Logic Input Levels Logic "0" Logic "1"	$V_{LC} = 0V$	2.0		0.8	2.0		0.8	2.0		0.8	V
$I_{IL}$ $I_{IH}$	Logic Input Current Logic "0" Logic "1"	$V_{LC} = 0V$ $-10V \leq V_{IN} \leq +0.8V$ $2V \leq V_{IN} \leq +18V$		$-2.0$ 0.002	$-10$ 10		$-2.0$ 0.002	$-10$ 10		$-2.0$ 0.002	$-10$ 10	$\mu A$ $\mu A$
$V_{IS}$	Logic Input Swing	$V^- = -15V$	$-10$		18	$-10$		18	$-10$		18	V
$V_{THR}$	Logic Threshold Range	$V_S = \pm 15V$	$-10$		13.5	$-10$		13.5	$-10$		13.5	V
$I_{15}$	Reference Bias Current			$-1.0$	$-3.0$		$-1.0$	$-3.0$		$-1.0$	$-3.0$	$\mu A$
$dl/dt$	Reference Input Slew Rate	(Figure 12)	4.0	8.0		4.0	8.0		4.0	8.0		mA/ $\mu s$
$PSSI_{FS+}$ $PSSI_{FS-}$	Power Supply Sensitivity	$4.5V \leq V^+ \leq 18V$ $-4.5V \leq V^- \leq 18V$ $I_{REF} = 1$ mA		0.0001	0.01		0.0001	0.01		0.0001	0.01	%/%
$I^+$ $I^-$	Power Supply Current	$V_S = \pm 5V$ , $I_{REF} = 1$ mA		2.3 $-4.3$	3.8 $-5.8$		2.3 $-4.3$	3.8 $-5.8$		2.3 $-4.3$	3.8 $-5.8$	mA mA
$I^+$ $I^-$		$V_S = 5V$ , $-15V$ , $I_{REF} = 2$ mA		2.4 $-6.4$	3.8 $-7.8$		2.4 $-6.4$	3.8 $-7.8$		2.4 $-6.4$	3.8 $-7.8$	mA mA
$I^+$ $I^-$		$V_S = \pm 15V$ , $I_{REF} = 2$ mA		2.5 $-6.5$	3.8 $-7.8$		2.5 $-6.5$	3.8 $-7.8$		2.5 $-6.5$	3.8 $-7.8$	mA mA

## Electrical Characteristics (Continued)

The following specifications apply for  $V_S = \pm 15V$ ,  $I_{REF} = 2\text{ mA}$  and  $T_{MIN} \leq T_A \leq T_{MAX}$  unless otherwise specified. Output characteristics refer to both  $I_{OUT}$  and  $\overline{I_{OUT}}$ .

Symbol	Parameter	Conditions	DAC0802LC			DAC0800L/ DAC0800LC			DAC0801LC			Units
			Min	Typ	Max	Min	Typ	Max	Min	Typ	Max	
$P_D$	Power Dissipation	$\pm 5V$ , $I_{REF} = 1\text{ mA}$ $5V$ , $-15V$ , $I_{REF} = 2\text{ mA}$ $\pm 15V$ , $I_{REF} = 2\text{ mA}$		33	48		33	48		33	48	mW
				108	136		108	136		108	136	mW
				135	174		135	174		135	174	mW

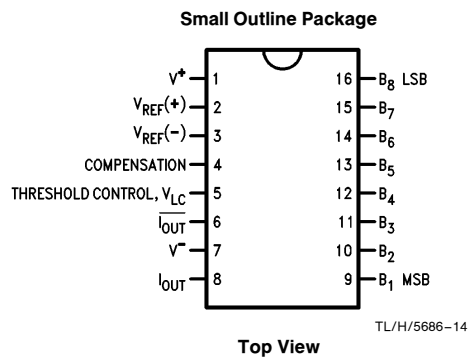
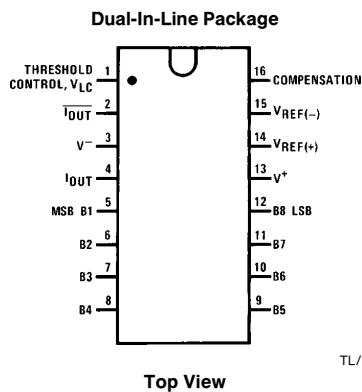
**Note 1:** Absolute Maximum Ratings indicate limits beyond which damage to the device may occur. DC and AC electrical specifications do not apply when operating the device beyond its specified operating conditions.

**Note 2:** The maximum junction temperature of the DAC0800, DAC0801 and DAC0802 is 125°C. For operating at elevated temperatures, devices in the Dual-In-Line J package must be derated based on a thermal resistance of 100°C/W, junction-to-ambient, 175°C/W for the molded Dual-In-Line N package and 100°C/W for the Small Outline M package.

**Note 3:** Human body model, 100 pF discharged through a 1.5 kΩ resistor.

**Note 4:** Pin-out numbers for the DAC080X represent the Dual-In-Line package. The Small Outline package pin-out differs from the Dual-In-Line package.

## Connection Diagrams

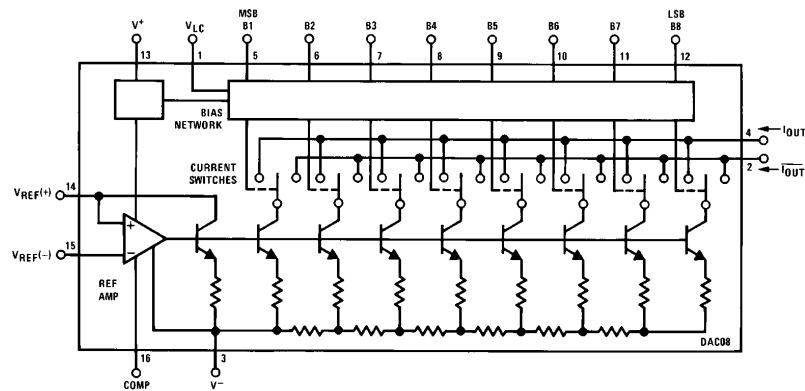


TL/H/5686-13

Top View

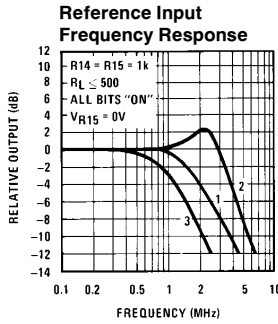
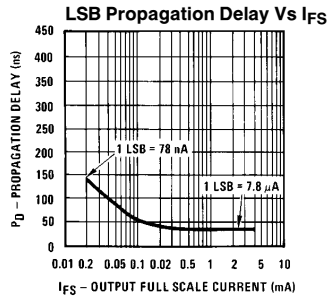
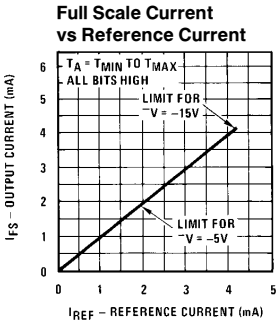
See Ordering Information

## Block Diagram (Note 4)

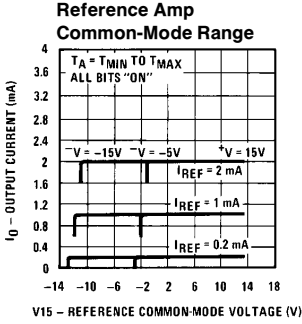


TL/H/5686-2

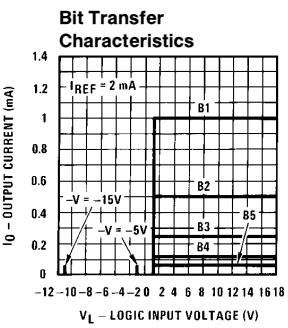
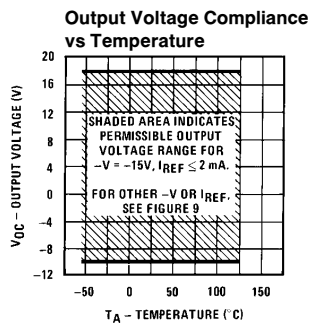
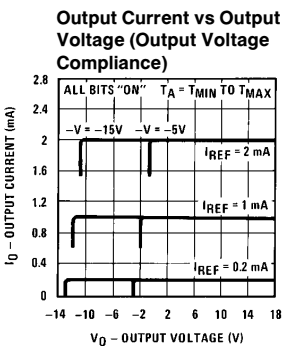
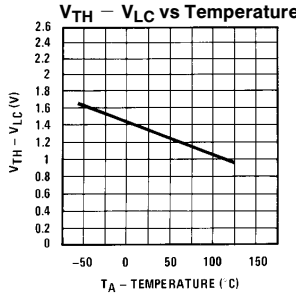
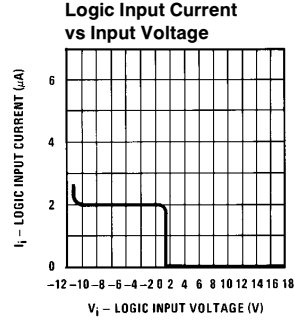
# Typical Performance Characteristics



**Curve 1:**  $C_C = 15$  pF,  $V_{IN} = 2$  Vp-p centered at 1V.  
**Curve 2:**  $C_C = 15$  pF,  $V_{IN} = 50$  mVp-p centered at 200 mV.  
**Curve 3:**  $C_C = 0$  pF,  $V_{IN} = 100$  mVp-p at 0V and applied through 50  $\Omega$  connected to pin 14. 2V applied to pin 14.



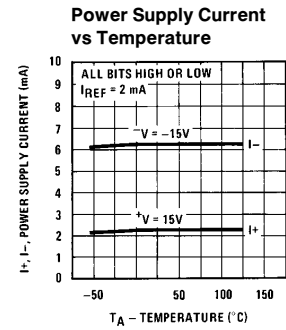
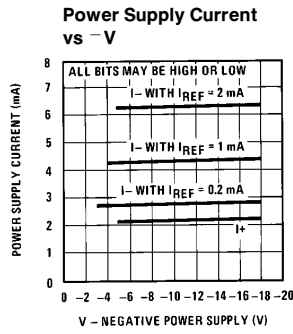
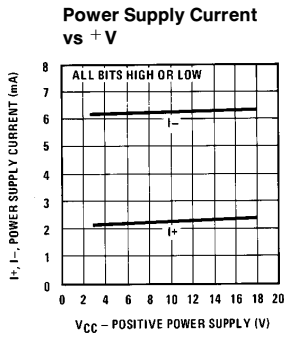
Note. Positive common-mode range is always  $(V+) - 1.5V$



TL/H/5686-3

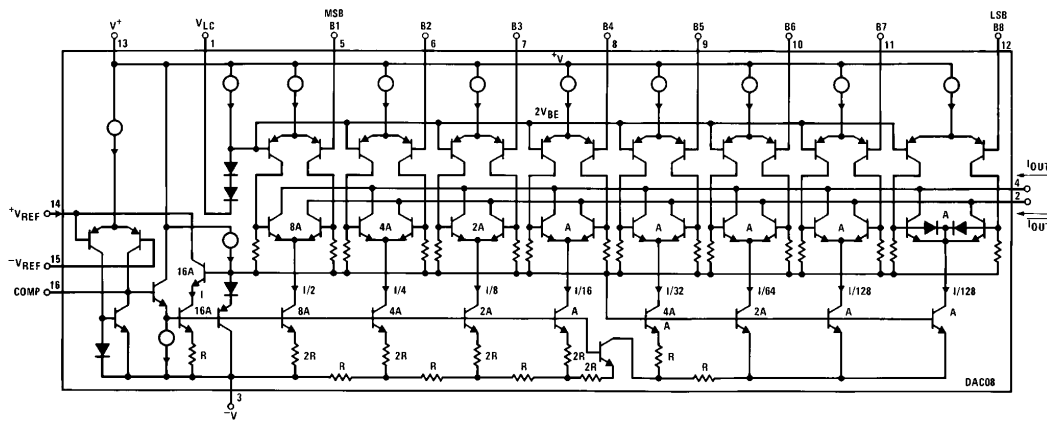
Note. B1-B8 have identical transfer characteristics. Bits are fully switched with less than 1/2 LSB error, at less than  $\pm 100$  mV from actual threshold. These switching points are guaranteed to lie between 0.8 and 2V over the operating temperature range ( $V_{LC} = 0V$ ).

## Typical Performance Characteristics (Continued)



TL/H/5686-4

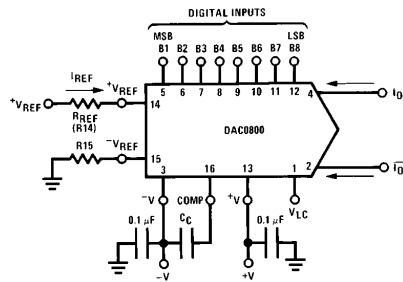
## Equivalent Circuit



TL/H/5686-15

FIGURE 2

## Typical Applications (Continued)



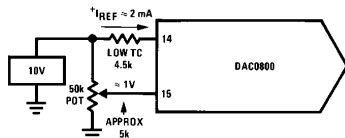
$$I_{FS} \approx \frac{+V_{REF}}{R_{REF}} \times \frac{255}{256}$$

$$I_0 + \bar{I}_0 = I_{FS} \text{ for all logic states}$$

For fixed reference, TTL operation, typical values are:

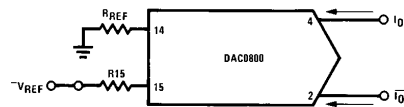
- $V_{REF} = 10.000V$
- $R_{REF} = 5.000k$
- $R_{15} \approx R_{REF}$
- $C_c = 0.01 \mu F$
- $V_{LC} = 0V \text{ (Ground)}$

FIGURE 3. Basic Positive Reference Operation (Note 4)



TL/H/5686-21

FIGURE 4. Recommended Full Scale Adjustment Circuit (Note 4)



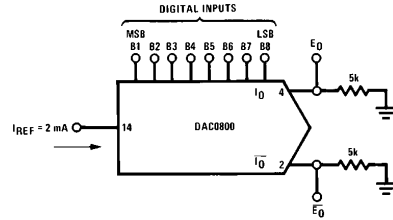
TL/H/5686-16

$$I_{FS} \approx \frac{-V_{REF}}{R_{REF}} \times \frac{255}{256}$$

Note.  $R_{REF}$  sets  $I_{FS}$ ;  $R_{15}$  is for bias current cancellation

FIGURE 5. Basic Negative Reference Operation (Note 4)

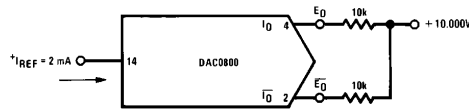
## Typical Applications (Continued)



TL/H/5686-17

	B1	B2	B3	B4	B5	B6	B7	B8	IO mA	IO-bar mA	EO	EO-bar
Full Scale	1	1	1	1	1	1	1	1	1.992	0.000	-9.960	0.000
Full Scale - LSB	1	1	1	1	1	1	1	0	1.984	0.008	-9.920	-0.040
Half Scale + LSB	1	0	0	0	0	0	0	1	1.008	0.984	-5.040	-4.920
Half Scale	1	0	0	0	0	0	0	0	1.000	0.992	-5.000	-4.960
Half Scale - LSB	0	1	1	1	1	1	1	1	0.992	1.000	-4.960	-5.000
Zero Scale + LSB	0	0	0	0	0	0	0	1	0.008	1.984	-0.040	-9.920
Zero Scale	0	0	0	0	0	0	0	0	0.000	1.992	0.000	-9.960

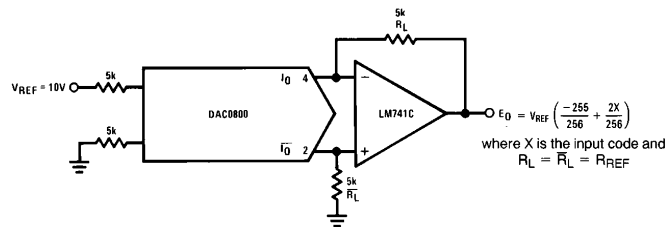
FIGURE 6. Basic Unipolar Negative Operation (Note 4)



TL/H/5686-6

	B1	B2	B3	B4	B5	B6	B7	B8	EO	EO-bar
Pos. Full Scale	1	1	1	1	1	1	1	1	-9.920	+10.000
Pos. Full Scale - LSB	1	1	1	1	1	1	1	0	-9.840	+9.920
Zero Scale + LSB	1	0	0	0	0	0	0	1	-0.080	+0.160
Zero Scale	1	0	0	0	0	0	0	0	0.000	+0.080
Zero Scale - LSB	0	1	1	1	1	1	1	1	+0.080	0.000
Neg. Full Scale + LSB	0	0	0	0	0	0	0	1	+9.920	-9.840
Neg. Full Scale	0	0	0	0	0	0	0	0	+10.000	-9.920

FIGURE 7. Basic Bipolar Output Operation (Note 4)



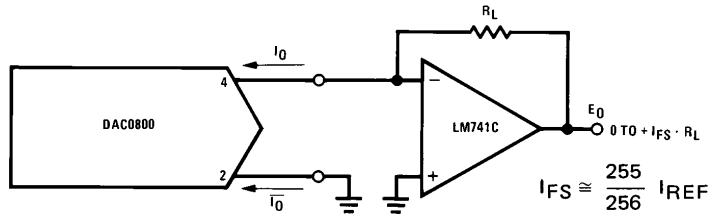
TL/H/5686-18

If  $R_L = \bar{R}_L$  within  $\pm 0.05\%$ , output is symmetrical about ground

	B1	B2	B3	B4	B5	B6	B7	B8	EO
Pos. Full Scale	1	1	1	1	1	1	1	1	+9.960
Pos. Full Scale - LSB	1	1	1	1	1	1	1	0	+9.880
(+)Zero Scale	1	0	0	0	0	0	0	0	+0.040
(-)Zero Scale	0	1	1	1	1	1	1	1	-0.040
Neg. Full Scale + LSB	0	0	0	0	0	0	0	1	-9.880
Neg. Full Scale	0	0	0	0	0	0	0	0	-9.960

FIGURE 8. Symmetrical Offset Binary Operation (Note 4)

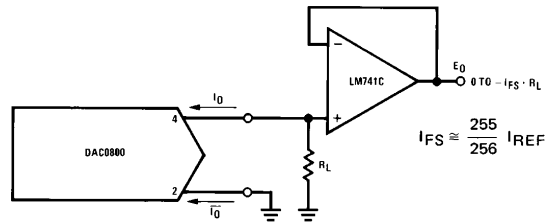
## Typical Applications (Continued)



TL/H/5686-19

For complementary output (operation as negative logic DAC), connect inverting input of op amp to  $\overline{I}_O$  (pin 2), connect  $I_O$  (pin 4) to ground.

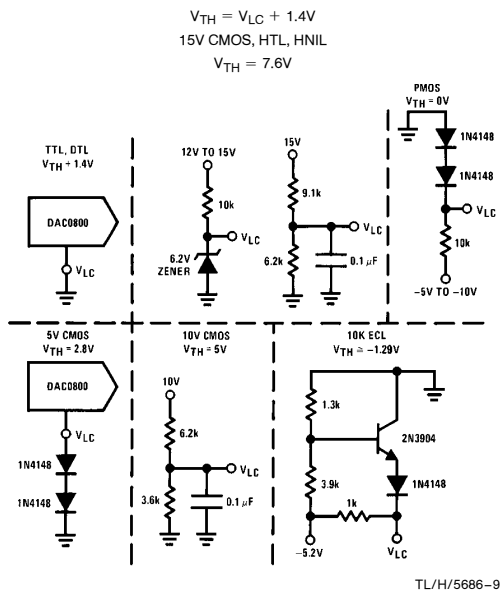
**FIGURE 9. Positive Low Impedance Output Operation (Note 4)**



TL/H/5686-20

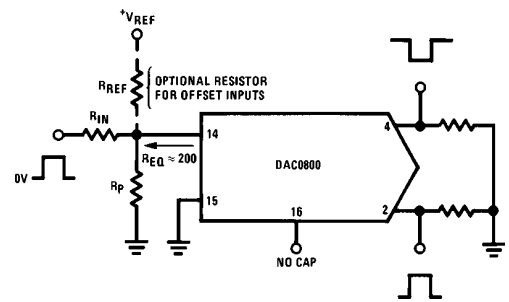
For complementary output (operation as a negative logic DAC) connect non-inverting input of op am to  $\overline{I}_O$  (pin 2); connect  $I_O$  (pin 4) to ground.

**FIGURE 10. Negative Low Impedance Output Operation (Note 4)**



Note. Do not exceed negative logic input range of DAC.

**FIGURE 11. Interfacing with Various Logic Families**



TL/H/5686-10

Typical values:  $R_{IN} = 5k$ ,  $V_{IN} = 10V$

**FIGURE 12. Pulsed Reference Operation (Note 4)**

## Typical Applications (Continued)

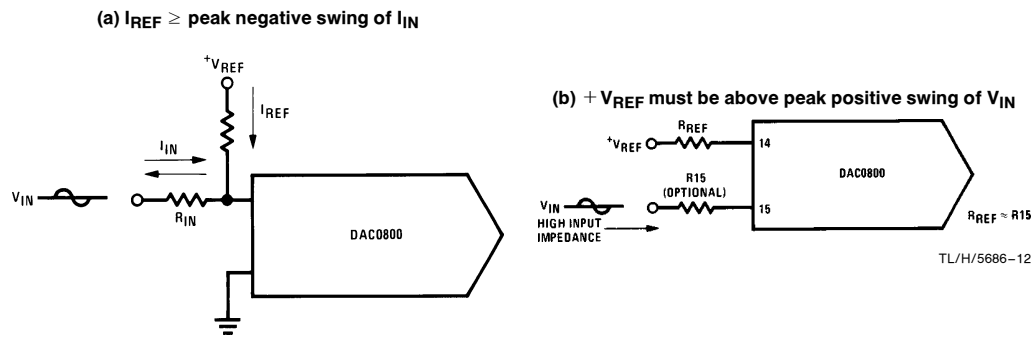


FIGURE 13. Accommodating Bipolar References (Note 4)

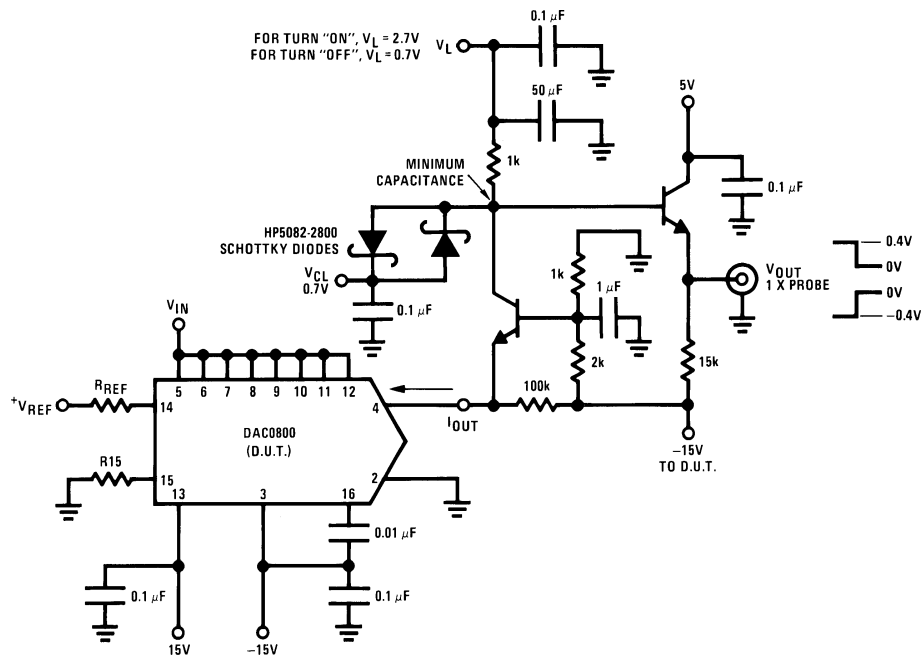


FIGURE 14. Settling Time Measurement (Note 4)

## Typical Applications (Continued)

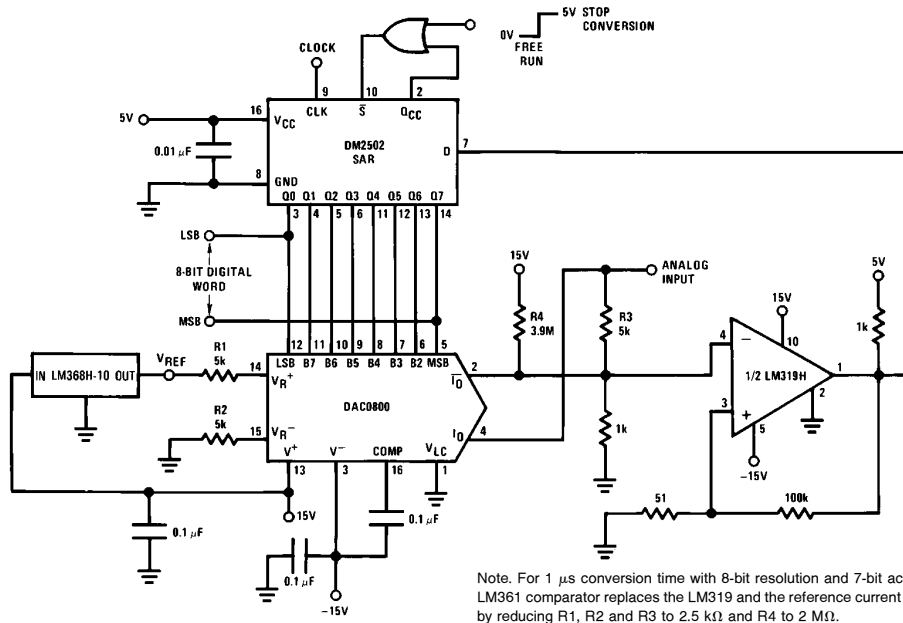
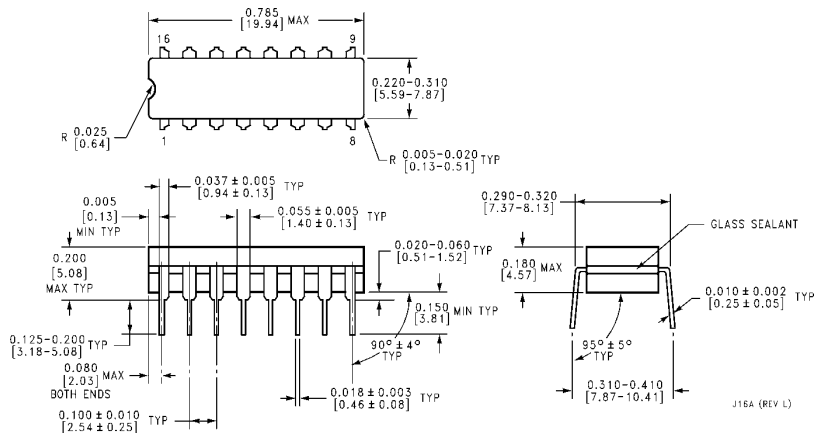


FIGURE 15. A Complete 2  $\mu$ s Conversion Time, 8-Bit A/D Converter (Note 4)

TL/H/5686-8

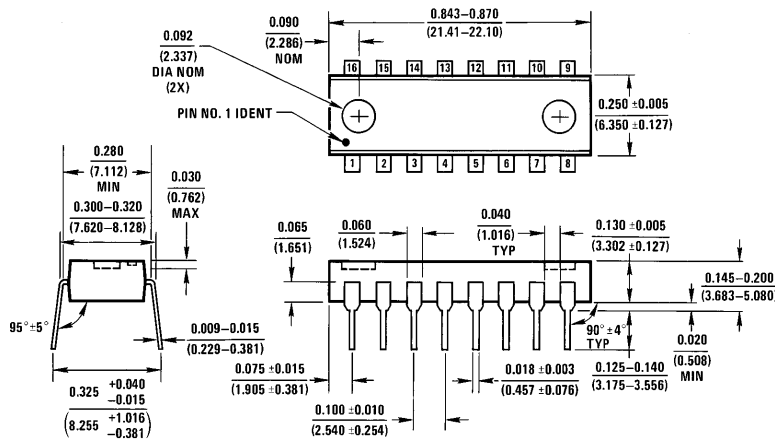
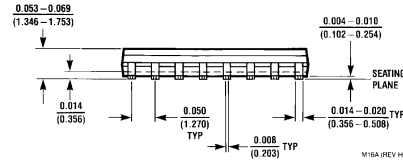
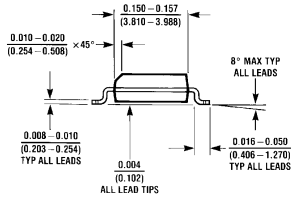
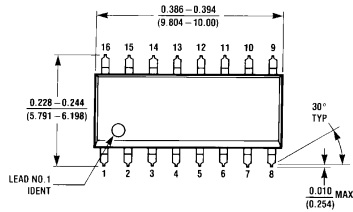
## Physical Dimensions inches (millimeters)



**Molded Dual-In-Line Package**  
**Order Numbers DAC0800 or DAC0802**  
**NS Package Number J16A**

**Physical Dimensions** inches (millimeters) (Continued)

**Molded Small Outline Package (SO)**  
**Order Numbers DAC0800LCM,**  
**DAC0801LCM or DAC0802LCM**  
**NS Package Number M16A**



**Molded Dual-In-Line Package**  
**Order Numbers DAC0800, DAC0801, DAC0802**  
**NS Package Number N16A**

**LIFE SUPPORT POLICY**

NATIONAL'S PRODUCTS ARE NOT AUTHORIZED FOR USE AS CRITICAL COMPONENTS IN LIFE SUPPORT DEVICES OR SYSTEMS WITHOUT THE EXPRESS WRITTEN APPROVAL OF THE PRESIDENT OF NATIONAL SEMICONDUCTOR CORPORATION. As used herein:

1. Life support devices or systems are devices or systems which, (a) are intended for surgical implant into the body, or (b) support or sustain life, and whose failure to perform, when properly used in accordance with instructions for use provided in the labeling, can be reasonably expected to result in a significant injury to the user.
2. A critical component is any component of a life support device or system whose failure to perform can be reasonably expected to cause the failure of the life support device or system, or to affect its safety or effectiveness.



**National Semiconductor Corporation**  
 1111 West Bardin Road  
 Arlington, TX 76017  
 Tel: 1(800) 272-9959  
 Fax: 1(800) 737-7018

**National Semiconductor Europe**  
 Fax: (+49) 0-180-530 85 86  
 Email: cnjwge@tevm2.nsc.com  
 Deutsch Tel: (+49) 0-180-530 85 85  
 English Tel: (+49) 0-180-532 78 32  
 Français Tel: (+49) 0-180-532 93 58  
 Italiano Tel: (+49) 0-180-534 16 80

**National Semiconductor Hong Kong Ltd.**  
 19th Floor, Straight Block,  
 Ocean Centre, 5 Canton Rd.  
 Tsimshatsui, Kowloon  
 Hong Kong  
 Tel: (852) 2737-1600  
 Fax: (852) 2736-9960

**National Semiconductor Japan Ltd.**  
 Tel: 81-043-299-2309  
 Fax: 81-043-299-2408

National does not assume any responsibility for use of any circuitry described, no circuit patent licenses are implied and National reserves the right at any time without notice to change said circuitry and specifications.

# National Semiconductor was acquired by Texas Instruments.

[http://www.ti.com/corp/docs/investor\\_relations/pr\\_09\\_23\\_2011\\_national\\_semiconductor.html](http://www.ti.com/corp/docs/investor_relations/pr_09_23_2011_national_semiconductor.html)

This file is the datasheet for the following electronic components:

DAC0800 - <http://www.ti.com/product/dac0800?HQS=TI-null-null-dscatalog-df-pf-null-ww>

DAC0802 - <http://www.ti.com/product/dac0802?HQS=TI-null-null-dscatalog-df-pf-null-ww>

DAC0801 - <http://www.ti.com/product/dac0801?HQS=TI-null-null-dscatalog-df-pf-null-ww>



LittleDiode supplies new, hard to find or obsolete electronic components and semiconductors all over the world.

With over two million different components listed you are sure to find the part you need.

Feel free to visit us today at our online store:

**[LittleDiode.com](http://LittleDiode.com)**

Looking forward to providing you with the best possible service.