



DAC7541A

Low Cost 12-Bit CMOS Four-Quadrant Multiplying DIGITAL-TO-ANALOG CONVERTER

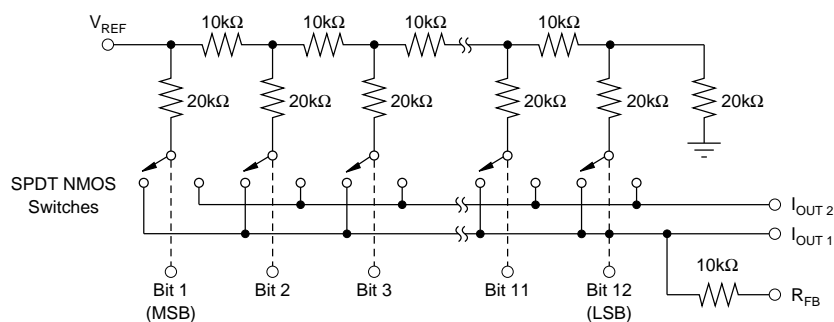
FEATURES

- FULL FOUR-QUADRANT MULTIPLICATION
- 12-BIT END-POINT LINEARITY
- DIFFERENTIAL LINEARITY $\pm 1/2$ LSB MAX OVER TEMPERATURE
- MONOTONICITY GUARANTEED OVER TEMPERATURE
- TTL-/CMOS-COMPATIBLE
- SINGLE +5V TO +15V SUPPLY
- LATCH-UP RESISTANT
- 7521/7541/7541A REPLACEMENT
- PACKAGES: Plastic DIP, Plastic SOIC
- LOW COST

DESCRIPTION

The Burr-Brown DAC7541A is a low cost 12-bit, four-quadrant multiplying digital-to-analog converter. Laser-trimmed thin-film resistors on a monolithic CMOS circuit provide true 12-bit integral and differential linearity over the full specified temperature range.

DAC7541A is a direct, improved pin-for-pin replacement for 7521, 7541, and 7541A industry standard parts. In addition to a standard 18-pin plastic package, the DAC7541A is also available in a surface-mount plastic 18-pin SOIC.



Digital Inputs (DTL-/TTL-/CMOS-compatible)

Logic: A switch is closed to I_{OUT1} for its digital input in a "HIGH" state.

Switches shown for digital inputs "HIGH".

International Airport Industrial Park • Mailing Address: PO Box 11400 • Tucson, AZ 85734 • Street Address: 6730 S. Tucson Blvd. • Tucson, AZ 85706
Tel: (520) 746-1111 • Twx: 910-952-1111 • Cable: BBRCORP • Telex: 066-6491 • FAX: (520) 889-1510 • Immediate Product Info: (800) 548-6132

SPECIFICATIONS

ELECTRICAL

At +25°C, +V_{DD} = +12V or +15V, V_{REF} = +10V, V_{PIN1} = V_{PIN2} = 0V, unless otherwise specified.

| PARAMETER | DAC7541A | | | | TEST CONDITIONS/COMMENTS |
|--|----------|------------------------|---|-------------------|--|
| | GRADE | T _A = +25°C | T _A = T _{MAX} , T _{MIN} ⁽¹⁾ | UNITS | |
| ACCURACY | | | | | |
| Resolution | All | 12 | 12 | Bits | ±1LSB = ±0.024% of FSR. ±1/2LSB = ±0.012% of FSR. All grades guaranteed monotonic to 12 bits, T _{MIN} to T _{MAX} . Measured using internal R _{FB} and includes effect of leakage current and gain T.C. Gain error can be trimmed to zero. |
| Relative Accuracy | J | ±1 | ±1 | LSB max | |
| | K | ±1/2 | ±1/2 | LSB max | |
| Differential Non-linearity | J | ±1 | ±1 | LSB max | |
| | K | ±1/2 | ±1/2 | LSB max | |
| Gain Error | J | ±6 | ±8 | LSB max | |
| | K | ±1 | ±3 | LSB max | |
| Gain Temperature Coefficient (ΔGain/ΔTemperature) | ALL | | 5 | ppm/°C max | Typical value is 2ppm/°C. |
| Output Leakage Current: Out ₁ (Pin 1) | J, K | ±5 | ±10 | nA max | All digital inputs = 0V. |
| Out ₂ (Pin 2) | J, K | ±5 | ±10 | nA max | All digital inputs = V _{DD} . |
| REFERENCE INPUT | | | | | |
| Voltage (Pin 17 to GND) | All | -10/+10 | -10/+10 | V min/max | Typical input resistance = 11kΩ. Typical input resistance temperature coefficient is -50ppm/°C. |
| Input Resistance (Pin 17 to GND) | All | 7-18 | 7-18 | kΩ min/max | |
| DIGITAL INPUTS | | | | | |
| V _{IN} (Input HIGH Voltage) | All | 2.4 | 2.4 | V min | Logic inputs are MOS gates. I _{IN} typ (25°C) = 1nA V _{IN} = 0V |
| V _{IL} (Input LOW Voltage) | All | 0.8 | 0.8 | V max | |
| I _{IN} (Input Current) | All | ±1 | ±1 | μA max | |
| C _{IN} (Input Capacitance) ⁽²⁾ | All | 8 | 8 | pF max | |
| POWER SUPPLY REJECTION | | | | | |
| ΔGain/ΔV _{DD} | All | ±0.01 | ±0.02 | % per % max | V _{DD} = +11.4V to +16V |
| POWER SUPPLY | | | | | |
| V _{DD} Range | All | +5 to +16 | +5 to +16 | V min to V max | Accuracy is not guaranteed over this range. |
| I _{DD} | All | 2 | 2 | mA max | All digital inputs V _{IL} or V _{IN} . All digital inputs 0V or V _{DD} . |
| | All | 100 | 500 | μA max | |

NOTES: (1) Temperature ranges are: = 0°C to + 70°C for JP, KP, JU and KU versions. (2) Guaranteed by design but not production tested.

AC PERFORMANCE CHARACTERISTICS

These characteristics are included for design guidance only and are not production tested.

V_{DD} = +15V, V_{REF} = +10V except where stated, V_{PIN1} = V_{PIN2} = 0V, output amp is OPA606 except where stated.

| PARAMETER | DAC7541A | | | | TEST CONDITIONS/COMMENTS |
|--|----------|------------------------|---|-----------|--|
| | GRADE | T _A = +25°C | T _A = T _{MAX} , T _{MIN} ⁽¹⁾ | UNITS | |
| PROPAGATION DELAY (from Digital Input change to 90% of final Analog Output) | All | 100 | — | ns typ | Out ₁ Load = 100Ω, C _{EXT} = 13pF. Digital Inputs = 0V to V _{DD} or V _{DD} to 0V. |
| DIGITAL-TO-ANALOG GLITCH IMPULSE | All | 1000 | — | nV-s typ | V _{REF} = 0V, all digital inputs 0V to V _{DD} or V _{DD} to 0V. Measured using OPA606 as output amplifier. |
| MULTIPLYING FEEDTHROUGH ERROR (V _{REF} to Out ₁) | All | 1.0 | — | mVp-p max | V _{REF} = ±10V, 10kHz sine wave. |
| OUTPUT CURRENT SETTLING TIME | All | 0.6 | — | μs typ | To 0.01% of Full Scale Range. Out ₁ Load = 100Ω, C _{EXT} = 13pF. Digital Inputs: 0V to V _{DD} or V _{DD} to 0V. |
| | All | 1.0 | — | μs max | |
| OUTPUT CAPACITANCE | | | | | |
| C _{OUT1} (Pin 1) | All | 100 | 100 | pF max | Digital Inputs = V _{IH} |
| C _{OUT2} (Pin 2) | All | 60 | 60 | pF max | Digital Inputs = V _{IH} |
| C _{OUT1} (Pin 1) | All | 70 | 70 | pF max | Digital Inputs = V _{IL} |
| C _{OUT2} (Pin 2) | All | 100 | 100 | pF max | Digital Inputs = V _{IL} |

NOTE: (1) Temperature ranges are: = 0°C to + 70°C for JP, KP, JU and KU versions.

ABSOLUTE MAXIMUM RATINGS⁽¹⁾

| | |
|---|------------------------|
| V _{DD} (Pin 16) to Ground | +17V |
| V _{REF} (Pin 17) to Ground | +25V |
| V _{RFB} (Pin 18) to Ground | ±25V |
| Digital Input Voltage (pins 4-15) to Ground | -0.4V, V _{DD} |
| V _{PIN1} , V _{PIN2} to Ground | -0.4V, V _{DD} |
| Power Dissipation (any Package): | |
| To +75°C | 450mW |
| Derates above +75°C | -6mW/°C |
| Lead Temperature (soldering, 10s) | +300°C |
| Storage Temperature: Plastic Package | +125°C |

NOTE: (1) Stresses above those listed above may cause permanent damage to the device. This is a stress rating only and functional operation of the device at these or any other condition above those indicated in the operational sections of this specification is not implied. Exposure to absolute maximum rating conditions for extended periods may affect device reliability.



ELECTROSTATIC DISCHARGE SENSITIVITY

The DAC7541A is an ESD (electrostatic discharge) sensitive device. The digital control inputs have a special FET structure, which turns on when the input exceeds the supply by 18V, to minimize ESD damage. However, permanent damage may occur on unconnected devices subject to high energy electrostatic fields. When not in use, devices must be stored in conductive foam or shunts. The protective foam should be discharged to the destination socket before devices are removed.

BURN-IN SCREENING

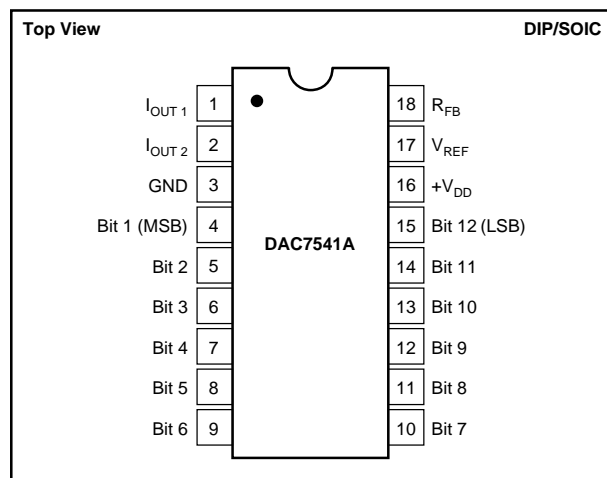
Burn-in screening is an option available for the models in the Ordering Information table. Burn-in duration is 160 hours at the indicated temperature (or equivalent combination of time and temperature).

All units are tested after burn-in to ensure that grade specifications are met. To order burn-in, add “-BI” to the base model number.

ORDERING INFORMATION

| MODEL | PACKAGE | TEMPERATURE RANGE | RELATIVE ACCURACY (LSB) | GAIN ERROR (LSB) |
|---------------------------------|--------------|-------------------|-------------------------|--|
| DAC7541AJP | Plastic DIP | 0°C to +70°C | ±1 | ±6 |
| DAC7541AKP | Plastic DIP | 0°C to +70°C | ±1/2 | ±1 |
| DAC7541AJU | Plastic SOIC | 0°C to +70°C | ±1 | ±6 |
| DAC7541AKU | Plastic SOIC | 0°C to +70°C | ±1/2 | ±1 |
| BURN-IN SCREENING OPTION | | | | |
| See text for details. | | | | |
| MODEL | PACKAGE | TEMPERATURE RANGE | RELATIVE ACCURACY (LSB) | BURN-IN TEMP. (160 Hours) ⁽¹⁾ |
| DAC7541AJP-BI | Plastic DIP | 0°C to +70°C | ±1 | +85°C |
| DAC7541AKP-BI | Plastic DIP | 0°C to +70°C | ±1/2 | +85°C |

PIN CONNECTIONS

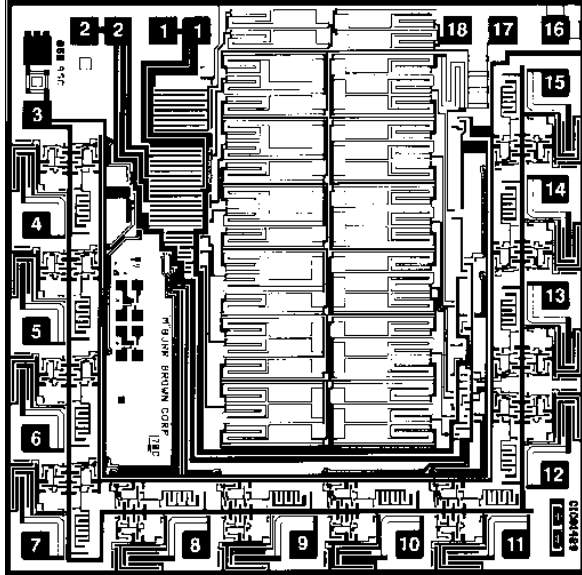


PACKAGE INFORMATION

| MODEL | PACKAGE | PACKAGE DRAWING NUMBER ⁽¹⁾ |
|--------------|--------------|---------------------------------------|
| DAC7541JP | Plastic DIP | 218 |
| DAC7541KP | Plastic DIP | 218 |
| DAC7541JU | Plastic SOIC | 219 |
| DAC7541KU | Plastic SOIC | 219 |
| DAC7541JP-BI | Plastic DIP | 218 |
| DAC7541KP-BI | Plastic DIP | 218 |

NOTE: (1) For detailed drawing and dimension table, please see end of data sheet, or Appendix D of Burr-Brown IC Data Book.

The information provided herein is believed to be reliable; however, BURR-BROWN assumes no responsibility for inaccuracies or omissions. BURR-BROWN assumes no responsibility for the use of this information, and all use of such information shall be entirely at the user's own risk. Prices and specifications are subject to change without notice. No patent rights or licenses to any of the circuits described herein are implied or granted to any third party. BURR-BROWN does not authorize or warrant any BURR-BROWN product for use in life support devices and/or systems.



DIE TOPOLOGY DAC7541A

| PAD | FUNCTION | PAD | FUNCTION |
|-----|-------------------|-----|-----------------------|
| 1 | I _{OUT1} | 10 | Bit 7 |
| 2 | I _{OUT2} | 11 | Bit 8 |
| 3 | GND | 12 | Bit 9 |
| 4 | Bit 1 (MSB) | 13 | Bit 10 |
| 5 | Bit 2 | 14 | Bit 11 |
| 6 | Bit 3 | 15 | Bit 12 (LSB) |
| 7 | Bit 4 | 16 | +V _{DD} |
| 8 | Bit 5 | 17 | V _{REF} |
| 9 | Bit 6 | 18 | R _{FEEDBACK} |

Substrate Bias: Isolated.

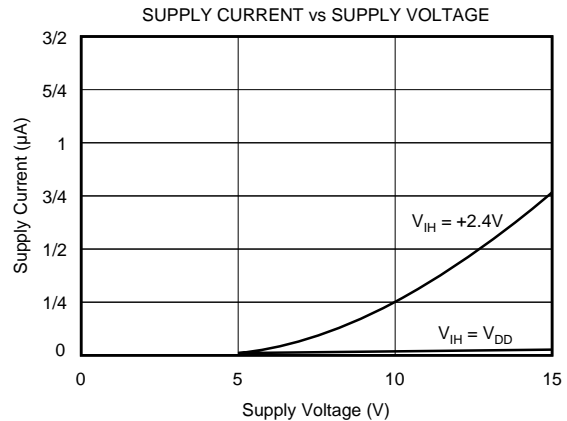
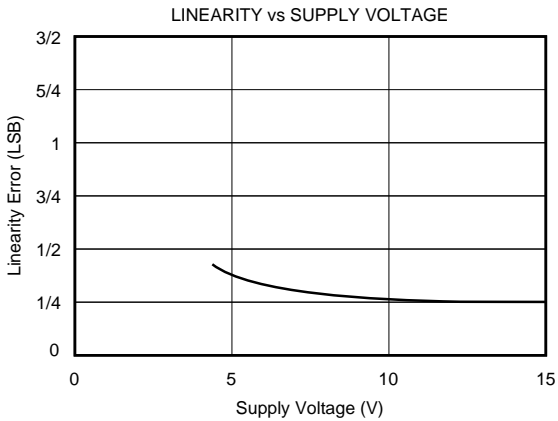
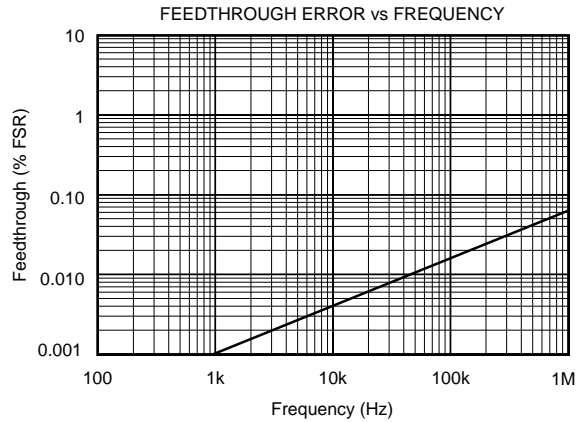
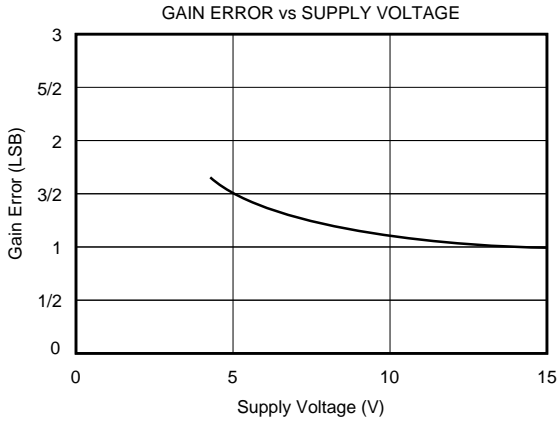
NC: No Connection.

MECHANICAL INFORMATION

| | MILS (0.001") | MILLIMETERS |
|---------------|---------------|-------------------|
| Die Size | 104 x 105 ±5 | 2.64 x 2.67 ±0.13 |
| Die Thickness | 20 ±3 | 0.51 ±0.08 |
| Min. Pad Size | 4 x 4 | 0.10 x 0.10 |
| Metalization | Aluminum | |

TYPICAL PERFORMANCE CURVES

T_A = +25°C, V_{DD} = +15V, unless otherwise noted.



DISCUSSION OF SPECIFICATIONS

RELATIVE ACCURACY

This term (also known as linearity) describes the transfer function of analog output to digital input code. The linearity error describes the deviation from a straight line between zero and full scale.

DIFFERENTIAL NONLINEARITY

Differential nonlinearity is the deviation from an ideal 1LSB change in the output, from one adjacent output state to the next. A differential nonlinearity specification of $\pm 1.0\text{LSB}$ guarantees monotonicity.

GAIN ERROR

Gain error is the difference in measure of full-scale output versus the ideal DAC output. The ideal output for the DAC7541A is $-(4095/4096) \times (V_{\text{REF}})$. Gain error may be adjusted to zero using external trims.

OUTPUT LEAKAGE CURRENT

The measure of current which appears at Out_1 with the DAC loaded with all zeros, or at Out_2 with the DAC loaded with all ones.

MULTIPLYING FEEDTHROUGH ERROR

This is the AC error output due to capacitive feedthrough from V_{REF} to Out_1 with the DAC loaded with all zeros. This test is performed at 10kHz.

OUTPUT CURRENT SETTLING TIME

This is the time required for the output to settle to a tolerance of $\pm 0.5\text{LSB}$ of final value from a change in code of all zeros to all ones, or all ones to all zeros.

PROPAGATION DELAY

This is the measure of the delay of the internal circuitry and is measured as the time from a digital code change to the point at which the output reaches 90% of final value.

DIGITAL-TO-ANALOG GLITCH IMPULSE

This is the measure of the area of the glitch energy measured in nV-seconds. Key contributions to glitch energy are digital word-bit timing differences, internal circuitry timing differences, and charge injected from digital logic.

MONOTONICITY

Monotonicity assures that the analog output will increase or stay the same for increasing digital input codes. The DAC7541A is guaranteed monotonic to 12 bits.

POWER SUPPLY REJECTION

Power supply rejection is the measure of the sensitivity of the output (full scale) to a change in the power supply voltage.

CIRCUIT DESCRIPTION

The DAC7541A is a 12-bit multiplying D/A converter consisting of a highly stable thin-film R-2R ladder network and 12 pairs of current steering switches on a monolithic chip. Most applications require the addition of a voltage or current reference and an output operational amplifier.

A simplified circuit of the DAC7541A is shown in Figure 1. The R-2R inverted ladder binarily divides the input currents that are switched between I_{OUT_1} and I_{OUT_2} bus lines. This switching allows a constant current to be maintained in each ladder leg independent of the input code.

The input resistance at V_{REF} (Figure 1) is always equal to R_{LDR} (R_{LDR} is the R/2R ladder characteristic resistance and is equal to value "R"). Since R_{IN} at the V_{REF} pin is constant, the reference terminal can be driven by a reference voltage or a reference current, AC or DC, of positive or negative polarity.

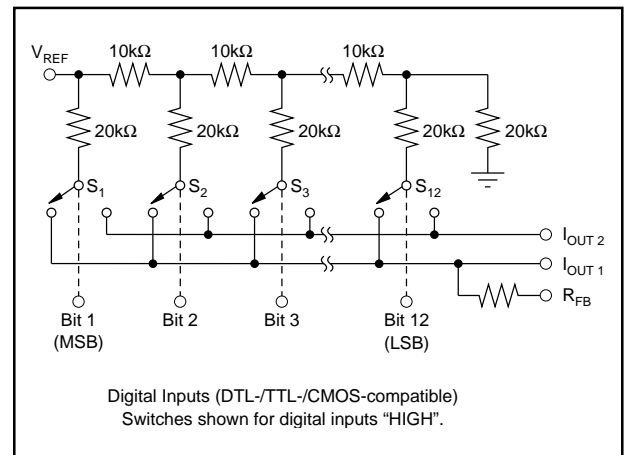


FIGURE 1. Simplified DAC Circuit.

EQUIVALENT CIRCUIT ANALYSIS

Figures 2 and 3 show the equivalent circuits for all digital inputs low and high, respectively. The reference current is switched to I_{OUT_2} when all inputs are low and I_{OUT_1} when inputs are high. The I_L current source is the combination of surface and junction leakages to the substrate; the $1/4096$ current source represents the constant one-bit current drain through the ladder terminal.

DYNAMIC PERFORMANCE

Output Impedance

The output resistance, as in the case of the output capacitance, is also modulated by the digital input code. The resistance looking back into the I_{OUT_1} terminal may be anywhere between $10\text{k}\Omega$ (the feedback resistor alone when all digital inputs are low) and $7.5\text{k}\Omega$ (the feedback resistor in parallel with approximately $30\text{k}\Omega$ of the R-2R ladder network resistance when any single bit logic is high). The static accuracy and dynamic performance will be affected by this modulation. The gain and phase stability of the output

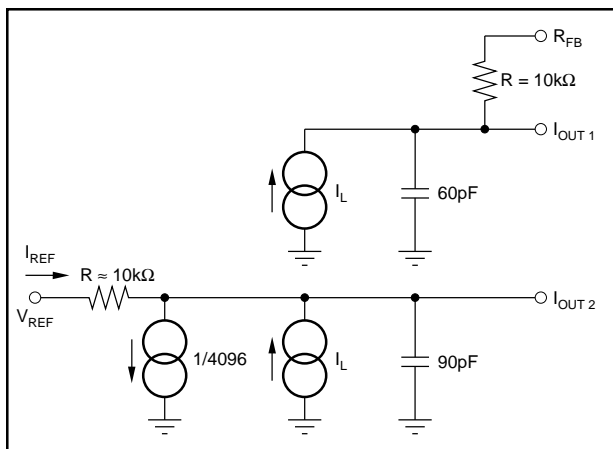


FIGURE 2. DAC7541A Equivalent Circuit (All inputs LOW).

amplifier, board layout, and power supply decoupling will all affect the dynamic performance of the DAC7541A. The use of a compensation capacitor may be required when high-speed operational amplifiers are used. It may be connected across the amplifier's feedback resistor to provide the necessary phase compensation to critically dampen the output. See Figures 4 and 6.

APPLICATIONS

OP AMP CONSIDERATIONS

The input bias current of the op amp flows through the feedback resistor, creating an error voltage at the output of the op amp. This will show up as an offset through all codes of the transfer characteristics. A low bias current op amp such as the OPA606 is recommended.

Low offset voltage and V_{OS} drift are also important. The output impedance of the DAC is modulated with the digital code. This impedance change (approximately 10kΩ to 30kΩ) is a change in closed-loop gain to the op amp. The result is that V_{OS} will be multiplied by a factor of one to two depending on the code. This shows up as a linearity error. Offset can be adjusted out using Figure 4. Gain may be adjusted using Figure 5.

UNIPOLAR BINARY OPERATION (Two-Quadrant Multiplication)

Figure 4 shows the analog circuit connections required for unipolar binary (two-quadrant multiplication) operation. With a DC reference voltage or current (positive or negative polarity) applied at pin 17, the circuit is a unipolar D/A converter. With an AC reference voltage or current, the circuit provides two-quadrant multiplication (digitally controlled attenuation). The input/output relationship is shown in Table I.

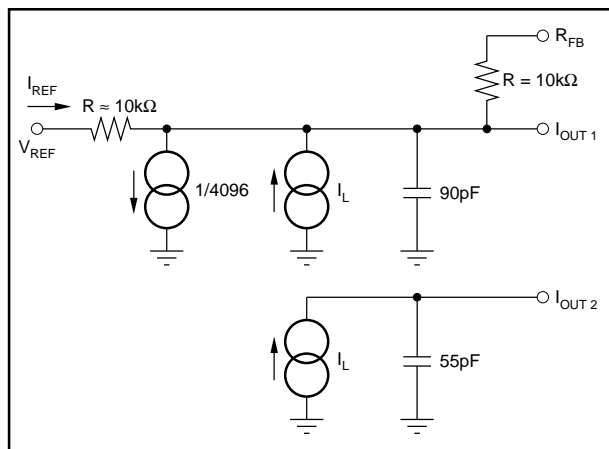


FIGURE 3. DAC7541A Equivalent Circuit (All inputs HIGH).

| BINARY INPUT | | ANALOG OUTPUT |
|--------------|------|------------------------|
| MSB | LSB | |
| 1111 | 1111 | $-V_{REF}$ (4095/4096) |
| 1000 | 0000 | $-V_{REF}$ (2048/4096) |
| 0000 | 0000 | $-V_{REF}$ (1/4096) |
| 0000 | 0000 | 0V |

TABLE I. Unipolar Codes.

C_1 phase compensation (10 to 25pF) in Figure 4 may be required for stability when using high speed amplifiers. C_1 is used to cancel the pole formed by the DAC internal feedback resistance and output capacitance at Out_1 .

R_1 in Figure 5 provides full scale trim capability—load the DAC register to 1111 1111 1111, adjust R_1 for $V_{OUT} = -V_{REF}$ (4095/4096). Alternatively, full scale can be adjusted by omitting R_1 and R_2 and trimming the reference voltage magnitude.

BIPOLAR FOUR-QUADRANT OPERATION

Figure 6 shows the connections for bipolar four-quadrant operation. Offset can be adjusted with the A_1 to A_2 summing resistor, with the input code set to 1000 0000 0000. Gain may be adjusted by varying the feedback resistor of A_2 . The input/output relationship is shown in Table II.

| BINARY INPUT | | ANALOG OUTPUT |
|--------------|------|------------------------|
| MSB | LSB | |
| 1111 | 1111 | $+V_{REF}$ (2047/2048) |
| 1000 | 0000 | 0V |
| 0111 | 1111 | $-V_{REF}$ (1/2048) |
| 0000 | 0000 | $-V_{REF}$ (2048/2048) |

TABLE II. Bipolar Codes.

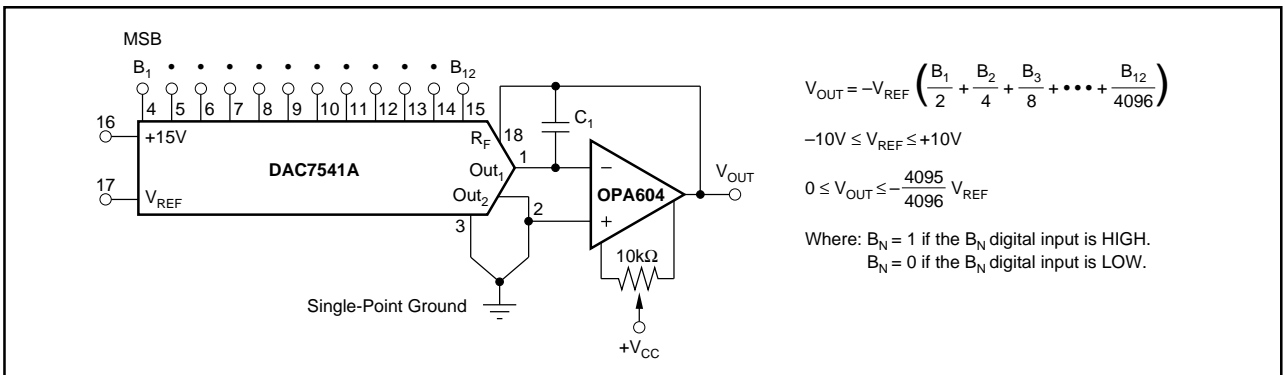


FIGURE 4. Basic Connection With Op Amp V_{OS} Adjust: Unipolar (two-quadrant) Multiplying Configuration.

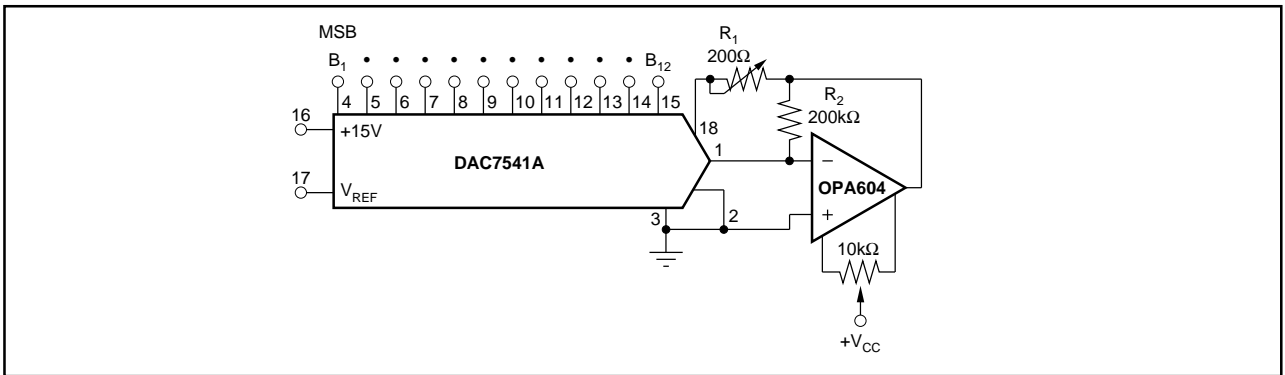


FIGURE 5. Basic Connection With Gain Adjust (allows adjustment up or down).

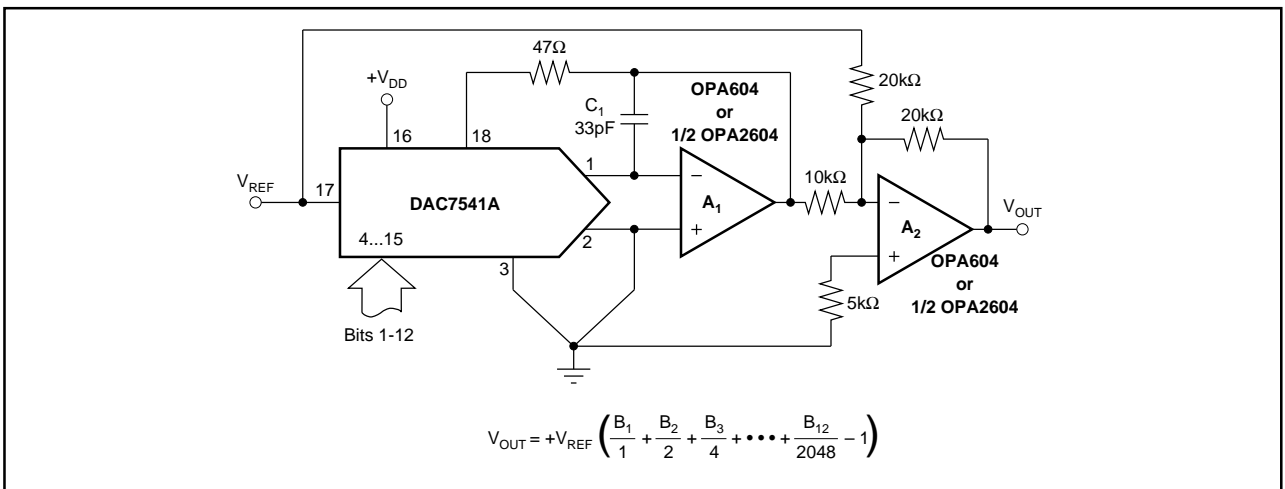


FIGURE 6. Bipolar Four-Quadrant Multiplier.

DIGITALLY CONTROLLED GAIN BLOCK

The DAC7541A may be used in a digitally controlled gain block as shown in Figure 7. This circuit gives a range of gain from one (all bits = one) to 4096 (LSB = one). The transfer function is:

$$V_{OUT} = \frac{-V_{IN}}{\left(\frac{B_1}{2} + \frac{B_2}{4} + \frac{B_3}{8} + \dots + \frac{B_{12}}{4096}\right)}$$

All bits off is an illegal state, as division by zero is impossible (no op amp feedback). Also, errors increase as gain increases, and errors are minimized at major carries (only one bit on at a time).

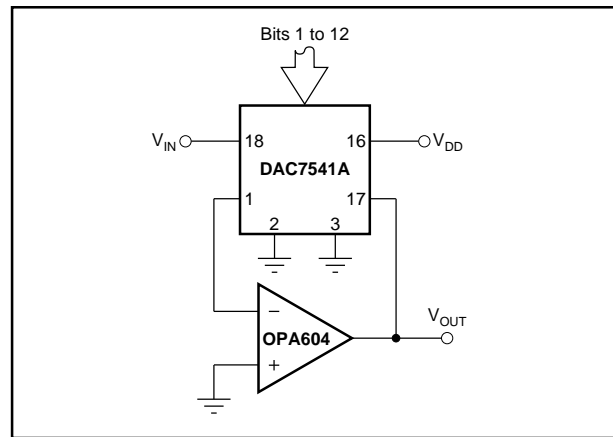


FIGURE 7. Digitally Programmable Gain Block.

PACKAGING INFORMATION

| Orderable Device | Status ⁽¹⁾ | Package Type | Package Drawing | Pins | Package Qty | Eco Plan ⁽²⁾ | Lead/Ball Finish | MSL Peak Temp ⁽³⁾ |
|------------------|-----------------------|--------------|-----------------|------|-------------|-------------------------|------------------|------------------------------|
| DAC7541AJP | ACTIVE | PDIP | N | 18 | 20 | None | Call TI | Level-NA-NA-NA |
| DAC7541AJU | ACTIVE | SOP | DTC | 18 | 43 | None | CU SNPB | Level-3-220C-168 HR |
| DAC7541AKP | ACTIVE | PDIP | N | 18 | 20 | None | Call TI | Level-NA-NA-NA |
| DAC7541AKU | ACTIVE | SOP | DTC | 18 | 43 | None | CU SNPB | Level-3-220C-168 HR |
| DAC7541AKU/1K | ACTIVE | SOP | DTC | 18 | 1000 | None | CU SNPB | Level-3-220C-168 HR |

⁽¹⁾ The marketing status values are defined as follows:

ACTIVE: Product device recommended for new designs.

LIFEBUY: TI has announced that the device will be discontinued, and a lifetime-buy period is in effect.

NRND: Not recommended for new designs. Device is in production to support existing customers, but TI does not recommend using this part in a new design.

PREVIEW: Device has been announced but is not in production. Samples may or may not be available.

OBsolete: TI has discontinued the production of the device.

⁽²⁾ Eco Plan - May not be currently available - please check <http://www.ti.com/productcontent> for the latest availability information and additional product content details.

None: Not yet available Lead (Pb-Free).

Pb-Free (RoHS): TI's terms "Lead-Free" or "Pb-Free" mean semiconductor products that are compatible with the current RoHS requirements for all 6 substances, including the requirement that lead not exceed 0.1% by weight in homogeneous materials. Where designed to be soldered at high temperatures, TI Pb-Free products are suitable for use in specified lead-free processes.

Green (RoHS & no Sb/Br): TI defines "Green" to mean "Pb-Free" and in addition, uses package materials that do not contain halogens, including bromine (Br) or antimony (Sb) above 0.1% of total product weight.

⁽³⁾ MSL, Peak Temp. -- The Moisture Sensitivity Level rating according to the JEDEC industry standard classifications, and peak solder temperature.

Important Information and Disclaimer: The information provided on this page represents TI's knowledge and belief as of the date that it is provided. TI bases its knowledge and belief on information provided by third parties, and makes no representation or warranty as to the accuracy of such information. Efforts are underway to better integrate information from third parties. TI has taken and continues to take reasonable steps to provide representative and accurate information but may not have conducted destructive testing or chemical analysis on incoming materials and chemicals. TI and TI suppliers consider certain information to be proprietary, and thus CAS numbers and other limited information may not be available for release.

In no event shall TI's liability arising out of such information exceed the total purchase price of the TI part(s) at issue in this document sold by TI to Customer on an annual basis.

IMPORTANT NOTICE

Texas Instruments Incorporated and its subsidiaries (TI) reserve the right to make corrections, modifications, enhancements, improvements, and other changes to its products and services at any time and to discontinue any product or service without notice. Customers should obtain the latest relevant information before placing orders and should verify that such information is current and complete. All products are sold subject to TI's terms and conditions of sale supplied at the time of order acknowledgment.

TI warrants performance of its hardware products to the specifications applicable at the time of sale in accordance with TI's standard warranty. Testing and other quality control techniques are used to the extent TI deems necessary to support this warranty. Except where mandated by government requirements, testing of all parameters of each product is not necessarily performed.

TI assumes no liability for applications assistance or customer product design. Customers are responsible for their products and applications using TI components. To minimize the risks associated with customer products and applications, customers should provide adequate design and operating safeguards.

TI does not warrant or represent that any license, either express or implied, is granted under any TI patent right, copyright, mask work right, or other TI intellectual property right relating to any combination, machine, or process in which TI products or services are used. Information published by TI regarding third-party products or services does not constitute a license from TI to use such products or services or a warranty or endorsement thereof. Use of such information may require a license from a third party under the patents or other intellectual property of the third party, or a license from TI under the patents or other intellectual property of TI.

Reproduction of information in TI data books or data sheets is permissible only if reproduction is without alteration and is accompanied by all associated warranties, conditions, limitations, and notices. Reproduction of this information with alteration is an unfair and deceptive business practice. TI is not responsible or liable for such altered documentation.

Resale of TI products or services with statements different from or beyond the parameters stated by TI for that product or service voids all express and any implied warranties for the associated TI product or service and is an unfair and deceptive business practice. TI is not responsible or liable for any such statements.

Following are URLs where you can obtain information on other Texas Instruments products and application solutions:

| Products | | Applications | |
|------------------|--|---------------------|--|
| Amplifiers | amplifier.ti.com | Audio | www.ti.com/audio |
| Data Converters | dataconverter.ti.com | Automotive | www.ti.com/automotive |
| DSP | dsp.ti.com | Broadband | www.ti.com/broadband |
| Interface | interface.ti.com | Digital Control | www.ti.com/digitalcontrol |
| Logic | logic.ti.com | Military | www.ti.com/military |
| Power Mgmt | power.ti.com | Optical Networking | www.ti.com/opticalnetwork |
| Microcontrollers | microcontroller.ti.com | Security | www.ti.com/security |
| | | Telephony | www.ti.com/telephony |
| | | Video & Imaging | www.ti.com/video |
| | | Wireless | www.ti.com/wireless |

Mailing Address: Texas Instruments
Post Office Box 655303 Dallas, Texas 75265

Texas Instruments

<http://www.ti.com>

This file is the datasheet for the following electronic components:

DAC7541AKP - <http://www.ti.com/product/dac7541akp?HQS=TI-null-null-dscatalog-df-pf-null-wwe>

DAC7541AKU - <http://www.ti.com/product/dac7541aku?HQS=TI-null-null-dscatalog-df-pf-null-wwe>

DAC7541AJU - <http://www.ti.com/product/dac7541aju?HQS=TI-null-null-dscatalog-df-pf-null-wwe>

DAC7541AJP - <http://www.ti.com/product/dac7541ajp?HQS=TI-null-null-dscatalog-df-pf-null-wwe>

DAC7541AKU/1K - <http://www.ti.com/product/dac7541aku/1k?HQS=TI-null-null-dscatalog-df-pf-null-wwe>



LittleDiode supplies new, hard to find or obsolete electronic components and semiconductors all over the world.

With over two million different components listed you are sure to find the part you need.

Feel free to visit us today at our online store:

LittleDiode.com

Looking forward to providing you with the best possible service.