

DBL 2071

HORIZONTAL PROCESSOR FOR MONITOR SET

The DBL2071, is a monolithic integrated circuit encapsuled in a 14 dual-in-line package designed for horizontal deflection signal processor for a CRT display.

This IC can use with the DBL2054D (Vertical deflection IC).

FUNCTIONS

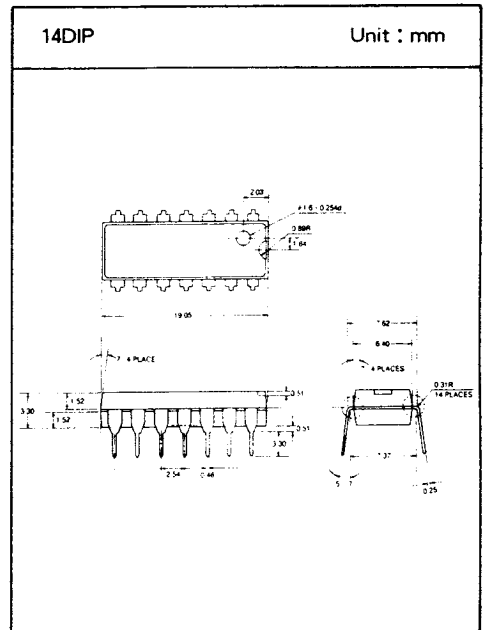
- Horizontal oscillator & AFC
- X-Ray protector
- AFC sawtooth wave generator
- Horizontal pulse duty setting
- Horizontal phase shifter

FEATURES

- The horizontal oscillation frequency is stable from 15KHz to 100KHz.
- The horizontal display can be shifted right or left.
- The horizontal synchronizing pulse input can be used intact regardless of the difference in pulse polarity and pulse width.
- The AFC feedback sawtooth wave can be obtained by simply applying a flyback pulse to the IC as a trigger pulse.
- Any duty of horizontal pulse can be set.

MAXIMUM RATINGS($T_a=25^{\circ}\text{C}$)

CHARACTERISTICS	SYMBOL	VALUE	UNIT
Supply Voltage	$V_{cc}(\text{max})$	14	V
Power Dissipation	P_d	520	mW
Operating Temperature	T_{opr}	-20 ~ +70	$^{\circ}\text{C}$
Storage Temperature	T_{stg}	-55 ~ +150	$^{\circ}\text{C}$



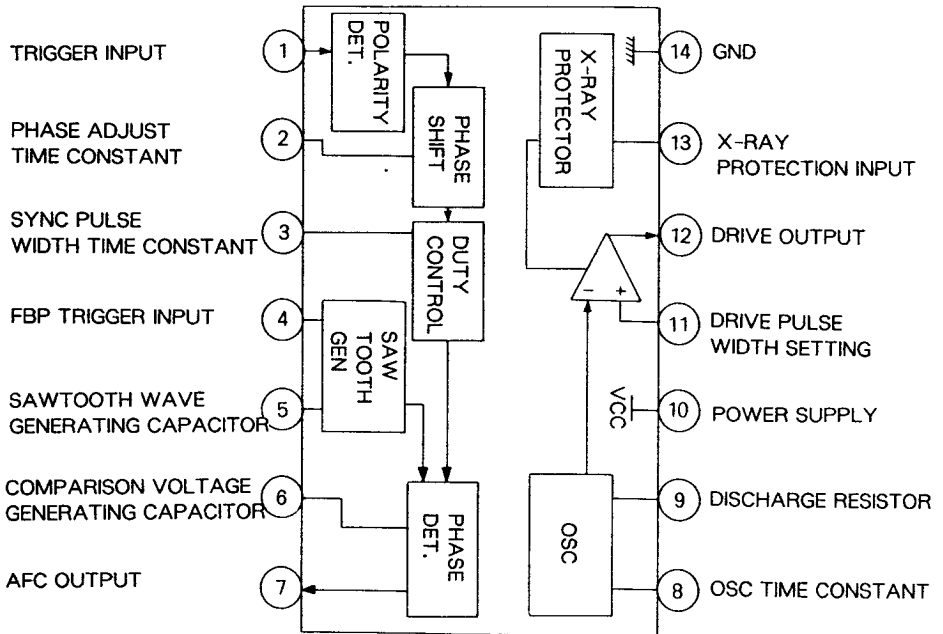
DBL 2071

OPERATING CONDITION

($T_s=25^\circ\text{C}$)

CHARACTERISTIC	SYMBOL	MIN.	TYP.	MAX.	UNIT
Supply Voltage	V_{cc}	9.0	12.0	13.5	V
Hor. Pulse Voltage	P_v	2.0	5.0	6.0	V_{p-p}

BLOCK DIAGRAM



DBL 2071

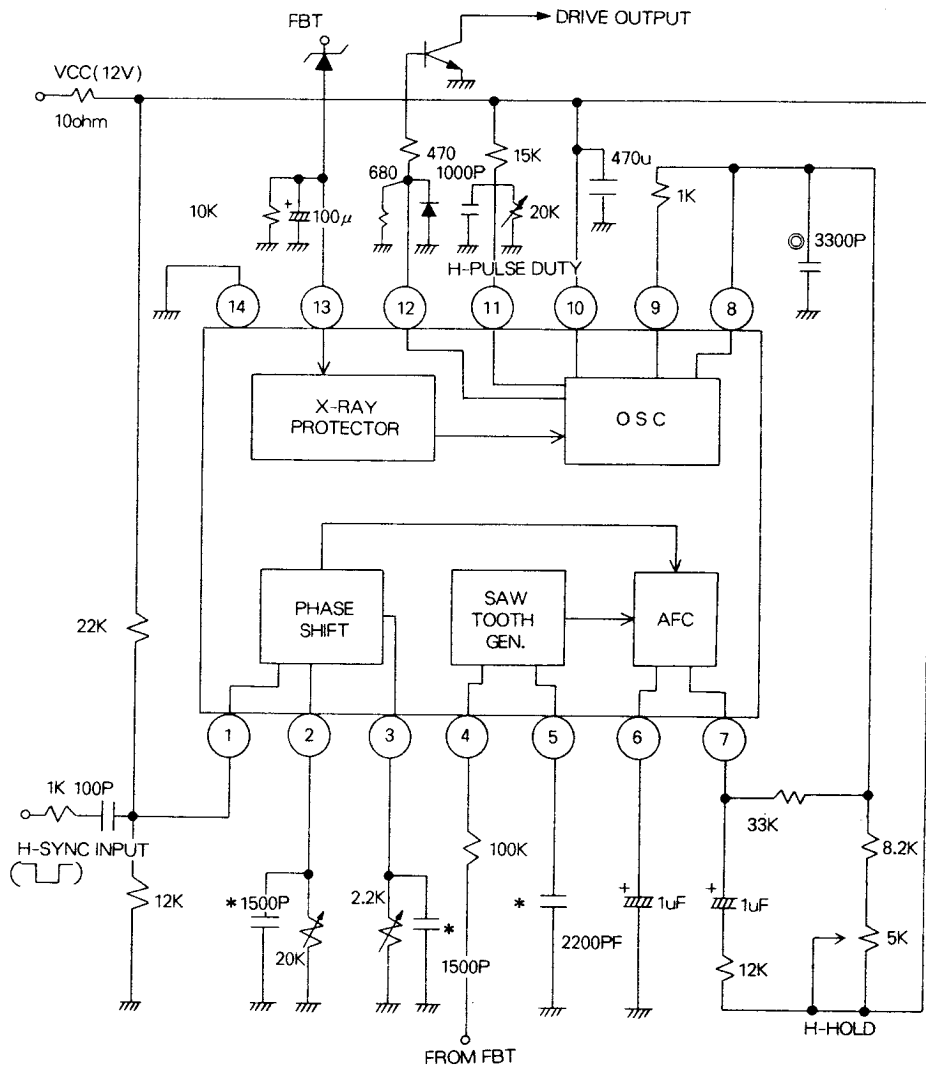
ELECTRICAL CHARACTERISTICS

(V_{pin10} = 12V, P_a = 25°C)

CHARACTERISTICS	SYMBOL	TEST CONDITION	MIN.	TYP.	MAX.	UNIT
Supply Current	I _{cc}	V _{cc} = 12V	12	21	30	mA
Oscillation Start Voltage	V _{osc(H)}		—	—	4.0	V
Free-Running Frequency	F _{no}	Fh = 15.734KHz	-750	—	750	Hz
AFC DC Loop Current	I _{afc}	Pin2 : GND Pin3 : 5.0V, Pin : 4.0V Pin5 : 4.0V(+), 6.0V(-) Load : 5Kohm	±0.85	—	±1.6	mA
Frequency Drift with supply Voltage	F _{s(H)}	V10 = 12 + 1V 15.734KHz at 12V	-50	—	50	Hz
Frequency Drift with Amboent Temperature	F _{t(H)}	Ta = -10 to +60°C	-2.9	—	2.9	Hz/°C
Comparison Wave Shaping Input Voltage	V4		0.6	0.65	0.8	V
X-Ray Protector Starting Voltage	V13		0.5	0.75	0.9	V
Horizontal Drive Current	I12	Pin8 : 3.0V Pin11 : 6.0V Load : 100ohm	6.0	9.0	12.0	mA
Sawtooth Gen. Current Source	I _{src5}	Pin4 : GND Load : 20Kohm	220	260	320	μA
Sawtooth Gen. Current Sink	I _{sik5}	Pin4 : 1.0V Load : 10Kohm	400	500	600	μA
Pulse Width	T _{pw}	Pin11 : 6.0V	37	40	47	%
Pull-in Range	F _{pull}		±400	—	—	Hz

DBL 2071

APPLICATION CIRCUIT



POLYESTER FILM CAPACITOR

- Temperature Range : $-40^{\circ}\text{C} \sim +85^{\circ}\text{C}$
- Rated Voltage : 100V_{DC}
- Tolerance : $\pm 5\%$

© POLYPROPYLENE FILM CAPACITOR

- Temperature Range : $-40^{\circ}\text{C} \sim +85^{\circ}\text{C}$
- Rated Voltage : 100V_{DC}
- Tolerance : $\pm 5\%$



LittleDiode supplies new, hard to find or obsolete electronic components and semiconductors all over the world.

With over two million different components listed you are sure to find the part you need.

Feel free to visit us today at our online store:

LittleDiode.com

Looking forward to providing you with the best possible service.