

# DBL 358

## LOW POWER DUAL OPERATIONAL AMPLIFIER

The DBL358 consists of two independent high gain, internally frequency compensated operational amplifiers designed to operate from a single power supply over a wide range of voltage.

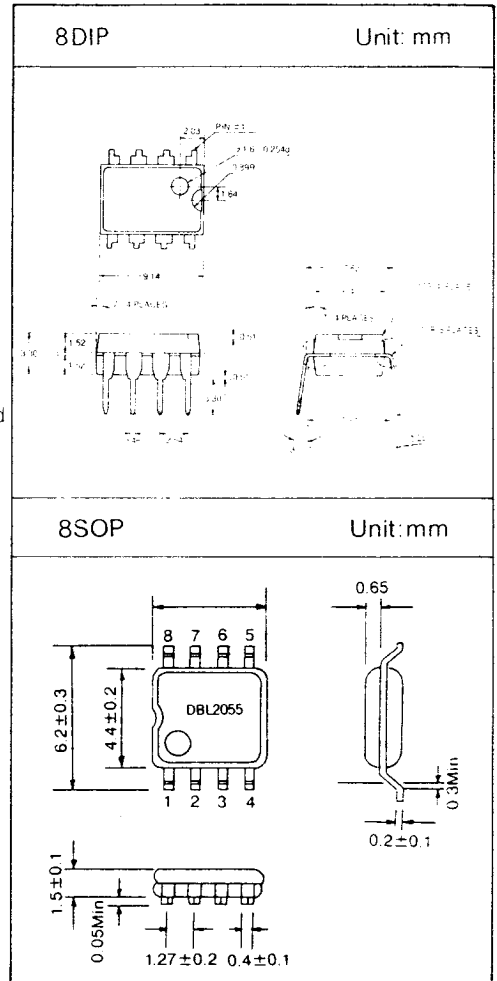
### FEATURES

- Input common mode voltage range includes ground
- Internally frequency compensated for unity gain
- Large DC voltage gain : 100dB
- Wide bandwidth for unity gain : 1MHz
- Very low power consumption
- Wide supply voltage range :  
 Single : 3V~30V  
 Dual :  $\pm 1.5V \sim \pm 15V$

### APPLICATIONS

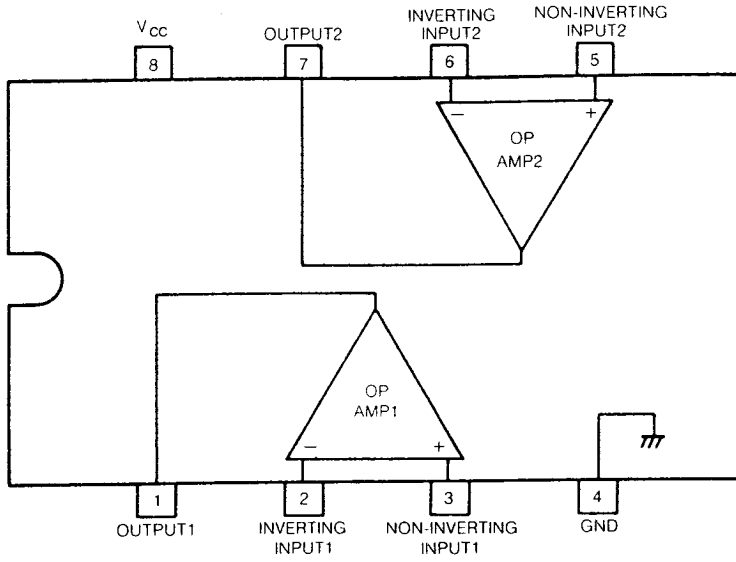
- Transducer amplifiers
- DC gain blocks
- Conventional operational amplifiers

### MAXIMUM RATINGS

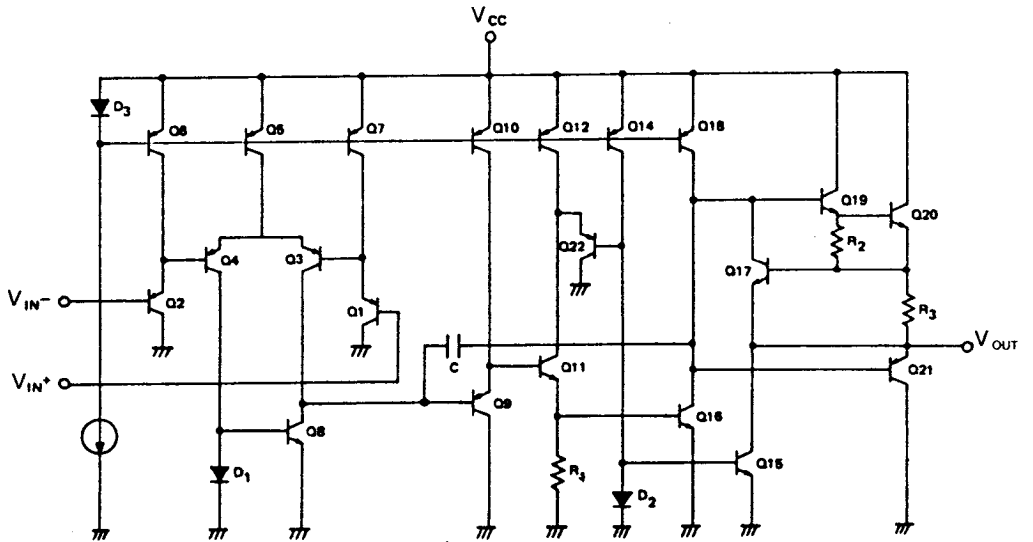


Characteristic	Symbol	Rating	Unit
Supply Voltage	$V_{CC}$	36 or $\pm 18$	V
Differential Input Voltage	$V_{IND}$	32	V
Input Voltage	$V_{IN}$	-0.3 ~ +32	V
Power Dissipation	$P_D$	570	mW
Operating Temperature	$T_{opr}$	0 ~ +70	$^{\circ}C$
Storage Temperature	$T_{stg}$	-55 ~ +150	$^{\circ}C$

## □ BLOCK DIAGRAM



## □ EQUIVALENT CIRCUIT (One section)



# DBL 358

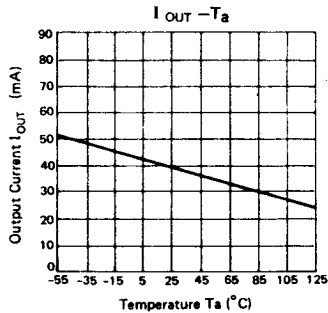
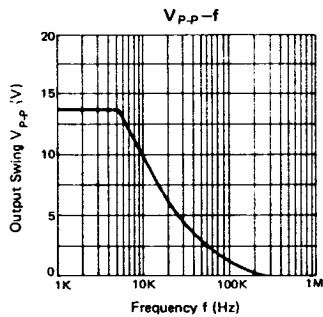
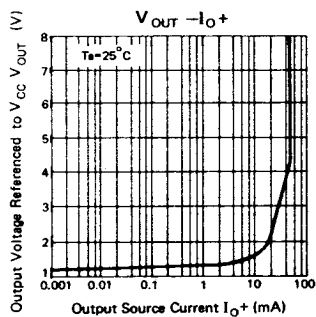
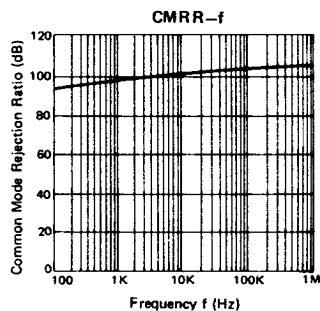
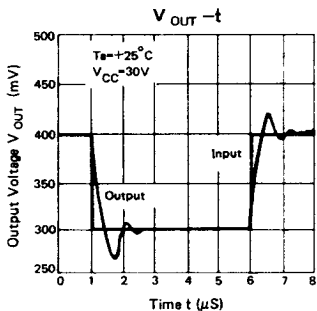
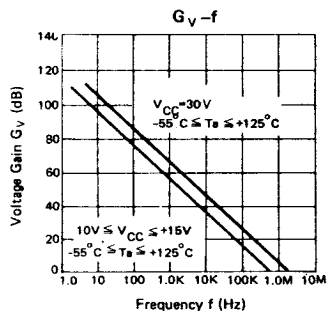
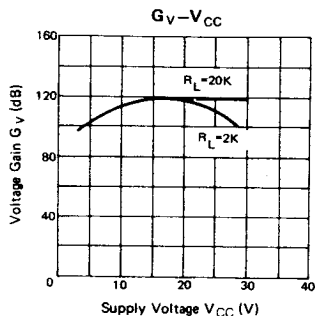
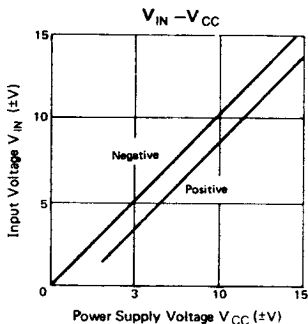
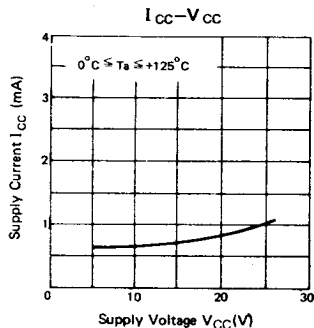
## □ ELECTRICAL CHARACTERISTICS

(Unless otherwise specified,  $V_{CC} = 5V$  and  $0^{\circ}C \leq T_a \leq 70^{\circ}C$ )

Characteristic	Symbol	Test Condition	Min.	Typ.	Max.	Unit	
Input Offset Voltage	$V_{IOS}$	$V_{OUT} = 1.4V, 5V \leq V_{CC} \leq 30V$	$T_a = 25^{\circ}C$	—	$\pm 2$	$\pm 7$	mV
		$R_g = 0\Omega, 0V \leq V_{IC} \leq V_{CC} - 1.5V$		—	—	$\pm 9$	mV
Input Offset Voltage Drift	$\Delta V_{IOS}/\Delta T$	$R_g = 0\Omega$		7	—	$\mu V/^{\circ}C$	
Input Offset Current	$I_{IOS}$		$T_a = 25^{\circ}C$	—	$\pm 5$	$\pm 50$	nA
				—	—	$\pm 150$	nA
Input Offset Current Drift	$\Delta I_{IOS}/\Delta T$			10	—	$\mu A/^{\circ}C$	
Input Bias Current	$I_{IB}$		$T_a = 25^{\circ}C$	—	45	250	nA
				—	40	500	nA
Input Common Mode Voltage Range	$V_{ICR}$	$V_{CC} = 30V$	$T_a = 25^{\circ}C$	0	—	$V_{CC} - 1.5$	V
				0	—	$V_{CC} - 2$	V
Supply Current	$I_{CC}$	$V_{CC} = 30V, R_L = \infty$		—	1	2	mA
		$V_{CC} = 5V, R_L = \infty$		—	0.7	1.2	mA
Large Signal Voltage Gain	$G_V$	$V_{CC} = 15V, R_L \geq 2K\Omega$	$T_a = 25^{\circ}C$	25	100	—	V/mV
				15	—	—	V/mV
Output Voltage Swing	$V_{OH}$	$V_{CC} = 30V$		$R_L = 2K\Omega$	26	—	V
				$R_L \geq 10K\Omega$	27	28	—
	$V_{OL}$	$V_{CC} = 5V, R_L \leq 10K\Omega$		—	5	20	mV
Common Mode Rejection Ratio	CMRR	$T_a = 25^{\circ}C$		65	70	—	dB
Power Supply Rejection Ratio	PSRR	$T_a = 25^{\circ}C$		65	100	—	dB
Output Short Circuit to Ground	$I_{OS}$	$T_a = 25^{\circ}C$		—	40	60	mA
Differential Input Voltage	$V_{IND}$	—		—	—	32	V
Output Source Current	$I_{O^+}$	$V_{CC} = 15V, V_{IN^+} = 1V, V_{IN^-} = 0V$	$T_a = 25^{\circ}C$	20	40	—	mA
				10	20	—	mA
Output Sink Current	$I_{O^-}$	$V_{CC} = 15V, V_{IN^+} = 0V, V_{IN^-} = 1V$	$T_a = 25^{\circ}C$	10	20	—	mA
				5	8	—	mA
			$V_{OUT} = 200mV, T_a = 25^{\circ}C, V_{IN^+} = 0V, V_{IN^-} = 1V$		12	50	—

\*  $V_{IC}$  : Input Common Mode Voltage

## TYPICAL PERFORMANCE CHARACTERISTICS



# DBL 358

## APPLICATION INFORMATION

The DBL358 operates with only a single power supply voltage, has true-differential inputs and remains in the linear mode with an input common mode voltage of 0V. This amplifier works over a wide range of power supply voltage with little change in performance characteristics. At 25°C amplifier operation is possible down to a minimum supply voltage of 2.3V.

Large differential input voltage can be easily accommodated and, as input differential voltage protection diodes are not used, no large input currents result from large differential input voltages. The differential input voltage may be larger than  $V_{CC}$  without damage. Protection should be provided to prevent the input voltage from going negative more than  $-0.3V$ . An input clamp diode with a resistor to the IC input terminal can be used.

To reduce the power supply current drain, the amplifier has a class A output stage for small signal level which converts to class B in a large signal mode. This allows the amplifiers to both source and sink large output currents.

Therefore both NPN and PNP external current boost transistors can be used to extend the power capability of the basic amplifiers, the output voltage needs to raise approximately 1 diode drop above ground to bias the on-chip vertical PNP transistor for output current sinking applications.

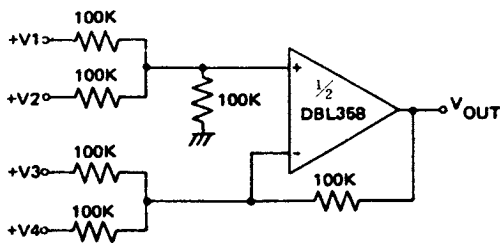
Output short circuits either to ground or to the positive power supply should be of short time duration. Units can be destroyed, not as a result of the short circuit current causing metal fusing, but rather due to the large increase in IC chip dissipation which will cause eventual failure due to excessive junction temperatures. Putting direct shortcircuits on more than one amplifier at a time, the total IC power dissipation will increase to destructive levels, if not properly protected with external dissipation limiting resistors in series with the output leads of the amplifiers.

## APPLICATION CIRCUITS

(Single supply circuits,  $V_{CC} = 5V$ )

### 1. DC Summing Amplifier

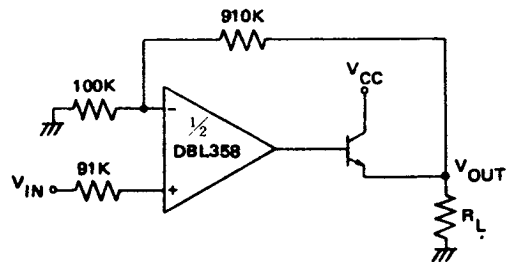
$$(V_{IN'S} \geq 0V \text{ \& } V_{OUT} \geq 0V)$$



$$V_{OUT} = V1 + V2 - V3 - V4$$

$$(V1 + V2) \geq (V3 + V4) \text{ to keep } V_{OUT} > 0V$$

### 2. Power Amplifier



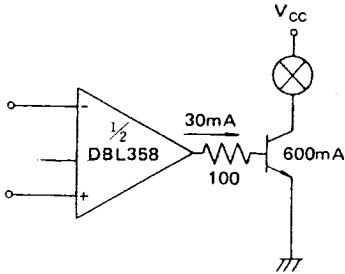
$$V_{OUT} = 0V \text{ for } V_{IN} = 0V$$

$$G_V = 10$$

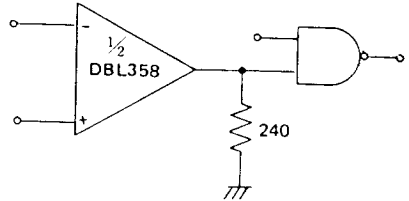
# DBL 358

## APPLICATION CIRCUITS (continued)

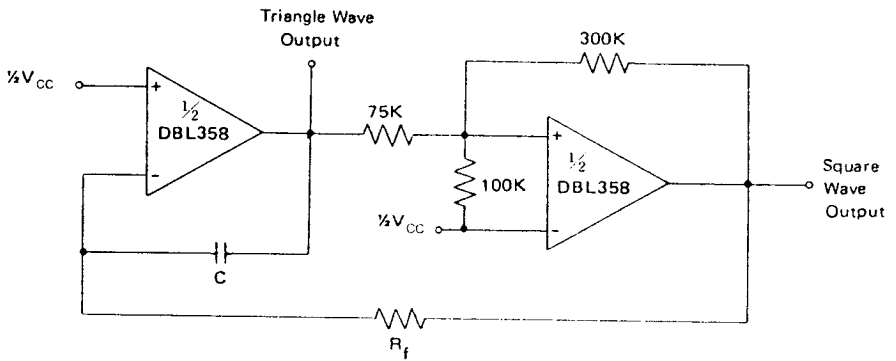
### 3. Lamp Driver



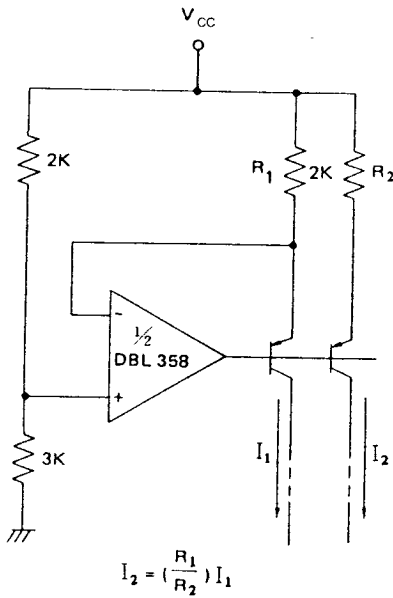
### 4. Driving TTL



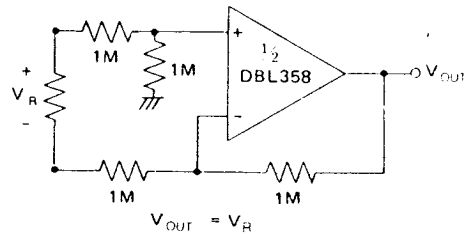
### 5. Function Generator



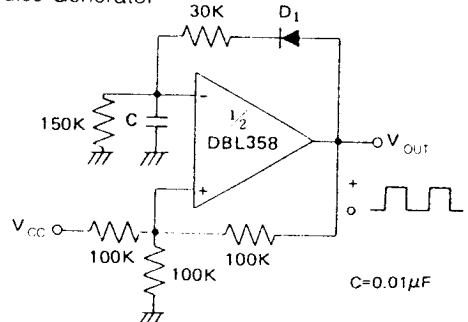
### 6. Fixed Current Sources



### 7. Ground Referencing a Differential input Signal

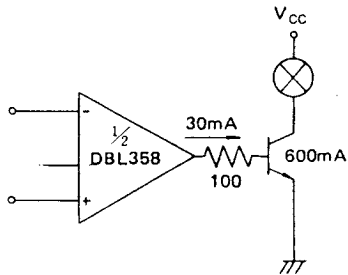


### 8. Pulse Generator

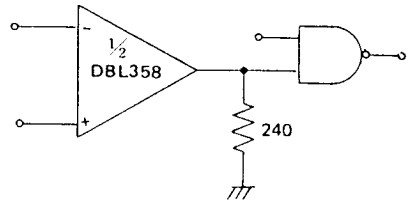


## APPLICATION CIRCUITS (continued)

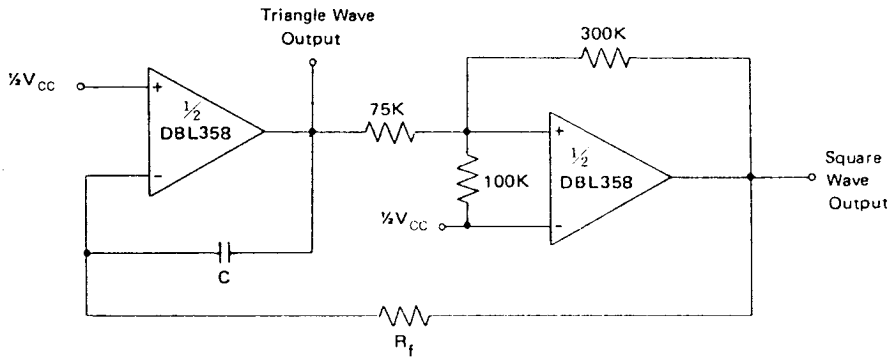
3. Lamp Driver



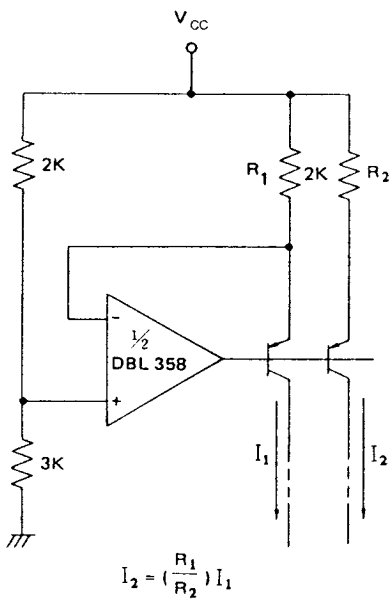
4. Driving TTL



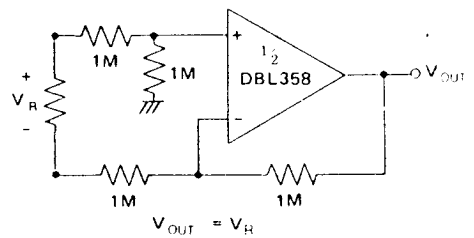
5. Function Generator



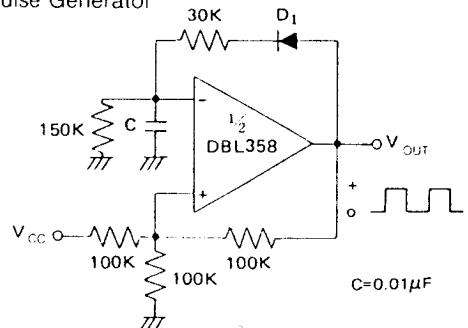
6. Fixed Current Sources



7. Ground Referencing a Differential input Signal



8. Pulse Generator





LittleDiode supplies new, hard to find or obsolete electronic components and semiconductors all over the world.

With over two million different components listed you are sure to find the part you need.

Feel free to visit us today at our online store:

[LittleDiode.com](http://LittleDiode.com)

Looking forward to providing you with the best possible service.