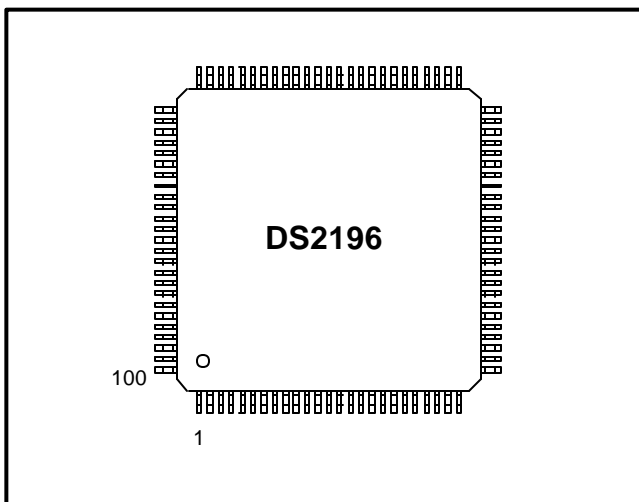


[www.maxim-ic.com](http://www.maxim-ic.com)

### GENERAL DESCRIPTION

The DS2196 T1 dual framer LIU is designed for T1 transmission equipment. The DS2196 combines dual optimized framers together with a LIU. This combination allows the users to extract and insert facility data-link (FDL) messages in the receive and transmit paths, collect line performance data, and perform basic channel conditioning and maintenance. The DS2196 contains all of the necessary functions for connection to T1 lines whether they are DS1 long haul or DSX-1 short haul. The clock recovery circuitry automatically adjusts to T1 lines from 0ft to over 6000ft in length. The device can generate both DSX-1 line buildouts as well as CSU line buildouts of -7.5dB, -15dB, and -22.5dB. The on-board jitter attenuator (selectable to either 32 bits or 128 bits) can be placed in either the transmit or receive data paths. The framer locates the frame and multiframe boundaries and monitors the data stream for alarms. The device contains a set of internal registers that the user can access and use to control the unit's operation of the unit. Quick access through the parallel control port allows a single controller to handle many T1 lines. The device fully meets all of the latest T1 specifications.

### PACKAGE OUTLINE



### FEATURES

- Two full-featured framers and a short/long-haul line interface unit (LIU) in one small package
- Based on Dallas Semiconductor's single-chip transceiver (SCT) family
- Two HDLC controllers with 64-byte buffers that can be used for the FDL or DS0 channels
- Supports NPRMs and SPRMs as per ANSI T1.403-1998
- Can be combined with a short/long-haul LIU or a HDSL modem chipset to create a low-cost office repeater/NIU/CSU, or a HDSL1/HDSL2 terminal unit with enhanced monitoring and data link control
- Supports fractional T1
- Can convert from D4 to ESF framing and ESF to D4 framing
- 32-bit or 128-bit crystal-less jitter attenuator
- Can generate and detect repeating in-band patterns from 1 to 8 bits or 16 bits in length
- Detects and generates RAI-CI and AIS-CI
- Generates DS1 idle codes
- On-chip programmable BERT generator and detector
- All key signals are routed to pins to support numerous hardware configurations
- Supports both NRZ and bipolar interfaces
- Can create errors in the F-bit position and BERT interface data paths
- 8-bit parallel control port that can be used directly on either multiplexed or nonmultiplexed buses (Intel or Motorola)
- IEEE 1149.1 JTAG Boundary Scan
- 3.3V supply with 5V tolerant inputs and outputs
- 100-pin LQFP (14 mm x 14 mm) package

### ORDERING INFORMATION

PART	TEMP RANGE	PIN-PACKAGE
DS2196L	0°C to +70°C	100 LQFP
DS2196LN	-40°C to +85°C	100 LQFP

**Note:** Some revisions of this device may incorporate deviations from published specifications known as errata. Multiple revisions of any device may be simultaneously available through various sales channels. For information about device errata, click here: [www.maxim-ic.com/errata](http://www.maxim-ic.com/errata).

---

**TABLE OF CONTENTS**

<b>1</b>	<b>INTRODUCTION.....</b>	<b>6</b>
1.1	FEATURE HIGHLIGHTS.....	6
1.2	TYPICAL APPLICATIONS.....	10
1.3	FUNCTIONAL DESCRIPTION.....	10
<b>2</b>	<b>PIN DESCRIPTION.....</b>	<b>10</b>
<b>3</b>	<b>PIN FUNCTION DESCRIPTION.....</b>	<b>13</b>
<b>4</b>	<b>REGISTER MAP.....</b>	<b>21</b>
<b>5</b>	<b>PARALLEL PORT.....</b>	<b>27</b>
<b>6</b>	<b>CONTROL, ID, AND TEST REGISTERS.....</b>	<b>27</b>
<b>7</b>	<b>STATUS AND INFORMATION REGISTERS.....</b>	<b>51</b>
<b>8</b>	<b>ERROR COUNT REGISTERS.....</b>	<b>64</b>
<b>9</b>	<b>SIGNALING OPERATION.....</b>	<b>68</b>
<b>10</b>	<b>DS0 MONITORING FUNCTION.....</b>	<b>70</b>
<b>11</b>	<b>PER-CHANNEL CODE (IDLE) GENERATION AND LOOPBACK.....</b>	<b>72</b>
11.1	TRANSMIT SIDE CODE GENERATION.....	72
11.2	RECEIVE SIDE CODE GENERATION.....	73
<b>12</b>	<b>PROGRAMMABLE IN-BAND CODE GENERATION AND DETECTION.....</b>	<b>74</b>
<b>13</b>	<b>CLOCK BLOCKING REGISTERS.....</b>	<b>83</b>
<b>14</b>	<b>TRANSMIT TRANSPARENCY.....</b>	<b>85</b>
<b>15</b>	<b>BERT FUNCTION.....</b>	<b>86</b>
15.1	BERT REGISTER DESCRIPTION.....	88
<b>16</b>	<b>ERROR INSERTION FUNCTION.....</b>	<b>96</b>
<b>17</b>	<b>HDLC CONTROLLER.....</b>	<b>99</b>
17.1	HDLC FOR DS0s.....	100
<b>18</b>	<b>FDL/FS EXTRACTION AND INSERTION.....</b>	<b>101</b>
18.1	HDLC AND BOC CONTROLLER FOR THE FDL.....	101
18.1.1	General Overview.....	101
18.1.2	Status Register for the HDLC.....	103
18.1.3	Basic Operation Details.....	103
18.1.4	HDLC/BOC Register Description.....	105

---

18.2	LEGACY FDL SUPPORT .....	115
18.2.1	Overview.....	115
18.2.2	Receive Section.....	115
18.2.3	Transmit Section.....	116
18.3	D4/SLC-96 OPERATION .....	117
<b>19</b>	<b>LINE INTERFACE FUNCTION.....</b>	<b>118</b>
19.1	RECEIVE CLOCK AND DATA RECOVERY .....	118
19.2	TRANSMIT WAVESHAPING AND LINE DRIVING.....	119
19.3	JITTER ATTENUATOR .....	120
<b>20</b>	<b>JTAG-BOUNDARY SCAN ARCHITECTURE AND TEST ACCESS PORT .....</b>	<b>124</b>
20.1	DESCRIPTION .....	124
20.2	TAP CONTROLLER STATE MACHINE.....	125
20.3	INSTRUCTION REGISTER AND INSTRUCTIONS.....	127
<b>21</b>	<b>TIMING DIAGRAMS.....</b>	<b>133</b>
<b>22</b>	<b>OPERATING PARAMETERS .....</b>	<b>141</b>
<b>23</b>	<b>100-PIN LQFP PACKAGE SPECIFICATIONS .....</b>	<b>157</b>

## LIST OF FIGURES

<b>Figure 1-1: T1 Dual Framer LIU .....</b>	<b>9</b>
<b>Figure 15-1: BERT Mux Diagram .....</b>	<b>87</b>
<b>Figure 19-1: External Analog Connections .....</b>	<b>121</b>
<b>Figure 19-2: Jitter Tolerance .....</b>	<b>122</b>
<b>Figure 19-3: Transmit Waveform Template .....</b>	<b>122</b>
<b>Figure 19-4: Jitter Attenuation.....</b>	<b>123</b>
<b>Figure 20-1: Boundary Scan Architecture .....</b>	<b>124</b>
<b>Figure 20-2: TAP Controller State Machine.....</b>	<b>127</b>
<b>Figure 21-1: Receive Side D4 Timing.....</b>	<b>133</b>
<b>Figure 21-2: Receive Side ESF Timing .....</b>	<b>134</b>
<b>Figure 21-3: Receive Side Boundary Timing .....</b>	<b>135</b>
<b>Figure 21-4: Transmit Side D4 Timing.....</b>	<b>136</b>
<b>Figure 21-5: Transmit Side ESF Timing .....</b>	<b>137</b>
<b>Figure 21-6: Transmit Side Boundary Timing .....</b>	<b>138</b>
<b>Figure 21-7: Transmit Data Flow.....</b>	<b>139</b>
<b>Figure 21-8: Receive Data Flow.....</b>	<b>140</b>
<b>Figure 22-1: Intel Bus Read AC Timing (BTS=0 / MUX = 1) .....</b>	<b>146</b>
<b>Figure 22-2: Intel Bus Write Timing (BTS=0 / MUX=1) .....</b>	<b>147</b>
<b>Figure 22-3: Motorola Bus AC Timing (BTS = 1 / MUX = 1) .....</b>	<b>148</b>
<b>Figure 22-4: Intel Bus Read AC Timing (BTS=0 / MUX=0) .....</b>	<b>149</b>
<b>Figure 22-5: Intel Bus Write AC Timing (BTS=0 / MUX=0) .....</b>	<b>150</b>
<b>Figure 22-6: Motorola Bus Read AC Timing (BTS=1 / MUX=0) .....</b>	<b>151</b>
<b>Figure 22-7: Motorola Bus Write AC Timing (BTS=1 / MUX=0) .....</b>	<b>152</b>
<b>Figure 22-8: Receive Side AC Timing.....</b>	<b>153</b>
<b>Figure 22-9: Receive Line Interface AC Timing.....</b>	<b>154</b>
<b>Figure 22-10: Transmit Side AC Timing.....</b>	<b>155</b>
<b>Figure 22-11: Transmit Line Interface Side AC Timing.....</b>	<b>156</b>

## LIST OF TABLES

<b>Table 2-1: Pin Description Sorted by Pin Number .....</b>	<b>10</b>
<b>Table 4-1: Register Map Sorted by Address .....</b>	<b>21</b>
<b>Table 6-1: Output Pin Test Modes .....</b>	<b>36</b>
<b>Table 6-2: Receive Data Source Mux Modes.....</b>	<b>37</b>
<b>Table 6-3: TPOSB/TNEGB Data Source Select.....</b>	<b>38</b>
<b>Table 7-1: Receive T1 Level Indication .....</b>	<b>57</b>
<b>Table 7-2: Alarm Criteria .....</b>	<b>59</b>
<b>Table 8-1: Line Code Violation Counting Arrangements.....</b>	<b>66</b>
<b>Table 8-2: Path Code Violation Counting Arrangements.....</b>	<b>67</b>
<b>Table 8-3: Multiframes Out Of Sync Counting Arrangements.....</b>	<b>67</b>
<b>Table 12-1: Transmit Code Length.....</b>	<b>75</b>
<b>Table 12-2: Receive Code Length .....</b>	<b>75</b>
<b>Table 15-1: Bert Pattern Select Options .....</b>	<b>89</b>
<b>Table 15-2: Repetitive Pattern Length Options .....</b>	<b>90</b>
<b>Table 15-3: Bert Rate Insertion Select.....</b>	<b>91</b>
<b>Table 16-1: Error Rate Options .....</b>	<b>98</b>
<b>Table 16-2: Error Insertion examples.....</b>	<b>99</b>
<b>Table 17-1: Transmit HDLC Configuration .....</b>	<b>99</b>
<b>Table 18-1: HDLC/BOC Controller Register List.....</b>	<b>102</b>
<b>Table 19-1: Line Build Out Select In LICR .....</b>	<b>119</b>
<b>Table 19-2: Transformer Specifications .....</b>	<b>120</b>
<b>Table 20-1: Instruction Codes For The DS21352/552 IEEE 1149.1 Architecture .....</b>	<b>128</b>
<b>Table 20-2: ID Code Structure .....</b>	<b>128</b>
<b>Table 20-3: Device ID Codes.....</b>	<b>129</b>
<b>Table 20-4: Boundary Scan Register Description.....</b>	<b>130</b>

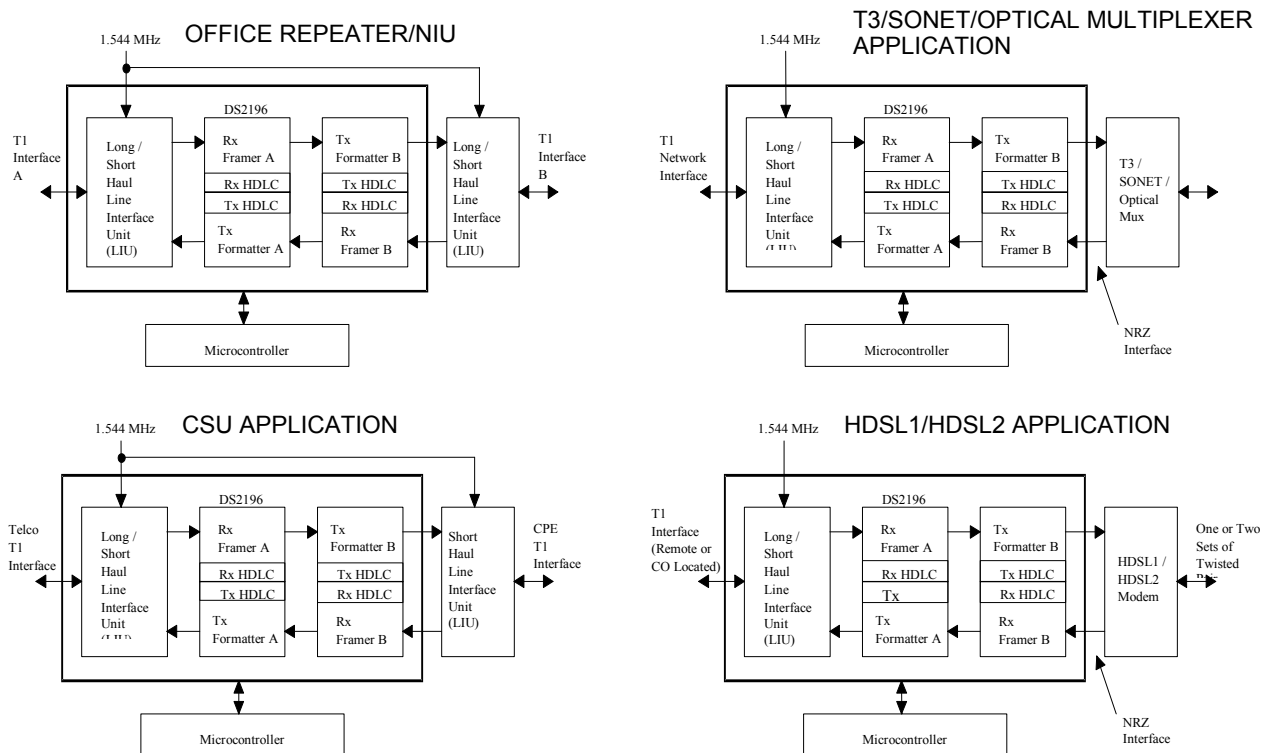
## 1. INTRODUCTION

The DS2196 is a derivative of the DS21352 T1 SCT. The feature set has been optimized for transport applications commonly found in T1 transmission equipment. The DS2196 register map and register bit definitions are compatible with the DS21352/DS21552, allowing for easy migration to the DS2196. Interface designs requiring per-channel code insertion, elastic stores, and ANSI 1's density monitoring should use the DS21352 or DS21552.

### 1.1 Feature Highlights

- Main features
  - Two full-featured independent framers
  - Short/long haul LIU
  - 100-pin LQFP small package
  - 3.3V operation with 5V tolerant I/O
- 8-bit parallel control port
  - Multiplexed or nonmultiplexed buses
  - Intel or Motorola formats
  - Polled or interrupt environments
- HDLC Support
  - Two independent HDLC controllers
  - 64-byte Rx and Tx buffers
  - Access FDL or single/multiple DS0 channels
- ANSI T1.403-1998 support
  - NPRMs
  - SPRMs
  - RAI-CI detection and generation
  - AIS-CI detection and generation
- Format Conversion
  - D4 to ESF framing
  - ESF to D4 framing
- LIU
  - Long and short-haul support
  - Receive sensitivity: 0dB to -36dB
  - 32-bit or 128-bit crystal-less jitter attenuator
  - DSX-1 and CSU line buildout options
  - Provisions for custom waveform generation
- DS1 Idle Code Generation
  - User-defined
  - Fixed 7F Hex
  - Digital milliwatt
- In-band repeating pattern generator and detector
  - Programmable pattern generator
  - Three programmable pattern detectors
- Patterns from 1 to 8 bits or 16 bits in length
- Programmable on-chip bit error-rate testing
  - Pseudorandom patterns including QRSS
  - User-defined repetitive patterns
  - Daly pattern
  - Error insertion
  - Bit and error counts
- Payload Error Insertion
  - Error insertion in the payload portion of the T1 frame in the transmit path
  - Errors can be inserted over the entire frame or selected channels
  - Insertion options include continuous and absolute number with selectable insertion rates
- Function Isolation
  - All key signals are routed to pins
  - LIU, Framer A, and Framer B can be disconnected from each other
- Supports both NRZ and bipolar interfaces
- F-bit corruption for line testing
- Programmable output clocks for Fractional T1
- Fully independent transmit and receive functionality in each framer
- Large path and line error counters including BPV, CV, CRC6, and framing bit errors
- Ability to calculate and check CRC6 according to the Japanese standard
- Ability to generate Yellow Alarm according to the Japanese standard
- Per channel loopback
- RCL, RLOS, RRA, and RAIS alarms interrupt on change of state
- Hardware pins to indicate receive loss-of-sync and receive bipolar violations
- IEEE 1149.1 JTAG Boundary Scan

## 1.2 Typical Applications



## 1.3 Functional Description

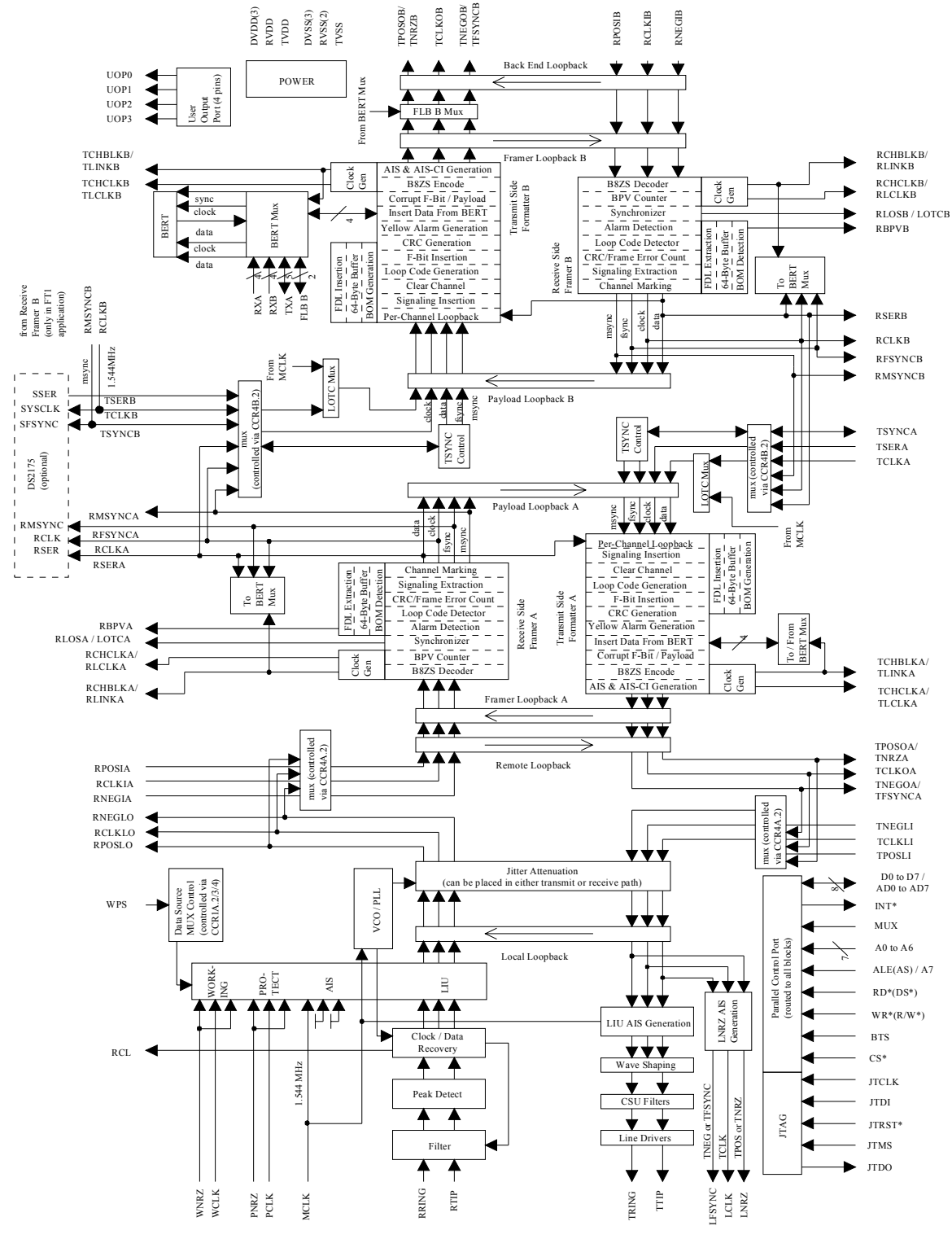
The analog AMI/B8ZS waveform off of the T1 line is transformer coupled into the RRING and RTIP pins of the DS2196. The device recovers clock and data from the analog signal and passes it through the optional jitter attenuator to the receive side framer where the digital serial stream is analyzed to locate the framing/multiframe pattern. The DS2196 contains an active filter that reconstructs the analog received signal for the nonlinear losses that occur in transmission. The device has a usable receive sensitivity of 0 dB to -36 dB, which allows the device to operate on cables up to 6000 feet in length. The receive side framer locates D4 (SLC-96) or ESF multiframe boundaries as well as detects incoming alarms including, carrier loss, loss of synchronization, blue (AIS) and yellow alarms.

The transmit side of the DS2196 is totally independent from the receive side in both the clock requirements and characteristics. The transmit formatter will provide the necessary frame/multiframe data overhead for T1 transmission. Once the data stream has been prepared for transmission, it is sent via the optional jitter attenuator to the wave shaping and line driver functions. The DS2196 will drive the T1 line from the TTIP and TRING pins via a coupling transformer. The line driver can handle both long haul (CSU) and short haul (DSX-1) lines.

**Reader's Note:** This data sheet assumes a particular nomenclature of the T1 operating environment. In each 125 $\mu$ s frame, there are 24 8-bit channels plus a framing bit. It is assumed that the framing bit is sent first followed by channel 1. Each channel is made up of 8 bits that are numbered 1 to 8. Bit number 1 is the MSB and is transmitted first. Bit number 8 is the LSB and is transmitted last. The following abbreviations are used throughout this data sheet:

BERT	Bit Error Rate Tester
D4	Superframe (12 frames per multiframe) Multiframe Structure
SLC-96	Subscriber Loop Carrier-96 Channels
ESF	Extended Superframe (24 frames per multiframe) Multiframe Structure
B8ZS	Bipolar with Eight Zero Substitution
CRC	Cyclical Redundancy Check
Ft	Terminal Framing Pattern in D4
Fs	Signaling Framing Pattern in D4
FPS	Framing Pattern in ESF
MF	Multiframe
BOC	Bit-Oriented Code
HDLC	High-Level Data-Link Control
FDL	Facility Data Link

Figure 1-1. T1 Dual Framer LIU



## 2. PIN DESCRIPTION

**Table 2-1. Pin Description Sorted by Pin Number**

PIN	SYMBOL	TYPE	FUNCTION
1	PCLK	I	Protect Clock Input.
2	PNRZ	I	Protect NRZ Data Input.
3	WCLK	I	Working Clock Input.
4	WNRZ	I	Working NRZ Data Input.
5	JTMS	I	IEEE 1149.1 Test Mode Select.
6	JTCLK	I	IEEE 1149.1 Test Clock Signal.
7	JTRST*	I	IEEE 1149.1 Test Reset.
8	JTDI	I	IEEE 1149.1 Test Data Input.
9	JTDO	O	IEEE 1149.1 Test Data Output.
10	RCL	O	Receive LIU Carrier Loss.
11	LNZR	O	LIU NRZ & Positive Data Output.
12	LCLK	O	LIU Clock Output.
13	LFSYNC	O	LIU Frame Sync Pulse & Negative Data Output.
14	RPOSLO	O	Receive Positive & NRZ Data Output from the LIU.
15	RNEGLO	O	Receive Negative & NRZ Data Output from the LIU.
16	RCLKLO	O	Receive Clock Output from the LIU.
17	BTS	I	Bus Type Select. 0 = Intel / 1 = Motorola.
18	RTIP	I	Receive Analog Tip Input.
19	RRING	I	Receive Analog Ring Input.
20	RVDD	–	Receive Analog Positive Supply. 3.3V (±5%).
21	RVSS	–	Receive Analog Signal Ground.
22	INT*	O	Interrupt. Open Drain. Active Low Signal.
23	RVSS	–	Receive Analog Signal Ground.
24	MCLK	I	Master Clock Input. 1.544 MHz (±50 ppm).
25	UOP3	O	User Defined Output Port Bit 3.
26	UOP2	O	User Defined Output Port Bit 2.
27	UOP1	O	User Defined Output Port Bit 1.
28	UOP0	O	User Defined Output Port Bit 0.
29	TTIP	O	Transmit Analog Tip Output.
30	TVSS	–	Transmit Analog Signal Ground.
31	TVDD	–	Transmit Analog Positive Supply. 3.3V (±5%).
32	TRING	O	Transmit Analog Ring Output.
33	TPOSLO	I	Transmit Positive & NRZ Data for the LIU.
34	TNEGLO	I	Transmit Negative & NRZ Data for the LIU.
35	TCLKLO	I	Transmit Clock Input for the LIU.
36	TCHBLKB/ TLINKB	I/O	Transmit Channel Blocking Clock Output from Formatter B / Transmit FDL Link Data Input for Formatter B.
37	TCHCLKB/ TLCLKB	O	Transmit DS0 Channel Clock Output from Formatter B / Transmit FDL Link Clock Output from Formatter B.
38	TSYNCB	I/O	Transmit Frame & Multiframe Pulse for/from Formatter B.
39	TCLKB	I	Transmit Clock Input for Formatter B.
40	TSERB	I	Transmit Serial Data Input for Formatter B.
41	TPOSOB/ TNRZB	O	Transmit Positive Data Output from Formatter B / Transmit NRZ Data Output from Formatter B.
42	TNEGOB / TFSYNCB	O	Transmit Negative Data Output from Formatter B / Transmit Frame Sync Pulse Output from Formatter B.

PIN	SYMBOL	TYPE	FUNCTION
43	TCLKOB	O	Transmit Clock Output from Formatter B.
44	DVSS	–	Digital Signal Ground.
45	DVDD	–	Digital Positive Supply. 3.3V ( $\pm 5\%$ ).
46	TCLKOA	O	Transmit Clock Output from Formatter A.
47	TNEGOA / TFSYNCA	O	Transmit Negative Data Output from Formatter A / Transmit Frame Sync Pulse Output from Formatter A.
48	TPOSOA / TNRZA	O	Transmit Positive Data Output / Transmit NRZ Data Output from Formatter A.
49	TSERA	I	Transmit Serial Data Input for Formatter A.
50	TCLKA	I	Transmit Clock Input for Formatter A.
51	TSYNCA	I/O	Transmit Frame & Multiframe Pulse for/from Formatter A.
52	TCHCLKA / TLCLKA	O	Transmit DS0 Channel Clock Output from Formatter A / Transmit FDL Link Clock Output from Formatter A.
53	TCHBLKA / TLINKA	I/O	Transmit Channel Blocking Clock Output from Formatter A / Transmit FDL Link Data Input for Formatter A.
54	MUX	I	Bus Operation. 0 = Non-Mux Bus / 1 = Mux Bus Operation.
55	D0 / AD0	I/O	Data Bus Bit 0 / Address/Data Bus Bit 0. LSB.
56	D1 / AD1	I/O	Data Bus Bit 1 / Address/Data Bus Bit 1.
57	D2 / AD2	I/O	Data Bus Bit 2 / Address/Data Bus Bit 2.
58	D3 / AD3	I/O	Data Bus Bit 3 / Address/Data Bus Bit 3.
59	D4 / AD4	I/O	Data Bus Bit 4 / Address/Data Bus Bit 4.
60	D5 / AD5	I/O	Data Bus Bit 5 / Address/Data Bus Bit 5.
61	D6 / AD6	I/O	Data Bus Bit 6 / Address/Data Bus Bit 6.
62	D7 / AD7	I/O	Data Bus Bit 7 / Address/Data Bus Bit 7. MSB.
63	DVSS	–	I/O Digital Signal Ground.
64	DVDD	–	I/O Digital Positive Supply. 3.3V ( $\pm 5\%$ ).
65	A0	I	Address Bus Bit 0. LSB.
66	A1	I	Address Bus Bit 1
67	A2	I	Address Bus Bit 2
68	A3	I	Address Bus Bit 3
69	A4	I	Address Bus Bit 4
70	A5	I	Address Bus Bit 5
71	A6	I	Address Bus Bit 6
72	A7 / ALE(AS)	I	Address Bus Bit 7 / Address Latch Enable (Address Strobe). MSB.
73	RD*(DS*)	I	Read Input (Data Strobe).
74	CS*	I	Chip Select. Active Low Signal.
75	WR*(R/W*)	I	Write Input (Read/Write).
76	RCHBLKA / RLINKA	O	Receive Channel Blocking Clock Output from Framer A / Receive FDL Link Data Output from Framer A.
77	RCHCLKA / RLCLKA	O	Receive DS0 Channel Clock Output from Framer A / Receive FDL Link Clock Output from Framer A.
78	RCLKIA	I	Receive Clock Input for Framer A.
79	RPOSIA	I	Receive Positive & NRZ Data Input for Framer A.
80	RNEGIA	I	Receive Negative & NRZ Data Input for Framer A.
81	RCLKA	O	Receive Clock Output from Framer A.
82	RSERA	O	Receive Serial Data Output from Framer A.
83	RMSYNCA	O	Receive Multiframe Pulse from Framer A.
84	RFSYNCA	O	Receive Frame Pulse from Framer A.
85	RLOSA/ LOTCA	O	Receive Loss Of Synchronization from Framer A / Loss of Transmit Clock Framer A.

PIN	SYMBOL	TYPE	FUNCTION
86	RBPVA	O	Receive bipolar Violation (BPV) from Framer A.
87	DVSS	–	Digital Signal Ground.
88	DVDD	–	Digital Positive Supply. 3.3V ( $\pm 5\%$ ).
89	RBPVB	O	Receive bipolar Violation (BPV) from Framer B.
90	RLOSS/ LOTCLB	O	Receive Loss Of Synchronization from Framer B / Loss of Transmit Clock Framer B.
91	RFSYNCLB	O	Receive Frame Pulse from Framer B.
92	RMSYNCLB	O	Receive Multiframe Pulse from Framer B.
93	RSERB	O	Receive Serial Data Output from Framer B.
94	RCLKB	O	Receive Clock Output from Framer B.
95	RNEGIB	I	Receive Negative & NRZ Data Input for Framer B.
96	RPOSIB	I	Receive Positive & NRZ Data Input for Framer B.
97	RCLKIB	I	Receive Clock Input for Framer B.
98	RCHCLKB / RLCLKB	O	Receive DS0 Channel Clock Output from Framer B / Receive FDL Link Clock Output from Framer B.
99	RCHBLKB / RLINKB	O	Receive Channel Blocking Clock Output from Framer B / Receive FDL Link Data Output from Framer B.
100	WPS	I	Working/Protect Select.

### 3. PIN FUNCTION DESCRIPTION

#### Transmit Side Pins

Signal Name: **TCLKA/B**

Signal Description: **Transmit Clock**

Signal Type: **Input**

A 1.544 MHz primary clock is applied here. Used to clock data through the transmit side formatters. TCLKA/B can be internally connected to RCLKB/A via the CCR4B.2 control bit.

Signal Name: **TSERA/B**

Signal Description: **Transmit Serial Data**

Signal Type: **Input**

Transmit NRZ serial data. Sampled on the falling edge of TCLKA or TCLKB. TSERA/B can be internally connected to RSERB/A via the CCR4B.2 control bit.

Signal Name: **TSYNCA/B**

Signal Description: **Transmit Sync**

Signal Type: **Input / Output**

When programmed as an input, a pulse at this pin will establish either frame or multiframe boundaries for the transmit side. Via TCR2A.2 and TCR2B.2, the DS2196 can be programmed to output either a frame or multiframe pulse at this pin. If this pin is set to output pulses at frame boundaries, it can also be set via TCR2A.4 and TCR2B.4 to output double-wide pulses at signaling frames. See Section 21 for details. TSYNCA/B can be internally connected to RMSYNCA/B via the CCR4B.2 control bit.

Signal Name: **TCHCLKA/B / TLCLKA/B**

Signal Description: **Transmit Channel Clock / Transmit Link Clock**

Signal Type: **Output**

A dual function pin depending on the setting of the CCR4A.1 and CCR4B.1 control bits. If TCHCLK is selected, a 192-kHz clock, which pulses high during the LSB of each channel, will be output. If TLCLK is selected, either a 4 kHz or 2 kHz (ZBTSI) demand clock for the TLINK data is output. This output signal is always synchronous with TCLKA or TCLKB. See Section 21 for details.

Signal Name: **TCHBLKA/B / TLINKA/B**

Signal Description: **Transmit Channel Block / Transmit Link Data**

Signal Type: **Input / Output**

A dual function pin depending on the setting of the CCR4A.1 and CCR4B.1 control bits. If TCHBLK is selected, a user programmable output that can be forced high or low during any of the 24 T1 channels is output. Useful for blocking clocks to a serial UART or LAPD controller in applications where not all T1 channels are used such as Fractional T1, 384 kbps service, 768 kbps, or ISDN-PRI. Also useful for locating individual channels in drop-and-insert applications, for external per-channel loopback, and for per-channel conditioning. See Section 21 for details. If TLINK is selected, this pin will be sampled on the falling edge of TCLKA or TCLKB for data insertion into either the FDL stream (ESF) or the Fs-bit position (D4) or the Z-bit position (ZBTSI). See Section 21 for details. This signal is always synchronous with TCLKA or TCLKB.

Signal Name: **TPOSOA/B / TNRZA/B**

Signal Description: **Transmit Positive & NRZ Data Output**

Signal Type: **Output**

Updated on the rising edge of TCLKOA and rising or falling edge of TCLKOB with either bipolar data or NRZ data out of the transmit side formatter. This pin can be programmed to source NRZ data via the Output Data Format (CCR1A.6 and CCR1B.6) control bits.

Signal Name: **TNEGA/B / TFSYNCA/B**  
 Signal Description: **Transmit Negative Data & Frame Sync Pulse Output**  
 Signal Type: **Output**

Updated on the rising edge of TCLKA or TCLKB with either bipolar data or a frame sync pulse out of the transmit side formatter. This pin can be programmed to source the frame sync pulse via the Output Data Format (CCR1A.6 and CCR1B.6) control bits.

## Receive Framer Pins

Signal Name: **RCHCLKA/B / RLCLKA/B**  
 Signal Description: **Receive Channel Clock / Receive Link Clock**  
 Signal Type: **Output**

A dual function pin depending on the setting of the CCR4A.1 and CCR4B.1 control bits. If RCHCLK is selected, a 192-kHz clock, which pulses high during the LSB of each channel, will be output. If RLCLK is selected, either a 4 kHz or 2 kHz (ZBTISI) clock for the RLINK data is output. This output signal is always synchronous with RCLKA or RCLKB.

Signal Name: **RCHBLKA/B / RLINKA/B**  
 Signal Description: **Receive Channel Block / Receive Link Data**  
 Signal Type: **Output**

A dual function pin depending on the setting of the CCR4A.1 and CCR4B.1 control bits. If RCHBLK is selected, a user programmable output that can be forced high or low during any of the 24 T1 channels. Useful for blocking clocks to a serial UART or LAPD controller in applications where not all T1 channels are used such as Fractional T1, 384 kbps service, 768 kbps, or ISDN-PRI. Also useful for locating individual channels in drop-and-insert applications, for external per-channel loopback, and for per-channel conditioning. See Section 21 for details. If RLINK is selected, then either FDL data (ESF) or Fs bits (D4) or Z bits (ZBTISI) one RCLKA before the start of a frame are output. See Section 21 for details. This signal is always synchronous with RCLKA or RCLKB.

Signal Name: **RSERA/B**  
 Signal Description: **Receive Serial Data**  
 Signal Type: **Output**

Received NRZ serial data. Updated on rising edges of RCLKA or RCLKB.

Signal Name: **RFSYNCA/B**  
 Signal Description: **Receive Frame Sync**  
 Signal Type: **Output**

An extracted pulse, one RCLKA or RCLKB wide, is output at this pin which identifies frame boundaries. Via RCR2A.5 and RCR2B.5, RFSYNC can also be set to output double-wide pulses on signaling frames. This signal is always synchronous with RCLKA or RCLKB.

Signal Name: **RMSYNCA/B**  
 Signal Description: **Receive Multiframe Sync**  
 Signal Type: **Output**

An extracted pulse, one RCLKA or RCLKB wide, is output at this pin which identifies multiframe boundaries. This signal is always synchronous with RCLKA or RCLKB.

Signal Name: **RLOSA/B / LOTCA/B**  
Signal Description: **Receive Loss of Sync / Loss of Transmit Clock**  
Signal Type: **Output**

A dual function output that is controlled by the CCR3.5 control bit. This pin can be programmed to either toggle high when the synchronizer is searching for the frame and multiframe or to toggle high if the TCLK pin has not been toggled for 5  $\mu$ sec.

Signal Name: **RBPVA/B**  
Signal Description: **Receive BPV**  
Signal Type: **Output**

This pin will toggle high for one RCLKA or RCLKB clock cycle for each bipolar Violation (BPV) detected by the framer.

Signal Name: **RPOSIA/B**  
Signal Description: **Receive Positive Data Input**  
Signal Type: **Input**

Sampled on the falling edge of RCLKIA and either rising or falling edge of RCLKIB for data to be clocked through the receive side framer. RPOSIA/B and RNEGIA/B can be tied together for a NRZ interface. RPOSIA be internally connected to RPOSLO via the CCR4A.2 control bit.

Signal Name: **RNEGIA/B**  
Signal Description: **Receive Negative Data Input**  
Signal Type: **Input**

Sampled on the falling edge of RCLKI for data to be clocked through the receive side framer. RPOSIA/B and RNEGIA/B can be tied together for a NRZ interface. RNEGIA be internally connected to RNEGLO via the CCR4A.2 control bit.

Signal Name: **RCLKIA/B**  
Signal Description: **Receive Clock Input**  
Signal Type: **Input**

Signal used to clock data through the receive side framers. RCLKIA can be internally connected to RCLKLO via the CCR4A.2 control bit.

## User Port Pins

Signal Name: **UOP0/1/2/3**  
Signal Description: **User Output Port**  
Signal Type: **Output**

These output port pins can be set low or high via the CCR7B.0 to CCR7B.3 control bits. The pins are forced low on power-up.

## Parallel Control Port Pins

Signal Name: **INT\***  
 Signal Description: **Interrupt**  
 Signal Type: **Output**

Flags host controller during conditions and change of states as defined in the Status Registers. Active low, open drain output.

Signal Name: **MUX**  
 Signal Description: **Bus Operation**  
 Signal Type: **Input**

Set low to select non-multiplexed bus operation. Set high to select multiplexed bus operation.

Signal Name: **D0 to D7 / AD0 to AD7**  
 Signal Description: **Data Bus or Address/Data Bus**  
 Signal Type: **Input / Output**

In non-multiplexed bus operation (MUX = 0), serves as the data bus. In multiplexed bus operation (MUX = 1), serves as a 8-bit multiplexed address / data bus.

Signal Name: **A0 to A6**  
 Signal Description: **Address Bus**  
 Signal Type: **Input**

In non-multiplexed bus operation (MUX = 0), serves as the address bus. In multiplexed bus operation (MUX = 1), these pins are not used and should be tied low.

Signal Name: **BTS**  
 Signal Description: **Bus Type Select**  
 Signal Type: **Input**

Strap high to select Motorola bus timing; strap low to select Intel bus timing. This pin controls the function of the RD\*(DS\*), ALE (AS), and WR\*(R/W\*) pins. If BTS = 1, then these pins assume the function listed in parenthesis ().

Signal Name: **RD\* (DS\*)**  
 Signal Description: **Read Input (Data Strobe)**  
 Signal Type: **Input**

RD\* is an active low signal. DS\* polarity is determined by the MUX pin setting. Refer to section 21 for details.

Signal Name: **CS\***  
 Signal Description: **Chip Select**  
 Signal Type: **Input**

Must be low to read or write to the device. CS\* is an active low signal.

Signal Name: **ALE(AS) / A7**  
 Signal Description: **A7 or Address Latch Enable (Address Strobe)**  
 Signal Type: **Input**

In non-multiplexed bus operation (MUX = 0), serves as the upper address bit. In multiplexed bus operation (MUX = 1), serves to demultiplex the bus on a positive-going edge.

Signal Name: **WR\* (R/W\*)**  
 Signal Description: **Write Input (Read/Write)**  
 Signal Type: **Input**

WR\* is an active low signal.

Signal Name: **JTCLK**  
 Signal Description: **JTAG IEEE 1149.1 Test Serial Clock**  
 Signal Type: **Input**  
 This signal is used to shift data into JTDI on the rising edge and out of JTDO on the falling edge. If not used, this pin should be pulled high.

Signal Name: **JTDI**  
 Signal Description: **JTAG IEEE 1149.1 Test Serial Data Input**  
 Signal Type: **Input**  
 Test instructions and data are clocked into this signal on the rising edge of JTCLK. If not used, this pin should be pulled high. This pin has an internal pull-up.

Signal Name: **JTDO**  
 Signal Description: **JTAG IEEE 1149.1 Test Serial Data Output**  
 Signal Type: **Output**  
 Test instructions are clocked out of this signal on the falling edge of JTCLK. If not used, this pin should be left open circuited.

Signal Name: **JTRST\***  
 Signal Description: **JTAG IEEE 1149.1 Test Reset**  
 Signal Type: **Input**  
 This signal is used to synchronously reset the test access port controller. At power up, JTRST must be set low and then high. This action will set the device into the boundary scan bypass mode allowing normal device operation. If boundary scan is not used, this pin should be held low. This pin has an internal pull-up.

Signal Name: **JTMS**  
 Signal Description: **JTAG IEEE 1149.1 Test Mode Select**  
 Signal Type: **Input**  
 This signal is sampled on the rising edge of JTCLK and is used to place the test port into the various defined IEEE 1149.1 states. If not used, this pin should be pulled high. This signal has an internal pull-up.

## Line Interface Pins

Signal Name: **MCLK**  
 Signal Description: **Master Clock Input**  
 Signal Type: **Input**  
 A 1.544 MHz ( $\pm 50$  ppm) clock source with TTL levels is applied at this pin. This clock is used internally for both clock/data recovery and for jitter attenuation. This clock is also used to source AIS within the LIU.

Signal Name: **RTIP & RRING**  
 Signal Description: **Receive Tip and Ring**  
 Signal Type: **Input**  
 Analog inputs for clock recovery circuitry. These pins connect via a 1:1 transformer to the T1 line. See Section 19 for details.

Signal Name: **TTIP & TRING**  
 Signal Description: **Transmit Tip and Ring**  
 Signal Type: **Output**  
 Analog line driver outputs. These pins connect via a 1:2 step-up transformer to the T1 line. See Section 19 for details.

Signal Name: **LFSYNC**  
 Signal Description: **LIU Frame Sync**

Signal Type: **Output**

This digital output will provide either a frame synchronization pulse or the negative half of a bipolar data stream. The signal is based on what is provided at the TNEGLI input.

Signal Name: **LNRZ**

Signal Description: **LIU NRZ Data**

Signal Type: **Output**

This digital output will provide either a NRZ data stream or the positive half of a bipolar data stream. The signal is based on what is provided at the TPOSLI input.

Signal Name: **LCLK**

Signal Description: **LIU Clock**

Signal Type: **Output**

This digital output provides the 1.544 MHz transmit LIU clock. The signal is based on what is provided at the TCLKLI input.

Signal Name: **TNEGLI**

Signal Description: **Transmit Negative Data for the LIU**

Signal Type: **Input**

This digital input is used to pass either the negative half of a bipolar data stream or a frame synchronization pulse via the jitter attenuator block to the transmit line driver block and the LFSYNC output pin. Data input to this pin is sampled on the falling edge of TCLKLI. TNEGLI can be internally connected to TNEGOA/TFSYNCA via the CCR4A.2 control bit.

Signal Name: **TPOSLI**

Signal Description: **Transmit Positive Data for the LIU**

Signal Type: **Input**

This digital input is used to pass either the positive half of a bipolar data stream or a NRZ data stream via the jitter attenuator block to the transmit line driver block and the LNRZ output pin. Data input to this pin is sampled on the falling edge of TCLKLI. TPOSLI can be internally connected to TPOSOA/TNRZA via the CCR4A.2 control bit.

Signal Name: **TCLKLI**

Signal Description: **Transmit Clock for the LIU**

Signal Type: **Input**

This digital input is used to pass a 1.544 MHz clock via the jitter attenuator block to the transmit line driver block and the LCLK output pin. TCLKLI can be internally connected to TCLKOA via the CCR4A.2 control bit.

Signal Name: **WNRZ**

Signal Description: **Working NRZ Data**

Signal Type: **Input**

This digital input is used to pass a NRZ data stream via the Data Source Selection MUX and the jitter attenuator block to the RPOSLO and RNEGLO output pins. Data input to this pin is sampled on the falling or rising edge of WCLK.

Signal Name: **WCLK**

Signal Description: **Working Clock**

Signal Type: **Input**

This digital input is used to pass a 1.544 MHz clock via the Data Source Selection MUX and the jitter attenuator block to the RCLKLO output pin.

Signal Name: **PNRZ**  
Signal Description: **Protect NRZ Data**  
Signal Type: **Input**

This digital input is used to pass a NRZ data stream via the Data Source Selection MUX and the jitter attenuator block to the RPOSLO and RNEGLO output pins. Data input to this pin is sampled on the falling or rising edge of PCLK.

Signal Name: **PCLK**  
Signal Description: **Protect Clock**  
Signal Type: **Input**

This digital input is used to pass a 1.544 MHz clock via the Data Source Selection MUX and the jitter attenuator block to the RCLKLO output pin.

Signal Name: **RCL**  
Signal Description: **Receive Carrier Loss**  
Signal Type: **Output**

Set high when the line interface (LIU) detects a carrier loss.

Signal Name: **RPOSLO**  
Signal Description: **Receive Positive Data Output from the LIU**  
Signal Type: **Output**

Updated on the rising edge of RCLKLO with either bipolar data out of the LIU or NRZ data from the WNRZ or PNRZ inputs.

Signal Name: **RNEGLO**  
Signal Description: **Receive Negative Data Output from the LIU**  
Signal Type: **Output**

Updated on the rising edge of RCLKLO with either bipolar data out of the LIU or NRZ data from the WNRZ or PNRZ inputs.

Signal Name: **RCLKO**  
Signal Description: **Receive Clock Output**  
Signal Type: **Output**

Either a buffered recovered clock from the T1 line or the clock provided at the WCLK or PCLK inputs.

Signal Name: **WPS**  
Signal Description: **Working or Protect Select**  
Signal Type: **Input**

This digital input can be used to select between the WNRZ/WCLK (working) or PNRZ/PCLK (protect) data inputs. For this pin to be active the Data Source MUX must be properly configured via the CCR1A.2, CCR1A.3, and CCR1A.4 control bits.

## Supply Pins

Signal Name: **DVDD**  
Signal Description: **Digital Positive Supply**  
Signal Type: **Supply**  
3.3 volts  $\pm 5\%$ . Should be tied to the RVDD and TVDD pins.

Signal Name: **RVDD**  
Signal Description: **Receive Analog Positive Supply**  
Signal Type: **Supply**  
3.3 volts  $\pm 5\%$ . Should be tied to the DVDD and TVDD pins.

Signal Name: **TVDD**  
Signal Description: **Transmit Analog Positive Supply**  
Signal Type: **Supply**  
3.3 volts  $\pm 5\%$ . Should be tied to the RVDD and DVDD pins.

Signal Name: **DVSS**  
Signal Description: **Digital Signal Ground**  
Signal Type: **Supply**  
Should be tied to the RVSS and TVSS pins.

Signal Name: **RVSS**  
Signal Description: **Receive Analog Signal Ground**  
Signal Type: **Supply**  
0.0 volts. Should be tied to the DVSS and TVSS pins.

Signal Name: **TVSS**  
Signal Description: **Transmit Analog Ground**  
Signal Type: **Supply**  
0.0 volts. Should be tied to the DVSS and TVSS pins.

## 4. REGISTER MAP

**Table 4-1. Register Map Sorted By Address**

ADDRESS	R/W	REGISTER NAME	REGISTER ABBREVIATION
00	R/W	HDLC Control for Framer A	HCRA
01	R/W	HDLC Status from Framer A	HSRA
02	R/W	HDLC Interrupt Mask for Framer A	HIMRA
03	R/W	Receive HDLC Information for Framer A	RHIRA
04	R/W	Receive Bit Oriented Code for Framer A	RBOCA
05	R	Receive HDLC FIFO from Framer A	RHFA
06	R/W	Transmit HDLC Information for Formatter A	THIRA
07	R/W	Transmit Bit Oriented Code for Formatter A	TBOCA
08	W	Transmit HDLC FIFO for Formatter A	THFA
09	R/W	Test 2 for Framer A (Set to 00h on power-up)	—
0A	R/W	Common Control 7 for Framer A	CCR7A
0B	—	Reserved (Set to 00h on power-up)	—
0C	—	Reserved (Set to 00h on power-up)	—
0D	—	Reserved (Set to 00h on power-up)	—
0E	R	Interrupt Status Register	ISR
0F	R	Device ID	IDR
10	R/W	Receive Information 3 from Framer A	RIR3A
11	R/W	Common Control 4 for Framer A	CCR4A
12	R/W	In-Band Code Control for Framer A	IBCCA
13	R/W	Transmit Code Definition 1 for Framer A	TCD1A
14	R/W	Receive Up Code Definition 1 for Framer A	RUPCD1A
15	R/W	Receive Down Code Definition 1 for Framer A	RDNCD1A
16	R/W	Transmit Code Definition 2 for Framer A	TCD2A
17	R/W	Receive Up Code Definition 2 for Framer A	RUPCD2A
18	R/W	Receive Down Code Definition 2 for Framer A	RDNCD2A
19	R/W	Common Control 5 for Framer A	CCR5A
1A	R	Transmit DS0 Monitor for Framer A	TDS0MA
1B	R/W	Receive Spare Code Definition 1 for Framer A	RSCD1A
1C	R/W	Receive Spare Code Definition 2 for Framer A	RSCD2A
1D	R/w	Receive Spare Code Control for Framer A	RSCCA
1E	R/W	Common Control 6 for Framer A	CCR6A
1F	R	Receive DS0 Monitor from Framer A	RDS0MA
20	R/W	Status 1 from Framer A	SR1A
21	R/W	Status 2 from Framer A	SR2A
22	R/W	Receive Information 1 from Framer A	RIR1A
23	R	Line Code Violation Count 1 from Framer A	LCVCR1A
24	R	Line Code Violation Count 2 from Framer A	LCVCR2A
25	R	Path Code Violation Count 1 from Framer A Multiframe Out of Sync Count 1 from Framer A	PCVCR1A MOSCR1A
26	R	Path Code violation Count 2 from Framer A	PCVCR2A
27	R	Multiframe Out of Sync Count 2 from Framer A	MOSCR2A
28	R	Receive FDL Register from Framer A	RFDLA
29	R/W	Receive FDL Match 1 for Framer A	RMTCH1A
2A	R/W	Receive FDL Match 2 for Framer A	RMTCH2A
2B	R/W	Receive Control 1 for Framer A	RCR1A

ADDRESS	R/W	REGISTER NAME	REGISTER ABBREVIATION
2C	R/W	Receive Control 2 for Framer A	RCR2A
2D	R/W	Receive Mark 1 for Framer A	RMR1A
2E	R/W	Receive Mark 2 for Framer A	RMR2A
2F	R/W	Receive Mark 3 for Framer A	RMR3A
30	R/W	Common Control 3 for Framer A	CCR3A
31	R/W	Receive Information 2 for Framer A	RIR2A
32	R/W	Transmit Channel Blocking 1 for Formatter A	TCBR1A
33	R/W	Transmit Channel blocking 2 for Formatter A	TCBR2A
34	R/W	Transmit Channel Blocking 3 for Formatter A	TCBR3A
35	R/W	Transmit Control 1 for Formatter A	TCR1A
36	R/W	Transmit Control 2 for Formatter A	TCR2A
37	R/W	Common Control 1 for Framer A	CCR1A
38	R/W	Common Control 2 for Framer A	CCR2A
39	R/W	Transmit Transparency 1 for Formatter A	TTR1A
3A	R/W	Transmit Transparency 2 for Formatter A	TTR2A
3B	R/W	Transmit Transparency 3 for Formatter A	TTR3A
3C	R/W	Transmit Idle 1 for Formatter A	TIR1A
3D	R/W	Transmit Idle 2 for Formatter A	TIR2A
3E	R/W	Transmit Idle 3 for Formatter A	TIR3A
3F	R/W	Transmit Idle Definition for Formatter A	TIDRA
40	R/W	BERT Control Register 0	BC0
41	R/W	BERT Control Register 1	BC1
42	R/W	BERT Control Register 2	BC2
43	R	BERT Information Register	BIR
44	R/W	BERT Alternating Word Count	BAWC
45	R/W	BERT Repetitive Pattern Set Register 0	BRP0
46	R/W	BERT Repetitive Pattern Set Register 1	BRP1
47	R/W	BERT Repetitive Pattern Set Register 2	BRP2
48	R/W	BERT Repetitive Pattern Set Register 3	BRP3
49	R	BERT Bit Count Register 0	BBC0
4A	R	BERT Bit Count Register 1	BBC1
4B	R	BERT Bit Count Register 2	BBC2
4C	R	BERT Bit Count Register 3	BBC3
4D	R	BERT Bit Error Count Register 0	BEC0
4E	R	BERT Bit Error Count Register 1	BEC1
4F	R	BERT Bit Error Count Register 2	BEC2
50	R/W	BERT Interface Control	BIC
51	—	Reserved (Set to 00h on power-up)	—
52	—	Reserved (Set to 00h on power-up)	—
53	—	Reserved (Set to 00h on power-up)	—
54	—	Reserved (Set to 00h on power-up)	—
55	—	Reserved (Set to 00h on power-up)	—
56	—	Reserved (Set to 00h on power-up)	—
57	—	Reserved (Set to 00h on power-up)	—
58	—	Reserved (Set to 00h on power-up)	—
59	—	Reserved (Set to 00h on power-up)	—
5A	—	Reserved (Set to 00h on power-up)	—
5B	—	Reserved (Set to 00h on power-up)	—
5C	—	Reserved (Set to 00h on power-up)	—

ADDRESS	R/W	REGISTER NAME	REGISTER ABBREVIATION
5D	—	Reserved (Set to 00h on power-up)	—
5E	R/W	LIU Test Register 1 (Set to 00h on power-up)	—
5F	R/W	LIU Test Register 2 (Set to 00h on power-up)	—
60	R	Receive Signaling 1 from Framer A	RS1A
61	R	Receive Signaling 2 from Framer A	RS2A
62	R	Receive Signaling 3 from Framer A	RS3A
63	R	Receive Signaling 4 from Framer A	RS4A
64	R	Receive Signaling 5 from Framer A	RS5A
65	R	Receive Signaling 6 from Framer A	RS6A
66	R	Receive Signaling 7 from Framer A	RS7A
67	R	Receive Signaling 8 from Framer A	RS8A
68	R	Receive Signaling 9 from Framer A	RS9A
69	R	Receive Signaling 10 from Framer A	RS10A
6A	R	Receive Signaling 11 from Framer A	RS11A
6B	R	Receive Signaling 12A from Framer A	RS12A
6C	R/W	Receive Channel Blocking 1 for Framer A	RCBR1A
6D	R/W	Receive Channel Blocking 2 for Framer A	RCBR2A
6E	R/W	Receive Channel Blocking 3 for Framer A	RCBR3A
6F	R/W	Interrupt Mask 2 for Framer A.	IMR2A
70	R/W	Transmit Signaling 1 for Formatter A	TS1A
71	R/W	Transmit Signaling 2 for Formatter A	TS2A
72	R/W	Transmit Signaling 3 for Formatter A	TS3A
73	R/W	Transmit Signaling 4 for Formatter A	TS4A
74	R/W	Transmit Signaling 5 for Formatter A	TS5A
75	R/W	Transmit Signaling 6 for Formatter A	TS6A
76	R/W	Transmit Signaling 7 for Formatter A	TS7A
77	R/W	Transmit Signaling 8 for Formatter A	TS8A
78	R/W	Transmit Signaling 9 for Formatter A	TS9A
79	R/W	Transmit Signaling 10 for Formatter A	TS10A
7A	R/W	Transmit Signaling 11 for Formatter A	TS11A
7B	R/W	Transmit Signaling 12 for Formatter A	TS12A
7C	R/W	Line Interface Control	LICR
7D	R/W	Test 1 for Framer A (Set to 00h on power-up)	—
7E	R/W	Transmit FDL Register for Formatter A	TFDLA
7F	R/W	Interrupt Mask Register 1 for Framer A	IMR1A
80	R/W	Error Rate Control for Framer A	ERCA
81	W	Number of Errors 1 for Framer A	NOE1A
82	W	Number of Errors 2 for Framer A	NOE2A
83	R	Number of Errors Left 1 for Framer A	NOEL1A
84	R	Number of Errors Left 2 for Framer A	NOEL2A
85	R/W	Error Rate Control for Framer B	ERCB
86	W	Number of Errors 1 for Framer B	NOE1B
87	W	Number of Errors 2 for Framer B	NOE2B
88	R	Number of Errors Left 1 for Framer B	NOEL1B
89	R	Number of Errors Left 2 for Framer B	NOEL2B
8A	—	Reserved (Set to 00h on power-up)	—
8B	—	Reserved (Set to 00h on power-up)	—
8C	—	Reserved (Set to 00h on power-up)	—
8D	—	Reserved (Set to 00h on power-up)	—

ADDRESS	R/W	REGISTER NAME	REGISTER ABBREVIATION
8E	—	Reserved (Set to 00h on power-up)	—
8F	—	Reserved (Set to 00h on power-up)	—
90	R/W	Receive HDLC DS0 Control Register 1 for Framer A	RDC1A
91	R/W	Receive HDLC DS0 Control Register 2 for Framer A	RDC2A
92	R/W	Transmit HDLC DS0 Control Register 1 for Formatter A	TDC1A
93	R/W	Transmit HDLC DS0 Control Register 2 for Formatter A	TDC2A
94	R/W	Receive HDLC DS0 Control Register 1 for Framer B	RDC1B
95	R/W	Receive HDLC DS0 Control Register 2 for Framer B	RDC2B
96	R/W	Transmit HDLC DS0 Control Register 1 for Formatter B	TDC1B
97	R/W	Transmit HDLC DS0 Control Register 2 for Formatter B	TDC2B
98	—	Reserved (Set to 00h on power-up)	—
99	—	Reserved (Set to 00h on power-up)	—
9A	—	Reserved (Set to 00h on power-up)	—
9B	—	Reserved (Set to 00h on power-up)	—
9C	—	Reserved (Set to 00h on power-up)	—
9D	—	Reserved (Set to 00h on power-up)	—
9E	—	Reserved (Set to 00h on power-up)	—
A0	R/W	HDLC Control for Framer B	HCRB
A1	R/W	HDLC Status from Framer B	HSRB
A2	R/W	HDLC Interrupt Mask for Framer B	HIMRB
A3	R/W	Receive HDLC Information for Framer B	RHIRB
A4	R/W	Receive Bit Oriented Code for Framer B	RBOCB
A5	R	Receive HDLC FIFO from Framer B	RHFB
A6	R/W	Transmit HDLC Information for Formatter B	THIRB
A7	R/W	Transmit Bit Oriented Code for Formatter B	TBOCB
A8	W	Transmit HDLC FIFO for Formatter B	THFB
A9	R/W	Test 2 for Framer B (Set to 00h on power-up)	—
AA	R/W	Common Control 7 for Framer B	CCR7B
AB	—	Reserved (Set to 00h on power-up)	—
AC	—	Reserved (Set to 00h on power-up)	—
AD	—	Reserved (Set to 00h on power-up)	—
AE	—	Reserved (Set to 00h on power-up)	—
AF	—	Reserved (Set to 00h on power-up)	—
B0	R/W	Receive Information 3 from Framer B	RIR3B
B1	R/W	Common Control 4 for Framer B	CCR4B
B2	R/W	In-Band Code Control for Framer B	IBCCB
B3	R/W	Transmit Code Definition 1 for Framer B	TCD1B
B4	R/W	Receive Up Code Definition 1 for Framer B	RUPCD1B
B5	R/W	Receive Down Code Definition 1 for Framer B	RDNCD1B
B6	R/W	Transmit Code Definition 2 for Framer B	TCD2B
B7	R/W	Receive Up Code Definition 2 for Framer B	RUPCD2B
B8	R/W	Receive Down Code Definition 2 for Framer B	RDNCD2B

ADDRESS	R/W	REGISTER NAME	REGISTER ABBREVIATION
B9	R/W	Common Control 5 for Framer B	CCR5B
BA	R	Transmit DS0 Monitor from Formatter B	TDS0MB
BB	R/W	Receive Spare Code Definition 1 for Framer B	RSCD1B
BC	R/W	Receive Spare Code Definition 2 for Framer B	RSCD2B
BD	R/W	Receive Spare Code Control for Framer B	RSCCB
BE	R/W	Common Control 6 for Framer B	CCR6B
BF	R	Receive DS0 Monitor from Framer B	RDS0MB
C0	R/W	Status 1 from Framer B	SR1B
C1	R/W	Status 2 from Framer B	SR2B
C2	R/W	Receive Information 1 from Framer B	RIR1B
C3	R	Line Code Violation Count 1 from Framer B	LCVCR1B
C4	R	Line Code Violation Count 2 from Framer B	LCVCR2B
C5	R	Path Code Violation Count 1 from Framer B Multiframe Out of Sync Count 1 from Framer B	PCVCR1B MOSCR1B
C6	R	Path Code violation Count 2 from Framer B	PCVCR2B
C7	R	Multiframe Out of Sync Count 2 from Framer B	MOSCR2B
C8	R	Receive FDL Register from Framer B	RFDLB
C9	R/W	Receive FDL Match 1 for Framer B	RMTCH1B
CA	R/W	Receive FDL Match 2 for Framer B	RMTCH2B
CB	R/W	Receive Control 1 for Framer B	RCR1B
CC	R/W	Receive Control 2 for Framer B	RCR2B
CD	R/W	Receive Mark 1 for Framer B	RMR1B
CE	R/W	Receive Mark 2 for Framer B	RMR2B
CF	R/W	Receive Mark 3 for Framer B	RMR3B
D0	R/W	Common Control 3 for Framer B	CCR3B
D1	R/W	Receive Information 2 from Framer B	RIR2B
D2	R/W	Transmit Channel Blocking 1 for Formatter B	TCBR1B
D3	R/W	Transmit Channel blocking 2 for Formatter B	TCBR2B
D4	R/W	Transmit Channel Blocking 3 for Formatter B	TCBR3B
D5	R/W	Transmit Control 1 for Framer B	TCR1B
D6	R/W	Transmit Control 2 for Framer B	TCR2B
D7	R/W	Common Control 1 for Framer B	CCR1B
D8	R/W	Common Control 2 for Framer B	CCR2B
D9	R/W	Transmit Transparency 1 for Formatter B	TTR1B
DA	R/W	Transmit Transparency 2 for Formatter B	TTR2B
DB	R/W	Transmit Transparency 3 for Formatter B	TTR3B
DC	R/W	Transmit Idle 1 for Formatter B	TIR1B
DD	R/W	Transmit Idle 2 for Formatter B	TIR2B
DE	R/W	Transmit Idle 3 for Formatter B	TIR3B
DF	R/W	Transmit Idle Definition for Formatter B	TIDRB
E0	R	Receive Signaling 1 from Framer B	RS1B
E1	R	Receive Signaling 2 from Framer B	RS2B
E2	R	Receive Signaling 3 from Framer B	RS3B
E3	R	Receive Signaling 4 from Framer B	RS4B
E4	R	Receive Signaling 5 from Framer B	RS5B
E5	R	Receive Signaling 6 from Framer B	RS6B
E6	R	Receive Signaling 7 from Framer B	RS7B
E7	R	Receive Signaling 8 from Framer B	RS8B
E8	R	Receive Signaling 9 from Framer B	RS9B

ADDRESS	R/W	REGISTER NAME	REGISTER ABBREVIATION
E9	R	Receive Signaling 10 from Framer B	RS10B
EA	R	Receive Signaling 11 from Framer B	RS11B
EB	R	Receive Signaling 12 from Framer B	RS12B
EC	R/W	Receive Channel Blocking 1 for Framer B	RCBR1B
ED	R/W	Receive Channel Blocking 2 for Framer B	RCBR2B
EE	R/W	Receive Channel Blocking 3 for Framer B	RCBR3B
EF	R/W	Interrupt Mask 2 for Framer B	IMR2B
F0	R/W	Transmit Signaling 1 for Formatter B	TS1B
F1	R/W	Transmit Signaling 2 for Formatter B	TS2B
F2	R/W	Transmit Signaling 3 for Formatter B	TS3B
F3	R/W	Transmit Signaling 4 for Formatter B	TS4B
F4	R/W	Transmit Signaling 5 for Formatter B	TS5B
F5	R/W	Transmit Signaling 6 for Formatter B	TS6B
F6	R/W	Transmit Signaling 7 for Formatter B	TS7B
F7	R/W	Transmit Signaling 8 for Formatter B	TS8B
F8	R/W	Transmit Signaling 9 for Formatter B	TS9B
F9	R/W	Transmit Signaling 10 for Formatter B	TS10B
FA	R/W	Transmit Signaling 11 for Formatter B	TS11B
FB	R/W	Transmit Signaling 12 for Formatter B	TS12B
FC	—	Reserved (Set to 00h on power-up)	—
FD	R/W	Test 1 for Framer B (Set to 00h on power-up)	—
FE	R/W	Transmit FDL Register for Framer B	TFDLB
FF	R/W	Interrupt Mask Register 1 for Framer B	IMR1B

**Note:** Framer A and B Test and Reserved registers are used only by the factory; these registers must be cleared (set to all 0's) on power-up initialization to ensure proper operation.

## 5. PARALLEL PORT

The DS2196 is controlled via either a nonmultiplexed (MUX = 0) or a multiplexed (MUX = 1) bus by an external microcontroller or microprocessor. The DS2196 can operate with either Intel or Motorola bus timing configurations. If the BTS pin is tied low, Intel timing will be selected; if tied high, Motorola timing will be selected. All Motorola bus signals are listed in parenthesis (). See the timing diagrams in the AC Electrical Characteristics in Section 22 for more details.

## 6. CONTROL, ID, AND TEST REGISTERS

Each framer in the DS2196 is configured via a set of eleven control registers. Typically, the control registers are only accessed when the system is first powered up. Once the DS2196 has been initialized, the control registers will only need to be accessed when there is a change in the system configuration. There are two Receive Control Registers (RCR1 and RCR2), two Transmit Control Registers (TCR1 and TCR2), and seven Common Control Registers (CCR1 to CCR7). Each of the eleven registers are described in this section. There is a device Identification Register (IDR) at address 0Fh. The MSB of this read-only register is fixed to a 0 indicating that a T1 device is present. The next 3 MSBs are used to indicate which T1 device is present. The lower 4 bits of the IDR are used to display the die revision of the chip.

### Power-Up Sequence

The DS2196 does not automatically clear its register space on power-up. After the supplies are stable, the register space should be configured for operation by writing to all of the internal registers. This includes setting the Test and all unused registers to 00Hex.

This can be accomplished using a two-pass approach.

1. Clear DS2196 register space by writing 00h to the addresses 00h through 0FFh.
2. Program required registers to achieve desired operating mode.

### IDR: DEVICE IDENTIFICATION REGISTER (Address = 0F Hex)

(MSB)							(LSB)
0	0	1	1	ID3	ID2	ID1	ID0

SYMBOL	POSITION	NAME AND DESCRIPTION
0	IDR.7	<b>Chip ID Bit 3.</b> MSB of DS2196 identification code. Set to 0.
0	IDR.6	<b>Chip ID Bit 2.</b> DS2196 identification code. Set to 0.
1	IDR.5	<b>Chip ID Bit 1.</b> DS2196 identification code. Set to 1.
1	IDR.4	<b>Chip ID Bit 0.</b> LSB of DS2196 identification code. Set to 1.
ID3	IDR.3	<b>Chip Revision Bit 3.</b> MSB of a decimal code that represents the chip revision.
ID2	IDR.1	<b>Chip Revision Bit 2.</b>
ID1	IDR.2	<b>Chip Revision Bit 1.</b>
ID0	IDR.0	<b>Chip Revision Bit 0.</b> LSB of a decimal code that represents the chip revision.

The factory in testing the DS2196 uses the two Test Registers at addresses 09 and 7D hex. On power-up, the Test Registers should be set to 00 hex in order for the DS2196 to operate properly.

## RCR1A: RECEIVE CONTROL REGISTER 1 FRAMER A (Address = 2B Hex)

(MSB)				(LSB)			
LCVCRF	ARC	OOF1	OOF2	SYNCC	SYNCT	SYNCE	RESYNC

SYMBOL	POSITION	NAME AND DESCRIPTION
LCVCRF	RCR1A.7	<b>Line Code Violation Count Register Function Select.</b> 0 = do not count excessive 0's 1 = count excessive 0's
ARC	RCR1A.6	<b>Auto Resync Criteria.</b> 0 = Resync on OOF or RCL event 1 = Resync on OOF only
OOF1	RCR1A.5	<b>Out Of Frame Select 1.</b> 0 = 2/4 frame bits in error 1 = 2/5 frame bits in error
OOF2	RCR1A.4	<b>Out Of Frame Select 2.</b> 0 = follow RCR1.5 1 = 2/6 frame bits in error
SYNCC	RCR1A.3	<b>Sync Criteria.</b> <b>In D4 Framing Mode.</b> 0 = search for Ft pattern, then search for Fs pattern 1 = cross couple Ft and Fs pattern <b>In ESF Framing Mode.</b> 0 = search for FPS pattern only 1 = search for FPS and verify with CRC6
SYNCT	RCR1A.2	<b>Sync Time.</b> 0 = qualify 10 bits 1 = qualify 24 bits
SYNCE	RCR1A.1	<b>Sync Enable.</b> 0 = auto resync enabled 1 = auto resync disabled
RESYNC	RCR1A.0	<b>Resync.</b> When toggled from low to high, a resynchronization of the receive side framer is initiated. Must be cleared and set again for a subsequent resync.

**RCR1B: RECEIVE CONTROL REGISTER 1 FRAMER B (Address = CB Hex)**

(MSB)				(LSB)			
LCVCRF	ARC	OOF1	OOF2	SYNCC	SYNCT	SYNCE	RESYNC

SYMBOL	POSITION	NAME AND DESCRIPTION
LCVCRF	RCR1B.7	<b>Line Code Violation Count Register Function Select.</b> 0 = do not count excessive 0's 1 = count excessive 0's
ARC	RCR1B.6	<b>Auto Resync Criteria.</b> 0 = Resync on OOF or RCL event 1 = Resync on OOF only
OOF1	RCR1B.5	<b>Out Of Frame Select 1.</b> 0 = 2/4 frame bits in error 1 = 2/5 frame bits in error
OOF2	RCR1B.4	<b>Out Of Frame Select 2.</b> 0 = follow RCR1.5 1 = 2/6 frame bits in error
SYNCC	RCR1B.3	<b>Sync Criteria.</b> <b>In D4 Framing Mode.</b> 0 = search for Ft pattern, then search for Fs pattern 1 = cross couple Ft and Fs pattern <b>In ESF Framing Mode.</b> 0 = search for FPS pattern only 1 = search for FPS and verify with CRC6
SYNCT	RCR1B.2	<b>Sync Time.</b> 0 = qualify 10 bits 1 = qualify 24 bits
SYNCE	RCR1B.1	<b>Sync Enable.</b> 0 = auto resync enabled 1 = auto resync disabled
RESYNC	RCR1B.0	<b>Resync.</b> When toggled from low to high, a resynchronization of the receive side framer is initiated. Must be cleared and set again for a subsequent resync.

## RCR2A: RECEIVE CONTROL REGISTER 2 FRAMER A (Address = 2C Hex)

(MSB)				(LSB)			
RCS	–	–	–	–	RD4YM	FSBE	MOSCRF

SYMBOL	POSITION	NAME AND DESCRIPTION
RCS	RCR2A.7	<b>Receive Code Select.</b> See Section 11 for more details. 0 = idle code (7F Hex) 1 = digital milliwatt code (1E/0B/0B/1E/9E/8B/8B/9E Hex)
–	RCR2A.6	<b>Not Assigned.</b> Should be set to 0 when written to.
–	RCR2A.5	<b>Not Assigned.</b> Should be set to 0 when written to.
–	RCR2A.4	<b>Not Assigned.</b> Should be set to 0 when written to.
–	RCR2A.3	<b>Not Assigned.</b> Should be set to 0 when written to.
RD4YM	RCR2A.2	<b>Receive Side D4 Yellow Alarm Select.</b> 0 = 0s in bit 2 of all channels 1 = a 1 in the S-bit position of frame 12
FSBE	RCR2A.1	<b>PCVCR Fs–Bit Error Report Enable.</b> 0 = do not report bit errors in Fs–bit position; only Ft bit position 1 = report bit errors in Fs–bit position as well as Ft bit position
MOSCRF	RCR2A.0	<b>Multiframe Out of Sync Count Register Function Select.</b> 0 = count errors in the framing bit position 1 = count the number of multiframe out of sync

**RCR2B: RECEIVE CONTROL REGISTER 2 FRAMER B (Address = CC Hex)**

(MSB)				(LSB)			
RCS	–	–	–	–	RD4YM	FSBE	MOSCRF

SYMBOL	POSITION	NAME AND DESCRIPTION
RCS	RCR2B.7	<b>Receive Code Select.</b> See Section 11 for more details. 0 = idle code (7F Hex) 1 = digital milliwatt code (1E/0B/0B/1E/9E/8B/8B/9E Hex)
–	RCR2B.6	<b>Not Assigned.</b> Should be set to 0 when written to.
–	RCR2B.5	<b>Not Assigned.</b> Should be set to 0 when written to.
–	RCR2B.4	<b>Not Assigned.</b> Should be set to 0 when written to.
–	RCR2B.3	<b>Not Assigned.</b> Should be set to 0 when written to.
RD4YM	RCR2B.2	<b>Receive Side D4 Yellow Alarm Select.</b> 0 = 0's in bit 2 of all channels 1 = a 1 in the S-bit position of frame 12
FSBE	RCR2B.1	<b>PCVCR Fs–Bit Error Report Enable.</b> 0 = do not report bit errors in Fs–bit position; only Ft bit position 1 = report bit errors in Fs–bit position as well as Ft bit position
MOSCRF	RCR2B.0	<b>Multiframe Out of Sync Count Register Function Select.</b> 0 = count errors in the framing bit position 1 = count the number of multiframe out of sync

**TCR1A: TRANSMIT CONTROL REGISTER 1 FRAMER A (Address = 35 Hex)**

(MSB)				(LSB)			
LOTCCM	TFPT	TCPT	RBSE	GB7S	TFDLS	TBL	TYEL

SYMBOL	POSITION	NAME AND DESCRIPTION
LOTCCM	TCR1A.7	<b>Loss Of Transmit Clock Mux Control.</b> Determines whether the transmit side of Formatter A should switch to MCLK if the TCLK input should fail to transition (see Figure 1.1 for details). 0 = do not switch to MCLK if TCLKA stops 1 = switch to MCLK if TCLKA stops
TFPT	TCR1A.6	<b>Transmit F–Bit Pass Through.</b> (see note below) 0 = F bits sourced internally 1 = F bits sampled at TSERA
TCPT	TCR1A.5	<b>Transmit CRC Pass Through.</b> (see note below) 0 = source CRC6 bits internally 1 = CRC6 bits sampled at TSERA during F–bit time
RBSE	TCR1A.4	<b>Robbed Bit Signaling Enable.</b> (see note below) 0 = no signaling is inserted in any channel 1 = signaling is inserted in all channels (the TTR registers can be used to block insertion on a channel by channel basis)
GB7S	TCR1A.3	<b>Global Bit 7 Stuffing.</b> (see note below) 0 = allow the TTR registers to determine which channels containing all 0's are to be Bit 7 stuffed 1 = force Bit 7 stuffing in all zero byte channels regardless of how the TTR registers are programmed
TFDLS	TCR1A.2	<b>TFDL Register Select.</b> (see note below) 0 = source FDL or Fs bits from the internal TFDL register (legacy FDL support mode) 1 = source FDL or Fs bits from the internal HDLC/BOC controller or the TLINKA pin
TBL	TCR1A.1	<b>Transmit Blue Alarm.</b> (see note below) 0 = transmit data normally 1 = transmit an unframed all 1's code at TPOSOA and TNEGOA
TYEL	TCR1A.0	<b>Transmit Yellow Alarm.</b> (see note below) 0 = do not transmit yellow alarm 1 = transmit yellow alarm

**NOTE:**

For a description of how the bits in TCR1A affect the transmit side formatter, see Figure 21-7.

**TCR1B: TRANSMIT CONTROL REGISTER 1 FRAMER B (Address = D5 Hex)**

(MSB)						(LSB)	
LOTCCM	TFPT	TCPT	RBSE	GB7S	TFDLS	TBL	TYEL

SYMBOL	POSITION	NAME AND DESCRIPTION
LOTCCM	TCR1B.7	<b>Loss Of Transmit Clock Mux Control.</b> Determines whether the transmit side of Formatter B should switch to MCLK if the TCLK input should fail to transition (see Figure 1.1 for details). 0 = do not switch to MCLK if TCLKB stops 1 = switch to MCLK if TCLKB stops
TFPT	TCR1B.6	<b>Transmit F–Bit Pass Through.</b> (see note below) 0 = F bits sourced internally 1 = F bits sampled at TSERB
TCPT	TCR1B.5	<b>Transmit CRC Pass Through.</b> (see note below) 0 = source CRC6 bits internally 1 = CRC6 bits sampled at TSERB during F–bit time
RBSE	TCR1B.4	<b>Robbed Bit Signaling Enable.</b> (see note below) 0 = no signaling is inserted in any channel 1 = signaling is inserted in all channels (the TTR registers can be used to block insertion on a channel by channel basis)
GB7S	TCR1B.3	<b>Global Bit 7 Stuffing.</b> (see note below) 0 = allow the TTR registers to determine which channels containing all 0's are to be Bit 7 stuffed 1 = force Bit 7 stuffing in all zero byte channels regardless of how the TTR registers are programmed
TFDLS	TCR1B.2	<b>TFDL Register Select.</b> (see note below) 0 = source FDL or Fs bits from the internal TFDL register (legacy FDL support mode) 1 = source FDL or Fs bits from the internal HDLC/BOC controller or the TLINKB pin
TBL	TCR1B.1	<b>Transmit Blue Alarm.</b> (see note below) 0 = transmit data normally 1 = transmit an unframed all 1's code at TPOSOB and TNEGOB
TYEL	TCR1B.0	<b>Transmit Yellow Alarm.</b> (see note below) 0 = do not transmit yellow alarm 1 = transmit yellow alarm

**NOTE:**

For a description of how the bits in TCR1B affect the transmit side formatter, see Figure 21-7.

## TCR2A: TRANSMIT CONTROL REGISTER 2 FRAMER A (Address = 36 Hex)

(MSB)						(LSB)	
TEST1	TEST0	TAISM	TSDW	TSM	TSIO	TD4YM	TB7ZS

SYMBOL	POSITION	NAME AND DESCRIPTION
TEST1	TCR2A.7	<b>Test Mode Bit 1 for Output Pins.</b> See Table 6–1.
TEST0	TCR2A.6	<b>Test Mode Bit 0 for Output Pins.</b> See Table 6–1.
TAISM	TCR2A.5	<b>Transmit AIS Mode.</b> 0 = normal AIS 1 = AIS-CI
TSDW	TCR2A.4	<b>TSYNCA Double–Wide.</b> (note: this bit must be set to 0 when TCR2.3=1 or when TCR2.2=0) 0 = do not pulse double–wide in signaling frames 1 = do pulse double–wide in signaling frames
TSM	TCR2A.3	<b>TSYNCA Mode Select.</b> 0 = frame mode (see the timing in Section 21) 1 = multiframe mode (see the timing in Section 21)
TSIO	TCR2A.2	<b>TSYNCA I/O Select.</b> 0 = TSYNCA is an input 1 = TSYNCA is an output
TD4YM	TCR2A.1	<b>Transmit Side D4 Yellow Alarm Select.</b> 0 = 0's in bit 2 of all channels 1 = a 1 in the S–bit position of frame 12
TB7ZS	TCR2A.0	<b>Transmit Side Bit 7 Zero Suppression Enable.</b> 0 = no stuffing occurs 1 = Bit 7 force to a 1 in channels with all 0's

## TCR2B: TRANSMIT CONTROL REGISTER 2 FRAMER B (Address = D6 Hex)

(MSB)								(LSB)
–	–	TAISM	TSDW	TSM	TSIO	TD4YM	TB7ZS	

SYMBOL	POSITION	NAME AND DESCRIPTION
–	TCR2B.7	<b>Not Assigned.</b> Should be set to 0 when written to.
–	TCR2B.6	<b>Not Assigned.</b> Should be set to 0 when written to.
TAISM	TCR2A.5	<b>Transmit AIS Mode.</b> 0 = normal AIS 1 = AIS-CI
TSDW	TCR2B.4	<b>TSYNCB Double–Wide.</b> (note: this bit must be set to 0 when TCR2.3=1 or when TCR2.2=0) 0 = do not pulse double–wide in signaling frames 1 = do pulse double–wide in signaling frames
TSM	TCR2B.3	<b>TSYNCB Mode Select.</b> 0 = frame mode (see the timing in Section 21) 1 = multiframe mode (see the timing in Section 21)
TSIO	TCR2B.2	<b>TSYNCB I/O Select.</b> 0 = TSYNCB is an input 1 = TSYNCB is an output
TD4YM	TCR2B.1	<b>Transmit Side D4 Yellow Alarm Select.</b> 0 = zeros in bit 2 of all channels 1 = a 1 in the S–bit position of frame 12
TB7ZS	TCR2B.0	<b>Transmit Side Bit 7 Zero Suppression Enable.</b> 0 = no stuffing occurs 1 = Bit 7 force to a 1 in channels with all 0's

Table 6-1: **OUTPUT PIN TEST MODES**

TEST 1	TEST 0	EFFECT ON OUTPUT PINS
0	0	operate normally
0	1	force all output pins into 3-state (including all I/O pins and parallel port pins)
1	0	force all output pins low (including all I/O pins except parallel port pins)
1	1	force all output pins high (including all I/O pins except parallel port pins)

**CCR1A: COMMON CONTROL REGISTER 1 FRAMER A (Address = 37 Hex)**

(MSB)							(LSB)
TRAIM	ODF	RSAO	RDS2	RDS1	RDS0	PLB	FLB

SYMBOL	POSITION	NAME AND DESCRIPTION
TRAIM	CCR1A.7	<b>Transmit RAI Mode.</b> Only used in ESF framing mode. 0 = normal RAI 1 = RAI-CI
ODF	CCR1A.6	<b>Output Data Format.</b> 0 = bipolar data at TPOSOA and TNEGOA 1 = NRZ data at TPOSOA; TNEGOA = TSYNCA delayed by 10 TCLKAs
RSAO	CCR1A.5	<b>Receive Signaling All 1's.</b> 0 = allow robbed signaling bits to appear at RSERA 1 = force all robbed signaling bits at RSERA to 1
RDS2	CCR1A.4	<b>Receive Data Source Bit 2</b> See Table 6–2.
RDS1	CCR1A.3	<b>Receive Data Source Bit 1</b> See Table 6–2.
RDS0	CCR1A.2	<b>Receive Data Source Bit 0</b> See Table 6–2.
PLB	CCR1A.1	<b>Payload Loopback.</b> 0 = loopback disabled 1 = loopback enabled
FLB	CCR1A.0	<b>Framer Loopback.</b> 0 = loopback disabled 1 = loopback enabled

Table 6-2: Receive Data Source Mux Modes

RDS2	RDS1	RDS0	Data Source
0	0	0	AIS Generator
0	0	1	Line Interface Unit
0	1	0	PNRZ and PCLK
0	1	1	WNRZ and WCLK
1	X	X	WPS pin selects source 0 = source from PNRZ/PCLK pins 1 = source from WNRZ/WCLK pins

**CCR1B: COMMON CONTROL REGISTER 1 FRAMER B (Address = D7 Hex)**

(MSB)				(LSB)			
TRAIM	ODF	RSOA	–	TDSS1	TDSS0	PLB	FLB

SYMBOL	POSITION	NAME AND DESCRIPTION
TRAIM	CCR1B.7	<b>Transmit RAI Mode.</b> Only used in ESF framing mode. 0 = normal RAI 1 = RAI-CI
ODF	CCR1B.6	<b>Output Data Format.</b> 0 = bipolar data at TPOSOB and TNEGOB 1 = TX NRZ data at TPOSOB; TNEGOB = TFSYNCB = TSYNCB delayed by 10 TCLKBs
RSOA	CCR1B.5	<b>Receive Signaling All 1's.</b> 0 = allow robbed signaling bits to appear at RSERB 1 = force all robbed signaling bits at RSERB to 1
–	CCR1B.4	<b>Not Assigned.</b> Should be set to 0 when written to.
TDSS1	CCR1B.3	<b>TPOS/TNEG Data Source Select 1.</b> Used to select the data source for the TPOSOB & TNEGOB pins when Framers Loopback is active. See table 6-3.
TDSS0	CCR1B.2	<b>TPOS/TNEG Data Source Select 0.</b> Used to select the data source for the TPOSOB & TNEGOB pins when Framers Loopback is active. See table 6-3.
PLB	CCR1B.1	<b>Payload Loopback.</b> 0 = loopback disabled 1 = loopback enabled
FLB	CCR1B.0	<b>Framer Loopback.</b> 0 = loopback disabled 1 = loopback enabled

**Table 6-3: TPOSB/TNEGB Data Source Select**

TTDSS1	TTDSS0	Data Source
0	0	Pass tpos/tclk/tneg from the framer through to the TPOSOB/TCLKOB/TNEGOB pins.
0	1	Force TPOSOB to source data from the BERT circuit. TNEGOB is the frame sync pulse.
1	0	Force TPOSOB high. TNEGOB is the frame sync pulse.
1	1	Force TPOSOB and TNEGOB high.

### **Payload Loopback A**

Payload Loopback When CCR1A.1 is set to a 1, the Framer/Formatter A will be forced into Payload Loopback (PLB). Normally, this loopback is only enabled when ESF framing is being performed but can be enabled also in D4 framing applications. In a PLB situation, the DS2196 will loop the 192 bits of payload data (with BPVs corrected) from the receive section back to the transmit section. The FPS framing pattern, CRC6 calculation, and the FDL bits are not looped back, they are reinserted by the DS2196. When PLB is enabled, the following will occur:

1. The TCLKOA signal will become synchronous with RCLKA instead of TCLKA.
2. Data will be transmitted from the TRING and TTIP pins synchronous with RCLKA instead of TCLKA.
3. All of the receive side signals will continue to operate normally.
4. The TCHCLKA and TCHBLKA signals are forced low.
5. TX serial data into Formatter A is ignored.

### **Payload Loopback B**

When CCR1B.1 is set to a 1, the Framer/Formatter B will be forced into Payload Loopback (PLB). Normally, this loopback is only enabled when ESF framing is being performed but can be enabled also in D4 framing applications. In a PLB situation, the DS2196 will loop the 192 bits of payload data (with BPVs corrected) from the receive section back to the transmit section. The FPS framing pattern, CRC6 calculation, and the FDL bits are not looped back, they are reinserted by the DS2196. When PLB is enabled, the following will occur:

1. The TCLKOB signal will become synchronous with RCLKIB instead of TCLKB.
2. Data will be transmitted from the TPOSOB and TNEGOB pins synchronous with RCLKIB instead of TCLKB.
3. All of the receive side signals will continue to operate normally.
4. The TCHCLKB and TCHBLKB signals are forced low.
5. TX serial data into Formatter B is ignored.

## Framer Loopback A

When CCR1A.0 is set to a 1, the A Framer/Formatter will enter a Framer Loopback (FLB) mode. This loopback is useful in testing and debugging applications. In FLB, the DS2196 will loop data from the transmit side back to the receive side. When FLB is enabled, the following will occur:

1. An unframed all 1's code will be transmitted at TPOSOA and TNEGOA outputs
2. Data at RPOSIA and RNEGIA will be ignored
3. All receive side signals will take on timing synchronous with TCLKOA instead of RCLKIA.

### NOTE:

The signals RCLKA and TCLKA cannot be the same clock during this loopback because this will cause an unstable condition.

## Framer Loopback B

When CCR1B.0 is set to a 1, the B Framer/Formatter will enter a Framer Loopback (FLB) mode. This loopback is useful in testing and debugging applications. In FLB, the DS2196 will loop data from the transmit side back to the receive side. When FLB is enabled, the following will occur:

1. An unframed all 1's code will be transmitted at TPOSOB and TNEGOB outputs
2. Data at RPOSIB and RNEGIB will be ignored
3. All receive side signals will take on timing synchronous with TCLKOB instead of RCLKIB.

### NOTE:

The signals RCLKB and TCLKB cannot be the same clock during this loopback because this will cause an unstable condition.

## CCR2A: COMMON CONTROL REGISTER 2 FRAMER A (Address = 38 Hex)

(MSB)								(LSB)
TFM	TB8ZS	TSLC96	TZSE	RFM	RB8ZS	RSLC96	RFDL	
SYMBOL	POSITION	NAME AND DESCRIPTION						
TFM	CCR2A.7	<b>Transmit Frame Mode Select.</b> 0 = D4 framing mode 1 = ESF framing mode						
TB8ZS	CCR2A.6	<b>Transmit B8ZS Enable.</b> 0 = B8ZS disabled 1 = B8ZS enabled						
TSLC96	CCR2A.5	<b>Transmit SLC-96 / Fs-Bit Insertion Enable.</b> Only set this bit to a 1 in D4 framing applications. Must be set to 1 to source the Fs pattern. See Section 18 for details. 0 = SLC-96/Fs-bit insertion disabled 1 = SLC-96/Fs-bit insertion enabled						
TZSE	CCR2A.4	<b>Transmit FDL Zero Stuffer Enable.</b> Set this bit to 0 if using the internal HDLC/BOC controller instead of the legacy support for the FDL. See Section 18 for details. 0 = zero stuffer disabled 1 = zero stuffer enabled						
RFM	CCR2A.3	<b>Receive Frame Mode Select.</b> 0 = D4 framing mode 1 = ESF framing mode						
RB8ZS	CCR2A.2	<b>Receive B8ZS Enable.</b> 0 = B8ZS disabled 1 = B8ZS enabled						
RSLC96	CCR2A.1	<b>Receive SLC-96 Enable.</b> Only set this bit to a 1 in D4/SLC-96 framing applications. See Section 18 for details. 0 = SLC-96 disabled 1 = SLC-96 enabled						
RFDL	CCR2A.0	<b>Receive FDL Zero Destuffer Enable.</b> Set this bit to 0 if using the internal HDLC/BOC controller instead of the legacy support for the FDL. See Section 18 for details. 0 = zero destuffer disabled 1 = zero destuffer enabled						

**CCR2B: COMMON CONTROL REGISTER 2 FRAMER B (Address = D8 Hex)**

(MSB)				(LSB)			
TFM	TB8ZS	TSLC96	TZSE	RFM	RB8ZS	RSLC96	RFDL

SYMBOL	POSITION	NAME AND DESCRIPTION
TFM	CCR2B.7	<b>Transmit Frame Mode Select.</b> 0 = D4 framing mode 1 = ESF framing mode
TB8ZS	CCR2B.6	<b>Transmit B8ZS Enable.</b> 0 = B8ZS disabled 1 = B8ZS enabled
TSLC96	CCR2B.5	<b>Transmit SLC-96 / Fs-Bit Insertion Enable.</b> Only set this bit to a 1 in D4 framing applications. Must be set to 1 to source the Fs pattern. See Section 18 for details. 0 = SLC-96/Fs-bit insertion disabled 1 = SLC-96/Fs-bit insertion enabled
TZSE	CCR2B.4	<b>Transmit FDL Zero Stuffer Enable.</b> Set this bit to 0 if using the internal HDLC/BOC controller instead of the legacy support for the FDL. See Section 18 for details. 0 = zero stuffer disabled 1 = zero stuffer enabled
RFM	CCR2B.3	<b>Receive Frame Mode Select.</b> 0 = D4 framing mode 1 = ESF framing mode
RB8ZS	CCR2B.2	<b>Receive B8ZS Enable.</b> 0 = B8ZS disabled 1 = B8ZS enabled
RSLC96	CCR2B.1	<b>Receive SLC-96 Enable.</b> Only set this bit to a 1 in D4/SLC-96 framing applications. See Section 18 for details. 0 = SLC-96 disabled 1 = SLC-96 enabled
RFDL	CCR2B.0	<b>Receive FDL Zero Destuffer Enable.</b> Set this bit to 0 if using the internal HDLC/BOC controller instead of the legacy support for the FDL. See Section 18 for details. 0 = zero destuffer disabled 1 = zero destuffer enabled

## CCR3A: COMMON CONTROL REGISTER 3 FRAMER A (Address = 30 Hex)

(MSB)				(LSB)			
LIDST	TCLKSRC	RLOS	RSMS	FBCT2	ECUS	TLOOP	FBCT1
SYMBOL	POSITION	NAME AND DESCRIPTION					
LIDST	CCR3A.7	<b>Line Interface TX Digital Signal Tri-state.</b> Tri-state control for the LIU pins LFSYNC, LCLK and LNRZ. 0 = pins not tri-stated 1 = pins tri-stated					
TCLKSRC	CCR3A.6	<b>Transmit Clock Source Select.</b> This function allows the user to internally select MCLK as the clock source for the transmit side formatter. 0 = TCLK supplied by LOTC mux (see TCR1A.7) 1 = use MCLK for TCLK					
RLOSF	CCR3A.5	<b>Function of the RLOSA/LOTCA Output.</b> 0 = Receive Loss of Sync (RLOS) 1 = Loss of Transmit Clock (LOTCA)					
RSMS	CCR3A.4	<b>RMSYNCA Multiframe Skip Control.</b> Useful in framing format conversions from D4 to ESF. 0 = RMSYNCA will output a pulse at every multiframe 1 = RMSYNCA will output a pulse at every other multiframe					
FBCT2	CCR3A.3	<b>F Bit Corruption Type 2.</b> Setting this bit high enables the corruption of one Ft (D4 framing mode) or FPS (ESF framing mode) bit in every 128 Ft or FPS bits as long as the bit remains set.					
ECUS	CCR3A.2	<b>Error Counter Update Select.</b> Selects the update rate of the error counters and the period of the One Second Timer (SR2A.5). See Sections 7 & 8 for details. 0 = update error counters once a second 1 = update error counters every 42 ms (333 frames)					
TLOOP	CCR3A.1	<b>Transmit Loop Code Enable.</b> See Section 12 for details. 0 = transmit data normally 1 = replace normal transmitted data with repeating code as defined in TCD register					
FBCT1	CCR3A.0	<b>F Bit Corruption Type 1.</b> A low to high transition of this bit causes the next three consecutive Ft (D4 framing mode) or FPS (ESF framing mode) bits to be corrupted causing the remote end to experience a loss of synchronization.					

## CCR3B: COMMON CONTROL REGISTER 3 FRAMER B (Address = D0 Hex)

(MSB)				(LSB)			
–	TCLKSRC	RLOS	RSMS	FBCT2	ECUS	TLOOP	FBCT1

SYMBOL	POSITION	NAME AND DESCRIPTION
–	CCR3B.7	<b>Not Assigned.</b> Should be set to 0 when written to.
TCLKSRC	CCR3B.6	<b>Transmit Clock Source Select.</b> This function allows the user to internally select MCLK as the clock source for the transmit side formatter. 0 = TCLK supplied by LOTC mux (see TCR1B.7) 1 = use MCLK for TCLK
RLOSF	CCR3B.5	<b>Function of the RLOSB/LOT CB Output.</b> 0 = Receive Loss of Sync (RLOS) 1 = Loss of Transmit Clock (LOT C)
RSMS	CCR3B.4	<b>RMSYNC Multiframe Skip Control.</b> Useful in framing format conversions from D4 to ESF. 0 = RMSYN CB will output a pulse at every multiframe 1 = RMSYN CB will output a pulse at every other multiframe
FBCT2	CCR3B.3	<b>F Bit Corruption Type 2.</b> Setting this bit high enables the corruption of one Ft (D4 framing mode) or FPS (ESF framing mode) bit in every 128 Ft or FPS bits as long as the bit remains set.
ECUS	CCR3B.2	<b>Error Counter Update Select.</b> Selects the update rate of the error counters and the period of the One Second Timer (SR2B.5). See Sections 7 & 8 for details. 0 = update error counters once a second 1 = update error counters every 42 ms (333 frames)
TLOOP	CCR3B.1	<b>Transmit Loop Code Enable.</b> See Section 12 for details. 0 = transmit data normally 1 = replace normal transmitted data with repeating code as defined in TCD register
FBCT1	CCR3B.0	<b>F Bit Corruption Type 1.</b> A low to high transition of this bit causes the next three consecutive Ft (D4 framing mode) or FPS (ESF framing mode) bits to be corrupted causing the remote end to experience a loss of synchronization.

**CCR4A: COMMON CONTROL REGISTER 4 FRAMER A (Address = 11 Hex)**

(MSB)				(LSB)			
LCLKPOL	PWCLKPOL	BERTMEN	LNRZAIS	–	LFAMC	RTDLPM	TIRFS

SYMBOL	POSITION	NAME AND DESCRIPTION
LCLKPOL	CCR4A.7	<b>LCLK Polarity Select.</b> 0 = data updated on rising edge. 1 = data updated on falling edge.
PWCLKPOL	CCR4A.6	<b>PCLK/WCLK Polarity Select.</b> 0 = data sampled on falling edge. 1 = data sampled on rising edge.
BERTMEN	CCR4A.5	<b>Transmit BERT Mux Enable.</b> 0 = BERT mux disabled. 1 = BERT mux enabled.
LNRZAIS	CCR4A.4	<b>LNRZ AIS Enable.</b> 0 = LNRZ and LFSYNC operate normally. 1 = LNRZ =1, LFSYNC = 0.
–	CCR4A.3	<b>Not Assigned.</b> Must be set to 0 when written.
LFAMC	CCR4A.2	<b>LIU to Framer A Mux Control.</b> 0 = LIU connected on-chip to Framer/Formatter A. 1 = LIU disconnected from Framer/Formatter A.
RTDLPM	CCR4A.1	<b>RX/TX Data Link Pin Mode.</b> Determines the function of the RCHCLKA/RLCLKA, RCHBLKA/RLINKA, TCHCLKA/TLCLKA and TCHBLKA/TLINKA pins. 0 = RCHCLKA, RCHBLKA, TCHCLKA, TCHBLKA. 1 = RLCLKA, RLINKA, TLCLKA, TLINKA.
TIRFS	CCR4A.0	<b>Transmit Idle Registers (TIR) Function Select.</b> See Section 11 for timing details. 0 = TIRs define in which channels to insert idle code 1 = TIRs define in which channels to insert data from RSERA (i.e., Per Channel Loopback function)

**CCR4B: COMMON CONTROL REGISTER 4 FRAMER B (Address = B1 Hex)**

(MSB)				(LSB)			
RCLKIPOL	TCLKOPOL	BERTMEN	–	–	FAFBMC	RTDLPM	TIRFS

SYMBOL	POSITION	NAME AND DESCRIPTION
RCLKIPOL	CCR4B.7	<b>RCLKIB Polarity Select.</b> 0 = no inversion. 1 = invert.
TCLKOPOL	CCR4B.6	<b>TCLKOB Polarity Select.</b> 0 = no inversion. 1 = invert.
BERTMEN	CCR4B.5	<b>Transmit BERT Mux Enable.</b> 0 = BERT mux disabled. 1 = BERT mux enabled.
–	CCR4B.4	<b>Not Assigned.</b> Must be set to 0 when written.
–	CCR4B.3	<b>Not Assigned.</b> Must be set to 0 when written.
FAFBMC	CCR4B.2	<b>Framer/Formatter A to Framer/Formatter B Mux Control.</b> 0 = Framer/Formatter A connected on-chip to Framer/Formatter B 1 = Framer/Formatter A disconnected from Framer/Formatter B
RTDLPM	CCR4B.1	<b>RX/TX Data Link Pin Mode.</b> Determines the function of the RCHCLKB/RLCLKB, RCHBLKB/RLINKB, TCHCLKB/TLCLKB and TCHBLKB/TLINKB pins. 0 = RCHCLKB, RCHBLKB, TCHCLKB, TCHBLKB 1 = RLCLKB, RLINKB, TLCLKB, TLINKB
TIRFS	CCR4B.0	<b>Transmit Idle Registers (TIR) Function Select.</b> See Section 11 for timing details. 0 = TIRs define in which channels to insert idle code 1 = TIRs define in which channels to insert data from RSERB (i.e., Per = Channel Loopback function)

## CCR5A: COMMON CONTROL REGISTER 5 FRAMER A (Address = 19 Hex)

(MSB)				(LSB)			
TJC	LLB	LIAIS	TCM4	TCM3	TCM2	TCM1	TCM0

SYMBOL	POSITION	NAME AND DESCRIPTION
TJC	CCR5A.7	<b>Transmit Japanese CRC6 Enable.</b> 0 = use ANSI/AT&T/ITU CRC6 calculation (normal operation) 1 = use Japanese standard JT-G704 CRC6 calculation
LLB	CCR5A.6	<b>Local Loopback.</b> 0 = loopback disabled 1 = loopback enabled
LIAIS	CCR5A.5	<b>Line Interface AIS Generation Enable.</b> See Figure 1-1 for details. AIS generation is based on MCLK. 0 = allow normal data from TPOSIA/TNEGIA to be transmitted at TTIP and TRING 1 = force unframed all 1's to be transmitted at TTIP and TRING
TCM4	CCR5A.4	<b>Transmit Channel Monitor Bit 4.</b> MSB of a channel decode that determines which transmit channel data will appear in the TDS0M register. See Section 10 for details.
TCM3	CCR5A.3	<b>Transmit Channel Monitor Bit 3.</b>
TCM2	CCR5A.2	<b>Transmit Channel Monitor Bit 2.</b>
TCM1	CCR5A.1	<b>Transmit Channel Monitor Bit 1.</b>
TCM0	CCR5A.0	<b>Transmit Channel Monitor Bit 0.</b> LSB of the channel decode.

**CCR5B: COMMON CONTROL REGISTER 5 FRAMER B (Address = B9 Hex)**

(MSB)				(LSB)			
TJC	–	–	TCM4	TCM3	TCM2	TCM1	TCM0

SYMBOL	POSITION	NAME AND DESCRIPTION
TJC	CCR5B.7	<b>Transmit Japanese CRC6 Enable.</b> 0 = use ANSI/AT&T/ITU CRC6 calculation (normal operation) 1 = use Japanese standard JT–G704 CRC6 calculation
–	CCR5B.6	<b>Not Assigned.</b> Must be set to 0 when written.
–	CCR5B.5	<b>Not Assigned.</b> Must be set to 0 when written.
TCM4	CCR5B.4	<b>Transmit Channel Monitor Bit 4.</b> MSB of a channel decode that determines which transmit channel data will appear in the TDS0M register. See Section 10 for details.
TCM3	CCR5B.3	<b>Transmit Channel Monitor Bit 3.</b>
TCM2	CCR5B.2	<b>Transmit Channel Monitor Bit 2.</b>
TCM1	CCR5B.1	<b>Transmit Channel Monitor Bit 1.</b>
TCM0	CCR5B.0	<b>Transmit Channel Monitor Bit 0.</b> LSB of the channel decode.

**CCR6A: COMMON CONTROL REGISTER 6 FRAMER A (Address = 1E Hex)**

(MSB)				(LSB)			
RJC	EAMS	MECU	RCM4	RCM3	RCM2	RCM1	RCM0

SYMBOL	POSITION	NAME AND DESCRIPTION
RJC	CCR6A.7	<b>Receive Japanese CRC6 Enable.</b> 0 = use ANSI/AT&T/ITU CRC6 calculation (normal operation) 1 = use Japanese standard JT–G704 CRC6 calculation
EAMS	CCR6A.6	<b>Error Accumulation Mode Select.</b> 0 = CCR3A.2 determines accumulation time 1 = CCR6A.5 determines accumulation time
MECU	CCR6A.5	<b>Manual Error Counter Update.</b> When enabled by CCR6A.6, the changing of this bit from a 0 to a 1 allows the next clock cycle to load the error counter registers with the latest counts and reset the counters. The user must wait a minimum of 972 ns (1.5 clock periods) before reading the error count registers to allow for proper update.
RCM4	CCR6A.4	<b>Receive Channel Monitor Bit 4.</b> MSB of a channel decode that determines which receive channel data will appear in the RDS0M register. See Section 10 for details.
RCM3	CCR6A.3	<b>Receive Channel Monitor Bit 3.</b>
RCM2	CCR6A.2	<b>Receive Channel Monitor Bit 2.</b>
RCM1	CCR6A.1	<b>Receive Channel Monitor Bit 1.</b>
RCM0	CCR6A.0	<b>Receive Channel Monitor Bit 0.</b> LSB of the channel decode.

**CCR6B: COMMON CONTROL REGISTER 6 FRAMER B (Address = BE Hex)**

(MSB)								(LSB)
RJC	EAMS	MECU	RCM4	RCM3	RCM2	RCM1	RCM0	

SYMBOL	POSITION	NAME AND DESCRIPTION
RJC	CCR6B.7	<b>Receive Japanese CRC6 Enable.</b> 0 = use ANSI/AT&T/ITU CRC6 calculation (normal operation) 1 = use Japanese standard JT-G704 CRC6 calculation
EAMS	CCR6B.6	<b>Error Accumulation Mode Select.</b> 0 = CCR3B.2 determines accumulation time 1 = CCR6B.5 determines accumulation time
MECU	CCR6B.5	<b>Manual Error Counter Update.</b> When enabled by CCR6B.6, the changing of this bit from a 0 to a 1 allows the next clock cycle to load the error counter registers with the latest counts and reset the counters. The user must wait a minimum of 972 ns (1.5 clock periods) before reading the error count registers to allow for proper update.
RCM4	CCR6B.4	<b>Receive Channel Monitor Bit 4.</b> MSB of a channel decode that determines which receive channel data will appear in the RDS0M register. See Section 10 for details.
RCM3	CCR6B.3	<b>Receive Channel Monitor Bit 3.</b>
RCM2	CCR6B.2	<b>Receive Channel Monitor Bit 2.</b>
RCM1	CCR6B.1	<b>Receive Channel Monitor Bit 1.</b>
RCM0	CCR6B.0	<b>Receive Channel Monitor Bit 0.</b> LSB of the channel decode.

## CCR7A: COMMON CONTROL REGISTER 7 FRAMER A (Address = 0A Hex)

(MSB)				(LSB)			
LIRST	RLB	AIS13-24	AIS1-12	DISRCL	–	–	LBOS3

SYMBOL	POSITION	NAME AND DESCRIPTION
LIRST	CCR7A.7	<b>Line Interface reset.</b> Setting this bit from a 0 to a 1 will initiate an internal reset that affects the clock recovery state machine and jitter attenuator. Normally this bit is only toggled on power-up. Must be cleared and set again for a subsequent reset.
RLB	CCR7A.6	<b>Remote Loopback.</b> 0 = loopback disabled 1 = loopback enabled
AIS13-24	CCR7A.5	<b>Channels 13 – 24 AIS Enable</b> 0 = do not transmit AIS in channels 13 – 24 1 = transmit AIS in channels 13 - 24
AIS1-12	CCR7A.4	<b>Channels 1 – 12 AIS Enable</b> 0 = do not transmit AIS in channels 1 – 12 1 = transmit AIS in channels 1 - 12
DISRCL	CCR7A.3	<b>LIU Receive Carrier Loss (RCL) pin Disable.</b> 0 = Normal operation. 1 = Disable the LIU RCL pin. Pin will always output a “0”. The LRCL status bit in RIR3A.3 continues to report correct LRCL status.
–	CCR7A.2	<b>Not Assigned.</b> Should be set to 0 when written to.
–	CCR7A.1	<b>Not Assigned.</b> Should be set to 0 when written to.
LBOS3	CCR7A.0	<b>Line Build Out Select Bit 3.</b> Sets the transmitter build out; see the Table 19–1

**CCR7B: COMMON CONTROL REGISTER 7 FRAMER B (Address = AA Hex)**

(MSB)				(LSB)			
–	BELB	AIS13-24	AIS1-12	UOP3	UOP2	UOP1	UOP0

SYMBOL	POSITION	NAME AND DESCRIPTION
–	CCR7B.7	<b>Not Assigned.</b> Should be set to 0 when written to.
BELB	CCR7B.6	<b>Back End Loopback.</b> 0 = loopback disabled 1 = loopback enabled
AIS13-24	CCR7B.5	<b>Channels 13 – 24 AIS Enable</b> 0 = do not transmit AIS in channels 13 – 24 1 = transmit AIS in channels 13 - 24
AIS1-12	CCR7B.4	<b>Channels 1 – 12 AIS Enable</b> 0 = do not transmit AIS in channels 1 – 12 1 = transmit AIS in channels 1 - 12
UOP3	CCR7B.3	<b>User Defined Output Pin 3.</b> 0 = logic 0 level at pin 1 = logic 1 level at pin
UOP2	CCR7B.2	<b>User Defined Output Pin 2.</b> 0 = logic 0 level at pin 1 = logic 1 level at pin
UOP1	CCR7B.1	<b>User Defined Output Pin 1.</b> 0 = logic 0 level at pin 1 = logic 1 level at pin
UOP0	CCR7B.0	<b>User Defined Output Pin 0.</b> 0 = logic 0 level at pin 1 = logic 1 level at pin

**Remote Loopback**

When CCR7A.6 is set to a 1, the 2196 will be forced into Remote Loopback (RLB). In this loopback, data input via the RPOSI and RNEGI pins will be transmitted back to the TPOSO and TNEGO pins. Data will continue to pass through the receive side of Framer A as it would normally and the data from the transmit side of Formatter A will be ignored. Please see Figure 1–1 for more details.

**Back End Loopback**

When CCR7B.6 is set to a 1, the 2196 will be forced into Back End Loopback (BELB). In this loopback, data input via the RPOSIB and RNEGIB pins will be transmitted back to the TPOSOB and TNEGOB pins. Data will continue to pass through the receive side of Framer B as it would normally and the data from the transmit side of Formatter B will be ignored. Please see Figure 1–1 for more details.

**Power–Up Sequence**

On power–up, after the supplies are stable, the DS2196 should be configured for operation by writing to all of the internal registers (this includes setting the Test Registers to 00Hex) since the contents of the internal registers cannot be predicted on power–up.

## 7. STATUS AND INFORMATION REGISTERS

Found in each Framer/Formatter is a set of nine registers that contain information on the current real time status of the DS2196, Status Register 1 (SR1), Status Register 2 (SR2), Receive Information Registers 1 to 3 (RIR1/RIR2/RIR3) and a set of four registers for the onboard HDLC and BOC controller for the FDL. BERT generator and receiver status is contained in the BERT Information Register (BIR). The specific details on the registers pertaining to the BERT and FDL functions are covered in Section 15 and 18 but they operate the same as the other status registers in the DS2196 and this operation is described below.

When a particular event has occurred (or is occurring), the appropriate bit in 1 of these nine registers will be set to a 1. All of the bits in SR1, SR2, RIR1, RIR2, and RIR3 registers operate in a latched fashion. This means that if an event or an alarm occurs and a bit is set to a 1 in any of the registers, it will remain set until the user reads that bit. The bit will be cleared when it is read and it will not be set again until the event has occurred again (or in the case of the RBL, RYEL, LRCL or FRCL, and RLOS alarms, the bit will remain set if the alarm is still present). There are bits in the four FDL status registers that are not latched and these bits are listed in Section 18.

The user will always precede a read of any of the nine registers with a write. The byte written to the register will inform the DS2196 which bits the user wishes to read and have cleared. The user will write a byte to one of these registers, with a 1 in the bit positions he or she wishes to read and a 0 in the bit positions he or she does not wish to obtain the latest information on. When a 1 is written to a bit location, the read register will be updated with the latest information. When a 0 is written to a bit position, the read register will not be updated and the previous value will be held. A write to the status and information registers will be immediately followed by a read of the same register. The read result should be logically AND'ed with the mask byte that was just written and this value should be written back into the same register to insure that bit does indeed clear. This second write step is necessary because the alarms and events in the status registers occur asynchronously in respect to their access via the parallel port. This write-read-write scheme allows an external microcontroller or microprocessor to individually poll certain bits without disturbing the other bits in the register. This operation is key in controlling the DS2196 with higher-order software languages.

The SR1, SR2, HSR and BIR registers have the unique ability to initiate a hardware interrupt via the INT output pin. Each of the alarms and events in the SR1, SR2, HSR and BIR can be either masked or unmasked from the interrupt pin via the Interrupt Mask Register 1 (IMR1), Interrupt Mask Register 2 (IMR2), HDLC Interrupt Mask Register (HIMR) and BERT Control Register (BC1) respectively. The BC1 register is covered in Section 15. The HIMR register is covered in Section 18.

The interrupts caused by alarms in SR1 (namely RYEL, LRCL or RCL, RBL, and RLOS) act differently than the interrupts caused by events in SR1 and SR2 (namely LUP, LDN, LSPARE, LOTC, RMF, TMF, SEC, RFDL, TFDL, RMTCH, RAF, and LORC) and FIMR. The alarm caused interrupts will force the INT pin low whenever the alarm changes state (i.e., the alarm goes active or inactive according to the set/clear criteria in Table 7-2). The INT pin will be allowed to return high (if no other interrupts are present) when the user reads the alarm bit that caused the interrupt to occur even if the alarm is still present.

The event caused interrupts will force the INT pin low when the event occurs. The INT pin will be allowed to return high (if no other interrupts are present) when the user reads the event bit that caused the interrupt to occur.

### **ISR: INTERRUPT STATUS REGISTER (Address = 0E Hex)**

<b>(MSB)</b>							<b>(LSB)</b>
–	BIRQ	FDLSB	SR2B	SR1B	FDLSA	SR2A	SR1A

<b>SYMBOL</b>	<b>POSITION</b>	<b>NAME AND DESCRIPTION</b>
–	ISR.7	<b>Not Assigned.</b> Could be any value when read.
BIRQ	ISR.6	<b>BERT INTERRUPT REQUEST.</b> 0 = No interrupt request pending. 1 = Interrupt request pending.
FDLSB	ISR.5	<b>FRAMER B FDLS INTERRUPT REQUEST.</b> 0 = No interrupt request pending. 1 = Interrupt request pending.
SR2B	ISR.4	<b>FRAMER B SR2 INTERRUPT REQUEST.</b> 0 = No interrupt request pending. 1 = Interrupt request pending.
SR1B	ISR.3	<b>FRAMER B SR1 INTERRUPT REQUEST.</b> 0 = No interrupt request pending. 1 = Interrupt request pending.
FDLSA	ISR.2	<b>FRAMER A FDLS INTERRUPT REQUEST.</b> 0 = No interrupt request pending. 1 = Interrupt request pending.
SR2A	ISR.1	<b>FRAMER A SR2 INTERRUPT REQUEST.</b> 0 = No interrupt request pending. 1 = Interrupt request pending.
SR1A	ISR.0	<b>FRAMER A SR1 INTERRUPT REQUEST.</b> 0 = No interrupt request pending. 1 = Interrupt request pending.

## RIR1A: RECEIVE INFORMATION REGISTER 1 FRAMER A (Address = 22 Hex)

(MSB)						(LSB)	
COFA	8ZD	16ZD	–	–	SEFE	B8ZS	FBE

SYMBOL	POSITION	NAME AND DESCRIPTION
COFA	RIR1A.7	<b>Change of Frame Alignment.</b> Set when the last resync resulted in a change of frame or multiframe alignment.
8ZD	RIR1A.6	<b>Eight Zero Detect.</b> Set when a string of at least eight consecutive zeros (regardless of the length of the string) have been received at RPOSIA and RNEGIA.
16ZD	RIR1A.5	<b>Sixteen Zero Detect.</b> Set when a string of at least sixteen consecutive zeros (regardless of the length of the string) have been received at RPOSIA and RNEGIA.
–	RIR1A.4	<b>Not Assigned.</b> Could be any value when read.
–	RIR1A.3	<b>Not Assigned.</b> Could be any value when read.
SEFE	RIR1A.2	<b>Severely Errored Framing Event.</b> Set when 2 out of 6 framing bits (Ft or FPS) are received in error.
B8ZS	RIR1A.1	<b>B8ZS Code Word Detect.</b> Set when a B8ZS code word is detected at RPOSIA and RNEGIA independent of whether the B8ZS mode is selected or not via CCR2.6. Useful for automatically setting the line coding.
FBE	RIR1A.0	<b>Frame Bit Error.</b> Set when a Ft (D4) or FPS (ESF) framing bit is received in error.

**RIR1B: RECEIVE INFORMATION REGISTER 1 FRAMER B****(Address = C2 Hex)**

(MSB)							(LSB)
COFA	8ZD	16ZD	–	–	SEFE	B8ZS	FBE

SYMBOL	POSITION	NAME AND DESCRIPTION
COFA	RIR1B.7	<b>Change of Frame Alignment.</b> Set when the last resync resulted in a change of frame or multiframe alignment.
8ZD	RIR1B.6	<b>Eight Zero Detect.</b> Set when a string of at least eight consecutive zeros (regardless of the length of the string) have been received at RPOSIB and RNEGIB.
16ZD	RIR1B.5	<b>Sixteen Zero Detect.</b> Set when a string of at least sixteen consecutive zeros (regardless of the length of the string) have been received at RPOSIB and RNEGIB.
–	RIR1B.4	<b>Not Assigned.</b> Could be any value when read.
–	RIR1B.3	<b>Not Assigned.</b> Could be any value when read.
SEFE	RIR1B.2	<b>Severely Errored Framing Event.</b> Set when 2 out of 6 framing bits (Ft or FPS) are received in error.
B8ZS	RIR1B.1	<b>B8ZS Code Word Detect.</b> Set when a B8ZS code word is detected at RPOSIB and RNEGIB independent of whether the B8ZS mode is selected or not via CCR2.6. Useful for automatically setting the line coding.
FBE	RIR1B.0	<b>Frame Bit Error.</b> Set when a Ft (D4) or FPS (ESF) framing bit is received in error.

## RIR2A: RECEIVE INFORMATION REGISTER 2 FRAMER A (Address = 31 Hex)

(MSB)								(LSB)
RLOSC	LRCLC	FRCLC	–	–	RBLC	–	–	

SYMBOL	POSITION	NAME AND DESCRIPTION
RLOSC	RIR2A.7	<b>Receive Loss of Sync Clear.</b> Set when the framer achieves synchronization; will remain set until read.
LRCLC	RIR2A.6	<b>Line Interface Receive Carrier Loss Clear.</b> Set when the carrier signal is restored; will remain set until read. See Table 7–2.
FRCLC	RIR2A.5	<b>Framer Receive Carrier Loss Clear.</b> Set when the carrier signal is restored; will remain set until read. See Table 7–2.
–	RIR2A.4	<b>Not Assigned.</b> Could be any value when read.
–	RIR2A.3	<b>Not Assigned.</b> Could be any value when read.
RBLC	RIR2A.2	<b>Receive Blue Alarm Clear.</b> Set when the Blue Alarm (AIS) is no longer detected; will remain set until read. See Table 7–2.
–	RIR2A.1	<b>Not Assigned.</b> Could be any value when read.
–	RIR2A.0	<b>Not Assigned.</b> Could be any value when read.

## RIR2B: RECEIVE INFORMATION REGISTER 2 FRAMER B (Address = D1 Hex)

(MSB)							(LSB)
RLOSC	FRCLC	–	–	–	RBLC	–	

SYMBOL	POSITION	NAME AND DESCRIPTION
RLOSC	RIR2B.7	<b>Receive Loss of Sync Clear.</b> Set when the framer achieves synchronization; will remain set until read.
–	RIR2B.6	<b>Not Assigned.</b> Could be any value when read.
FRCLC	RIR2B.5	<b>Framer Receive Carrier Loss Clear.</b> Set when the carrier signal is restored; will remain set until read. See Table 7–2.
–	RIR2B.4	<b>Not Assigned.</b> Could be any value when read.
–	RIR2B.3	<b>Not Assigned.</b> Could be any value when read.
RBLC	RIR2B.2	<b>Receive Blue Alarm Clear.</b> Set when the Blue Alarm (AIS) is no longer detected; will remain set until read. See Table 7–2.
–	RIR2B.1	<b>Not Assigned.</b> Could be any value when read.
–	RIR2B.0	<b>Not Assigned.</b> Could be any value when read.

## RIR3A: RECEIVE INFORMATION REGISTER 3 FRAMER A (Address = 10 Hex)

(MSB)						(LSB)	
RL1	RL0	JALT	LORC	LRCL	–	–	RAIS-CI

SYMBOL	POSITION	NAME AND DESCRIPTION
RL1	RIR3A.7	<b>Receive Level Bit 1.</b> See Table 7–1.
RL0	RIR3A.6	<b>Receive Level Bit 0.</b> See Table 7–1.
JALT	RIR3A.5	<b>Jitter Attenuator Limit Trip.</b> Set when the jitter attenuator FIFO reaches to within 4 bits of its limit; useful for debugging jitter attenuation operation.
LORC	RIR3A.4	<b>Loss of Receive Clock.</b> Set when the RCLKIA pin has not transitioned for at least 2 $\mu$ s (3 $\mu$ s $\pm$ 1 $\mu$ s).
LRCL	RIR3A.3	<b>Line Interface Receive Carrier Loss.</b> Set when 192 consecutive zeros have been received at the RRING and RTIP pins; allowed to be cleared when 14 or more 1's out of 112 possible bit positions are received.
–	RIR3A.2	<b>Not Assigned.</b> Could be any value when read.
–	RIR3A.1	<b>Not Assigned.</b> Could be any value when read.
RAIS-CI	RIR3A.0	<b>Receive AIS-CI Detect.</b> Set when the AIS-CI pattern is detected. (see note below)

## RIR3B: RECEIVE INFORMATION REGISTER 3 FRAMER B (Address = B0 Hex)

(MSB)						(LSB)	
–	–	–	LORC	–	–	–	RAIS-CI

SYMBOL	POSITION	NAME AND DESCRIPTION
–	RIR3B.7	<b>Not Assigned.</b> Could be any value when read.
–	RIR3B.6	<b>Not Assigned.</b> Could be any value when read.
–	RIR3B.5	<b>Not Assigned.</b> Could be any value when read.
LORC	RIR3B.4	<b>Loss of Receive Clock.</b> Set when the RCLKIB pin has not transitioned for at least 2 $\mu$ s (3 $\mu$ s $\pm$ 1 $\mu$ s).
–	RIR3B.3	<b>Not Assigned.</b> Could be any value when read.
–	RIR3B.2	<b>Not Assigned.</b> Could be any value when read.
–	RIR3B.1	<b>Not Assigned.</b> Could be any value when read.
RAIS-CI	RIR3A.0	<b>Receive AIS-CI Detect.</b> Set when the AIS-CI pattern is detected. (see note below)

Table 7-1: RECEIVE T1 LEVEL INDICATION

RL1	RL0	TYPICAL LEVEL RECEIVED
0	0	+2 dB to -7.5 dB
0	1	-7.5 dB to -15 dB
1	0	-15 dB to -22.5 dB
1	1	less than -22.5 dB

**NOTE:**

The RAIS-CI bit is qualified with the RBL status bit (SR1A.3 and SR1B.3). Hence the RAIS-CI status bit will not be set unless the RBL status bit is set. If the RBL bit is set and the RAIS-CI bit has transitioned from a 1 to a 0 (i.e., it has cleared), it is recommended that the software wait at least 1.5 seconds and then read the RAIS-CI bit again to make sure that the alarm has indeed cleared.

**SR1A: STATUS REGISTER 1 FRAMER A (Address = 20 Hex)**

(MSB)				(LSB)			
LUP	LDN	LOTCA	LSPARE	RBL	RYEL	FRCL	RLOS

SYMBOL	POSITION	NAME AND DESCRIPTION
LUP	SR1A.7	<b>Loop Up Code Detected.</b> Set when the loop up code as defined in the RUPCD register is being received. See Section 12 for details.
LDN	SR1A.6	<b>Loop Down Code Detected.</b> Set when the loop down code as defined in the RDNCD register is being received. See Section 12 for details.
LOTCA	SR1A.5	<b>Loss of Transmit Clock.</b> Set when the TCLKA pin has not transitioned for one channel time (or 5.2 $\mu$ s). Will force the RLOSA/LOTCA pin high if enabled via CCR1A.6. Also will force transmit side formatter to switch to MCLK if so enabled via TCR1A.7.
LSPARE	SR1A.4	<b>Spare Code Detected.</b> Set when the spare code as defined in the RSPARE register is being received. See Section 12 for details.
RBL	SR1A.3	<b>Receive Blue Alarm.</b> Set when an unframed all 1's code is received at RPOSIA and RNEGIA.
RYEL	SR1A.2	<b>Receive Yellow Alarm.</b> Set when a yellow alarm is received at RPOSIA and RNEGIA.
FRCL	SR1A.1	<b>Framer Receive Carrier Loss.</b> Set when a red alarm is received at RPOSIA and RNEGIA.
RLOS	SR1A.0	<b>Receive Loss of Sync.</b> Set when the device is not synchronized to the receive T1 stream.

## SR1B: STATUS REGISTER 1 FRAMER B (Address = C0 Hex)

(MSB)						(LSB)	
LUP	LDN	LOTC	LSPARE	RBL	RYEL	FRCL	RLOS

SYMBOL	POSITION	NAME AND DESCRIPTION
LUP	SR1B.7	<b>Loop Up Code Detected.</b> Set when the loop up code as defined in the RUPCD register is being received. See Section 12 for details.
LDN	SR1B.6	<b>Loop Down Code Detected.</b> Set when the loop down code as defined in the RDNCD register is being received. See Section 12 for details.
LOTC	SR1B.5	<b>Loss of Transmit Clock.</b> Set when the TCLKB pin has not transitioned for one channel time (or 5.2 $\mu$ s). Will force the RLOSB/LOTCLB pin high if enabled via CCR1B.6. Also will force transmit side formatter to switch to MCLK if so enabled via TCR1B.7.
LSPARE	SR1B.4	<b>Spare Code Detected.</b> Set when the spare code as defined in the RSPARE register is being received. See Section 12 for details.
RBL	SR1B.3	<b>Receive Blue Alarm.</b> Set when an unframed all 1's code is received at RPOSIB and RNEGIB.
RYEL	SR1B.2	<b>Receive Yellow Alarm.</b> Set when a yellow alarm is received at RPOSIB and RNEGIB.
FRCL	SR1B.1	<b>Framer Receive Carrier Loss.</b> Set when a red alarm is received at RPOSIB and RNEGIB.
RLOS	SR1B.0	<b>Receive Loss of Sync.</b> Set when the device is not synchronized to the receive T1 stream.

Table 7-2: **ALARM CRITERIA**

<b>ALARM</b>	<b>SET CRITERIA</b>	<b>CLEAR CRITERIA</b>
<b>Blue Alarm (AIS)</b> (see note 1 below)	when over a 3 ms window, 5 or less zeros are received	when over a 3 ms window, 6 or more zeros are received
<b>Yellow Alarm (RAI)</b> 1. D4 bit 2 mode(RCR2.2=0)  2. D4 12th F-bit mode (RCR2.2=1; this mode is also referred to as the “Japanese Yellow Alarm”)  3. ESF mode	when bit 2 of 256 consecutive channels is set to 0 for at least 254 occurrences  when the 12th framing bit is set to “1” for two consecutive occurrences  when 16 consecutive patterns of 00FF appear in the FDL	when bit 2 of 256 consecutive channels is set to 0 for less than 254 occurrences  when the 12th framing bit is set to 0 for two consecutive occurrences  when 14 or less patterns of 00FF hex out of 16 possible appear in the FDL
<b>Red Alarm (LRCL or RCL)</b> (this alarm is also referred to as Loss Of Signal)	when 192 consecutive 0’s are received	when 14 or more 1’s out of 112 possible bit positions are received starting with the first 1 received

**NOTES:**

- The definition of Blue Alarm (or Alarm Indication Signal) is an unframed all 1’s signal. Blue alarm detectors should be able to operate properly in the presence of a  $10E-3$  error rate and they should not falsely trigger on a framed all 1’s signal. The blue alarm criteria in the DS2196 have been set to achieve this performance. It is recommended that the RBL bit be qualified with the RLOS bit.
- ANSI specifications use a different nomenclature than the DS2196 does; the following terms are equivalent:

RBL = AIS  
 LRCL = LOS  
 RLOS = LOF  
 RYEL = RAI

**SR2A: STATUS REGISTER 2 FRAMER A (Address = 21 Hex)**

(MSB)							(LSB)
RMF	TMF	SEC	RFDL	TFDL	RMTCH	RAF	–

SYMBOL	POSITION	NAME AND DESCRIPTION
RMF	SR2A.7	<b>Receive Multiframe.</b> Set on receive multiframe boundaries.
TMF	SR2A.6	<b>Transmit Multiframe.</b> Set on transmit multiframe boundaries.
SEC	SR2A.5	<b>One Second Timer.</b> Set on increments of one second based on RCLK; will be set in increments of 999 ms, 999 ms, and 1002 ms every 3 seconds. Set on increments of 42 ms (333 frames) if CCR3A.2 = 1.
RFDL	SR2A.4	<b>Receive FDL Buffer Full.</b> Set when the receive FDL buffer (RFDL) fills to capacity (8 bits).
TFDL	SR2A.3	<b>Transmit FDL Buffer Empty.</b> Set when the transmit FDL buffer (TFDL) empties.
RMTCH	SR2A.2	<b>Receive FDL Match Occurrence.</b> Set when the RFDL matches either RMTCH1A or RMTCH2A.
RAF	SR2A.1	<b>Receive FDL Abort.</b> Set when eight consecutive 1's are received in the FDL.
–	SR2A.0	<b>Not Assigned.</b> Could be any value when read.

**SR2B: STATUS REGISTER 2 FRAMER B (Address = C1 Hex)**

(MSB)							(LSB)
RMF	TMF	SEC	RFDL	TFDL	RMTCH	RAF	–

SYMBOL	POSITION	NAME AND DESCRIPTION
RMF	SR2B.7	<b>Receive Multiframe.</b> Set on receive multiframe boundaries.
TMF	SR2B.6	<b>Transmit Multiframe.</b> Set on transmit multiframe boundaries.
SEC	SR2B.5	<b>One Second Timer.</b> Set on increments of one second based on RCLK; will be set in increments of 999 ms, 999 ms, and 1002 ms every 3 seconds. Set on increments of 42 ms (333 frames) if CCR3B.2 = 1.
RFDL	SR2B.4	<b>Receive FDL Buffer Full.</b> Set when the receive FDL buffer (RFDL) fills to capacity (8 bits).
TFDL	SR2B.3	<b>Transmit FDL Buffer Empty.</b> Set when the transmit FDL buffer (TFDL) empties.
RMTCH	SR2B.2	<b>Receive FDL Match Occurrence.</b> Set when the RFDL matches either RMTCH1B or RMTCH2B.
RAF	SR2B.1	<b>Receive FDL Abort.</b> Set when eight consecutive 1's are received in the FDL.
–	SR2B.0	<b>Not Assigned.</b> Could be any value when read.

**IMR1A: INTERRUPT MASK REGISTER 1 FRAMER A (Address = 7F Hex)**

(MSB)				(LSB)			
LUP	LDN	LOTC	LSPARE	RBL	RYEL	FRCL	RLOS

SYMBOL	POSITION	NAME AND DESCRIPTION
LUP	IMR1A.7	<b>Loop Up Code Detected.</b> 0 = interrupt masked 1 = interrupt enabled
LDN	IMR1A.6	<b>Loop Down Code Detected.</b> 0 = interrupt masked 1 = interrupt enabled
LOTC	IMR1A.5	<b>Loss of Transmit Clock.</b> 0 = interrupt masked 1 = interrupt enabled
LSPARE	IMR1A.4	<b>Spare Code Detected.</b> 0 = interrupt masked 1 = interrupt enabled
RBL	IMR1A.3	<b>Receive Blue Alarm.</b> 0 = interrupt masked 1 = interrupt enabled
RYE	IMR1A.2	<b>Receive Yellow Alarm.</b> 0 = interrupt masked 1 = interrupt enabled
FRCL	IMR1A.1	<b>Framer Receive Carrier Loss.</b> 0 = interrupt masked 1 = interrupt enabled
RLOS	IMR1A.0	<b>Receive Loss of Sync.</b> 0 = interrupt masked 1 = interrupt enabled

**IMR1B: INTERRUPT MASK REGISTER 1 FRAMER B (Address = FF Hex)**

(MSB)				(LSB)			
LUP	LDN	LOTC	LSPARE	RBL	RYEL	FRCL	RLOS

SYMBOL	POSITION	NAME AND DESCRIPTION
LUP	IMR1B.7	<b>Loop Up Code Detected.</b> 0 = interrupt masked 1 = interrupt enabled
LDN	IMR1B.6	<b>Loop Down Code Detected.</b> 0 = interrupt masked 1 = interrupt enabled
LOTC	IMR1B.5	<b>Loss of Transmit Clock.</b> 0 = interrupt masked 1 = interrupt enabled
LSPARE	IMR1A.4	<b>Spare Code Detected.</b> 0 = interrupt masked 1 = interrupt enabled
RBL	IMR1B.3	<b>Receive Blue Alarm.</b> 0 = interrupt masked 1 = interrupt enabled
RYE	IMR1B.2	<b>Receive Yellow Alarm.</b> 0 = interrupt masked 1 = interrupt enabled
FRCL	IMR1B.1	<b>Framer Receive Carrier Loss.</b> 0 = interrupt masked 1 = interrupt enabled
RLOS	IMR1B.0	<b>Receive Loss of Sync.</b> 0 = interrupt masked 1 = interrupt enabled

**IMR2A: INTERRUPT MASK REGISTER 2 FRAMER A (Address = 6F Hex)**

(MSB)						(LSB)	
RMF	TMF	SEC	RFDL	TFDL	RMTCH	RAF	–

SYMBOL	POSITION	NAME AND DESCRIPTION
RMF	IMR2A.7	<b>Receive Multiframe.</b> 0 = interrupt masked 1 = interrupt enabled
TMF	IMR2A.6	<b>Transmit Multiframe.</b> 0 = interrupt masked 1 = interrupt enabled
SEC	IMR2A.5	<b>One Second Timer.</b> 0 = interrupt masked 1 = interrupt enabled
RFDL	IMR2A.4	<b>Receive FDL Buffer Full.</b> 0 = interrupt masked 1 = interrupt enabled
TFDL	IMR2A.3	<b>Transmit FDL Buffer Empty.</b> 0 = interrupt masked 1 = interrupt enabled
RMTCH	IMR2A.2	<b>Receive FDL Match Occurrence.</b> 0 = interrupt masked 1 = interrupt enabled
RAF	IMR2A.1	<b>Receive FDL Abort.</b> 0 = interrupt masked 1 = interrupt enabled
–	IMR2A.0	<b>Not Assigned.</b> Should be set to 0 when written to.

**IMR2B: INTERRUPT MASK REGISTER 2 FRAMER B (Address = EF Hex)**

(MSB)						(LSB)	
RMF	TMF	SEC	RFDL	TFDL	RMTCH	RAF	–

SYMBOL	POSITION	NAME AND DESCRIPTION
RMF	IMR2B.7	<b>Receive Multiframe.</b> 0 = interrupt masked 1 = interrupt enabled
TMF	IMR2B.6	<b>Transmit Multiframe.</b> 0 = interrupt masked 1 = interrupt enabled
SEC	IMR2B.5	<b>One Second Timer.</b> 0 = interrupt masked 1 = interrupt enabled
RFDL	IMR2B.4	<b>Receive FDL Buffer Full.</b> 0 = interrupt masked 1 = interrupt enabled
TFDL	IMR2B.3	<b>Transmit FDL Buffer Empty.</b> 0 = interrupt masked 1 = interrupt enabled
RMTCH	IMR2B.2	<b>Receive FDL Match Occurrence.</b> 0 = interrupt masked 1 = interrupt enabled
RAF	IMR2B.1	<b>Receive FDL Abort.</b> 0 = interrupt masked 1 = interrupt enabled
–	IMR2B.0	<b>Not Assigned.</b> Should be set to 0 when written to.

**8. ERROR COUNT REGISTERS**

There is a set of three counters per framer that record bipolar violations, excessive zeros, errors in the CRC6 code words, framing bit errors, and number of multiframe that the device is out of receive synchronization. Each of these three counters can be automatically updated on either one second boundaries (CCR3.2=0) or every 42 ms (CCR3.2=1) as determined by the timer in Status Register 2 (SR2.5) or manually (CCR6.6=1 and triggering with CCR6.5). When updated automatically, the user can use the interrupt from the one-second timer to determine when to read these registers. The user has a full second (or 42 ms) to read the counters before the data is lost. All three counters will saturate at their respective maximum counts and they will not rollover (note: only the Line Code Violation Count Register has the potential to over-flow but the bit error would have to exceed 10E-2 before this would occur).

## Line Code Violation Count Register (LCVCR)

Line Code Violation Count Register 1 (LCVCR1) is the most significant word and LCVCR2 is the least significant word of a 16-bit counter that records code violations (CVs). CVs are defined as Bipolar Violations (BPVs) or excessive zeros. See Table 8-1 for details of exactly what the LCVCRs count. If the B8ZS mode is set for the receive side via CCR2.2, then B8ZS code words are not counted. This counter is always enabled; it is not disabled during receive loss of synchronization (RLOS=1) conditions.

**LCVCR1A: LINE CODE VIOLATION COUNT REGISTER 1 FRAMER A  
(Address = 23 Hex)**

**LCVCR2A: LINE CODE VIOLATION COUNT REGISTER 2 FRAMER A  
(Address = 24 Hex)**

**LCVCR1B: LINE CODE VIOLATION COUNT REGISTER 1 FRAMER B  
(Address = C3 Hex)**

**LCVCR2B: LINE CODE VIOLATION COUNT REGISTER 2 FRAMER B  
(Address = C4 Hex)**

(MSB)							(LSB)	
LCV15	LCV14	LCV13	LCV12	LCV11	LCV10	LCV9	LCV8	LCVCR1
LCV7	LCV6	LCV5	LCV4	LCV3	LCV2	LCV1	LCV0	LCVCR2

SYMBOL	POSITION	NAME AND DESCRIPTION
LCV15	LCVCR1.7	<b>MSB of the 16-bit code violation count</b>
LCV0	LCVCR2.0	<b>LSB of the 16-bit code violation count</b>

Table 8-1: **LINE CODE VIOLATION COUNTING ARRANGEMENTS**

<b>COUNT EXCESSIVE ZEROS (RCR1.7)</b>	<b>B8ZS ENABLED (CCR2.2)</b>	<b>WHAT IS COUNTED IN THE LCVCRs</b>
no	no	BPVs
yes	no	BPVs + 16 consecutive zeros
no	yes	BPVs (B8ZS code words not counted)
yes	yes	BPV's + 8 consecutive zeros

**Path Code Violation Count Register (PCVCR)** When the receive side of a framer is set to operate in the ESF framing mode (CCR2.3=1), PCVCR will automatically be set as a 12-bit counter that will record errors in the CRC6 code words. When set to operate in the D4 framing mode (CCR2.3=0), PCVCR will automatically count errors in the Ft framing bit position. Via the RCR2.1 bit, a framer can be programmed to also report errors in the Fs framing bit position. The PCVCR will be disabled during receive loss of synchronization (RLOS=1) conditions. See Table 8-2 for a detailed description of exactly what errors the PCVCR counts.

**PCVCR1A: PATH VIOLATION COUNT REGISTER 1 FRAMER A (Address = 25 Hex)**

**PCVCR2A: PATH VIOLATION COUNT REGISTER 2 FRAMER A (Address = 26 Hex)**

**PCVCR1B: PATH VIOLATION COUNT REGISTER 1 FRAMER B (Address = C5 Hex)**

**PCVCR2B: PATH VIOLATION COUNT REGISTER 2 FRAMER B (Address = C6 Hex)**

<b>(MSB)</b>				<b>(LSB)</b>				
(note 1)	(note 1)	(note 1)	(note 1)	CRC/ FB11	CRC/ FB10	CRC/ FB9	CRC/ FB8	PCVCR1
CRC/ FB7	CRC/ FB6	CRC/ FB5	CRC/ FB4	CRC/ FB3	CRC/ FB2	CRC/ FB1	CRC/ FB0	PCVCR2

<b>SYMBOL</b>	<b>POSITION</b>	<b>NAME AND DESCRIPTION</b>
CRC/FB11	PCVCR1.3	<b>MSB of the 12-Bit CRC6 Error or Frame Bit Error Count</b> (note #2)
CRC/FB0	PCVCR2.0	<b>LSB of the 12-Bit CRC6 Error or Frame Bit Error Count</b> (note #2)

## NOTES:

1. The upper nibble of the counter at address 25 is used by the Multiframe Out of Sync Count Register
2. PCVCR counts either errors in CRC code words (in the ESF framing mode; CCR2.3=1) or errors in the framing bit position (in the D4 framing mode; CCR2.3=0).

Table 8-2: **PATH CODE VIOLATION COUNTING ARRANGEMENTS**

FRAMING MODE (CCR2.3)	COUNT Fs ERRORS? (RCR2.1)	WHAT IS COUNTED IN THE PCVCRs
D4	no	errors in the Ft pattern
D4	yes	errors in both the Ft & Fs patterns
ESF	don't care	errors in the CRC6 code words

### MULTIFRAMES OUT OF SYNC COUNT REGISTER (MOSCR)

Normally the MOSCR is used to count the number of multiframes that the receive synchronizer is out of sync (RCR2.0=1). This number is useful in ESF applications needing to measure the parameters Loss Of Frame Count (LOFC) and ESF Error Events as described in AT&T publication TR54016. When the MOSCR is operated in this mode, it is not disabled during receive loss of synchronization (RLOS=1) conditions. The MOSCR has alternate operating mode whereby it will count either errors in the Ft framing pattern (in the D4 mode) or errors in the FPS framing pattern (in the ESF mode). When the MOSCR is operated in this mode, it is disabled during receive loss of synchronization (RLOS = 1) conditions. See Table 8-3 for a detailed description of what the MOSCR is capable of counting.

#### MOSCR1A: MULTIFRAMES OUT OF SYNC COUNT REGISTER 1 FRAMER A (Address = 25 Hex)

#### MOSCR2A: MULTIFRAMES OUT OF SYNC COUNT REGISTER 2 FRAMER A (Address = 27 Hex)

#### MOSCR1B: MULTIFRAMES OUT OF SYNC COUNT REGISTER 1 FRAMER B (Address = C5 Hex)

#### MOSCR2B: MULTIFRAMES OUT OF SYNC COUNT REGISTER 2 FRAMER B (Address = C7 Hex)

(MSB)				(LSB)				
MOS/ FB11	MOS/ FB10	MOS/ FB9	MOS/ FB8	(note 1)	(note 1)	(note 1)	(note 1)	MOSCR1
MOS/ FB7	MOS/ FB6	MOS/ FB5	MOS/ FB4	MOS/ FB3	MOS/ FB2	MOS/ FB1	MOS/ FB0	MOSCR2

SYMBOL	POSITION	NAME AND DESCRIPTION
--------	----------	----------------------

MOS/FB11	MOSCR1.7	<b>MSB of the 12–Bit Multiframes Out of Sync or F–Bit Error Count</b> (note #2)
MOS/FB0	MOSCR2.0	<b>LSB of the 12–Bit Multiframes Out of Sync or F–Bit Error Count</b> (note #2)

### NOTES:

1. The lower nibble of the counter at address 25 is used by the Path Code Violation Count Register
2. MOSCR counts either errors in framing bit position (RCR2.0=0) or the number of multiframes out of sync (RCR2.0=1)

Table 8-3: **MULTIFRAMES OUT OF SYNC COUNTING ARRANGEMENTS**

FRAMING MODE (CCR2.3)	COUNT MOS OR F-BIT ERRORS (RCR2.0)	WHAT IS COUNTED IN THE MOSCRs
D4	MOS	number of multiframes out of sync
D4	F-Bit	errors in the Ft pattern
ESF	MOS	number of multiframes out of sync
ESF	F-Bit	errors in the FPS pattern

## 9. SIGNALING OPERATION

The robbed-bit signaling bits embedded in the T1 stream can be extracted from the receive stream and inserted into the transmit stream by each framer. There is a set of 12 registers for the receive side (RS1 to RS12) and 12 registers on the transmit side (TS1 to TS12). The signaling registers are detailed below. The CCR1.5 bit is used to control the robbed signaling bits as they appear at RSER. If CCR1.5 is set to 0, then the robbed signaling bits will appear at the RSER pin in their proper position as they are received. If CCR1.5 is set to a 1, then the robbed signaling bit positions will be forced to a 1 at RSER.

### RS1A TO RS12A: RECEIVE SIGNALING REGISTERS FRAMER A

(Address = 60 to 6B Hex)

### RS1B TO RS12B: RECEIVE SIGNALING REGISTERS FRAMER B

(Address = E0 to EB Hex)

(MSB)				(LSB)				
A(8)	A(7)	A(6)	A(5)	A(4)	A(3)	A(2)	A(1)	RS1
A(16)	A(15)	A(14)	A(13)	A(12)	A(11)	A(10)	A(9)	RS2
A(24)	A(23)	A(22)	A(21)	A(20)	A(19)	A(18)	A(17)	RS3
B(8)	B(7)	B(6)	B(5)	B(4)	B(3)	B(2)	B(1)	RS4
B(16)	B(15)	B(14)	B(13)	B(12)	B(11)	B(10)	B(9)	RS5
B(24)	B(23)	B(22)	B(21)	B(20)	B(19)	B(18)	B(17)	RS6
A/C(8)	A/C(7)	A/C(6)	A/C(5)	A/C(4)	A/C(3)	A/C(2)	A/C(1)	RS7
A/C(16)	A/C(15)	A/C(14)	A/C(13)	A/C(12)	A/C(11)	A/C(10)	A/C(9)	RS8
A/C(24)	A/C(23)	A/C(22)	A/C(21)	A/C(20)	A/C(19)	A/C(18)	A/C(17)	RS9
B/D(8)	B/D(7)	B/D(6)	B/D(5)	B/D(4)	B/D(3)	B/D(2)	B/D(1)	RS10
B/D(16)	B/D(15)	B/D(14)	B/D(13)	B/D(12)	B/D(11)	B/D(10)	B/D(9)	RS11
B/D(24)	B/D(23)	B/D(22)	B/D(21)	B/D(20)	B/D(19)	B/D(18)	B/D(17)	RS12

SYMBOL	POSITION	NAME AND DESCRIPTION
D(24)	RS12.7	Signaling Bit D in Channel 24
A(1)	RS1.0	Signaling Bit A in Channel 1

Each Receive Signaling Register (RS1 to RS12) reports the incoming robbed bit signaling from eight DS0 channels. In the ESF framing mode, there can be up to four signaling bits per channel (A, B, C, and D). In the D4 framing mode, there are only two framing bits per channel (A and B). In the D4 framing mode, the framer will replace the C and D signaling bit positions with the A and B signaling bits from the previous multiframe. Hence, whether the framer is operated in either framing mode, the user needs only to retrieve the signaling bits every 3 ms. The bits in the Receive Signaling Registers are updated on multiframe boundaries so the user can utilize the Receive Multiframe Interrupt in the Receive Status Register 2 (SR2.7) to know when to retrieve the signaling bits. The Receive Signaling Registers are frozen and not updated during a loss of sync condition (SR1.0=1). They will contain the most recent signaling information before the “OOF” occurred. The signaling data reported in RS1 to RS12 is also available at the RSER pin.

### TS1A TO TS12A: TRANSMIT SIGNALING REGISTERS FRAMER A

(Address = 70 to 7B Hex)

### TS1B TO TS12B: TRANSMIT SIGNALING REGISTERS FRAMER B

(Address = F0 to FB Hex)

(MSB)							(LSB)	
A(8)	A(7)	A(6)	A(5)	A(4)	A(3)	A(2)	A(1)	TS1
A(16)	A(15)	A(14)	A(13)	A(12)	A(11)	A(10)	A(9)	TS2
A(24)	A(23)	A(22)	A(21)	A(20)	A(19)	A(18)	A(17)	TS3
B(8)	B(7)	B(6)	B(5)	B(4)	B(3)	B(2)	B(1)	TS4
B(16)	B(15)	B(14)	B(13)	B(12)	B(11)	B(10)	B(9)	TS5
B(24)	B(23)	B(22)	B(21)	B(20)	B(19)	B(18)	B(17)	TS6
A/C(8)	A/C(7)	A/C(6)	A/C(5)	A/C(4)	A/C(3)	A/C(2)	A/C(1)	TS7
A/C(16)	A/C(15)	A/C(14)	A/C(13)	A/C(12)	A/C(11)	A/C(10)	A/C(9)	TS8
A/C(24)	A/C(23)	A/C(22)	A/C(21)	A/C(20)	A/C(19)	A/C(18)	A/C(17)	TS9
B/D(8)	B/D(7)	B/D(6)	B/D(5)	B/D(4)	B/D(3)	B/D(2)	B/D(1)	TS10
B/D(16)	B/D(15)	B/D(14)	B/D(13)	B/D(12)	B/D(11)	B/D(10)	B/D(9)	TS11
B/D(24)	B/D(23)	B/D(22)	B/D(21)	B/D(20)	B/D(19)	B/D(18)	B/D(17)	TS12

SYMBOL	POSITION	NAME AND DESCRIPTION
--------	----------	----------------------

D(24)	TS12.7	<b>Signaling Bit D in Channel 24</b>
A(1)	TS1.0	<b>Signaling Bit A in Channel 1</b>

Each Transmit Signaling Register (TS1 to TS12) contains the Robbed Bit signaling for eight DS0 channels that will be inserted into the outgoing stream if enabled to do so via TCR1.4. In the ESF framing mode, there can be up to four signaling bits per channel (A, B, C, and D). On multiframe boundaries, the framer will load the values present in the Transmit Signaling Register into an outgoing signaling shift register that is internal to the device. The user can utilize the Transmit Multiframe Interrupt in Status Register 2 (SR2.6) to know when to update the signaling bits. In the ESF framing mode, the interrupt will come every 3 ms and the user has a full 3ms to update the TSRs. In the D4 framing mode, there are only two framing bits per channel (A and B). However in the D4 framing mode, the framer uses the C and D bit positions as the A and B bit positions for the next multiframe. The framer will load the values in the TSRs into the outgoing shift register every other D4 multiframe.

## 10. DS0 MONITORING FUNCTION

Each framer in the DS2196 has the ability to monitor one DS0 64 kbps channel in the transmit direction and one DS0 channel in the receive direction at the same time. In the transmit direction the user will determine which channel is to be monitored by properly setting the TCM0 to TCM4 bits in the CCR5A & CCR5B registers. In the receive direction, the RCM0 to RCM4 bits in the CCR6A & CCR6B registers need to be properly set. The DS0 channel pointed to by the TCM0 to TCM4 bits will appear in the Transmit DS0 Monitor (TDS0M) register and the DS0 channel pointed to by the RCM0 to RCM4 bits will appear in the Receive DS0 (RDS0M) register. The TCM4 to TCM0 and RCM4 to RCM0 bits should be programmed with the decimal decode of the appropriate T1 channel. Channels 1 through 24 map to register values 0 through 23. For example, if DS0 channel 6 in the transmit direction and DS0 channel 15 in the receive direction needed to be monitored, then the following values would be programmed into CCR5 and CCR6:

```
TCM4 = 0   RCM4 = 0
TCM3 = 0   RCM3 = 1
TCM2 = 1   RCM2 = 1
TCM1 = 0   RCM1 = 1
TCM0 = 1   RCM0 = 0
```

**CCR5A: COMMON CONTROL REGISTER 5 FRAMER A (Address = 19 Hex)**

**CCR5B: COMMON CONTROL REGISTER 5 FRAMER B (Address = B9 Hex)**

[Repeated here from section 6 for convenience with only the TX monitor function present]

(MSB)				(LSB)			
			TCM4	TCM3	TCM2	TCM1	TCM0

SYMBOL	POSITION	NAME AND DESCRIPTION
TCM4	CCR5.4	<b>Transmit Channel Monitor Bit 4.</b> MSB of a channel decode that determines which transmit channel data will appear in the TDS0M register.
TCM3	CCR5.3	<b>Transmit Channel Monitor Bit 3.</b>
TCM2	CCR5.2	<b>Transmit Channel Monitor Bit 2.</b>
TCM1	CCR5.1	<b>Transmit Channel Monitor Bit 1.</b>
TCM0	CCR5.0	<b>Transmit Channel Monitor Bit 0.</b> LSB of the channel decode.

**TDS0MA: TRANSMIT DS0 MONITOR REGISTER FRAMER A****(Address = 1A Hex)****TDS0MB: TRANSMIT DS0 MONITOR REGISTER FRAMER B****(Address = BA Hex)**

<b>(MSB)</b>							<b>(LSB)</b>
B1	B2	B3	B4	B5	B6	B7	B8

SYMBOL	POSITION	NAME AND DESCRIPTION
B1	TDS0M.7	<b>Transmit DS0 Channel Bit 1.</b> MSB of the DS0 channel (first bit to be transmitted).
B2	TDS0M.6	<b>Transmit DS0 Channel Bit 2.</b>
B3	TDS0M.5	<b>Transmit DS0 Channel Bit 3.</b>
B4	TDS0M.4	<b>Transmit DS0 Channel Bit 4.</b>
B5	TDS0M.3	<b>Transmit DS0 Channel Bit 5.</b>
B6	TDS0M.2	<b>Transmit DS0 Channel Bit 6.</b>
B7	TDS0M.1	<b>Transmit DS0 Channel Bit 7.</b>
B8	TDS0M.0	<b>Transmit DS0 Channel Bit 8.</b> LSB of the DS0 channel (last bit to be transmitted).

**CCR6A: COMMON CONTROL REGISTER 6 FRAMER A (Address = 1E Hex)****CCR6B: COMMON CONTROL REGISTER 6 FRAMER B (Address = BE Hex)**

[Repeated here from section 6 for convenience with only the RX monitor function present]

<b>(MSB)</b>					<b>(LSB)</b>		
			RCM4	RCM3	RCM2	RCM1	RCM0

SYMBOL	POSITION	NAME AND DESCRIPTION
RCM4	CCR5.4	<b>Receive Channel Monitor Bit 4.</b> MSB of a channel decode that determines which receive DS0 channel data will appear in the RDS0M register.
RCM3	CCR5.3	<b>Receive Channel Monitor Bit 3.</b>
RCM2	CCR5.2	<b>Receive Channel Monitor Bit 2.</b>
RCM1	CCR5.1	<b>Receive Channel Monitor Bit 1.</b>
RCM0	CCR5.0	<b>Receive Channel Monitor Bit 0.</b> LSB of the channel decode that determines which receive DS0 channel data will appear in the RDS0M register.

**RDS0MA: RECEIVE DS0 MONITOR REGISTER FRAMER A****(Address = 1F Hex)****RDS0MB: RECEIVE DS0 MONITOR REGISTER FRAMER B****(Address = BF Hex)**

<b>(MSB)</b>				<b>(LSB)</b>			
B1	B2	B3	B4	B5	B6	B7	B8

SYMBOL	POSITION	NAME AND DESCRIPTION
B1	RDS0M.7	<b>Receive DS0 Channel Bit 1.</b> MSB of the DS0 channel (first bit to be received).
B2	RDS0M.6	<b>Receive DS0 Channel Bit 2.</b>
B3	RDS0M.5	<b>Receive DS0 Channel Bit 3.</b>
B4	RDS0M.4	<b>Receive DS0 Channel Bit 4.</b>
B5	RDS0M.3	<b>Receive DS0 Channel Bit 5.</b>
B6	RDS0M.2	<b>Receive DS0 Channel Bit 6.</b>
B7	RDS0M.1	<b>Receive DS0 Channel Bit 7.</b>
B8	RDS0M.0	<b>Receive DS0 Channel Bit 8.</b> LSB of the DS0 channel (last bit to be received).

**11. PER-CHANNEL CODE (IDLE) GENERATION AND LOOPBACK**

The DS2196 can replace data on a channel-by-channel basis in both the transmit and receive directions. The transmit direction is from the backplane to the T1 line and is covered in Section 11.1. The receive direction is from the T1 line to the backplane and is covered in Section 11.2.

**11.1 TRANSMIT SIDE CODE GENERATION**

The Transmit Idle Registers (TIR1/2/3) are used to determine which of the 24 T1 channels should be overwritten with the code placed in the Transmit Idle Definition Register (TIDR). This method allows the same 8-bit code to be placed into any of the 24 T1 channels. If this method is used, then the CCR4.0 control bit must be set to 0.

Each of the bit position in the Transmit Idle Registers (TIR1/TIR2/TIR3) represent a DS0 channel in the outgoing frame. When these bits are set to a 1, the corresponding channel will transmit the Idle Code contained in the Transmit Idle Definition Register (TIDR). Bit 7 stuffing will occur over the programmed Idle Code unless the DS0 channel is made transparent by the Transmit Transparency Registers.

The Transmit Idle Registers (TIRs) have an alternate function that allows them to define a Per-Channel Loopback (PCLB). If the TIRFS control bit (CCR4.0) is set to 1, then the TIRs will determine which channels (if any) from the backplane should be replaced with the data from the receive side or in other words, off of the T1 line. If this mode is enabled, then transmit and receive clocks and frame syncs must be synchronized. One method to accomplish this would be to tie RCLK to TCLK and RSYNC to TSYNC.

**TIR1A/TIR2A/TIR3A: TRANSMIT IDLE REGISTERS FRAMER A****(Address = 3C to 3E Hex)****TIR1B/TIR2B/TIR3B: TRANSMIT IDLE REGISTERS FRAMER B****(Address = DC to DE Hex)**

[Also used for Per-Channel Loopback]

<b>(MSB)</b>				<b>(LSB)</b>				
CH8	CH7	CH6	CH5	CH4	CH3	CH2	CH1	TIR1
CH16	CH15	CH14	CH13	CH12	CH11	CH10	CH9	TIR2
CH24	CH23	CH22	CH21	CH20	CH19	CH18	CH17	TIR3

**SYMBOLS**

CH1-24

**POSITIONS**

TIR1.0-3.7

**NAME AND DESCRIPTION****Transmit Idle Code Insertion Control Bits.**

0 = do not insert the Idle Code in the TIDR into this channel

1 = insert the Idle Code in the TIDR into this channel

**NOTE:**

If CCR4.0=1, then a 0 in the TIRs implies that channel data is to be sourced from TSER and a 1 implies that channel data is to be sourced from the output of the receive side framer (i.e., Per-Channel Loopback; see Figure 1-1).

**TIDRA: TRANSMIT IDLE DEFINITION REGISTER FRAMER A****(Address = 3F Hex)****TIDRB: TRANSMIT IDLE DEFINITION REGISTER FRAMER B****(Address = DF Hex)**

<b>(MSB)</b>							<b>(LSB)</b>
TIDR7	TIDR6	TIDR5	TIDR4	TIDR3	TIDR2	TIDR1	TIDR0

**SYMBOL**

TIDR7

TIDR0

**POSITION**

TIDR.7

TIDR.0

**NAME AND DESCRIPTION**

MSB of the Idle Code (this bit is transmitted first)

LSB of the Idle Code (this bit is transmitted last)

**11.2 RECEIVE SIDE CODE GENERATION**

The Receive Mark Registers (RMR1/2/3) are used to determine which of the 24 T1 channels should be overwritten with either a 7Fh idle code or with a digital milliwatt pattern. The RCR2.7 bit will determine which code is used. The digital milliwatt code is an eight-byte repeating pattern that represents a 1 kHz sine wave (1E/0B/0B/1E/9E/8B/8B/9E). Each bit in the RMRs, represents a particular channel. If a bit is set to a 1, then the receive data in that channel will be replaced with one of the two codes. If a bit is set to 0, no replacement occurs.

**RMR1A/RMR2A/RMR3A: RECEIVE MARK REGISTERS FRAMER A****(Address = 2D to 2F Hex)****RMR1B/RMR2B/RMR3B: RECEIVE MARK REGISTERS FRAMER B****(Address = CD to CF Hex)**

<b>(MSB)</b>				<b>(LSB)</b>				
CH8	CH7	CH6	CH5	CH4	CH3	CH2	CH1	RMR1
CH16	CH15	CH14	CH13	CH12	CH11	CH10	CH9	RMR2
CH24	CH23	CH22	CH21	CH20	CH19	CH18	CH17	RMR3

**SYMBOLS**

CH1-24

**POSITIONS**

RMR1.0-3.7

**NAME AND DESCRIPTION****Receive Channel Mark Control Bits**

0 =do not affect the receive data associated with this channel

1 = replace the receive data associated with this channel with either the idle code or the digital milliwatt code (depends on the RCR2.7 bit)

**12. PROGRAMMABLE IN-BAND CODE GENERATION AND DETECTION**

Each framer in the DS2196 has the ability to generate and detect a repeating bit pattern that is from one to 8 bits and 16 bits in length. To transmit a pattern, the user will load the pattern to be sent into the Transmit Code Definition (TCD1&TCD2) registers and select the proper length of the pattern by setting the TC0 and TC1 bits in the In-Band Code Control (IBCC) register. When generating a 1, 2, 4, 8 or 16 bit pattern both transmit code definition registers (TCD1&TCD2) must be filled with the proper code. Generation of a 3, 5, 6 and 7 bit pattern only requires TCD1 to be filled. Once this is accomplished, the pattern will be transmitted as long as the TLOOP control bit (CCR3.1) is enabled. Normally (unless the transmit formatter is programmed to not insert the F-bit position) the framer will overwrite the repeating pattern once every 193 bits to allow the F-bit position to be sent. See Figure 21-7 for more details. As an example, if the user wished to transmit the standard “loop up” code for Channel Service Units which is a repeating pattern of ...10000100001... then 80h would be loaded into TCD1 and the length would set to 5 bits.

Each framer can detect three separate repeating patterns. Typically, two of the detectors are used for “loop up” and “loop down” code detection. The user will program the codes to be detected in the Receive Up Code Definition (RUPCD1 & RUPCD2) registers and the Receive Down Code Definition (RDNCD1 & RDNCD2) registers and the length of each pattern will be selected via the IBCC register. There is a third detector (Spare) and it is defined and controlled via the RSCD1/RSCD2 and RSCC registers. When detecting an 8 or 16 bit pattern both receive code definition registers must be filled with the proper code. For 8 bit patterns both receive code definition registers will be filled with the same value. Detection of a 1, 2, 3, 4, 5, 6 and 7 bit pattern only requires the first receive code definition register to be filled. A third or spare detector is available for user definition. The framer will detect repeating pattern codes in both framed and unframed circumstances with bit error rates as high as 10E-2. The detectors are capable of handling both F-bit inserted and F-bit overwrite patterns. Writing the least significant byte of receive code definition register resets the integration period for that detector. The code detector has a nominal integration period of 30 ms. Hence, after about 30 ms of receiving a valid code, the proper status bit (LUP at SR1A/B.7 , LDN at SR1A/B.6 and LSPARE at SR1A/B.4 ) will be set to a 1. Normally codes are sent for a period of 5 seconds. It is recommend that the software poll the framer every 50 ms to 1000 ms until 5 seconds has elapsed to insure that the code is continuously present.

**IBCCA: IN-BAND CODE CONTROL REGISTER FRAMER A****(Address = 12 Hex)**

**IBCCB: IN-BAND CODE CONTROL REGISTER FRAMER B****(Address = B2 Hex)**

<b>(MSB)</b>					<b>(LSB)</b>		
TC1	TC0	RUP2	RUP1	RUP0	RDN2	RDN1	RDN0

<b>SYMBOL</b>	<b>POSITION</b>	<b>NAME AND DESCRIPTION</b>
TC1	IBCC.7	<b>Transmit Code Length Definition Bit 1.</b> See Table 12-1
TC0	IBCC.6	<b>Transmit Code Length Definition Bit 0.</b> See Table 12-1
RUP2	IBCC.5	<b>Receive Up Code Length Definition Bit 2.</b> See Table 12-2
RUP1	IBCC.4	<b>Receive Up Code Length Definition Bit 1.</b> See Table 12-2
RUP0	IBCC.3	<b>Receive Up Code Length Definition Bit 0.</b> See Table 12-2
RDN2	IBCC.2	<b>Receive Down Code Length Definition Bit 2.</b> See Table 12-2
RDN1	IBCC.1	<b>Receive Down Code Length Definition Bit 1.</b> See Table 12-2
RDN0	IBCC.0	<b>Receive Down Code Length Definition Bit 0.</b> See Table 12-2

**Table 12-1: TRANSMIT CODE LENGTH**

<b>TC1</b>	<b>TC0</b>	<b>LENGTH SELECTED</b>
0	0	5 bits
0	1	6 bits / 3 bits
1	0	7 bits
1	1	16 bits / 8 bits / 4 bits / 2 bits / 1 bit

**Table 12-2: RECEIVE CODE LENGTH**

<b>RUP2/ RDN2/RSC2</b>	<b>RUP1/ RDN1/RSC1</b>	<b>RUP0/ RDN0/RSC0</b>	<b>LENGTH SELECTED</b>
0	0	0	1 bits
0	0	1	2 bits
0	1	0	3 bits
0	1	1	4 bits
1	0	0	5 bits
1	0	1	6 bits
1	1	0	7 bits
1	1	1	8 / 16 bits

**TCD1A: TRANSMIT CODE DEFINITION REGISTER 1 FRAMER A****(Address = 13 Hex)****TCD1B: TRANSMIT CODE DEFINITION REGISTER 1 FRAMER B****(Address = B3 Hex)**

<b>(MSB)</b>							<b>(LSB)</b>
C7	C6	C5	C4	C3	C2	C1	C0

<b>SYMBOL</b>	<b>POSITION</b>	<b>NAME AND DESCRIPTION</b>
C7	TCD1.7	<b>Transmit Code Definition Bit 7.</b> First bit of the repeating pattern.
C6	TCD1.6	<b>Transmit Code Definition Bit 6.</b>
C5	TCD1.5	<b>Transmit Code Definition Bit 5.</b>
C4	TCD1.4	<b>Transmit Code Definition Bit 4.</b>
C3	TCD1.3	<b>Transmit Code Definition Bit 3.</b>
C2	TCD1.2	<b>Transmit Code Definition Bit 2.</b> A Don't Care if a 5-bit length is selected.
C1	TCD1.1	<b>Transmit Code Definition Bit 1.</b> A Don't Care if a 5 or 6 bit length is selected.
C0	TCD1.0	<b>Transmit Code Definition Bit 0.</b> A Don't Care if a 5, 6 or 7 bit length is selected.

**TCD2A: TRANSMIT CODE DEFINITION REGISTER 2 FRAMER A****(Address = 16 Hex)****TCD2B: TRANSMIT CODE DEFINITION REGISTER 2 FRAMER B****(Address = B6 Hex)**

Least significant byte of 16 bit codes

<b>(MSB)</b>							<b>(LSB)</b>
C7	C6	C5	C4	C3	C2	C1	C0

<b>SYMBOL</b>	<b>POSITION</b>	<b>NAME AND DESCRIPTION</b>
C7	TCD2.7	<b>Transmit Code Definition Bit 7.</b> A Don't Care if a 5, 6 or 7 bit length is selected.
C6	TCD2.6	<b>Transmit Code Definition Bit 6.</b> A Don't Care if a 5, 6 or 7 bit length is selected.
C5	TCD2.5	<b>Transmit Code Definition Bit 5.</b> A Don't Care if a 5, 6 or 7 bit length is selected.
C4	TCD2.4	<b>Transmit Code Definition Bit 4.</b> A Don't Care if a 5, 6 or 7 bit length is selected.
C3	TCD2.3	<b>Transmit Code Definition Bit 3.</b> A Don't Care if a 5, 6 or 7 bit length is selected.
C2	TCD2.2	<b>Transmit Code Definition Bit 2.</b> A Don't Care if a 5, 6 or 7 bit length is selected.
C1	TCD2.1	<b>Transmit Code Definition Bit 1.</b> A Don't Care if a 5, 6 or 7 bit length is selected.
C0	TCD2.0	<b>Transmit Code Definition Bit 0.</b> A Don't Care if a 5, 6 or 7 bit length is selected.

**RUPCD1A: RECEIVE UP CODE DEFINITION REGISTER 1 FRAMER A**  
**(Address = 14 Hex)**

**RUPCD1B: RECEIVE UP CODE DEFINITION REGISTER 1 FRAMER B**  
**(Address = B4 Hex)**

**NOTE:**

Writing this register resets the detector's integration period.

(MSB)							(LSB)
C7	C6	C5	C4	C3	C2	C1	C0

SYMBOL	POSITION	NAME AND DESCRIPTION
C7	RUPCD1.7	<b>Receive Up Code Definition Bit 7.</b> First bit of the repeating pattern.
C6	RUPCD1.6	<b>Receive Up Code Definition Bit 6.</b> A Don't Care if a 1 bit length is selected.
C5	RUPCD1.5	<b>Receive Up Code Definition Bit 5.</b> A Don't Care if a 1 or 2 bit length is selected.
C4	RUPCD1.4	<b>Receive Up Code Definition Bit 4.</b> A Don't Care if a 1 to 3 bit length is selected.
C3	RUPCD1.3	<b>Receive Up Code Definition Bit 3.</b> A Don't Care if a 1 to 4 bit length is selected.
C2	RUPCD1.2	<b>Receive Up Code Definition Bit 2.</b> A Don't Care if a 1 to 5 bit length is selected.
C1	RUPCD1.1	<b>Receive Up Code Definition Bit 1.</b> A Don't Care if a 1 to 6 bit length is selected.
C0	RUPCD1.0	<b>Receive Up Code Definition Bit 0.</b> A Don't Care if a 1 to 7 bit length is selected.

**RUPCD2A: RECEIVE UP CODE DEFINITION REGISTER 2 FRAMER A****(Address = 17 Hex)****RUPCD2B: RECEIVE UP CODE DEFINITION REGISTER 2 FRAMER B****(Address = B7 Hex)**

(MSB)								(LSB)
C7	C6	C5	C4	C3	C2	C1	C0	

SYMBOL	POSITION	NAME AND DESCRIPTION
C7	RUPCD2.7	<b>Receive Up Code Definition Bit 7.</b> A Don't Care if a 1 to 7 bit length is selected.
C6	RUPCD2.6	<b>Receive Up Code Definition Bit 6.</b> A Don't Care if a 1 to 7 bit length is selected.
C5	RUPCD2.5	<b>Receive Up Code Definition Bit 5.</b> A Don't Care if a 1 to 7 bit length is selected.
C4	RUPCD2.4	<b>Receive Up Code Definition Bit 4.</b> A Don't Care if a 1 to 7 bit length is selected.
C3	RUPCD2.3	<b>Receive Up Code Definition Bit 3.</b> A Don't Care if a 1 to 7 bit length is selected.
C2	RUPCD2.2	<b>Receive Up Code Definition Bit 2.</b> A Don't Care if a 1 to 7 bit length is selected.
C1	RUPCD2.1	<b>Receive Up Code Definition Bit 1.</b> A Don't Care if a 1 to 7 bit length is selected.
C0	RUPCD2.0	<b>Receive Up Code Definition Bit 0.</b> A Don't Care if a 1 to 7 bit length is selected.

**RDNCD1A: RECEIVE DOWN CODE DEFINITION REGISTER 1 FRAMER A**  
**(Address = 15 Hex)**

**RDNCD1B: RECEIVE DOWN CODE DEFINITION REGISTER 1 FRAMER B**  
**(Address = B5 Hex)**

**NOTE:**

Writing this register resets the detector's integration period.

<b>(MSB)</b>				<b>(LSB)</b>			
C7	C6	C5	C4	C3	C2	C1	C0

SYMBOL	POSITION	NAME AND DESCRIPTION
C7	RDNCD1.7	<b>Receive Down Code Definition Bit 7.</b> First bit of the repeating pattern.
C6	RDNCD1.6	<b>Receive Down Code Definition Bit 6.</b> A Don't Care if a 1 bit length is selected.
C5	RDNCD1.5	<b>Receive Down Code Definition Bit 5.</b> A Don't Care if a 1 or 2 bit length is selected.
C4	RDNCD1.4	<b>Receive Down Code Definition Bit 4.</b> A Don't Care if a 1 to 3 bit length is selected.
C3	RDNCD1.3	<b>Receive Down Code Definition Bit 3.</b> A Don't Care if a 1 to 4 bit length is selected.
C2	RDNCD1.2	<b>Receive Down Code Definition Bit 2.</b> A Don't Care if a 1 to 5 bit length is selected.
C1	RDNCD1.1	<b>Receive Down Code Definition Bit 1.</b> A Don't Care if a 1 to 6 bit length is selected.
C0	RDNCD1.0	<b>Receive Down Code Definition Bit 0.</b> A Don't Care if a 1 to 7 bit length is selected.

**RDNCD2A: RECEIVE DOWN CODE DEFINITION REGISTER 2 FRAMER A**  
**(Address = 18 Hex)**

**RDNCD2B: RECEIVE DOWN CODE DEFINITION REGISTER 2 FRAMER B**  
**(Address = B8 Hex)**

(MSB)						(LSB)	
C7	C6	C5	C4	C3	C2	C1	C0

SYMBOL	POSITION	NAME AND DESCRIPTION
C7	RDNCD2.7	<b>Receive Down Code Definition Bit 7.</b> A Don't Care if a 1 to 7 bit length is selected.
C6	RDNCD2.6	<b>Receive Down Code Definition Bit 6.</b> A Don't Care if a 1 to 7 bit length is selected.
C5	RDNCD2.5	<b>Receive Down Code Definition Bit 5.</b> A Don't Care if a 1 to 7 bit length is selected.
C4	RDNCD2.4	<b>Receive Down Code Definition Bit 4.</b> A Don't Care if a 1 to 7 bit length is selected.
C3	RDNCD2.3	<b>Receive Down Code Definition Bit 3.</b> A Don't Care if a 1 to 7 bit length is selected.
C2	RDNCD2.2	<b>Receive Down Code Definition Bit 2.</b> A Don't Care if a 1 to 7 bit length is selected.
C1	RDNCD2.1	<b>Receive Down Code Definition Bit 1.</b> A Don't Care if a 1 to 7 bit length is selected.
C0	RDNCD2.0	<b>Receive Down Code Definition Bit 0.</b> A Don't Care if a 1 to 7 bit length is selected.

**RSCCA: IN-BAND RECEIVE SPARE CONTROL REGISTER FRAMER A**  
**(Address = 1D Hex)**

**RSCCB: IN-BAND RECEIVE SPARE CONTROL REGISTER FRAMER B**  
**(Address = BD Hex)**

(MSB)					(LSB)		
–	–	–	–	–	RSC2	RSC1	RSC0

SYMBOL	POSITION	NAME AND DESCRIPTION
–	RSCC.7	<b>Not Assigned.</b> Should be set to 0 when written to.
–	RSCC.6	<b>Not Assigned.</b> Should be set to 0 when written to.
–	RSCC.5	<b>Not Assigned.</b> Should be set to 0 when written to.
–	RSCC.4	<b>Not Assigned.</b> Should be set to 0 when written to.
–	RSCC.3	<b>Not Assigned.</b> Should be set to 0 when written to.
RSC2	RSCC.2	<b>Receive Spare Code Length Definition Bit 2.</b> See Table 12–2
RSC1	RSCC.1	<b>Receive Spare Code Length Definition Bit 1.</b> See Table 12–2
RSC0	RSCC.0	<b>Receive Spare Code Length Definition Bit 0.</b> See Table 12–2

**RSCD1A: RECEIVE SPARE CODE DEFINITION REGISTER 1 FRAMER A**  
**(Address = 1B Hex)**

**RSCD1B: RECEIVE SPARE CODE DEFINITION REGISTER 1 FRAMER B**  
**(Address = BB Hex)**

**NOTE:**

Writing this register resets the detector's integration period.

<b>(MSB)</b>				<b>(LSB)</b>			
C7	C6	C5	C4	C3	C2	C1	C0

SYMBOL	POSITION	NAME AND DESCRIPTION
C7	RSCD1.7	<b>Receive Spare Code Definition Bit 7.</b> First bit of the repeating pattern.
C6	RSCD1.6	<b>Receive Spare Code Definition Bit 6.</b> A Don't Care if a 1-bit length is selected.
C5	RSCD1.5	<b>Receive Spare Code Definition Bit 5.</b> A Don't Care if a 1 or 2 bit length is selected.
C4	RSCD1.4	<b>Receive Spare Code Definition Bit 4.</b> A Don't Care if a 1 to 3 bit length is selected.
C3	RSCD1.3	<b>Receive Spare Code Definition Bit 3.</b> A Don't Care if a 1 to 4 bit length is selected.
C2	RSCD1.2	<b>Receive Spare Code Definition Bit 2.</b> A Don't Care if a 1 to 5 bit length is selected.
C1	RSCD1.1	<b>Receive Spare Code Definition Bit 1.</b> A Don't Care if a 1 to 6 bit length is selected.
C0	RSCD1.0	<b>Receive Spare Code Definition Bit 0.</b> A Don't Care if a 1 to 7 bit length is selected.

## RSCD2A: RECEIVE SPARE CODE DEFINITION REGISTER 2 FRAMER A (Address = 1C Hex)

## RSCD2B: RECEIVE SPARE CODE DEFINITION REGISTER 2 FRAMER B (Address = BC Hex)

(MSB)				(LSB)			
C7	C6	C5	C4	C3	C2	C1	C0

SYMBOL	POSITION	NAME AND DESCRIPTION
C7	RSCD2.7	<b>Receive Spare Code Definition Bit 7.</b> A Don't Care if a 1 to 7 bit length is selected.
C6	RSCD2.6	<b>Receive Spare Code Definition Bit 6.</b> A Don't Care if a 1 to 7 bit length is selected.
C5	RSCD2.5	<b>Receive Spare Code Definition Bit 5.</b> A Don't Care if a 1 to 7 bit length is selected.
C4	RSCD2.4	<b>Receive Spare Code Definition Bit 4.</b> A Don't Care if a 1 to 7 bit length is selected.
C3	RSCD2.3	<b>Receive Spare Code Definition Bit 3.</b> A Don't Care if a 1 to 7 bit length is selected.
C2	RSCD2.2	<b>Receive Spare Code Definition Bit 2.</b> A Don't Care if a 1 to 7 bit length is selected.
C1	RSCD2.1	<b>Receive Spare Code Definition Bit 1.</b> A Don't Care if a 1 to 7 bit length is selected.
C0	RSCD2.0	<b>Receive Spare Code Definition Bit 0.</b> A Don't Care if a 1 to 7 bit length is selected.

### 13. CLOCK BLOCKING REGISTERS

The Receive Channel Blocking Registers (RCBR1/RCBR2/RCBR3) and the Transmit Channel Blocking Registers (TCBR1/TCBR2/TCBR3) control the RCHBLK and TCHBLK pins respectively. The RCHBLK and TCHBLK pins are user programmable outputs that can be forced either high or low during individual channels. These outputs can be used to block clocks to a UART or LAPD controller in Fractional T1 or ISDN-PRI applications. When the appropriate bits are set to a 1, the RCHBLK and TCHBLK pins will be held high during the entire corresponding channel time. See the timing in Section 21 for an example.

**RCBR1A/RCBR2A/RCBR3A: RECEIVE CHANNEL BLOCKING REGISTERS  
FRAMER A (Address = 6C to 6E Hex)**

**RCBR1B/RCBR2B/RCBR3B: RECEIVE CHANNEL BLOCKING REGISTERS  
FRAMER B (Address = EC to EE Hex)**

(MSB)				(LSB)				
CH8	CH7	CH6	CH5	CH4	CH3	CH2	CH1	RCBR1
CH16	CH15	CH14	CH13	CH12	CH11	CH10	CH9	RCBR2
CH24	CH23	CH22	CH21	CH20	CH19	CH18	CH17	RCBR3

SYMBOLS	POSITIONS	NAME AND DESCRIPTION
CH1-24	RCBR1.0-3.7	<p><b>Receive Channel Blocking Control Bits.</b></p> <p>0 = force the RCHBLK pin to remain low during this channel time</p> <p>1 = force the RCHBLK pin high during this channel time</p>

**TCCR1A/TCCR2A/TCCR3A: TRANSMIT CHANNEL BLOCKING REGISTERS  
FRAMER A (Address = 32 to 34 Hex)**

**TCCR1B/TCCR2B/TCCR3B: TRANSMIT CHANNEL BLOCKING REGISTERS  
FRAMER B (Address = D2 to D4 Hex)**

(MSB)				(LSB)				
CH8	CH7	CH6	CH5	CH4	CH3	CH2	CH1	TCCR1
CH16	CH15	CH14	CH13	CH12	CH11	CH10	CH9	TCCR2
CH24	CH23	CH22	CH21	CH20	CH19	CH18	CH17	TCCR3

SYMBOLS	POSITIONS	NAME AND DESCRIPTION
CH1-24	TCCR1.0-3.7	<p><b>Transmit Channel Blocking Control Bits.</b></p> <p>0 = force the TCHBLK pin to remain low during this channel time</p> <p>1 = force the TCHBLK pin high during this channel time</p>

## 14. TRANSMIT TRANSPARENCY

Each of the 24 T1 channels in the transmit direction of the framer can be either forced to be transparent or in other words, can be forced to stop Bit 7 Stuffing from overwriting the data in the channels. Transparency can be invoked on a channel by channel basis by properly setting the TTR1, TTR2, and TTR3 registers.

Each of the bit position in the Transmit Transparency Registers (TTR1/TTR2/TTR3) represent a DS0 channel in the outgoing frame. When these bits are set to a 1, the corresponding channel is transparent (or clear). If a DS0 is programmed to be clear, no Bit 7 stuffing will be performed. However, in the D4 framing mode, bit 2 will be overwritten by a zero when a Yellow Alarm is transmitted. Also the user has the option to prevent the TTR registers from determining which channels are to have Bit 7 stuffing performed. If the TCR2.0 and TCR1.3 bits are set to 1, then all 24 T1 channels will have Bit 7 stuffing performed on them regardless of how the TTR registers are programmed. Please see Figure 21-7 for more details.

**TTR1A/TTR2A/TTR3A: TRANSMIT TRANSPARENCY REGISTER FRAMER A**  
(Address = 39 to 3B Hex)

**TTR1B/TTR2B/TTR3B: TRANSMIT TRANSPARENCY REGISTER FRAMER B**  
(Address = D9 to DB Hex)

(MSB)				(LSB)				
CH8	CH7	CH6	CH5	CH4	CH3	CH2	CH1	TTR1
CH16	CH15	CH14	CH13	CH12	CH11	CH10	CH9	TTR2
CH24	CH23	CH22	CH21	CH20	CH19	CH18	CH17	TTR3

SYMBOLS	POSITIONS	NAME AND DESCRIPTION
CH1-24	TTR1.0-3.7	<b>Transmit Transparency Registers.</b> 0 = this DS0 channel is not transparent 1 = this DS0 channel is transparent

## 15. BERT FUNCTION

The BERT Block can generate and detect both pseudorandom and repeating bit patterns and it is used to test and stress data communication links.

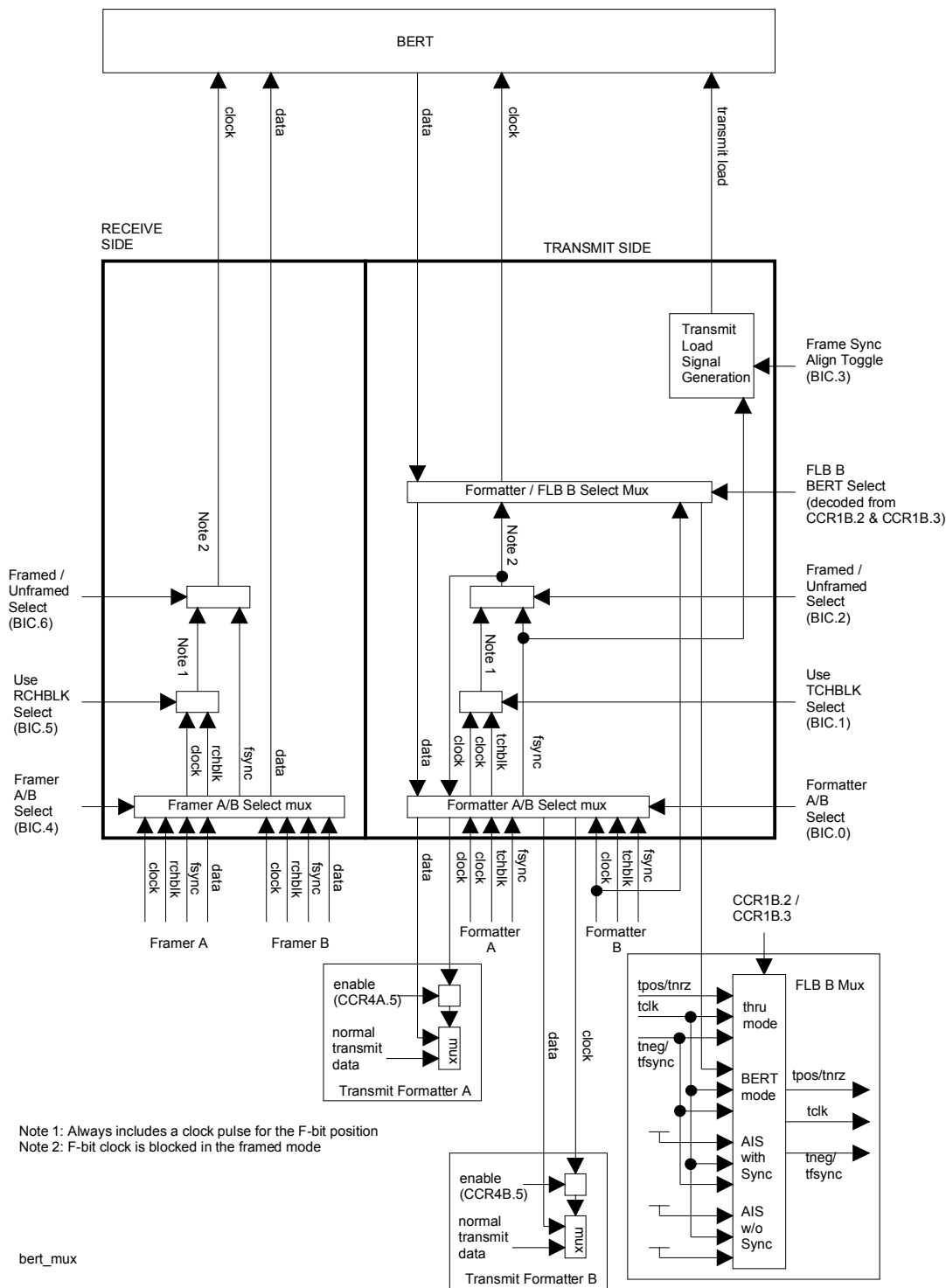
The BERT Block is capable of generating and detected the following patterns:

- The pseudorandom patterns 2E7, 2E11, 2E15, and QRSS
- A repetitive pattern from 1 to 32 bits in length
- Alternating (16-bit) words which flip every 1 to 256 words
- Daly pattern

The BERT receiver has a 32-bit Bit Counter and a 24-bit Error Counter. The BERT receiver will report three events, a change in receive synchronizer status, a bit error being detected, and if either the Bit Counter or the Error Counter overflows. Each of these events can be masked within the BERT function via the BERT Control Register 1 (BC1). If the software detects that the BERT has reported an event has occurred, then the software must read the BERT Information Register (BIR) to determine which event(s) has occurred. To activate the BERT Block, the Host must configure the BERT mux via the BIC register (see Figure 15-1).

The BERT INTERRUPT REQUEST (BIRQ) status bit located at ISR.6 will be set to a 1 if there is a major change of state in the BERT receiver. A major change of state is defined as either a change in the receive synchronization (i.e. the BERT has gone into or out of receive synchronization), a bit error has been detected, or an overflow has occurred in either the Bit Counter or the Error Counter. The Host must read the status bits of the BERT in the BERT Information Register (BIR) to determine the change of state. The BIRQ bit will be cleared when read and will not be set again until the BERT has experienced another change of state.

Figure 15-1: BERT Mux Diagram



## 15.1 BERT REGISTER DESCRIPTION

### BC0: BERT CONTROL REGISTER 0 (Address = 40 Hex)

(MSB)				(LSB)			
–	TINV	RINV	PS2	PS1	PS0	LC	RESYNC

SYMBOL	POSITION	NAME AND DESCRIPTION
–	BC0.7	<b>Not Assigned.</b> Should be set to 0 when written to.
TINV	BC0.6	<b>Transmit Invert Data Enable (TINV).</b> 0 = do not invert the outgoing data stream 1 = invert the outgoing data stream
RINV	BC0.5	<b>Receive Invert Data Enable (RINV).</b> 0 = do not invert the incoming data stream 1 = invert the incoming data stream
PS2	BC0.4	<b>Pattern Select Bit 2.</b> Refer to Table 15-1 for details.
PS1	BC0.3	<b>Pattern Select Bit 1.</b> Refer to Table 15-1 for details.
PS0	BC0.2	<b>Pattern Select Bit 0.</b> Refer to Table 15-1 for details.
LC	BC0.1	<b>Load Bit and Error Counters (LC).</b> A low to high transition latches the current bit and error counts into the host accessible registers BBC0/BBC1/BBC2/BBC3 and BEC0/BEC1/BEC2 and clears the internal count. This bit should be toggled from low to high whenever the host wishes to begin a new acquisition period. Must be cleared and set again for a subsequent loads.
RESYNC	BC0.0	<b>Force Resynchronization (RESYNC).</b> A low to high transition will force the receive BERT synchronizer to resynchronize to the incoming data stream. This bit should be toggled from low to high whenever the host wishes to acquire synchronization on a new pattern. Must be cleared and set again for a subsequent resynchronization.

Table 15-1: **BERT PATTERN SELECT OPTIONS**

PS2	PS1	PS0	Pattern Definition
0	0	0	<b>Pseudorandom 2E7 – 1</b>
0	0	1	<b>Pseudorandom 2E11 – 1</b>
0	1	0	<b>Pseudorandom 2E15 – 1</b>
0	1	1	<b>Pseudorandom Pattern QRSS.</b> A $2^{20} - 1$ pattern with 14 consecutive zero restriction.
1	0	0	<b>Repetitive Pattern</b>
1	0	1	<b>Alternating Word Pattern</b>
1	1	0	<b>Modified 55 Octet (Daly) Pattern</b> The Daly pattern is a repeating 55 octet pattern that is <u>byte</u> aligned into the active DS0 timeslots. The pattern is defined in a ATIS (Alliance for Telecommunications Industry Solutions) Committee T1 Technical Report Number 25 (November 1993).
1	1	1	<b>Reserved</b>

**BC1: BERT Control Register 1 (Address = 41 Hex)**

(MSB)				(LSB)			
IESYNC	IEBED	IEOF	–	RPL3	RPL2	RPL1	RPL0

SYMBOL	POSITION	NAME AND DESCRIPTION
IESYNC	BC1.7	<b>Change of Synchronization Status Interrupt Enable.</b> Interrupt enable for Synchronizer Status (BIR.0) 0 = interrupt masked 1 = interrupt enabled
IEBED	BC1.6	<b>Bit Error Detected Interrupt Enable.</b> Interrupt enable for Bit Error Detected (BIR.3) 0 = interrupt masked 1 = interrupt enabled
IEOF	BC1.5	<b>Bit &amp; Error Counter Overflow Interrupt Enable.</b> Interrupt enable for the BERT Bit Counter (BIR.2) and BERT Error Counter (BIR.1) overflow. 0 = interrupt masked 1 = interrupt enabled
–	BC1.4	<b>Not Assigned.</b> Should be set to 0 when written to.
RPL3	BC1.3	<b>Repetitive Pattern Length Bit 3 (RPL3).</b> Refer to Table 15-2 for details.
RPL2	BC1.2	<b>Repetitive Pattern Length Bit 2 (RPL2).</b> Refer to Table 15-2 for details.
RPL1	BC1.1	<b>Repetitive Pattern Length Bit 1 (RPL1).</b> Refer to Table 15-2 for details.
RPL0	BC1.0	<b>Repetitive Pattern Length Bit 0 (RPL0).</b> Refer to Table 15-2 for details.

## Repetitive Pattern Length Configuration

RPL0 is the LSB and RPL3 is the MSB of a nibble that describes the how long the repetitive pattern is. The valid range is 17 (0000) to 32 (1111). These bits are ignored if the receive BERT is programmed for a pseudorandom pattern. To create repetitive patterns less than 17 bits in length, the user must set the length to an integer number of the desired length that is less than or equal to 32. For example, to create a 6 bit pattern, the user can set the length to 18 (0001) or to 24 (0111) or to 30 (1101).

**Table 15-2: Repetitive Pattern Length Options**

<b>Length</b>	<b>RPL3</b>	<b>RPL2</b>	<b>RPL1</b>	<b>RPL0</b>
17 Bits	0	0	0	0
18 Bits	0	0	0	1
19 Bits	0	0	1	0
20 Bits	0	0	1	1
21 Bits	0	1	0	0
22 Bits	0	1	0	1
23 Bits	0	1	1	0
24 Bits	0	1	1	1
25 Bits	1	0	0	0
26 Bits	1	0	0	1
27 Bits	1	0	1	0
28 Bits	1	0	1	1
29 Bits	1	1	0	0
30 Bits	1	1	0	1
31 Bits	1	1	1	0
32 Bits	1	1	1	1

**BC2: BERT Control Register 2 (Address = 42 Hex)**

(MSB)				(LSB)			
EIB2	EIB1	EIB0	SBE	–	–	–	TC

SYMBOL	POSITION	NAME AND DESCRIPTION
EIB2	BC2.7	<b>Error Insert Bit 2.</b> Will automatically insert bit errors at the prescribed rate into the generated data pattern. Useful for verifying error detection operation. Refer to Table 15-3 for details.
EIB1	BC2.6	<b>Error Insert Bit 1.</b> Refer to Table 15-3 for details.
EIB0	BC2.5	<b>Error Insert Bit 0.</b> Refer to Table 15-3 for details.
SBE	BC2.4	<b>Single Bit Error Insert.</b> A low to high transition will create a single bit error. Must be cleared and set again for a subsequent bit error to be inserted.
–	BC2.3	<b>Not Assigned.</b> Should be set to 0 when written.
–	BC2.2	<b>Not Assigned.</b> Should be set to 0 when written.
–	BC2.1	<b>Not Assigned.</b> Should be set to 0 when written.
TC	BC2.0	<b>Transmit Pattern Load.</b> A low to high transition loads the pattern generator with the pattern that is to be generated. This bit should be toggled from low to high whenever the host wishes to load a new pattern. Must be cleared and set again for a subsequent loads.

Table 15-3: **BERT RATE INSERTION SELECT**

EIB2	EIB1	EIB0	Error Rate Inserted
0	0	0	No errors automatically inserted
0	0	1	10E-1
0	1	0	10E-2
0	1	1	10E-3
1	0	0	10E-4
1	0	1	10E-5
1	1	0	10E-6
1	1	1	10E-7

**BIR: BERT INFORMATION REGISTER (Address = 43 Hex)**

(Refer to Section 7 for explanation of reading latched register bits)

(MSB)				(LSB)			
–	RA1	RA0	RLOS	BED	BBCO	BECO	SYNC

SYMBOL	POSITION	NAME AND DESCRIPTION
–	BIR.7	<b>Not Assigned.</b> Maybe any value when read.
RA1	BIR.6	<b>Receive All 1's (RA1).</b> A latched bit which is set when 32 consecutive 1's are received. Allowed to be cleared once a 0 is received.
RA0	BIR.5	<b>Receive All Zeros (RA0).</b> A latched bit which is set when 32 consecutive zeros are received. Allowed to be cleared once a 1 is received.
RLOS	BIR.4	<b>Receive Loss Of Synchronization (RLOS).</b> A latched bit which is set whenever the receive BERT begins searching for a pattern. Once synchronization is achieved, this bit will remain set until read.
BED	BIR.3	<b>Bit Error Detected (BED).</b> A latched bit which is set when a bit error is detected. The receive BERT must be in synchronization for it detect bit errors. Cleared when read. Can generate interrupts if enabled via IEBED (BC1.6).
BBCO	BIR.2	<b>BERT Bit Counter Overflow (BBCO).</b> A latched bit which is set when the 32-bit BERT Bit Counter (BBC) overflows. Cleared when read and will not be set again until another overflow occurs. Can generate interrupts if enabled via IEOF (BC1.5).
BECO	BIR.1	<b>BERT Error Counter Overflow (BECO).</b> A latched bit which is set when the 24-bit BERT Error Counter (BEC) overflows. Cleared when read and will not be set again until another overflow occurs. Can generate interrupts if enabled via IEOF (BC1.5).
SYNC	BIR.0	<b>Real Time Synchronization Status (SYNC).</b> Real time status of the synchronizer (this bit is not latched). Will be set when the incoming pattern matches for 32 consecutive bit positions. Will be cleared when 6 or more bits out of 64 are received in error. Can generate interrupts on change of state if enabled via IESYNC (BC1.7).

**BAWC: BERT Alternating Word Count Rate. (Address = 44 Hex)**

(MSB)							(LSB)
ALTCNT7	ALTCNT6	ALTCNT5	ALTCNT4	ALTCNT3	ALTCNT2	ALTCNT1	ALTCNT0

SYMBOL	POSITION	NAME AND DESCRIPTION
ALTCNT7	BAWC.7	<b>Alternating Word Count Rate Bit 7. (MSB)</b>
ALTCNT6	BAWC.6	<b>Alternating Word Count Rate Bit 6.</b>
ALTCNT5	BAWC.5	<b>Alternating Word Count Rate Bit 5.</b>
ALTCNT4	BAWC.4	<b>Alternating Word Count Rate Bit 4.</b>
ALTCNT3	BAWC.3	<b>Alternating Word Count Rate Bit 3.</b>
ALTCNT2	BAWC.2	<b>Alternating Word Count Rate Bit 2.</b>
ALTCNT1	BAWC.1	<b>Alternating Word Count Rate Bit 1.</b>
ALTCNT0	BAWC.0	<b>Alternating Word Count Rate Bit 0. (LSB)</b>

When the BERT is programmed in the alternating word mode, the words will repeat for the count loaded into this register then flip to the other word and again repeat for the number of times loaded into this register.

**BRP0: BERT Repetitive Pattern Set Register 0 (Address = 45 Hex)****BRP1: BERT Repetitive Pattern Set Register 1 (Address = 46 Hex)****BRP2: BERT Repetitive Pattern Set Register 2 (Address = 47 Hex)****BRP3: BERT Repetitive Pattern Set Register 3 (Address = 48 Hex)**

(MSB)								(LSB)
RPAT7	RPAT6	RPAT5	RPAT4	RPAT3	RPAT2	RPAT1	RPAT0	BRP0
RPAT15	RPAT14	RPAT13	RPAT12	RPAT11	RPAT10	RPAT9	RPAT8	BRP1
RPAT23	RPAT22	RPAT21	RPAT20	RPAT19	RPAT18	RPAT17	RPAT16	BRP2
RPAT31	RPAT30	RPAT29	RPAT28	RPAT27	RPAT26	RPAT25	RPAT24	BRP3

SYMBOL	POSITION	NAME AND DESCRIPTION
RPAT31	BERTRP3.7	<b>MSB of the 32-bit Repetitive Pattern Set</b>
RPAT0	BERTRP0.0	<b>LSB of the 32-bit Repetitive Pattern Set</b>

**BERT Repetitive Pattern Set.** These registers must be properly loaded for the BERT to properly generate and synchronize to a repetitive pattern, a pseudorandom pattern, alternating word pattern, or a Daly pattern. For a repetitive pattern that is less than 32 bits, then the pattern should be repeated so that all 32 bits are used to describe the pattern. For example if the pattern was the repeating 5-bit pattern ...01101... (where the right most bit is the one sent first and received first) then BRP0 should be loaded with ADh, BRP1 with B5h, BRP2 with D6h, and BRP3 should be loaded with 5Ah. For a pseudorandom pattern, all four registers should be loaded with all 1's (i.e. xFF). For an alternating word pattern, one word should be placed into BRP0 and BRP1 and the other word should be placed into BRP2 and BRP3. For example, if the DDS stress pattern "7E" is to be described, the user would place 00h in BRP0, 00h in BRP1, 7Eh in BRP2, and 7Eh in BRP3 and the alternating word counter would be set to 50 (decimal) to allow 100 bytes of 00h followed by 100 bytes of 7Eh to be sent and received.

**BBC0: BERT Bit Count Register 0 (Address = 49 Hex)**

**BBC1: BERT Bit Count Register 1 (Address = 4A Hex)**

**BBC2: BERT Bit Count Register 2 (Address = 4B Hex)**

**BBC3: BERT Bit Count Register 3 (Address = 4C Hex)**

(MSB)				(LSB)				
BBC7	BBC6	BBC5	BBC4	BBC3	BBC2	BBC1	BBC0	BBC0
BBC15	BBC14	BBC13	BBC12	BBC11	BBC10	BBC9	BBC8	BBC1
BBC23	BBC22	BBC21	BBC20	BBC19	BBC18	BBC17	BBC16	BBC2
BBC31	BBC30	BBC29	BBC28	BBC27	BBC26	BBC25	BBC24	BBC3

SYMBOL	POSITION	NAME AND DESCRIPTION
BBC31	BBC3.7	<b>MSB of the 32-bit Bit Counter</b>
BBC0	BBC0.0	<b>LSB of the 32-bit Bit Counter</b>

**BERT Bit Counter (BBC0/ BBC1/ BBC2/ BBC3).** Once BERT has achieved synchronization, this 32-bit counter will increment for each data bit (i.e. clock) received. Toggling the LC control bit in BC0 can clear this counter. This counter saturates when full and will set the BBC0 status bit.

**BEC0: BERT Error Count Register 0 (Address = 4D Hex)**

**BEC1: BERT Error Count Register 1 (Address = 4E Hex)**

**BEC2: BERT Error Count Register 2 (Address = 4F Hex)**

(MSB)				(LSB)				
EC7	EC6	EC5	EC4	EC3	EC2	EC1	EC0	BERTEC0
EC15	EC14	EC13	EC12	EC11	EC10	EC9	EC8	BERTEC1
EC23	EC22	EC21	EC20	EC19	EC18	EC17	EC16	BERTEC2

SYMBOL	POSITION	NAME AND DESCRIPTION
EC24	BEC2.7	<b>MSB of the 24-bit Error Counter</b>
EC0	BEC0.0	<b>LSB of the 24-bit Error Counter</b>

**BERT Error Counter (BEC0/ BEC1/ BEC2).** Once BERT has achieved synchronization, this 24-bit counter will increment for each data bit received in error. Toggling the LC control bit in BC0 can clear this counter. This counter saturates when full and will set the BECO status bit.

**BIC: BERT INTERFACE CONTROL REGISTER (Address = 50 Hex)**

<b>(MSB)</b>				<b>(LSB)</b>			
	RFUS	RRCB	RABS	TBAT	TFUS	TTCB	TABS

<b>SYMBOL</b>	<b>POSITION</b>	<b>NAME AND DESCRIPTION</b>
–	BIC.7	<b>Not Assigned.</b> Should be set to 0 when written to.
RFUS	BIC.6	<b>Receive Framed/Unframed Select.</b> 0 = BERT will not be sent data from the F-bit position (framed) 1 = BERT will be sent data from the F-bit position (unframed)
RRCB	BIC.5	<b>Receive RCHBLK Select.</b> 0 = do not use RCHBLK to select which DS0 channels are to be routed to BERT 1 = use RCHBLK to select which DS0 channels are to be routed to BERT
RABS	BIC.4	<b>Receive Framer A or B Select.</b> 0 = route data from framer A 1 = route data from framer B
TBAT	BIC.3	<b>Transmit Byte Align Toggle.</b> A 0 to 1 transition will force the BERT to byte align it's pattern with the transmit formatter. This bit must be transitioned in order to byte align the Daly Pattern.
TFUS	BIC.2	<b>Transmit Framed/Unframed Select.</b> 0 = BERT will not source data into the F-bit position (framed) 1 = BERT will source data into the F-bit position (unframed)
TTCB	BIC.1	<b>Transmit TCHBLK Select.</b> 0 = do not use TCHBLK to select which DS0 channels are to contain BERT data 1 = use TCHBLK to select which DS0 channels are to contain BERT data
TABS	BIC.0	<b>Transmit Formatter A or B Select.</b> 0 = route data to formatter A 1 = route data to formatter B

## 16. ERROR INSERTION FUNCTION

An Error insertion function is available in each formatter of the DS2196 and is used to create errors in the payload portion of the T1 frame in the transmit path. See Figure 21-7 for location. Errors can be inserted over the entire frame or the user may select which channels are to be corrupted. Errors are created by inverting the last bit in the count sequence. For example if the error rate 1 in 16 is selected, the 16<sup>th</sup> bit is inverted. F-bits are excluded from the count and are never corrupted. Error rate changes occur on frame boundaries. Error insertion options include continuous and absolute number with both options supporting selectable insertion rates.

Transmit error insertion setup guideline.

1. Enter desired error rate in the ERC register. Refer to table 16-1 for available rates. Note: If ER3:0 = 0, no errors will be generated even if the constant error insertion feature is enabled.
- 2A. For constant error insertion set CE = 1 (ERC.4).
- or
- 2B. For a defined number of errors:
  - Set CE = 0 (ERC.4)
  - Load NOE1 & NOE 2 with the number of errors to be inserted
  - Toggle WNOE (ERC.7) from 0 to 1, to begin error insertion

**ERCA: ERROR RATE CONTROL REGISTER FRAMER A (Address = 80 Hex)****ERCB: ERROR RATE CONTROL REGISTER FRAMER A (Address = 85 Hex)**

(MSB)								(LSB)
WNOE	RNOE	TCBE	CE	ER3	ER2	ER1	ER0	
<b>SYMBOL</b>	<b>POSITION</b>	<b>NAME AND DESCRIPTION</b>						
WNOE	ERC.7	<b>Write NOE Registers.</b> If the Host wishes to update to the NOE registers, this bit must be toggled from a 0 to a 1 after the Host has already loaded the prescribed error count into the NOE registers. The toggling of this bit causes the error count loaded into the NOE registers to be loaded into the error insertion circuitry on the next clock cycle. Subsequent updates require that the WNOE bit be set to 0 and then 1 once again.						
RNOE	ERC.6	<b>Read RNOEL Registers.</b> If the Host wishes to obtain the latest count of the number of errors left to be inserted by the error insertion function, then this bit must be toggled from a 0 to a 1. Subsequent reads require that the RNOE bit be set to 0 and then 1 once again. The Host must wait at least 972 ns (1.5 clock periods) after toggling this bit to read the NOEL registers. The Host may read the NOEL registers at any time but they will contain either the count of errors left to be inserted (after toggling the RNOE bit) or the count of the number of errors that the Host has loaded (after writing to the NOE registers).						
TCBE	ERC.5	<b>TCHBLK Enable.</b> This bit determines whether the TCHBLK signal should be used to “block” certain channels from being corrupted. When TCBE is set high, then the error insertion logic will not corrupt DS0 channels in which the TCHBLK signal has been programmed high.  0 = all the error insertion logic to corrupt all DS0 channels 1 = allow the error insertion logic to only corrupt the DS0 channels determined by the TCHBLK signal						
CE	ERC.4	<b>Constant Errors.</b> When this bit is set high (and the ER0 to ER3 bits are not set to 0000), the error insertion logic will ignore the Number Of Error registers (NOE1A, NOE2A, NOE1B, and NOE2B) and generate errors constantly at the selected insertion rate. When CE is set to 0, the NOE registers determine how many errors are to be inserted.						
ER3	ERC.3	<b>Error Rate Bit 3.</b> Refer to Table 16-1 for details.						
ER2	ERC.2	<b>Error Rate Bit 2.</b> Refer to Table 16-1 for details.						
ER1	ERC.1	<b>Error Rate Bit 1.</b> Refer to Table 16-1 for details.						
ER0	ERC.0	<b>Error Rate Bit 0.</b> Refer to Table 16-1 for details.						

Table 16-1: Error Rate Options

ER3	ER2	ER1	ER0	Error Rate
0	0	0	0	No errors inserted
0	0	0	1	1 in 16
0	0	1	0	1 in 32
0	0	1	1	1 in 64
0	1	0	0	1 in 128
0	1	0	1	1 in 256
0	1	1	0	1 in 512
0	1	1	1	1 in 1024
1	0	0	0	1 in 2048
1	0	0	1	1 in 4096
1	0	1	0	1 in 8192
1	0	1	1	1 in 16384
1	1	0	0	1 in 32768
1	1	0	1	1 in 65536
1	1	1	0	1 in 131072
1	1	1	1	1 in 262144

**NOE1A: NUMBER of ERRORS 1 FRAMER A (Address = 81 Hex)**

**NOE1B: NUMBER of ERRORS 1 FRAMER B (Address = 86 Hex)**

**NOE2A: NUMBER of ERRORS 2 FRAMER A (Address = 82 Hex)**

**NOE2B: NUMBER of ERRORS 2 FRAMER B (Address = 87 Hex)**

(MSB)				(LSB)				
C7	C6	C5	C4	C3	C2	C1	C0	
–	–	–	–	–	–	C9	C8	NOE1 NOE2

SYMBOL	POSITION	NAME AND DESCRIPTION
C9	NOE2.1	<b>MSB of the 10-bit Number of Errors Counter</b>
C0	NOE1.0	<b>LSB of the 10-bit Number of Errors Counter</b>

**Number Of Errors Registers.** The Number Of Error registers determines how many errors will be generated. Up to 1023 errors can be generated. The Host will load the number of errors to be generated into the NOE registers. The Host can also update the number of errors to be created by first loading the prescribed value into the NOE registers and then toggling the WNOE bit in the Error Rate Control registers. Refer to Table 16-2 for examples.

Table 16-2: Error Insertion examples

Value	Write	Read
000h	do not create any errors	no errors left to be inserted
001h	create a single error	1 error left to be inserted
002h	create 2 errors	2 errors left to be inserted
3FFh	create 1023 errors	1023 errors left to be inserted

**NOEL1A: NUMBER of ERRORS LEFT 1 FRAMER A (Address = 83 Hex)**

**NOEL1B: NUMBER of ERRORS LEFT 1 FRAMER B (Address = 88 Hex)**

**NOEL2A: NUMBER of ERRORS LEFT 2 FRAMER A (Address = 84 Hex)**

**NOEL2B: NUMBER of ERRORS LEFT 2 FRAMER B (Address = 89 Hex)**

(MSB)				(LSB)				
C7	C6	C5	C4	C3	C2	C1	C0	NOEL1
–	–	–	–	–	–	C9	C8	NOEL2

SYMBOL	POSITION	NAME AND DESCRIPTION
C9	NOEL2.1	<b>MSB of the 10-bit Number of Errors Left Counter</b>
C0	NOEL1.0	<b>LSB of the 10-bit Number of Errors Left Counter</b>

**Number Of Errors Left Registers.** The Host can read the NOEL registers at any time (to determine how many errors are left to be inserted) by toggling the RNOE bit in the Error Rate Control registers (ERCA and ERCB) from a 0 to a 1. After the RNOE bit is toggled, the Host may read the NOEL registers after waiting at least 972 ns (1.5 clock periods).

## 17. HDLC CONTROLLER

The DS2196 has an enhanced HDLC controller configurable for use with the Facilities Data Link or DS0s. There are 64 byte buffers in both the transmit and receive paths. The user can select any DS0 or multiple DS0s as well as any specific bits within the DS0(s) to pass through the HDLC controller. See Figure 21-7 for details on formatting the transmit side. Note that TBOC.6 = 1 and TDC1.7 = 1 cannot exist without corrupting the data in the FDL. For use with the FDL, see section 18. See Table 17-1 for configuring the transmit HDLC controller.

Table 17-1: TRANSMIT HDLC CONFIGURATION

Function	TBOC.6	TDC1.7	TCR1.2
DS0(s)	0	1	1 or 0
FDL	1	0	1
Disable	0	0	1 or 0

Four new registers were added for the enhanced functionality of the HDLC controller; RDC1, RDC2, TDC1, and TDC2. Note that the BOC controller is functional when the HDLC controller is used for DS0s. Section 18 contains all of the HDLC and BOC registers and information on FDL/Fs Extraction and Insertion with and without the HDLC controller.

## 17.1 HDLC FOR DS0S

When using the HDLC controllers for DS0s, the same registers shown in section 18 will be used except for the TBOC and RBOC registers and bits HCR.7, HSR.7, and HIMR.7.

As a basic guideline for interpreting and sending HDLC messages and BOC messages, the following sequences can be applied.

### Receive a HDLC Message

1. Enable RPS interrupts
2. Wait for interrupt to occur
3. Disable RPS interrupt and enable either RPE, RNE, or RHALF interrupt
4. Read RHIR to obtain REMPTY status
  - a. If REMPTY=0, then record OBYTE, CBYTE, and POK bits and then read the FIFO
    - a1. if CBYTE=0 then skip to step 5
    - a2. if CBYTE=1 then skip to step 7
  - b. If REMPTY=1, then skip to step 6
5. Repeat step 4
6. Wait for interrupt, skip to step 4
7. If POK=0, then discard whole packet, if POK=1, accept the packet
8. Disable RPE, RNE, or RHALF interrupt, enable RPS interrupt and return to step 1.

### Transmit a HDLC Message

1. Make sure HDLC controller is done sending any previous messages and is current sending flags by checking that the FIFO is empty by reading the TEMPTY status bit in the THIR register
2. Enable either the THALF or TNF interrupt
3. Read THIR to obtain TFULL status
  - a. If TFULL=0, then write a byte into the FIFO and skip to next step (special case occurs when the last byte is to be written, in this case set TEOM=1 before writing the byte and then skip to step 6)
  - b. If TFULL=1, then skip to step 5
4. Repeat step 3
5. Wait for interrupt, skip to step 3
6. Disable THALF or TNF interrupt and enable TMEND interrupt
7. Wait for an interrupt, then read TUDR status bit to make sure packet was transmitted correctly.

## **18. FDL/Fs EXTRACTION AND INSERTION**

Each Framer/Formatter has the ability to extract/insert data from/ into the Facility Data Link (FDL) in the ESF framing mode and from/into Fs-bit position in the D4 framing mode. Since SLC-96 utilizes the Fs-bit position, this capability can also be used in SLC-96 applications. The DS2196 contains a complete HDLC and BOC controller for the FDL and this operation is covered in Section 18.1. To allow for backward compatibility between the DS2196 and earlier devices, the DS2196 maintains some legacy functionality for the FDL and this is covered in Section 18.2. Section 18.3 covers D4 and SLC-96 operation. Please contact the factory for a copy of C language source code for implementing the FDL on the DS2196.

### **18.1 HDLC AND BOC CONTROLLER FOR THE FDL**

#### **18.1.1 General Overview**

The DS2196 contains a complete HDLC controller with 64-byte buffers in both the transmit and receive directions as well as separate dedicated hardware for Bit Oriented Codes (BOC). The HDLC controller performs all the necessary overhead for generating and receiving Performance Report Messages (NPRMs and SPRMs) as described in ANSI T1.403-1998 and the messages as described in AT&T TR54016. The HDLC controller automatically generates and detects flags, generates and checks the CRC check sum, generates and detects abort sequences, stuffs and destuffs zeros (for transparency), and byte aligns to the HDLC data stream. The 64-byte buffers in the HDLC controller are large enough to allow a full NPRM or SPRM to be received or transmitted without host intervention. The BOC controller will automatically detect incoming BOC sequences and alert the host. When the BOC ceases, the DS2196 will also alert the host. The user can set the device up to send any of the possible 6-bit BOC codes.

There are thirteen registers that the host will use to operate and control the operation of the HDLC and BOC controllers. A brief description of the registers is shown in Table 18-1.

Table 18-1: HDLC/BOC CONTROLLER REGISTER LIST

NAME	FUNCTION
HDLC Control Register (HCR)	general control over the HDLC and BOC controllers
HDLC Status Register (HSR)	key status information for both transmit and receive directions
HDLC Interrupt Mask Register (HIMR)	allows/stops status bits to/from causing an interrupt
Receive HDLC Information Register (RHIR)	status information on receive HDLC controller status
Receive BOC Register (RBOC)	information on receive BOC controller
Receive HDLC FIFO Register (RHFR)	access to 64-byte HDLC FIFO in receive direction
Receive HDLC DS0 Control Register 1 (RDC1) Receive HDLC DS0 Control Register 2 (RDC2)	controls the HDLC function when used on DS0 channels
Transmit HDLC Information Register (THIR)	status information on transmit HDLC controller
Transmit BOC Register (TBOC)	enables/disables transmission of BOC codes
Transmit HDLC FIFO Register (THFR)	access to 64-byte HDLC FIFO in transmit direction
Transmit HDLC DS0 Control Register 1 (TDC1) Transmit HDLC DS0 Control Register 2 (TDC2)	controls the HDLC function when used on DS0 channels

## 18.1.2 STATUS REGISTER FOR THE HDLC

Four of the HDLC/BOC controller registers (HSR, RHIR, RBOC, and THIR) provide status information. When a particular event has occurred (or is occurring), the appropriate bit in one of these four registers will be set to a 1. Some of the bits in these four HDLC status registers are latched and some are real time bits that are not latched. Section 18.1.4 contains register descriptions that list which bits are latched and which are not. With the latched bits, when an event occurs and a bit is set to a 1, it will remain set until the user reads that bit. The bit will be cleared when it is read and it will not be set again until the event has occurred again. The real time bits report the current instantaneous conditions that are occurring and the history of these bits is not latched.

Like the other status registers in the DS2196, the user will always proceed a read of any of the four registers with a write. The byte written to the register will inform the DS2196 which of the latched bits the user wishes to read and have cleared (the real time bits are not affected by writing to the status register). The user will write a byte to one of these registers, with a 1 in the bit positions he or she wishes to read and a 0 in the bit positions he or she does not wish to obtain the latest information on. When a 1 is written to a bit location, the read register will be updated with current value and it will be cleared. When a 0 is written to a bit position, the read register will not be updated and the previous value will be held. A write to the status and information registers will be immediately followed by a read of the same register. The read result should be logically AND'ed with the mask byte that was just written and this value should be written back into the same register to insure that bit does indeed clear. This second write step is necessary because the alarms and events in the status registers occur asynchronously in respect to their access via the parallel port. This write-read-write (for polled driven access) or write-read (for interrupt driven access) scheme allows an external microcontroller or microprocessor to individually poll certain bits without disturbing the other bits in the register. This operation is key in controlling the DS2196 with higher-order software languages.

Like the SR1 and SR2 status registers, the HSR register has the unique ability to initiate a hardware interrupt via the INT output pin. Each of the events in the HSR can be either masked or unmasked from the interrupt pin via the HDLC Interrupt Mask Register (HIMR). Interrupts will force the INT pin low when the event occurs. The INT pin will be allowed to return high (if no other interrupts are present) when the user reads the event bit that caused the interrupt to occur.

## 18.1.3 Basic Operation Details

To allow the framer to properly source/receive data from/to the HDLC and BOC controller the legacy FDL circuitry (which is described in Section 18.2) should be disabled and the following bits should be programmed as shown:

TCR1.2 = 1 (source FDL data from the HDLC and BOC controller)

TBOC.6 = 1 (enable HDLC and BOC controller)

CCR2.5 = 0 (disable SLC-96 and D4 Fs-bit insertion)

CCR2.4 = 0 (disable legacy FDL zero stuffer)

CCR2.1 = 0 (disable SLC-96 reception)

CCR2.0 = 0 (disable legacy FDL zero stuffer)

IMR2.4 = 0 (disable legacy receive FDL buffer full interrupt)

IMR2.3 = 0 (disable legacy transmit FDL buffer empty interrupt)

IMR2.2 = 0 (disable legacy FDL match interrupt)

IMR2.1 = 0 (disable legacy FDL abort interrupt).

As a basic guideline for interpreting and sending both HDLC messages and BOC messages, the following sequences can be applied:

## Receive a HDLC Message or a BOC

1. Enable RBOC and RPS interrupts
2. Wait for interrupt to occur
3. If RBOC=1, then follow steps 5 and 6
4. If RPS=1, then follow steps 7 through 12
5. If LBD=1, a BOC is present, then read the code from the RBOC register and take action as needed
6. If BD=0, a BOC has ceased, take action as needed and then return to step 1
7. Disable RPS interrupt and enable either RPE, RNE, or RHALF interrupt
8. Read RHIR to obtain EMPTY status a. if EMPTY=0, then record OBYTE, CBYTE, and POK bits and then read the FIFO a1. if CBYTE=0 then skip to step 9 a2. if CBYTE=1 then skip to step 11 b. if EMPTY=1, then skip to step 10
9. Repeat step 8
10. Wait for interrupt, skip to step 8
11. If POK=0, then discard whole packet, if POK=1, accept the packet 12. disable RPE, RNE, or RHALF interrupt, enable RPS interrupt and return to step 1.

## Transmit a HDLC Message

1. Make sure HDLC controller is done sending any previous messages and is current sending flags by checking that the FIFO is empty by reading the EMPTY status bit in the THIR register
2. Enable either the THALF or TNF interrupt
3. Read THIR to obtain TFULL status a. if TFULL=0, then write a byte into the FIFO and skip to next step (special case occurs when the last byte is to be written, in this case set TEOM=1 before writing the byte and then skip to step 6) b. if TFULL=1, then skip to step 5
4. Repeat step 3
5. Wait for interrupt, skip to step 3
6. Disable THALF or TNF interrupt and enable TMEND interrupt
7. Wait for an interrupt, then read TUDR status bit to make sure packet was transmitted correctly.

## Transmit a BOC

1. Write 6-bit code into TBOC
2. Set SBOC bit in TBOC=1

## 18.1.4 HDLC/BOC Register Description

**HCRA: HDLC CONTROL REGISTER FRAMER A (Address = 00 Hex)**

**HCRB: HDLC CONTROL REGISTER FRAMER B (Address = A0 Hex)**

(MSB)				(LSB)			
RBR	RHR	TFS	THR	TABT	TEOM	TZSD	TCRCD

SYMBOL	POSITION	NAME AND DESCRIPTION
RBR	HCR.7	<b>Receive BOC Reset.</b> A 0 to 1 transition will reset the BOC circuitry. Must be cleared and set again for a subsequent reset.
RHR	HCR.6	<b>Receive HDLC Reset.</b> A 0 to 1 transition will reset the HDLC controller. Must be cleared and set again for a subsequent reset.
TFS	HCR.5	<b>Transmit Flag/Idle Select.</b> 0 = 7Eh 1 = FFh
THR	HCR.4	<b>Transmit HDLC Reset.</b> A 0 to 1 transition will reset both the HDLC controller and the transmit BOC circuitry. Must be cleared and set again for a subsequent reset.
TABT	HCR.3	<b>Transmit Abort.</b> A 0 to 1 transition will cause the FIFO contents to be dumped and one FEh abort to be sent followed by 7Eh or FFh flags/idle until a new packet is initiated by writing new data into the FIFO. Must be cleared and set again for a subsequent abort to be sent.
TEOM	HCR.2	<b>Transmit End of Message.</b> Should be set to a 1 just before the last data byte of a HDLC packet is written into the transmit FIFO at THFR. The HDLC controller will clear this bit when the last byte has been transmitted.
TZSD	HCR.1	<b>Transmit Zero Stuffer Defeat.</b> Overrides internal enable. 0 = enable the zero stuffer (normal operation) 1 = disable the zero stuffer
TCRCD	HCR.0	<b>Transmit CRC Defeat.</b> 0 = enable CRC generation (normal operation) 1 = disable CRC generation

**HSRA: HDLC STATUS REGISTER FRAMER A (Address = 01 Hex)****HSRB: HDLC STATUS REGISTER FRAMER B (Address = A1 Hex)**

<b>(MSB)</b>			<b>(LSB)</b>				
RBOC	RPE	RPS	RHALF	RNE	THALF	TNF	TMEND
<b>SYMBOL</b>	<b>POSITION</b>	<b>NAME AND DESCRIPTION</b>					
RBOC	HSR.7	<b>Receive BOC Detector Change of State.</b> Set whenever the BOC detector sees a change of state from a BOC Detected to a No Valid Code seen or vice versa. The setting of this bit prompts the user to read the RBOC register for details.					
RPE	HSR.6	<b>Receive Packet End.</b> Set when the HDLC controller detects either the finish of a valid message (i.e., CRC check complete) or when the controller has experienced a message fault such as a CRC checking error, or an overrun condition, or an abort has been seen. The setting of this bit prompts the user to read the RHIR register for details.					
RPS	HSR.5	<b>Receive Packet Start.</b> Set when the HDLC controller detects an opening byte. The setting of this bit prompts the user to read the RHIR register for details.					
RHALF	HSR.4	<b>Receive FIFO Half Full.</b> Set when the receive 64-byte FIFO fills beyond the half waypoint. The setting of this bit prompts the user to read the RHIR register for details.					
RNE	HSR.3	<b>Receive FIFO Not Empty.</b> Set when the receive 64-byte FIFO has at least one byte available for a read. The setting of this bit prompts the user to read the RHIR register for details.					
THALF	HSR.2	<b>Transmit FIFO Half Empty.</b> Set when the transmit 64-byte FIFO empties beyond the half waypoint. The setting of this bit prompts the user to read the THIR register for details.					
TNF	HSR.1	<b>Transmit FIFO Not Full.</b> Set when the transmit 64-byte FIFO has at least one byte available. The setting of this bit prompts the user to read the THIR register for details.					
TMEND	HSR.0	<b>Transmit Message End.</b> Set when the transmit HDLC controller has finished sending a message. The setting of this bit prompts the user to read the THIR register for details.					

**NOTE:**

The RBOC, RPE, RPS, and TMEND bits are latched and will be cleared when read.

**HIMRA: HDLC INTERRUPT MASK REGISTER FRAMER A (Address = 02 Hex)**  
**HIMRB: HDLC INTERRUPT MASK REGISTER FRAMER B (Address = A2 Hex)**

(MSB)						(LSB)	
RBOC	RPE	RPS	RHALF	RNE	THALF	TNF	TMEND

SYMBOL	POSITION	NAME AND DESCRIPTION
RBOC	HIMR.7	<b>Receive BOC Detector Change of State.</b> 0 = interrupt masked 1 = interrupt enabled
RPE	HIMR.6	<b>Receive Packet End.</b> 0 = interrupt masked 1 = interrupt enabled
RPS	HIMR.5	<b>Receive Packet Start.</b> 0 = interrupt masked 1 = interrupt enabled
RHALF	HIMR.4	<b>Receive FIFO Half Full.</b> 0 = interrupt masked 1 = interrupt enabled
RNE	HIMR.3	<b>Receive FIFO Not Empty.</b> 0 = interrupt masked 1 = interrupt enabled
THALF	HIMR.2	<b>Transmit FIFO Half Empty.</b> 0 = interrupt masked 1 = interrupt enabled
TNF	HIMR.1	<b>Transmit FIFO Not Full.</b> 0 = interrupt masked 1 = interrupt enabled
TMEND	HIMR.0	<b>Transmit Message End.</b> 0 = interrupt masked 1 = interrupt enabled

**RHIRA: RECEIVE HDLC INFORMATION REGISTER FRAMER A****(Address = 03 Hex)****RHIRB: RECEIVE HDLC INFORMATION REGISTER FRAMER B****(Address = A3 Hex)**

<b>(MSB)</b>								<b>(LSB)</b>	
RABT	RCRCE	ROVR	RVM	EMPTY	POK	CBYTE	OBYTE		

SYMBOL	POSITION	NAME AND DESCRIPTION
RABT	RHIR.7	<b>Abort Sequence Detected.</b> Set whenever the HDLC controller sees 7 or more 1's in a row.
RCRCE	RHIR.6	<b>CRC Error.</b> Set when the CRC checksum is in error.
ROVR	RHIR.5	<b>Overrun.</b> Set when the HDLC controller has attempted to write a byte into an already full receive FIFO.
RVM	RHIR.4	<b>Valid Message.</b> Set when the HDLC controller has detected and checked a complete HDLC packet.
EMPTY	RHIR.3	<b>Empty.</b> A real-time bit that is set high when the receive FIFO is empty.
POK	RHIR.2	<b>Packet OK.</b> Set when the byte available for reading in the receive FIFO at RHFR is the last byte of a valid message (and hence no abort was seen, no overrun occurred, and the CRC was correct).
CBYTE	RHIR.1	<b>Closing Byte.</b> Set when the byte available for reading in the receive FIFO at RHFR is the last byte of a message (whether the message was valid or not).
OBYTE	RHIR.0	<b>Opening Byte.</b> Set when the byte available for reading in the receive FIFO at RHFR is the first byte of a message.

**NOTE:**

The RABT, RCRCE, ROVR, and RVM bits are latched and will be cleared when read.

**RBOCA: RECEIVE BIT ORIENTED CODE REGISTER FRAMER A****(Address = 04 Hex)****RBOCB: RECEIVE BIT ORIENTED CODE REGISTER FRAMER B****(Address = A4 Hex)**

<b>(MSB)</b>						<b>(LSB)</b>	
LBD	BD	BOC5	BOC4	BOC3	BOC2	BOC1	BOC0

SYMBOL	POSITION	NAME AND DESCRIPTION
LBD	RBOC.7	<b>Latched BOC Detected.</b> A latched version of the BD status bit (RBOC.6). Will be cleared when read.
BD	RBOC.6	<b>BOC Detected.</b> A real-time bit that is set high when the BOC detector is presently seeing a valid sequence and set low when no BOC is currently being detected.
BOC5	RBOC.5	<b>BOC Bit 5.</b> Last bit received of the 6-bit code word.
BOC4	RBOC.4	<b>BOC Bit 4.</b>
BOC3	RBOC.3	<b>BOC Bit 3.</b>
BOC2	RBOC.2	<b>BOC Bit 2.</b>
BOC1	RBOC.1	<b>BOC Bit 1.</b>
BOC0	RBOC.0	<b>BOC Bit 0.</b> First bit received of the 6-bit code word.

**NOTE:**

1. The LBD bit is latched and will be cleared when read.
2. The RBOC0 to RBOC5 bits display the last valid BOC code verified; these bits will be set to all 1's on reset.

**RHFRA: RECEIVE HDLC FIFO from FRAMER A (Address = 05 Hex)****RHFRB: RECEIVE HDLC FIFO from FRAMER B (Address = A5 Hex)**

<b>(MSB)</b>						<b>(LSB)</b>	
HDLC7	HDLC6	HDLC5	HDLC4	HDLC3	HDLC2	HDLC1	HDLC0

SYMBOL	POSITION	NAME AND DESCRIPTION
HDLC7	RHFR.7	<b>HDLC Data Bit 7.</b> MSB of a HDLC packet data byte.
HDLC6	RHFR.6	<b>HDLC Data Bit 6.</b>
HDLC5	RHFR.5	<b>HDLC Data Bit 5.</b>
HDLC4	RHFR.4	<b>HDLC Data Bit 4.</b>
HDLC3	RHFR.3	<b>HDLC Data Bit 3.</b>
HDLC2	RHFR.2	<b>HDLC Data Bit 2.</b>
HDLC1	RHFR.1	<b>HDLC Data Bit 1.</b>
HDLC0	RHFR.0	<b>HDLC Data Bit 0.</b> LSB of a HDLC packet data byte.

**THIRA: TRANSMIT HDLC INFORMATION for FORMATTER A****(Address = 06 Hex)****THIRB: TRANSMIT HDLC INFORMATION for FORMATTER B****(Address = A6 Hex)**

(MSB)					(LSB)		
–	–	–	–	–	EMPTY	TFULL	TUDR

SYMBOL	POSITION	NAME AND DESCRIPTION
–	THIR.7	<b>Not Assigned.</b> Could be any value when read.
–	THIR.6	<b>Not Assigned.</b> Could be any value when read.
–	THIR.5	<b>Not Assigned.</b> Could be any value when read.
–	THIR.4	<b>Not Assigned.</b> Could be any value when read.
–	THIR.3	<b>Not Assigned.</b> Could be any value when read.
EMPTY	THIR.2	<b>Transmit FIFO Empty.</b> A real-time bit that is set high when the FIFO is empty.
TFULL	THIR.1	<b>Transmit FIFO Full.</b> A real-time bit that is set high when the FIFO is full.
TUDR	THIR.0	<b>Transmit FIFO Underrun.</b> Set when the transmit FIFO unwantedly empties out and an abort is automatically sent.

**NOTE:**

The TUDR bit is latched and will be cleared when read.

**TBOCA: TRANSMIT BIT ORIENTED CODE for FORMATTER A****(Address = 07 Hex)****TBOCB: TRANSMIT BIT ORIENTED CODE for FORMATTER B****(Address = A7 Hex)**

<b>(MSB)</b>						<b>(LSB)</b>	
SBOC	HBEN	BOC5	BOC4	BOC3	BOC2	BOC1	BOC0

SYMBOL	POSITION	NAME AND DESCRIPTION
SBOC	TBOC.7	<b>Send BOC.</b> Rising edge triggered. Must be transitioned from a 0 to a 1 transmit the BOC code placed in the BOC0 to BOC5 bits instead of data from the HDLC controller.
HBEN	TBOC.6	<b>Transmit HDLC &amp; BOC Controller Enable.</b> 0 = source FDL data from the TLINK pin 1 = source FDL data from the onboard HDLC and BOC controller
BOC5	TBOC.5	<b>BOC Bit 5.</b> Last bit transmitted of the 6-bit code word.
BOC4	TBOC.4	<b>BOC Bit 4.</b>
BOC3	TBOC.3	<b>BOC Bit 3.</b>
BOC2	TBOC.2	<b>BOC Bit 2.</b>
BOC1	TBOC.1	<b>BOC Bit 1.</b>
BOC0	TBOC.0	<b>BOC Bit 0.</b> First bit transmitted of the 6-bit code word.

**THFRA: TRANSMIT HDLC FIFO for FORMATTER A (Address = 08 Hex)****THFRB: TRANSMIT HDLC FIFO for FORMATTER B (Address = A8 Hex)**

<b>(MSB)</b>						<b>(LSB)</b>	
HDLC7	HDLC6	HDLC5	HDLC4	HDLC3	HDLC2	HDLC1	HDLC0

SYMBOL	POSITION	NAME AND DESCRIPTION
HDLC7	THFR.7	<b>HDLC Data Bit 7.</b> MSB of a HDLC packet data byte.
HDLC6	THFR.6	<b>HDLC Data Bit 6.</b>
HDLC5	THFR.5	<b>HDLC Data Bit 5.</b>
HDLC4	THFR.4	<b>HDLC Data Bit 4.</b>
HDLC3	THFR.3	<b>HDLC Data Bit 3.</b>
HDLC2	THFR.2	<b>HDLC Data Bit 2.</b>
HDLC1	THFR.1	<b>HDLC Data Bit 1.</b>
HDLC0	THFR.0	<b>HDLC Data Bit 0.</b> LSB of a HDLC packet data byte.

**RDC1A: RECEIVE HDLC DS0 CONTROL REGISTER 1 FRAMER A****(Address = 90 Hex)****RDC1B: RECEIVE HDLC DS0 CONTROL REGISTER 1 FRAMER B****(Address = 94 Hex)**

<b>(MSB)</b>								<b>(LSB)</b>
RDS0E	-	RDS0M	RD4	RD3	RD2	RD1	RD0	

<b>SYMBOL</b>	<b>POSITION</b>	<b>NAME AND DESCRIPTION</b>
RDS0E	RDC1.7	<b>HDLC DS0 Enable.</b> 0 = use receive HDLC controller for the FDL. 1 = use receive HDLC controller for one or more DS0 channels.
-	RDC1.6	<b>Not Assigned.</b> Should be set to 0.
RDS0M	RDC1.5	<b>DS0 Selection Mode.</b> 0 = utilize the RD0 to RD4 bits to select which single DS0 channel to use. 1 = utilize the RCHBLK control registers to select which DS0 channels to use.
RD4	RDC1.4	<b>DS0 Channel Select Bit 4.</b> MSB of the DS0 channel select.
RD3	RDC1.3	<b>DS0 Channel Select Bit 3.</b>
RD2	RDC1.2	<b>DS0 Channel Select Bit 2.</b>
RD1	RDC1.1	<b>DS0 Channel Select Bit 1.</b>
RD0	RDC1.0	<b>DS0 Channel Select Bit 0.</b> LSB of the DS0 channel select.

**RDC2A: RECEIVE HDLC DS0 CONTROL REGISTER 2 FRAMER A****(Address = 91 Hex)****RDC2B: RECEIVE HDLC DS0 CONTROL REGISTER 2 FRAMER B****(Address = 95 Hex)**

<b>(MSB)</b>							<b>(LSB)</b>
RDB8	RDB7	RDB6	RDB5	RDB4	RDB3	RDB2	RDB1

SYMBOL	POSITION	NAME AND DESCRIPTION
RDB8	RDC2.7	<b>DS0 Bit 8 Suppress Enable.</b> MSB of the DS0. Set to 1 to stop this bit from being used.
RDB7	RDC2.6	<b>DS0 Bit 7 Suppress Enable.</b> Set to 1 to stop this bit from being used.
RDB6	RDC2.5	<b>DS0 Bit 6 Suppress Enable.</b> Set to 1 to stop this bit from being used.
RDB5	RDC2.4	<b>DS0 Bit 5 Suppress Enable.</b> Set to 1 to stop this bit from being used.
RDB4	RDC2.3	<b>DS0 Bit 4 Suppress Enable.</b> Set to 1 to stop this bit from being used.
RDB3	RDC2.2	<b>DS0 Bit 3 Suppress Enable.</b> Set to 1 to stop this bit from being used.
RDB2	RDC2.1	<b>DS0 Bit 2 Suppress Enable.</b> Set to 1 to stop this bit from being used.
RDB1	RDC2.0	<b>DS0 Bit 1 Suppress Enable.</b> LSB of the DS0. Set to 1 to stop this bit from being used.

**TDC1A: TRANSMIT HDLC DS0 CONTROL REGISTER 1 FRAMER A****(Address = 92 Hex)****TDC1B: TRANSMIT HDLC DS0 CONTROL REGISTER 1 FRAMER B****(Address = 96 Hex)**

<b>(MSB)</b>								<b>(LSB)</b>
TDS0E	-	TDS0M	TD4	TD3	TD2	TD1	TD0	

SYMBOL	POSITION	NAME AND DESCRIPTION
TDS0E	TDC1.7	<b>HDLC DS0 Enable.</b> 0 = use transmit HDLC controller for the FDL. 1 = use transmit HDLC controller for 1 or more DS0 channels.
-	TDC1.6	<b>Not Assigned.</b> Should be set to 0.
TDS0M	TDC1.5	<b>DS0 Selection Mode.</b> 0 = utilize the TD0 to TD4 bits to select which single DS0 channel to use. 1 = utilize the TCHBLK control registers to select which DS0 channels to use.
TD4	TDC1.4	<b>DS0 Channel Select Bit 4.</b> MSB of the DS0 channel select.
TD3	TDC1.3	<b>DS0 Channel Select Bit 3.</b>
TD2	TDC1.2	<b>DS0 Channel Select Bit 2.</b>
TD1	TDC1.1	<b>DS0 Channel Select Bit 1.</b>
TD0	TDC1.0	<b>DS0 Channel Select Bit 0.</b> LSB of the DS0 channel select.

**TDC2A: TRANSMIT HDLC DS0 CONTROL REGISTER 2 FRAMER A****(Address = 93 Hex)****TDC2B: TRANSMIT HDLC DS0 CONTROL REGISTER 2 FRAMER B****(Address = 97 Hex)**

<b>(MSB)</b>				<b>(LSB)</b>			
TDB8	TDB7	TDB6	TDB5	TDB4	TDB3	TDB2	TDB1

SYMBOL	POSITION	NAME AND DESCRIPTION
TDB8	TDC2.7	<b>DS0 Bit 8 Suppress Enable.</b> MSB of the DS0. Set to 1 to stop this bit from being used.
TDB7	TDC2.6	<b>DS0 Bit 7 Suppress Enable.</b> Set to 1 to stop this bit from being used.
TDB6	TDC2.5	<b>DS0 Bit 6 Suppress Enable.</b> Set to 1 to stop this bit from being used.
TDB5	TDC2.4	<b>DS0 Bit 5 Suppress Enable.</b> Set to 1 to stop this bit from being used.
TDB4	TDC2.3	<b>DS0 Bit 4 Suppress Enable.</b> Set to 1 to stop this bit from being used.
TDB3	TDC2.2	<b>DS0 Bit 3 Suppress Enable.</b> Set to 1 to stop this bit from being used.
TDB2	TDC2.1	<b>DS0 Bit 2 Suppress Enable.</b> Set to 1 to stop this bit from being used.
TDB1	TDC2.0	<b>DS0 Bit 1 Suppress Enable.</b> LSB of the DS0. Set to 1 to stop this bit from being used.

**18.2 LEGACY FDL SUPPORT****18.2.1 Overview**

The DS2196 maintains the circuitry that existed in the previous generation of Dallas Semiconductor's single chip transceivers and quad framers. Section 18.2 covers the circuitry and operation of this legacy functionality. In new applications, it is recommended that the HDLC controller and BOC controller described in Section 18.1 be used. On the receive side, it is possible to have both the new HDLC/BOC controller and the legacy hardware working at the same time. However this is not possible on the transmit side since there can be only one source the of the FDL data internal to the device.

**18.2.2 Receive Section**

In the receive section, the recovered FDL bits or Fs bits are shifted bit-by-bit into the Receive FDL register (RFDL). Since the RFDL is 8 bits in length, it will fill up every 2 ms (8 times 250 us). The framer will signal an external microcontroller that the buffer has filled via the SR2.4 bit. If enabled via IMR2.4, the INT pin will toggle low indicating that the buffer has filled and needs to be read. The user has 2 ms to read this data before it is lost. If the byte in the RFDL matches either of the bytes programmed into the RMTCH1 or RMTCH2 registers, then the SR2.2 bit will be set to a 1 and the INT pin will toggled low if enabled via IMR2.2. This feature allows an external microcontroller to ignore the FDL or Fs pattern until an important event occurs.

The framer also contains a zero destuffer, which is controlled via the CCR2.0 bit. In both ANSI T1.403 and TR54016, communications on the FDL follows a subset of a LAPD protocol. The LAPD protocol states that no more than five 1's should be transmitted in a row so that the data does not resemble an

opening or closing flag (01111110) or an abort signal (11111111). If enabled via CCR2.0, the DS2196 will automatically look for five 1's in a row, followed by a 0. If it finds such a pattern, it will automatically remove the zero. If the zero destuffer sees six or more 1's in a row followed by a 0, the 0 is not removed. The CCR2.0 bit should always be set to a 1 when the DS2196 is extracting the FDL. More on how to use the DS2196 in FDL applications in this legacy support mode is covered in a separate Application Note.

### **RFDLA: RECEIVE FDL REGISTER from FRAMER A (Address = 28 Hex)**

### **RFDLB: RECEIVE FDL REGISTER from FRAMER B (Address = C8 Hex)**

<b>(MSB)</b>						<b>(LSB)</b>	
RFDL7	RFDL6	RFDL5	RFDL4	RFDL3	RFDL2	RFDL1	RFDL0

<b>SYMBOL</b>	<b>POSITION</b>	<b>NAME AND DESCRIPTION</b>
RFDL7	RFDL.7	MSB of the Received FDL Code
RFDL0	RFDL.0	LSB of the Received FDL Code

The Receive FDL Register (RFDL) reports the incoming Facility Data Link (FDL) or the incoming Fs bits. The LSB is received first.

### **RMTCH1A: RECEIVE FDL MATCH REGISTER 1 FRAMER A (Address = 29 Hex)**

### **RMTCH2A: RECEIVE FDL MATCH REGISTER 2 FRAMER A (Address = 2A Hex)**

### **RMTCH1B: RECEIVE FDL MATCH REGISTER 1 FRAMER B (Address = C9 Hex)**

### **RMTCH2B: RECEIVE FDL MATCH REGISTER 2 FRAMER B (Address = CA Hex)**

<b>(MSB)</b>						<b>(LSB)</b>	
RMFDL7	RMFDL6	RMFDL5	RMFDL4	RMFDL3	RMFDL2	RMFDL1	RMFDL0

<b>SYMBOL</b>	<b>POSITION</b>	<b>NAME AND DESCRIPTION</b>
RMFDL7	RMTCH1A.7	MSB of the FDL Match Code
	RMTCH2A.7	
	RMTCH1B.7	
	RMTCH2B.7	
RMFDL0	RMTCH1A.0	LSB of the FDL Match Code
	RMTCH2A.0	
	RMTCH1B.0	
	RMTCH2B.0	

When the byte in the Receive FDL Register matches either of the two Receive Match Registers (RMTCH1/RMTCH2), SR2.2 will be set to a 1 and the INT will go active if enabled via IMR2.2.

### **18.2.3 Transmit Section**

The transmit section will shift out into the T1 data stream, either the FDL (in the ESF framing mode) or the Fs bits (in the D4 framing mode) contained in the Transmit FDL register (TFDL). When a new value

is written to the TFDL, it will be multiplexed serially (LSB first) into the proper position in the outgoing T1 data stream. After the full 8 bits has been shifted out, the framer will signal the host microcontroller that the buffer is empty and that more data is needed by setting the SR2.3 bit to a 1. The INT will also toggle low if enabled via IMR2.3. The user has 2 ms to update the TFDL with a new value. If the TFDL is not updated, the old value in the TFDL will be transmitted once again. The framer also contains a zero stuffer, which is controlled via the CCR2.4 bit. In both ANSI T1.403 and TR54016, communications on the FDL follows a subset of a LAPD protocol. The LAPD protocol states that no more than five 1's should be transmitted in a row so that the data does not resemble an opening or closing flag (01111110) or an abort signal (11111111). If enabled via CCR2.4, the framer will automatically look for five 1's in a row. If it finds such a pattern, it will automatically insert a 0 after the five 1's. The CCR2.0 bit should always be set to a 1 when the framer is inserting the FDL. More on how to use the DS2196 in FDL applications is covered in a separate Application Note.

### **TFDLA: TRANSMIT FDL REGISTER for FORMATTER A (Address = 7E Hex)**

### **TFDLB: TRANSMIT FDL REGISTER for FORMATTER B (Address = FE Hex)**

[Also used to insert Fs framing pattern in D4 framing mode; see Section 18.3]

<b>(MSB)</b>							<b>(LSB)</b>
TFDL7	TFDL6	TFDL5	TFDL4	TFDL3	TFDL2	TFDL1	TFDL0

<b>SYMBOL</b>	<b>POSITION</b>	<b>NAME AND DESCRIPTION</b>
TFDL7	TFDL.7	MSB of the FDL code to be transmitted
TFDL0	TFDL.0	LSB of the FDL code to be transmitted

The Transmit FDL Register (TFDL) contains the Facility Data Link (FDL) information that is to be inserted on a byte basis into the outgoing T1 data stream. The LSB is transmitted first.

## **18.3 D4/SLC-96 OPERATION**

In the D4 framing mode, the framer uses the TFDL register to insert the Fs framing pattern. To allow the device to properly insert the Fs framing pattern, the TFDL register at address 7Eh must be programmed to 1Ch and the following bits must be programmed as shown: TCR1.2=0 (source Fs data from the TFDL register) CCR2.5=1 (allow the TFDL register to load on multiframe boundaries)

Since the SLC-96 message fields share the Fs-bit position, the user can access the message fields via the TFDL and RFDL registers. Please see the separate Application Note for a detailed description of how to implement a SLC-96 function.

## 19. LINE INTERFACE FUNCTION

The line interface function in the DS2196 contains three sections; (1) the receiver which handles clock and data recovery, (2) the transmitter which wave shapes and drives the T1 line, and (3) the jitter attenuator. Each of these three sections is controlled by the Line Inter-face Control Register (LICR) which is described below.

### LICR: LINE INTERFACE CONTROL REGISTER FRAMER A

(Address = 7C Hex)

(MSB)				(LSB)			
LBOS2	LBOS1	LBOS0	EGL	JAS	JABDS	DJA	TPD

SYMBOL	POSITION	NAME AND DESCRIPTION
LBOS2	LICR.7	<b>Line Build Out Select Bit 2.</b> Sets the transmitter build out; see the Table 19–1
LBOS1	LICR.6	<b>Line Build Out Select Bit 1.</b> Sets the transmitter build out; see the Table 19–1
LBOS0	LICR.5	<b>Line Build Out Select Bit 0.</b> Sets the transmitter build out; see the Table 19–1
EGL	LICR.4	<b>Receive Equalizer Gain Limit.</b> 0 = –36 dB 1 = –15 dB
JAS	LICR.3	<b>Jitter Attenuator Select.</b> 0 = place the jitter attenuator on the receive side 1 = place the jitter attenuator on the transmit side
JABDS	LICR.2	<b>Jitter Attenuator Buffer Depth Select.</b> 0 = 128 bits 1 = 32 bits (use for delay sensitive applications)
DJA	LICR.1	<b>Disable Jitter Attenuator.</b> 0 = jitter attenuator enabled 1 = jitter attenuator disabled
TPD	LICR.0	<b>Transmit Power Down.</b> 0 = normal transmitter operation 1 = powers down the transmitter and 3-states the TTIP and TRING pins

### 19.1 RECEIVE CLOCK AND DATA RECOVERY

The DS2196 contains a digital clock recovery system. See the DS2196 Block Diagram in Section 1 and Figure 19–1 for more details. The DS2196 couples to the receive T1 twisted pair via a 1:1 transformer. See Table 19–2 for transformer details. The 1.544 MHz clock attached at the MCLK pin is internally multiplied by 16 via an internal PLL and fed to the clock recovery system. The clock recovery system uses the clock from the PLL circuit to form a 16 times over sampler, which is used to recover the clock and data. This over sampling technique offers outstanding jitter tolerance (see Figure 19–2).

Normally, the clock that is output at the RCLKLO pin is the recovered clock from the T1 AMI/B8ZS waveform presented at the RTIP and RRING inputs. When no AMI signal is present at RTIP and RRING, a Receive Carrier Loss (LRCL) condition will occur and the RCLKLO will be sourced from the clock applied at the MCLK pin. If the jitter attenuator is either placed in the transmit path or is disabled, the RCLKLO output can exhibit slightly shorter high cycles of the clock. This is due to the highly over sampled digital clock recovery circuitry. If the jitter attenuator is placed in the receive path (as is the case in most applications), the jitter attenuator restores the RCLK to being close to 50% duty cycle. Please see the Receive AC Timing Characteristics in Section 22 for more details.

## 19.2 TRANSMIT WAVESHAPING AND LINE DRIVING

The DS2196 uses a set of laser-trimmed delay lines along with a precision Digital-to-Analog Converter (DAC) to create the waveforms that are transmitted onto the T1 line. The waveforms created by the DS2196 meet the latest ANSI, AT&T, and ITU specifications. See Figure 19-3. The user will select which waveform is to be generated by properly programming the LBOS3/LBOS2/LBOS1/LBOS0 bits in the Line Interface Control Register (LICR). The DS2196 can set up in a number of various configurations depending on the application. See Table 19-1 and Figure 19-1.

Table 19-1: **LINE BUILD OUT SELECT IN LICR**

LBO S3	LBO S2	LBO S1	LBO S0	LINE BUILD OUT	APPLICATION
0	0	0	0	0 to 133 feet/	DSX-1/0dB CSU
0	0	0	1	133 feet to 266	DSX-1
0	0	1	0	266 feet to 399	DSX-1
0	0	1	1	399 feet to 533	DSX-1
0	1	0	0	533 feet to 655	DSX-1
0	1	0	1	-7.5 dB	CSU
0	1	1	0	-15 dB	CSU
0	1	1	1	-22.5 dB	CSU
1	0	0	0	Square Wave Output	Custom Wave shape
1	0	0	1	Open Drain Output Driver Enable	Custom Wave shape

### NOTE:

LBOS3 is located at CCR7A.0.

Due to the nature of the design of the transmitter in the DS2196, very little jitter (less than 0.005 UIpp broadband from 10 Hz to 100 kHz) is added to the jitter present on TCLKLI. Also, the waveforms that they create are independent of the duty cycle of TCLKLI. The transmitter in the DS2196 couples to the T1 transmit twisted pair via a 1:2 step up transformer for the as shown in Figure 19-1. In order for the devices to create the proper waveforms, this transformer used must meet the specifications listed in Table 19-2.

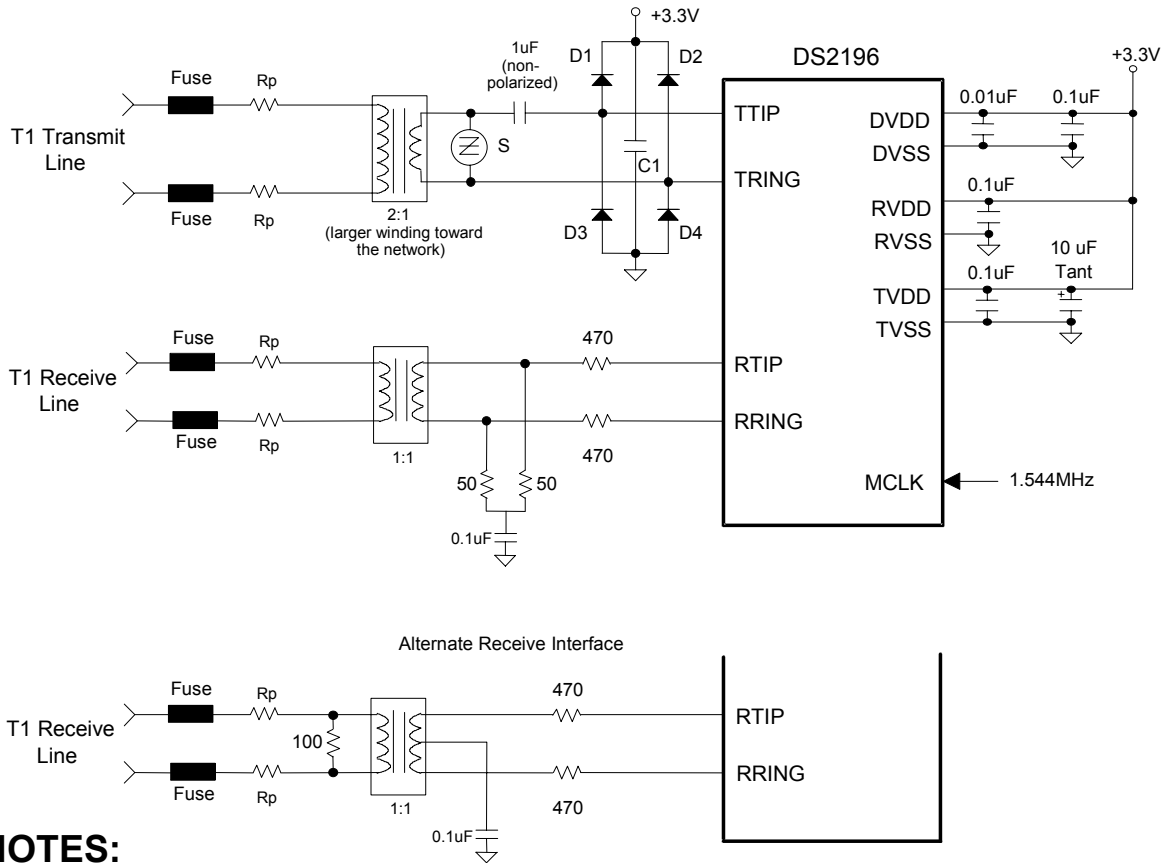
Table 19-2: TRANSFORMER SPECIFICATIONS

SPECIFICATION	RECOMMENDED VALUE
Turns Ratio	1:1(receive) and 1:2(transmit) 5%
Primary Inductance	600 $\mu$ H minimum
Leakage Inductance	1.0 $\mu$ H maximum
Intertwining Capacitance	40 pF maximum
Transmit Transformer DC Resistance Primary (Device side) Secondary	1.0 $\Omega$ maximum 2.0 $\Omega$ maximum
Receive Transformer DC Resistance Primary (Device side) Secondary	1.2 $\Omega$ maximum 1.2 $\Omega$ maximum

### 19.3 JITTER ATTENUATOR

The DS2196 contains an onboard jitter attenuator that can be set to a depth of either 32 or 128 bits via the JABDS bit in the Line Interface Control Register (LICR). The 128-bit mode is used in applications where large excursions of wander are expected. The 32-bit mode is used in delay sensitive applications. The characteristics of the attenuation are shown in Figure 19–4. The jitter attenuator can be placed in either the receive path or the transmit path by appropriately setting or clearing the JAS bit in the LICR. Also, the jitter attenuator can be disabled (in effect, removed) by setting the DJA bit in the LICR. In order for the jitter attenuator to operate properly, a 1.544 MHz clock (50 ppm) must be applied at the MCLK pin. Onboard circuitry adjusts either the recovered clock from the clock/data recovery block or the clock applied at the TCLKLI pin to create a smooth jitter free clock which is used to clock data out of the jitter attenuator FIFO. It is acceptable to provide a gapped/ bursty clock at the TCLKLI pin if the jitter attenuator is placed on the transmit side. If the incoming jitter exceeds either 120 UIpp (buffer depth is 128 bits) or 28 UIpp (buffer depth is 32 bits), then the DS2196 will divide the internal nominal 24.704 MHz clock by either 15 or 17 instead of the normal 16 to keep the buffer from overflowing. When the device divides by either 15 or 17, it also sets the Jitter Attenuator Limit Trip (JALT) bit in the Receive Information Register (RIR3.5)

Figure 19-1: EXTERNAL ANALOG CONNECTIONS

**NOTES:**

1. Resistor values are 1%.
2. Circuit requires use of Schottky diodes for D1-D4.
3. S is a 6V transient suppresser.
4. C1 is 0.1 uF.
5. The  $R_p$  resistors are used to prevent the fuses from opening during a surge.
6. See the Separate Application Note for details on how to construct a protected interface.
7. MCLK requires a TTL level 1.544 MHz clock ( $\pm 50$  ppm) for proper device operation.

Figure 19-2: JITTER TOLERANCE

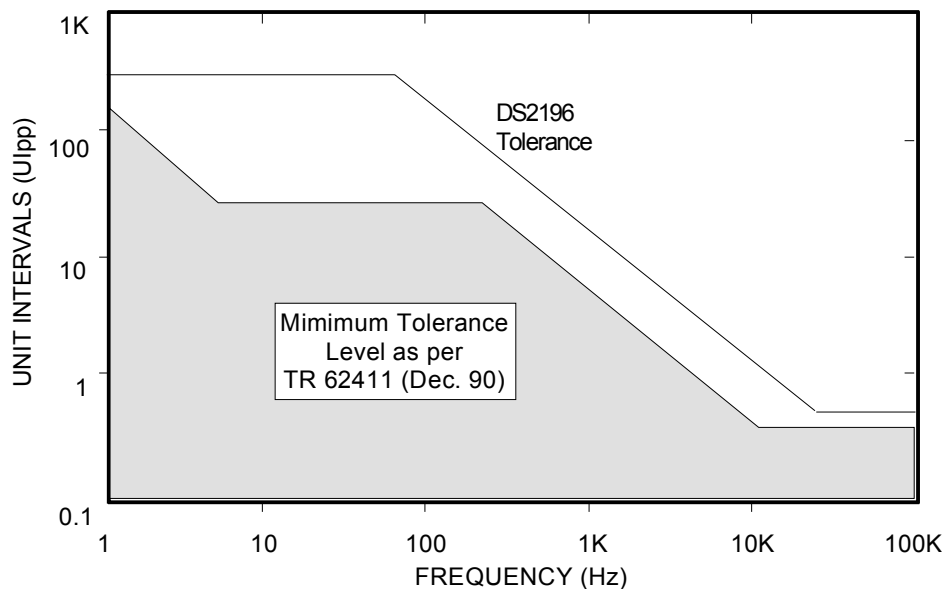


Figure 19-3: TRANSMIT WAVEFORM TEMPLATE

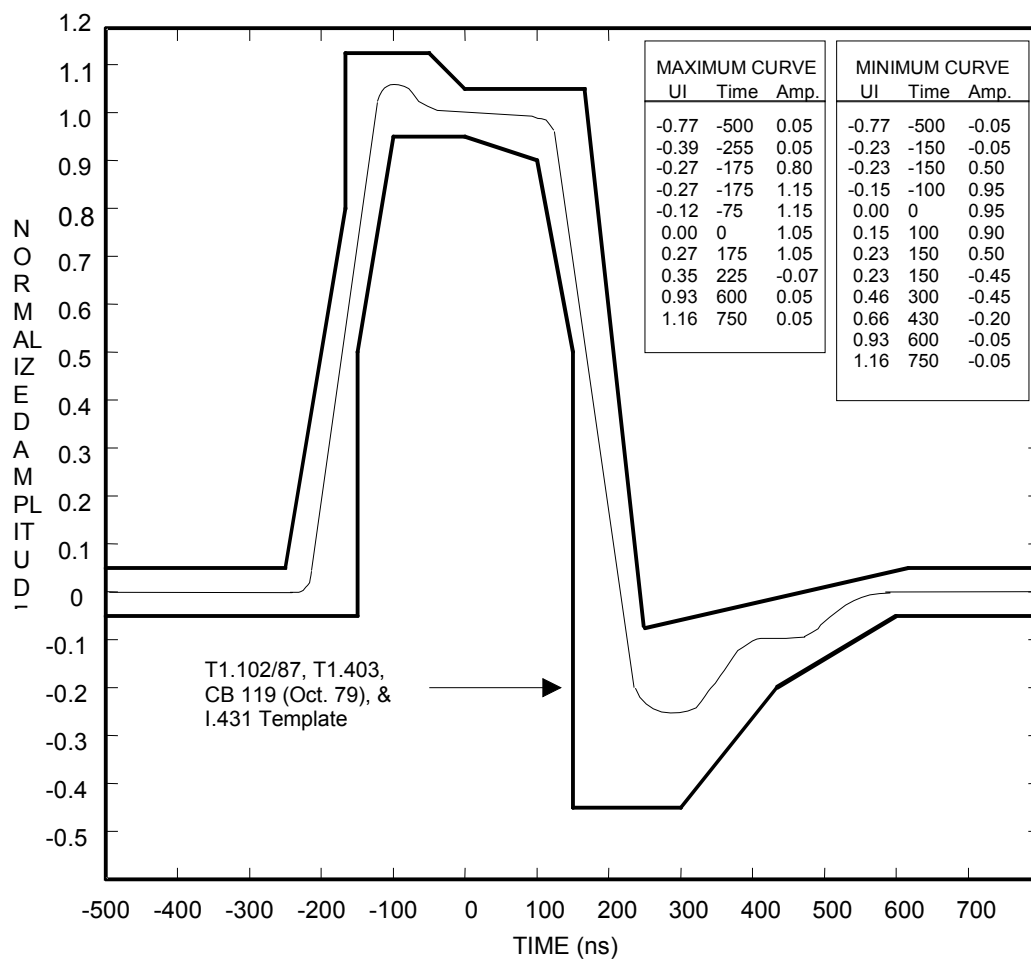
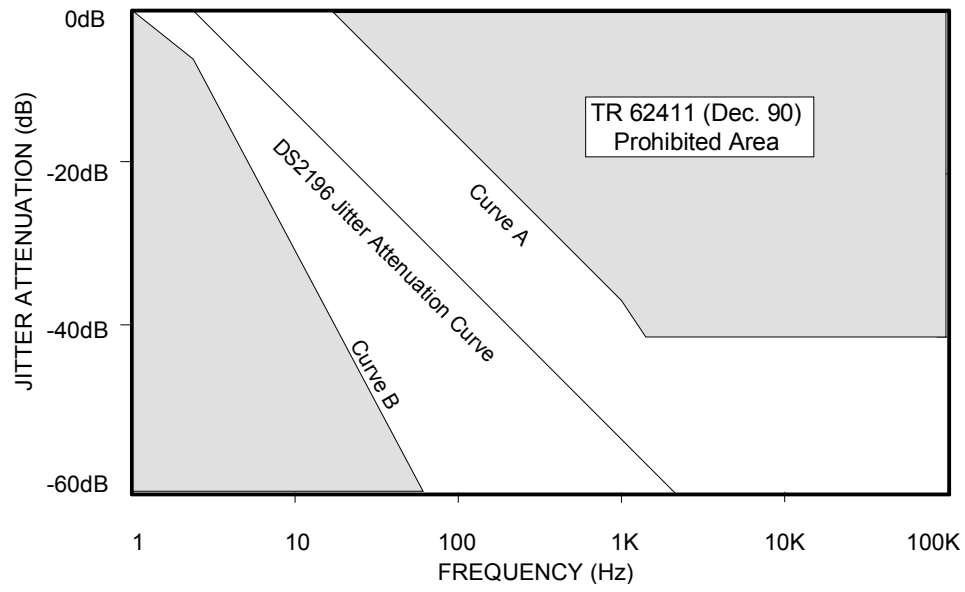


Figure 19-4: JITTER ATTENUATION



## 20. JTAG-BOUNDARY SCAN ARCHITECTURE AND TEST ACCESS PORT

### 20.1 DESCRIPTION

The DS2196 IEEE 1149.1 design supports the standard instruction codes SAMPLE/PRELOAD, BYPASS, and EXTEST. Optional public instructions included with this design are HIGHZ, CLAMP, and IDCODE. See Figure 20-1 for a block diagram. The DS2196 contains the following items, which meet the requirements, set by the IEEE 1149.1 Standard Test Access Port and Boundary Scan Architecture.

Test Access Port (TAP)

TAP Controller

Instruction Register

Bypass Register

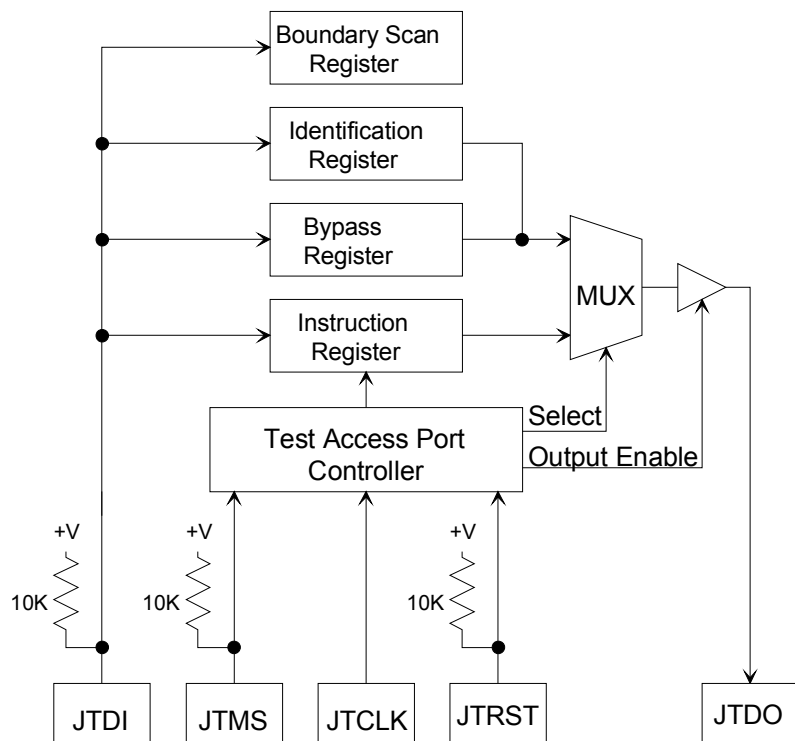
Boundary Scan Register

Device Identification Register

Details on Boundary Scan Architecture and the Test Access Port can be found in IEEE 1149.1-1990, IEEE 1149.1a-1993, and IEEE 1149.1b-1994.

The Test Access Port has the necessary interface pins; JTRST, JTCLK, JTMS, JTDI, and JTDO. See the pin descriptions for details.

Figure 20-1: **BOUNDARY SCAN ARCHITECTURE**



---

## 20.2 TAP CONTROLLER STATE MACHINE

This section covers the details on the operation of the Test Access Port (TAP) Controller State Machine. Please see Figure 20.2 for details on each of the states described below.

### TAP Controller

The TAP controller is a finite state machine that responds to the logic level at JTMS on the rising edge of JTCLK.

### Test-Logic-Reset

Upon power up of the DS2196, the TAP Controller will be in the Test-Logic-Reset state. The Instruction register will contain the IDCODE instruction. All system logic of the DS2196 will operate normally.

### Run-Test-Idle

The Run-Test-Idle is used between scan operations or during specific tests. The Instruction register and Test registers will remain idle.

### Select-DR-Scan

All test registers retain their previous state. With JTMS low, a rising edge of JTCLK moves the controller into the Capture-DR state and will initiate a scan sequence. JTMS HIGH during a rising edge on JTCLK moves the controller to the Select-IR

### Capture-DR

Data may be parallel-loaded into the Test Data registers selected by the current instruction. If the instruction does not call for a parallel load or the selected register does not allow parallel loads, the Test register will remain at its current value. On the rising edge of JTCLK, the controller will go to the Shift-DR state if JTMS is low or it will go to the Exit1-DR state if JTMS is high.

### Shift-DR

The Test Data register selected by the current instruction will be connected between JTDI and JTDO and will shift data one stage towards its serial output on each rising edge of JTCLK. If a Test Register selected by the current instruction is not placed in the serial path, it will maintain its previous state.

### Exit1-DR

While in this state, a rising edge on JTCLK with JTMS high will put the controller in the Update-DR state, and terminate the scanning process. A rising edge on JTCLK with JTMS low will put the controller in the Pause-DR state.

### Pause-DR

Shifting of the test registers is halted while in this state. All Test registers selected by the current instruction will retain their previous state. The controller will remain in this state while JTMS is low. A rising edge on JTCLK with JTMS high will put the controller in the Exit2-DR state.

## Exit2-DR

While in this state, a rising edge on JTCLK with JTMS high will put the controller in the Update-DR state and terminate the scanning process. A rising edge on JTCLK with JTMS low will enter the Shift-DR state.

## Update-DR

A falling edge on JTCLK while in the Update-DR state will latch the data from the shift register path of the Test registers into the data output latches. This prevents changes at the parallel output due to changes in the shift register. A rising edge on JTCLK with JTMS low, will put the controller in the Run-Test-Idle state. With JTMS high, the controller will enter the Select-DR-Scan state.

## Select-IR-Scan

All test registers retain their previous state. The instruction register will remain unchanged during this state. With JTMS low, a rising edge of JTCLK moves the controller into the Capture-IR state and will initiate a scan sequence for the Instruction register. JTMS high during a rising edge on JTCLK puts the controller back into the Test-Logic-Reset state.

## Capture-IR

The Capture-IR state is used to load the shift register in the instruction register with a fixed value. This value is loaded on the rising edge of JTCLK. If JTMS is high on the rising edge of JTCLK, the controller will enter the Exit1-IR state. If JTMS is low on the rising edge of JTCLK, the controller will enter the Shift-IR state.

## Shift-IR

In this state, the shift register in the instruction register is connected between JTDI and JTDO and shifts data one stage for every rising edge of JTCLK towards the serial output. The parallel registers, as well as all Test registers remain at their previous states. A rising edge on JTCLK with JTMS high will move the controller to the Exit1-IR state. A rising edge on JTCLK with JTMS low will keep the controller in the Shift-IR state while moving data one stage through the instruction shift register.

## Exit1-IR

A rising edge on JTCLK with JTMS low will put the controller in the Pause-IR state. If JTMS is high on the rising edge of JTCLK, the controller will enter the Update-IR state and terminate the scanning process.

## Pause-IR

Shifting of the instruction shift register is halted temporarily. With JTMS high, a rising edge on JTCLK will put the controller in the Exit2-IR state. The controller will remain in the Pause-IR state if JTMS is low during a rising edge on JTCLK.

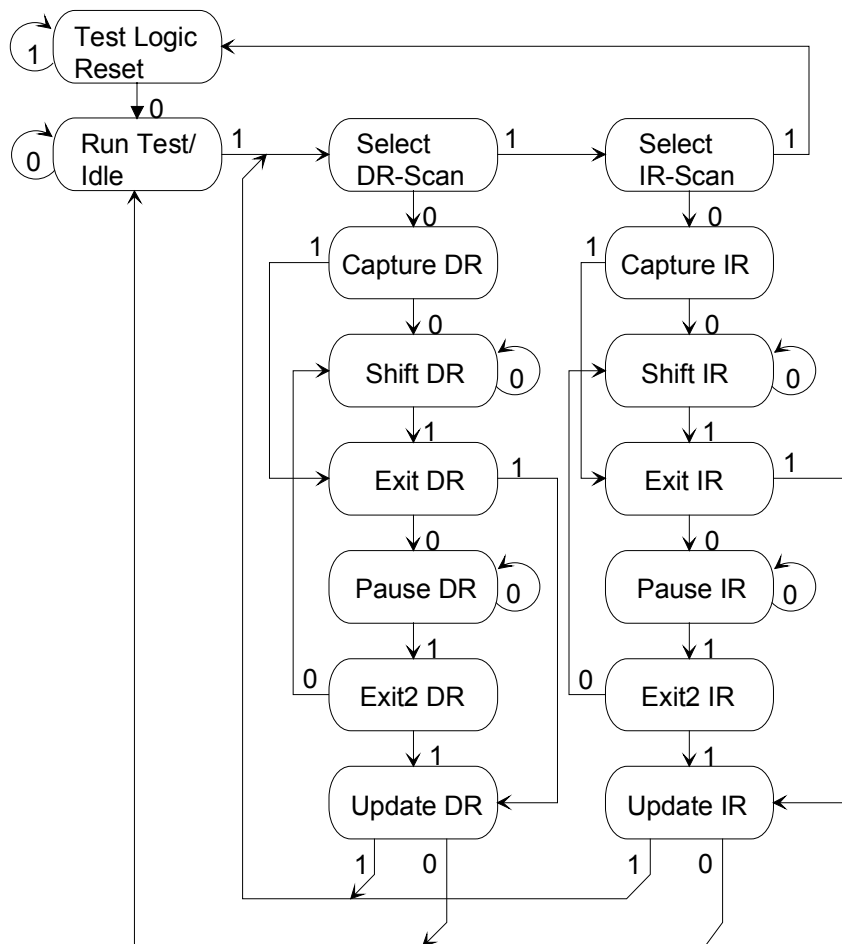
## Exit2-IR

A rising edge on JTCLK with JTMS low will put the controller in the Update-IR state. The controller will loop back to Shift-IR if JTMS is high during a rising edge of JTCLK in this state.

## Update-IR

The instruction code shifted into the instruction shift register is latched into the parallel output on the falling edge of JTCLK as the controller enters this state. Once latched, this instruction becomes the current instruction. A rising edge on JTCLK with JTMS low, will put the controller in the Run-Test-Idle state. With JTMS high, the controller will enter the Select-DR-Scan state.

Figure 20-2: TAP CONTROLLER STATE MACHINE



## 20.3 INSTRUCTION REGISTER AND INSTRUCTIONS

The instruction register contains a shift register as well as a latched parallel output and is 3 bits in length. When the TAP controller enters the Shift-IR state, the instruction shift register will be connected between JTDI and JTDO. While in the Shift-IR state, a rising edge on JTCLK with JTMS low will shift the data one stage towards the serial output at JTDO. A rising edge on JTCLK in the Exit1-IR state or the Exit2-IR state with JTMS high will move the controller to the Update-IR state. The falling edge of that same JTCLK will latch the data in the instruction shift register to the instruction parallel output. Instructions supported by the DS2196 with their respective operational binary codes are shown in Table 20-1.

**Table 20-1: Instruction Codes For The DS21352/552 IEEE 1149.1 Architecture**

Instruction	Selected Register	Instruction Codes
SAMPLE/PRELOAD	Boundary Scan	010
BYPASS	Bypass	111
EXTEST	Boundary Scan	000
CLAMP	Boundary Scan	011
HIGHZ	Boundary Scan	100
IDCODE	Device Identification	001

### **SAMPLE/PRELOAD**

A mandatory instruction for the IEEE 1149.1 specification. This instruction supports two functions. The digital I/Os of the DS2196 can be sampled at the boundary scan register without interfering with the normal operation of the device by using the Capture-DR state. SAMPLE/PRELOAD also allows the DS2196 to shift data into the boundary scan register via JTDI using the Shift-DR state.

### **EXTEST**

EXTEST allows testing of all interconnections to the DS2196. When the EXTEST instruction is latched in the instruction register, the following actions occur. Once enabled via the Update-IR state, the parallel outputs of all digital output pins will be driven. The boundary scan register will be connected between JTDI and JTDO. The Capture-DR will sample all digital inputs into the boundary scan register.

### **BYPASS**

When the BYPASS instruction is latched into the parallel instruction register, JTDI connects to JTDO through the 1-bit bypass test register. This allows data to pass from JTDI to JTDO not affecting the device's normal operation.

### **IDCODE**

When the IDCODE instruction is latched into the parallel instruction register, the Identification Test register is selected. The device identification code will be loaded into the Identification register on the rising edge of JTCLK following entry into the Capture-DR state. Shift-DR can be used to shift the identification code out serially via JTDO. During Test-Logic-Reset, the identification code is forced into the instruction register's parallel output. The ID code will always have a '1' in the LSB position. The next 11 bits identify the manufacturer's JEDEC number and number of continuation bytes followed by 16 bits for the device and 4 bits for the version. See Figure 20-3. Table 20-2 lists the device ID codes for the DS2196.

**Table 20-2: ID CODE STRUCTURE**

	MSB			LSB
<b>Contents</b>	Version (Contact Factory)	Device ID (See Table 20-3)	JEDEC "00010100001"	"1"
<b>Length</b>	4 bits	16 bits	11 bits	1 bit

Table 20-3: **DEVICE ID CODES**

<b>DEVICE</b>	<b>16-BIT NUMBER</b>
DS2196	0009 h

**HIGHZ**

All digital outputs of the DS2196 will be placed in a high impedance state. The BYPASS register will be connected between JTDI and JTDO.

**CLAMP**

All digital outputs of the DS2196 will output data from the boundary scan parallel output while connecting the bypass register between JTDI and JTDO. The outputs will not change during the CLAMP instruction.

**Test Registers**

IEEE 1149.1 requires a minimum of two test registers; the bypass register and the boundary scan register. An optional test register has been included with the DS2196 design. This test register is the identification register and is used in conjunction with the IDCODE instruction and the Test-Logic-Reset state of the TAP controller.

**Boundary Scan Register**

This register contains both a shift register path and a latched parallel output for all control cells and digital I/O cells and is 126 bits in length. Table 20-3 shows all of the cell bit locations and definitions.

**Bypass Register**

This is a single 1-bit shift register used in conjunction with the BYPASS, CLAMP, and HIGHZ instructions, which provides a short path between JTDI and JTDO.

**Identification Register**

The identification register contains a 32-bit shift register and a 32-bit latched parallel output. This register is selected during the IDCODE instruction and when the TAP controller is in the Test-Logic-Reset state.

Table 20-4: **BOUNDARY SCAN REGISTER DESCRIPTION**

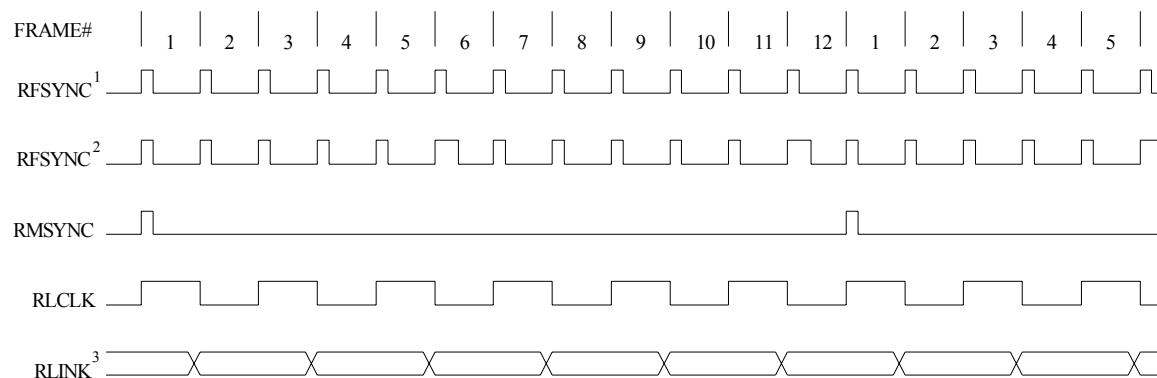
PIN	SCAN REGISTER BIT	SYMBOL	TYPE	CONTROL BIT DESCRIPTION
1	3	PCLK	I	
2	2	PNRZ	I	
3	1	WCLK	I	
4	0	WNRZ	I	
5	-	JTMS	I	
6	-	JTCLK	I	
7	-	JTRST*	I	
8	-	JTDI	I	
9	-	JTDO	O	
10	83	RCL	O	
11	82	LNKZ	O	
12	81	LCLK	O	
13	80	LFSYNC	O	
14	79	RPOSLO	O	
15	78	RNEGLO	O	
16	77	RCLKLO	O	
17	76	BTS	I	
18	-	RTIP	I	
19	-	RRING	I	
20	-	RVDD	-	
21	-	RVSS	-	
22	75	INT*	O	
23	-	RVSS	-	
24	-	MCLK	I	
25	74	UOP3	O	
26	73	UOP2	O	
27	72	UOP1	O	
28	71	UOP0	O	
29	-	TTIP	O	
30	-	TVSS	-	
31	-	TVDD	-	
32	-	TRING	O	
33	70	TPOSLO	I	
34	69	TNEGLI	I	
35	68	TCLKLI	I	
	67	TCHBLKB/ TLINKB CONTROL	-	0 = TLINKB an input 1 = TCHBLKB an output
36	66	TCHBLKB/ TLINKB	I/O	
37	65	TCHCLKB/ TLCLKB	O	

PIN	SCAN REGISTER BIT	SYMBOL	TYPE	CONTROL BIT DESCRIPTION
	64	TSYNCB CONTROL	-	0 = TSYNCB an input 1 = TSYNCB an output
38	63	TSYNCB	I/O	
39	62	TCLKB	I	
40	61	TSERB	I	
41	60	TPOSOB/ TNRZB	O	
42	59	TNEGOB / TFSYNCB	O	
43	58	TCLKOB	O	
44	-	DVSS	-	
45	-	DVDD	-	
46	57	TCLKOA	O	
47	56	TNEGOA / TFSYNCA	O	
48	55	TPOSOA / TNRZA	O	
49	54	TSERA	I	
50	53	TCLKA	I	
	52	TSYNCA CONTROL	-	0 = TSYNCA an input 1 = TSYNCA an output
51	51	TSYNCA	I/O	
52	50	TCHCLKA / TLCLKA	O	
	49	TCHBLKA / TLINKA CONTROL	-	0 = TLINKA an input 1 = TCHBLKA an output
53	48	TCHBLKA / TLINKA	I/O	
54	47	MUX	I	
	46	BUS CONTROL	-	0 = D0–D7/A0–A7 are inputs 1 = D0–D7/A0–A7 are outputs
55	45	D0 / AD0	I/O	
56	44	D1 / AD1	I/O	
57	43	D2 / AD2	I/O	
58	42	D3 / AD3	I/O	
59	41	D4 / AD4	I/O	
60	40	D5 / AD5	I/O	
61	39	D6 / AD6	I/O	
62	38	D7 / AD7	I/O	
63	-	DVSS	-	
64	-	DVDD	-	
65	37	A0	I	
66	36	A1	I	
67	35	A2	I	
68	34	A3	I	

PIN	SCAN REGISTER BIT	SYMBOL	TYPE	CONTROL BIT DESCRIPTION
69	33	A4	I	
70	32	A5	I	
71	31	A6	I	
72	30	A7 / ALE	I	
73	29	RD*(DS*)	I	
74	28	CS*	I	
75	27	WR*(R/W*)	I	
76	26	RCHBLKA / RLINKA	O	
77	25	RCHCLKA / RLCLKA	O	
78	24	RCLKIA	I	
79	23	RPOSIA	I	
80	22	RNEGIA	I	
81	21	RCLKA	O	
82	20	RSERA	O	
83	19	RMSYNCA	O	
84	18	RFSYNCA	O	
85	17	RLOSA/ LOTCA	O	
86	16	RBPVA	O	
87	-	DVSS	-	
88	-	DVDD	-	
89	15	RBPVB	O	
90	14	RLOSB/ LOTGB	O	
91	13	RFSYNCB	O	
92	12	RMSYNCB	O	
93	11	RSERB	O	
94	10	RCLKB	O	
95	9	RNEGIB	I	
96	8	RPOSIB	I	
97	7	RCLKIB	I	
98	6	RCHCLKB / RLCLKB	O	
99	5	RCHBLKB / RLINKB	O	
100	4	WPS	I	

## 21. TIMING DIAGRAMS

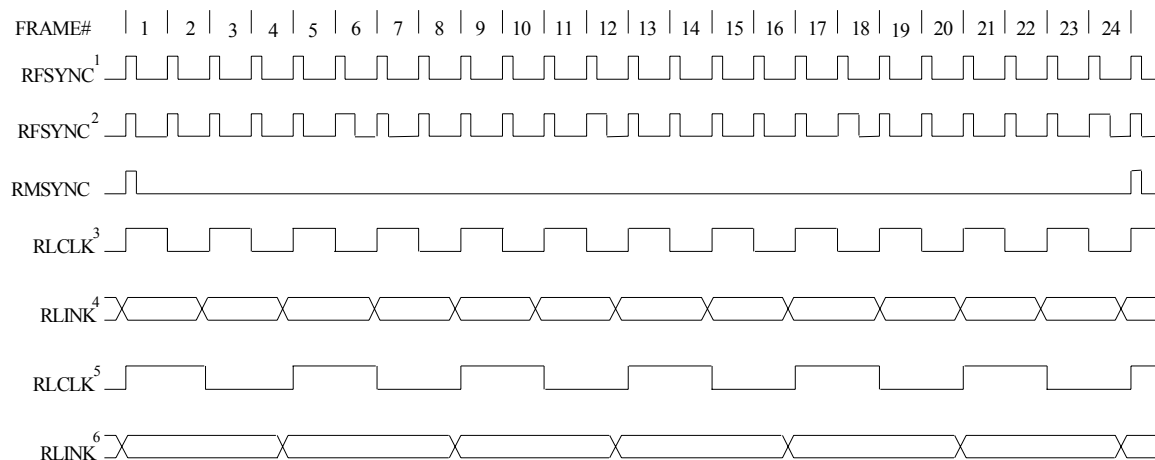
Figure 21-1: RECEIVE SIDE D4 TIMING



Notes:

1. RFSYNC double-wide frame sync is not enabled (RCR2.5 = 0)
2. RFSYNC double-wide frame sync is enabled (RCR2.5 = 1)
3. RLINK data (Fs - bits) is updated one bit prior to even frames and held for two frames

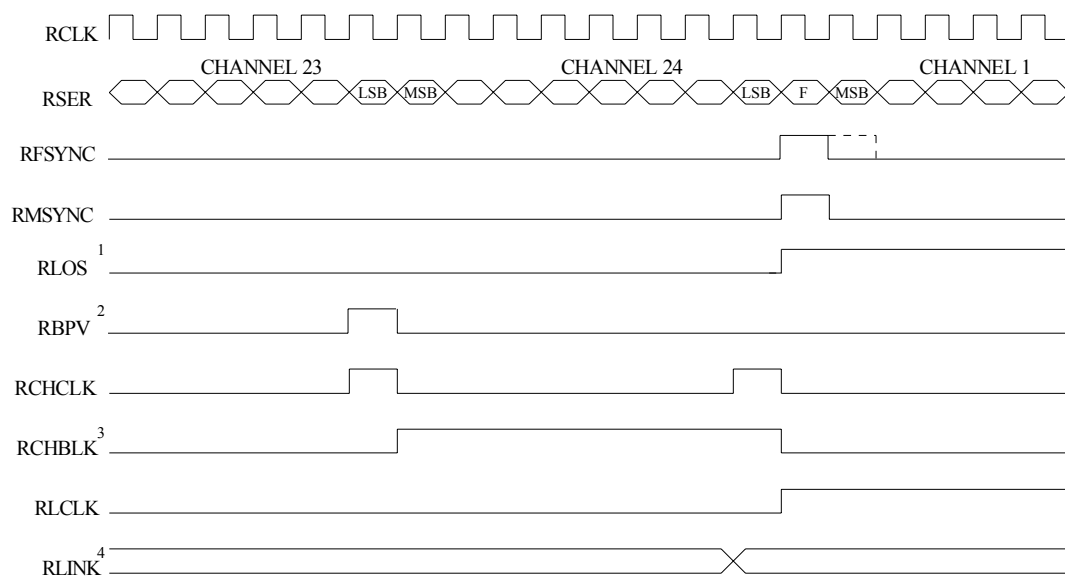
## Figure 21-2: RECEIVE SIDE ESF TIMING



### Notes:

1. RFSYNC double-wide frame sync is not enabled (RCR2.5 = 0)
2. RFSYNC double-wide frame sync is enabled (RCR2.5 = 1)
3. ZBTSI mode disabled (RCR2.6 = 0)
4. RLINK data (FDL bits) is updated one bit time before odd frames and held for two frames
5. ZBTSI mode is enabled (RCR2.6 = 1)
6. RLINK data (Z bits) is updated one bit time before odd frames and held for four frames

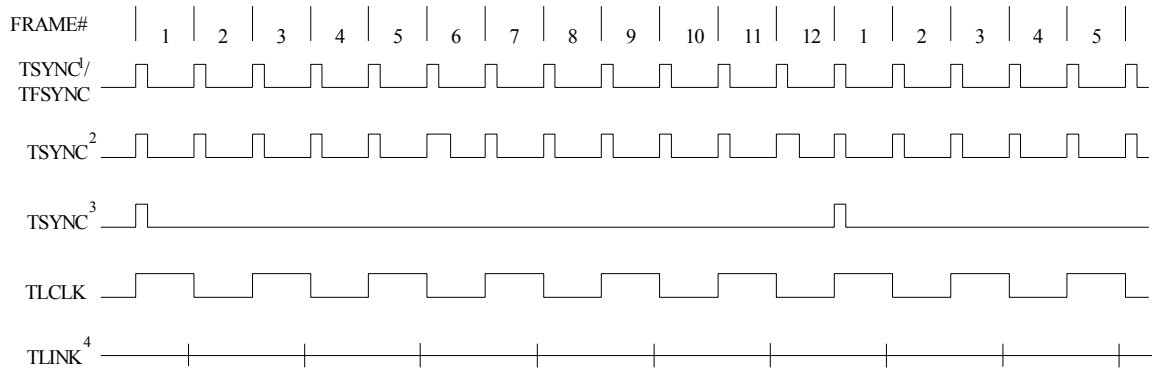
Figure 21-3: RECEIVE SIDE BOUNDARY TIMING



## Notes:

1. RLOS transitions high during the F-bit time that caused an OOF event or when loss of carrier is detected.
2. RBPV transitions high when the bit in error emerges from RSER. If B&ZS is enabled, RBPV will not report the zero replacement code.
3. RCHBLK is programmed to block channel 24.
4. Shown is RLINK/RLCLK in the ESF framing mode

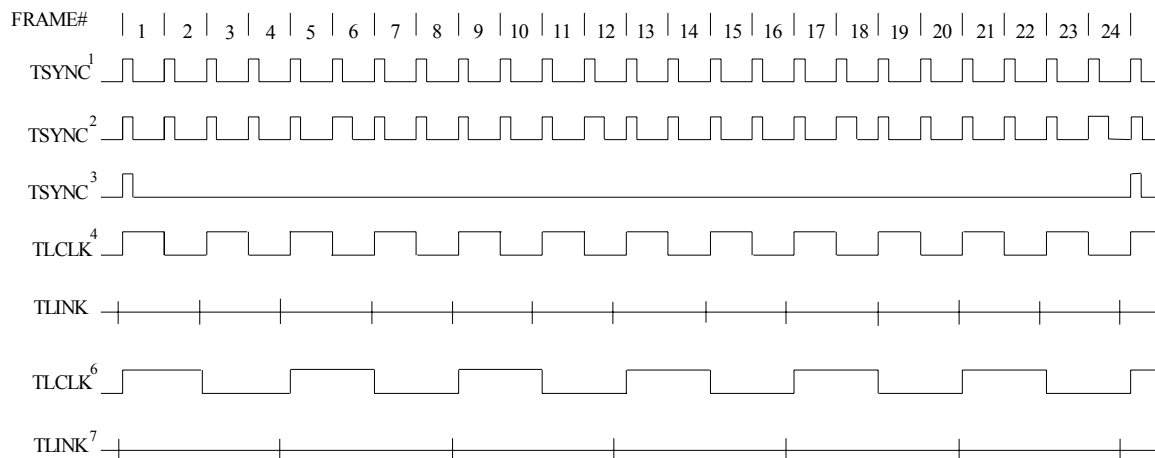
## Figure 21-4: TRANSMIT SIDE D4 TIMING



### Notes:

1. TSYNC in the frame mode (TCR2.3 = 0) and double-wide frame sync is not enabled (TCR2.4 = 0)
2. TSYNC in the frame mode (TCR2.3 = 0) and double-wide frame sync is enabled (TCR2.4 = 1)
3. TSYNC in the multiframe mode (TCR2.3 = 1)
4. TLINK data (Fs - bits) is sampled during the F-bit position of even frames for insertion into the outgoing T1 stream when enabled via TCR1.2

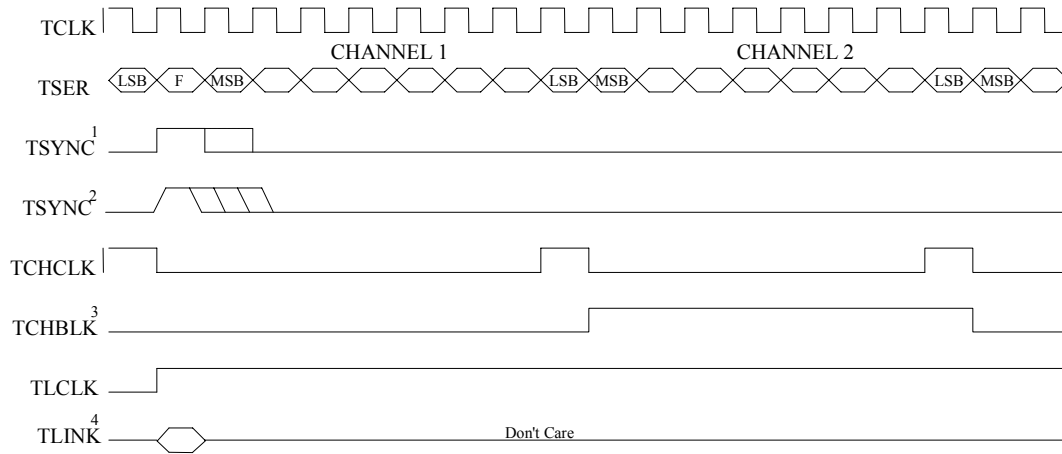
## Figure 21-5: TRANSMIT SIDE ESF TIMING



### Notes:

1. TSYNC in the frame mode (TCR2.3 = 0) and double-wide frame sync is not enabled (TCR2.4 = 0)
2. TSYNC in the frame mode (TCR2.3 = 0) and double-wide frame sync is enabled (TCR2.4 = 1)
3. TSYNC in the multiframe mode (TCR2.3 = 1)
4. ZBTISI mode disabled (TCR2.5 = 0)
5. TLINK data (FDL bits) is sampled during the F-bit time of odd frame and inserted into the outgoing T1 stream if enabled via TCR1.2
6. ZBTISI mode is enabled (TCR2.5 = 1)
7. TLINK data (Z bits) is sampled during the F-bit time of frames 1, 5, 9, 13, 17, and 21 and inserted into the outgoing stream if enabled via TCR1.2
8. TLINK and TLCLK are not synchronous with TFSYNC

## Figure 21-6: TRANSMIT SIDE BOUNDARY TIMING



Notes:

1. TSYNC is in the output mode (TCR2.2 = 1)
2. TSYNC is in the input mode (TCR2.2 = 0)
3. TCHBLK is programmed to block channel
4. Shown is TLINK/TLCLK in the ESF framing

Figure 21-7: TRANSMIT DATA FLOW

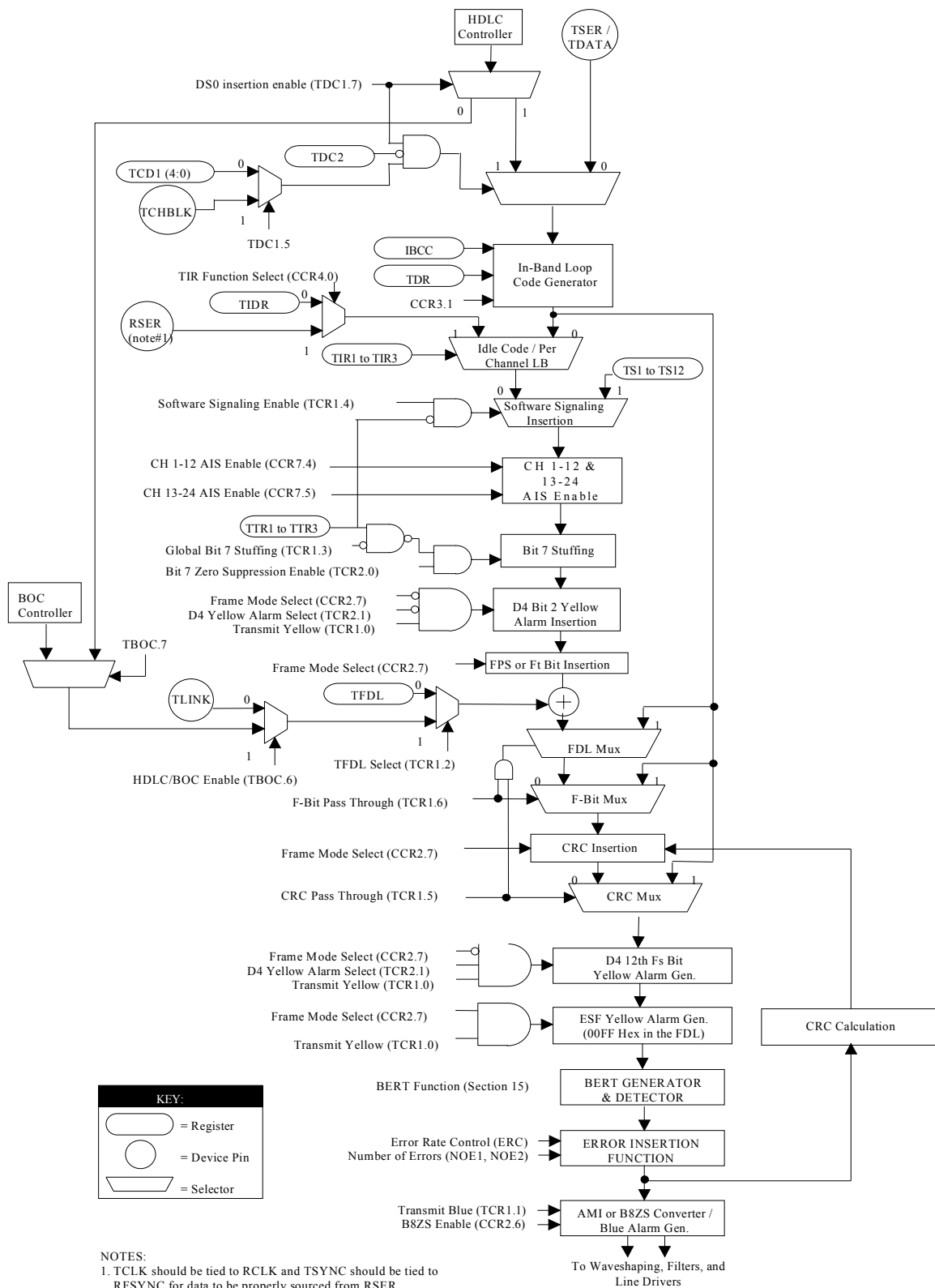
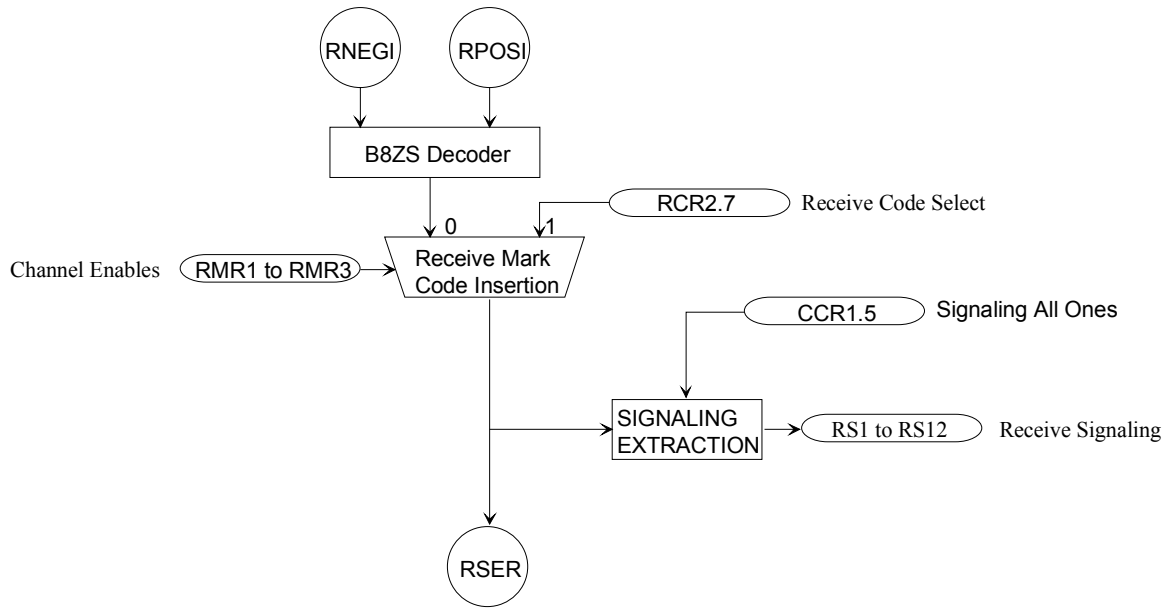


Figure 21-8: RECEIVE DATA FLOW



## 22. OPERATING PARAMETERS

### ABSOLUTE MAXIMUM RATINGS\*

Voltage on Any Lead with respect to VSS (except VDD)	-0.3V to +5.5V
Supply voltage (VDD) with Respect to VSS	-0.3V to +3.63V
Operating Temperature for DS2196L	0°C to +70°C
Operating Temperature for DS2196LN	-40°C to +85°C
Storage Temperature	-55°C to +125°C
Soldering Temperature	See J-STD-020A specification

\* This is a stress rating only and functional operation of the device at these or any other conditions above those indicated in the operation sections of this specification is not implied. Exposure to absolute maximum rating conditions for extended periods of time may affect reliability.

### RECOMMENDED DC OPERATING CONDITIONS

(0°C to +70°C for DS2196L)  
(-40°C to +85°C for DS2196LN)

PARAMETER	SYMBOL	MIN	TYP	MAX	UNITS	NOTES
Logic 1	V <sub>IH</sub>	2.0		5.5	V	
Logic 0	V <sub>IL</sub>	-0.3		+0.8	V	
Supply	V <sub>DD</sub>	3.135		3.465	V	1

### CAPACITANCE

(t<sub>A</sub> =25°C)

PARAMETER	SYMBOL	MIN	TYP	MAX	UNITS	NOTES
Input Capacitance	C <sub>IN</sub>		5		pF	
Output Capacitance	C <sub>OUT</sub>		7		pF	

### DC CHARACTERISTICS

(0°C to +70°C; V<sub>DD</sub> = 3.135 to 3.465V for DS2196L)  
(-40°C to +85°C; V<sub>DD</sub> = 3.135 to 3.465V for DS2196LN)

PARAMETER	SYMBOL	MIN	TYP	MAX	UNITS	NOTES
Supply Current @ 3.3V	I <sub>DD</sub>		85		mA	2
Input Leakage	I <sub>IL</sub>	-1.0		+1.0	μA	3
Output Leakage	I <sub>LO</sub>			10	μA	4
Output Current (2.4V)	I <sub>OH</sub>	-1.0			mA	
Output Current (0.4V)	I <sub>OL</sub>	+4.0			mA	

### NOTES:

1. Applies to RVDD, TVDD, and DVDD.
2. TCLK=RCLK=MCLK=1.544 MHz; TTIP & TRING loaded, other outputs open circuited.
3. 0.0V < V<sub>IN</sub> < V<sub>DD</sub>.
4. Applied to INT when 3-stated.

**AC CHARACTERISTICS – MULTIPLEXED PARALLEL PORT (MUX=1)**(0°C to +70°C;  $V_{DD} = 3.135$  to  $3.465V$  for DS2196L)(-40°C to +85°C;  $V_{DD} = 3.135$  to  $3.465V$  for DS2196LN)

PARAMETER	SYMBOL	MIN	TYP	MAX	UNITS	NOTES
Cycle Time	$t_{CYC}$	200			ns	
Pulse Width, DS low or RD* high	$p_{WEL}$	100			ns	
Pulse Width, DS high or RD* low	$p_{WEH}$	100			ns	
Input Rise/Fall times	$t_R, t_F$		20		ns	
R/W* Hold Time	$t_{RWH}$	10			ns	
R/W* Set Up time before DS high	$t_{RWS}$	50			ns	
CS* Set Up time before DS, WR* or RD* active	$t_{CS}$	20			ns	
CS* Hold time	$t_{CH}$	0			ns	
Read Data Hold time	$t_{DHR}$	10	50		ns	
Write Data Hold time	$t_{DHW}$	0			ns	
MUX'd Address valid to AS or ALE fall	$t_{ASL}$	15			ns	
Muxed Address Hold time	$t_{AHL}$	10			ns	
Delay time DS, WR* or RD* to AS or ALE rise	$t_{ASD}$	20			ns	
Pulse Width AS or ALE high	$p_{WASH}$	30			ns	
Delay time, AS or ALE to DS, WR* or RD*	$t_{ASED}$	10			ns	
Output Data Delay time from DS or RD*	$t_{DDR}$	20		150	ns	
Data Set Up time	$t_{DSW}$	50			ns	

(See Figures 22-1 to 22-3 for details)

**AC CHARACTERISTICS – NON-MULTIPLEXED PARALLEL PORT (MUX=0 )**(0°C to +70°C;  $V_{DD} = 3.135$  to  $3.465$ V for DS2196L)(-40°C to +85°C;  $V_{DD} = 3.135$  to  $3.465$ V for DS2196LN)

PARAMETER	SYMBOL	MIN	TYP	MAX	UNITS	NOTES
Set Up Time for A0 to A7 Valid to CS* Active	t <sub>1</sub>	0			ns	
Set Up Time for CS* Active to either RD*, WR*, or DS* Active	t <sub>2</sub>	0			ns	
Delay Time from either RD* or DS* Active to Data Valid	t <sub>3</sub>			150	ns	
Hold Time from either RD*, WR*, or DS* Inactive to CS* Inactive	t <sub>4</sub>	0			ns	
Hold Time from CS* Inactive to Data Bus 3-state	t <sub>5</sub>	5		20	ns	
Wait Time from either WR* or DS* Active to Latch Data	t <sub>6</sub>	75			ns	
Data Set Up Time to either WR* or DS* Inactive	t <sub>7</sub>	10			ns	
Data Hold Time from either WR* or DS* Inactive	t <sub>8</sub>	10			ns	
Address Hold from either WR* or DS* inactive	t <sub>9</sub>	10			ns	

See Figures 22–4 to 22–7 for details.

**AC CHARACTERISTICS – RECEIVE SIDE**

(0°C to +70°C;  $V_{DD} = 3.135$  to  $3.465V$  for DS2196L)  
 (-40°C to +85°C;  $V_{DD} = 3.135$  to  $3.465V$  for DS2196LN)

PARAMETER	SYMBOL	MIN	TYP	MAX	UNITS	NOTES
RCLKLO Period	$t_{LP}$		648		ns	
RCLKLO Pulse Width	$t_{LH}$	250	324		ns	1
	$t_{LL}$	250	324		ns	1
RCLKLO Pulse Width	$t_{LH}$	200	324		ns	2
	$t_{CL}$	200	324		ns	2
RCLKI Period	$t_{CP}$		648		ns	
RCLKI Pulse Width	$t_{CH}$	75			ns	
	$t_{CL}$	75			ns	
RPOSI/RNEGI Set UP to RCLKI Falling	$t_{SU}$	20			ns	
RPOSI/RNEGI Hold From RCLKI Falling	$t_{HD}$	20			ns	
RCLKI Rise and Fall Times	$t_R, t_F$			25	ns	
Delay RCLKLO to RPOSLO, RNEGLO Valid	$t_{DD}$			50	ns	
Delay RCLK to RSER, RLINK Valid	$t_{D1}$			50	ns	
Delay RCLK to RCHCLK, RFSYNC, RMSYNC, RCHBLK, RLCLK	$t_{D2}$			50	ns	
Delay WCLK/PCLK to WNRZ, PNRZ	$t_{D3}$			50	ns	

See Figures 22-8 to 22-9 for details.

**NOTES:**

1. Jitter attenuator enabled in the receive path.
2. Jitter attenuator disabled in the receive path.

**AC CHARACTERISTICS – TRANSMIT SIDE**(0°C to +70°C;  $V_{DD} = 3.135$  to  $3.465V$  for DS2196L)(-40°C to +85°C;  $V_{DD} = 3.135$  to  $3.465V$  for DS2196LN)

PARAMETER	SYMBOL	MIN	TYP	MAX	UNITS	NOTES
TCLK Period	$t_{CP}$		648		ns	
TCLK Pulse Width	$t_{CH}$	75			ns	
	$t_{CL}$	75			ns	
TCLKLI Period	$t_{LP}$		648		ns	
TCLKLI Pulse Width	$t_{LH}$	75			ns	
	$t_{LL}$	75			ns	
TSYNC Set Up to TCLK falling	$t_{SU}$	20		$t_{CH} -5$ or $t_{SH} -5$	ns	
TSYNC Pulse Width	$t_{PW}$	50			ns	
TSER, TLINK Set Up to TCLK Falling	$t_{SU}$	20			ns	
TPOS LI, TNEG LI Set Up to TCLK LI Falling	$t_{SU}$	20			ns	
TSER, TLINK Hold from TCLK Falling	$t_{HD}$	20			ns	
TPOS LI, TNEG LI Hold from TCLK LI Falling	$t_{HD}$	20			ns	
TCLK, TCLKI Rise and Fall Times	$t_R, t_F$			25	ns	
Delay TCLKO to TPOS O, TNEG O Valid	$t_{DD}$			50	ns	
Delay TCLK to TCHBLK, TCHBLK, TSYNC, TLCLK	$t_{D2}$			50	ns	

See Figures 22–10 to 22–11 for details.

Figure 22-1: INTEL BUS READ AC TIMING (BTS=0 / MUX = 1)

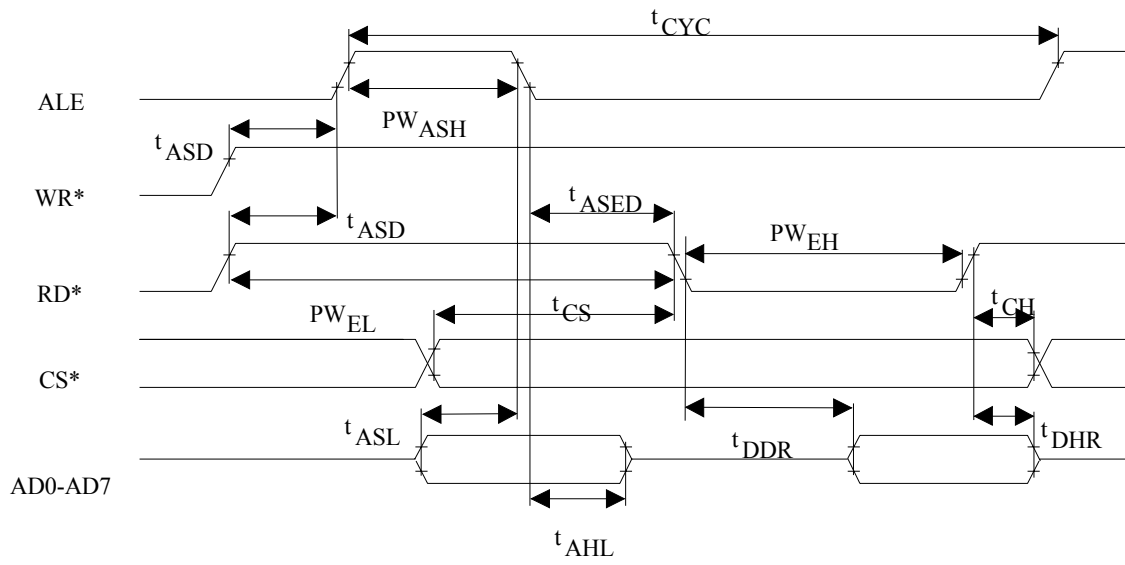


Figure 22-2: INTEL BUS WRITE TIMING (BTS=0 / MUX=1)

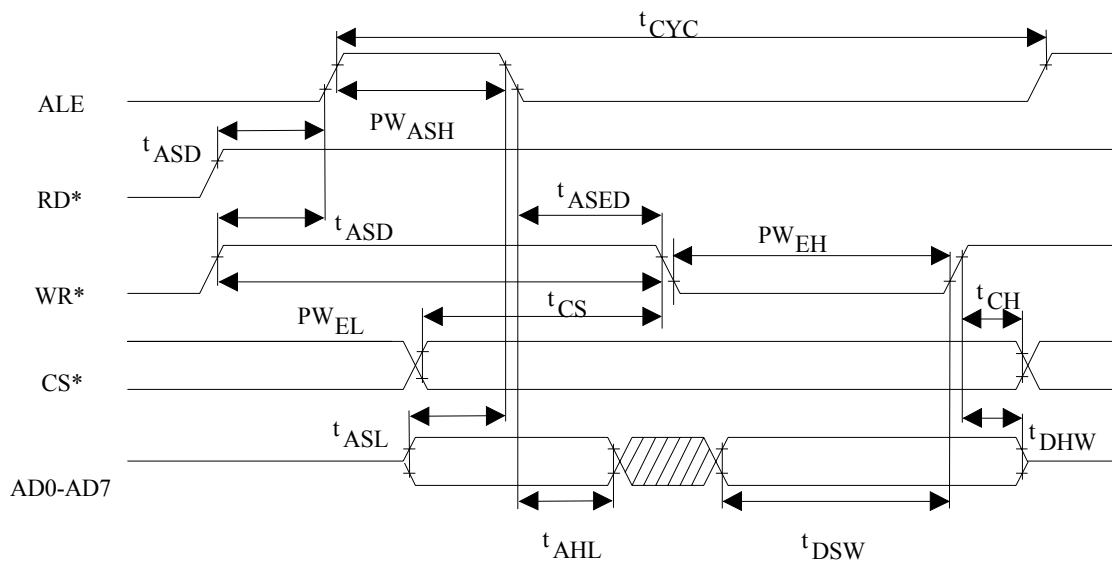


Figure 22-3: MOTOROLA BUS AC TIMING (BTS = 1 / MUX = 1)

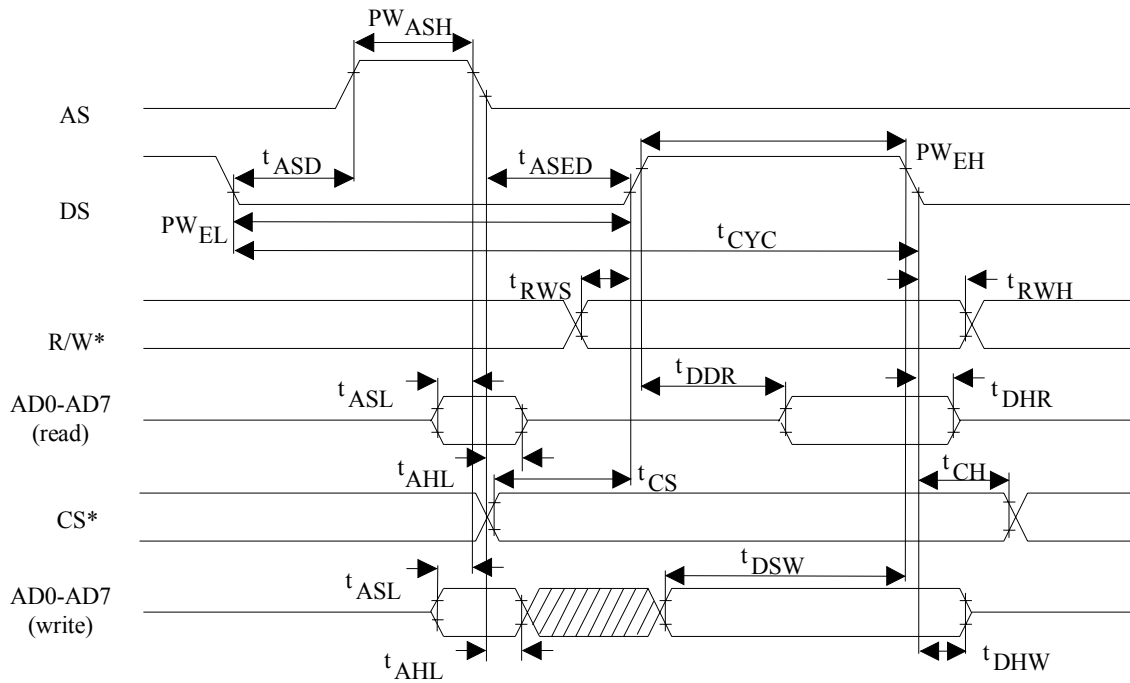
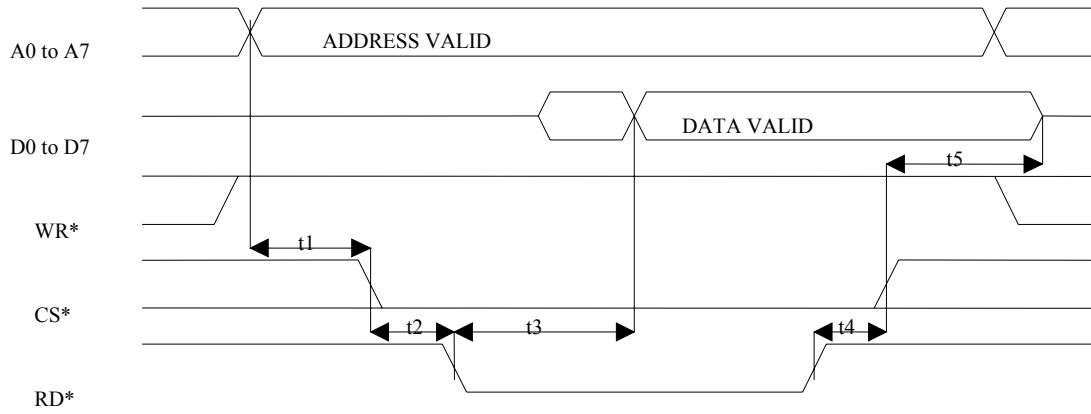
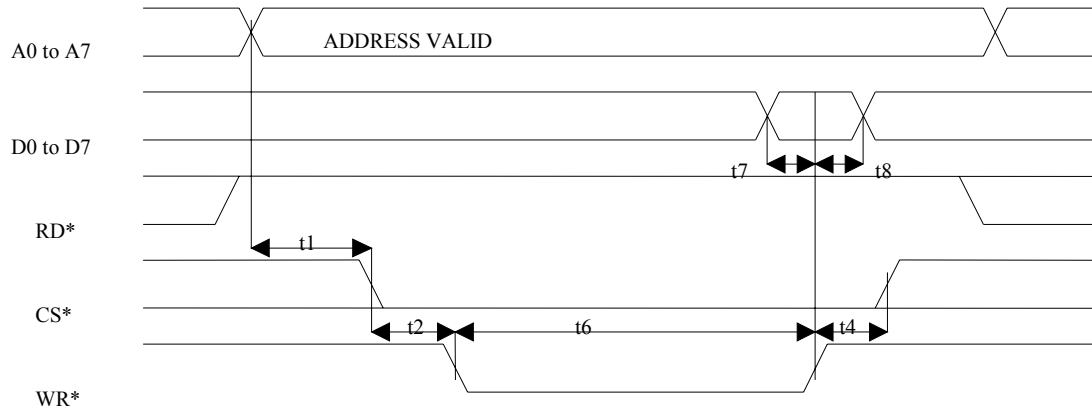
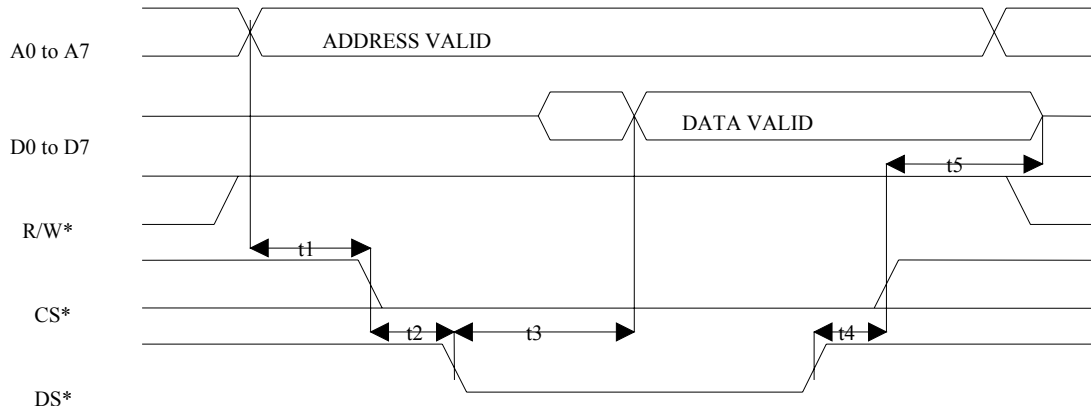


Figure 22-4: INTEL BUS READ AC TIMING (BTS=0 / MUX=0)



**Figure 22-5: INTEL BUS WRITE AC TIMING (BTS=0 / MUX=0)**

**Figure 22-6: MOTOROLA BUS READ AC TIMING (BTS=1 / MUX=0)**

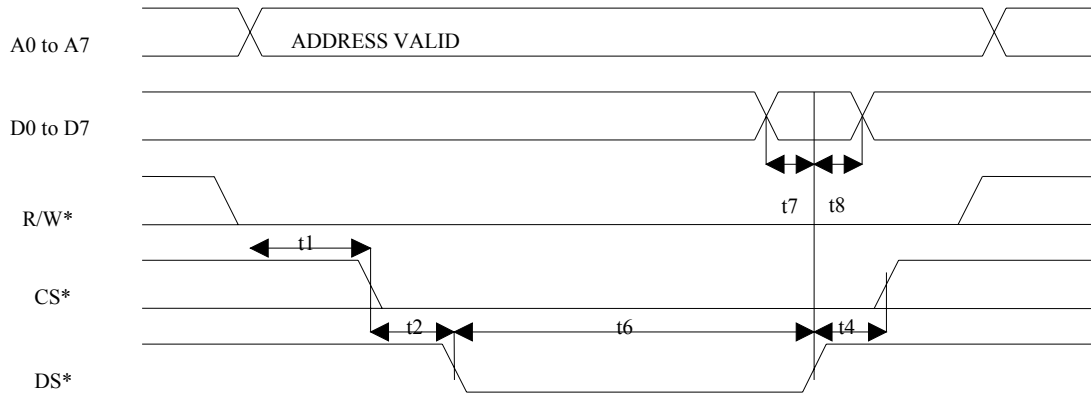
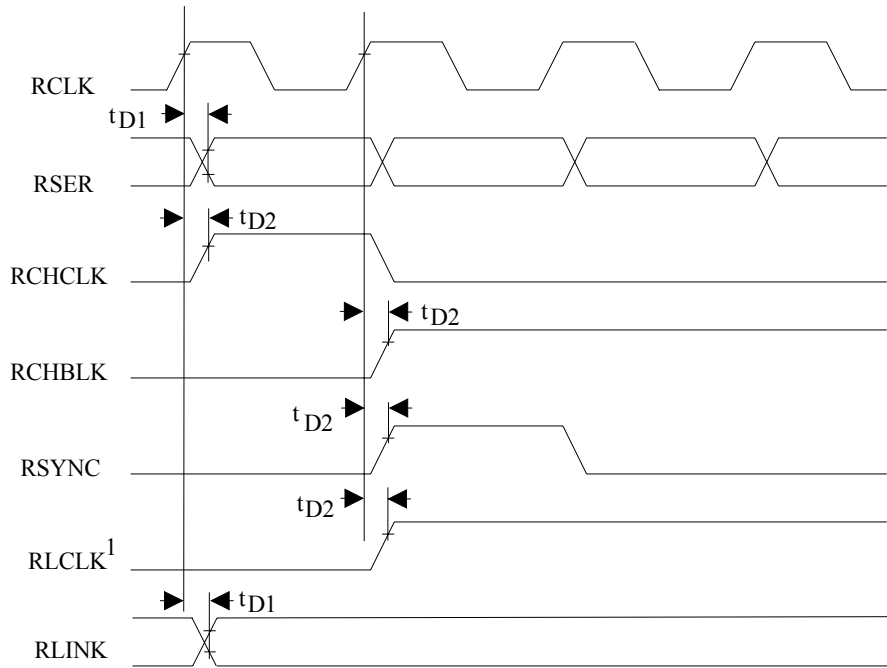
**Figure 22-7: MOTOROLA BUS WRITE AC TIMING (BTS=1 / MUX=0)**

Figure 22-8: RECEIVE SIDE AC TIMING



## Notes:

1. Shown is RLINK/RLCLK in the ESF framing mode.
2. No relationship between RCHCLK and RCHBLK and the other signals is implied.

Figure 22-9: RECEIVE LINE INTERFACE AC TIMING

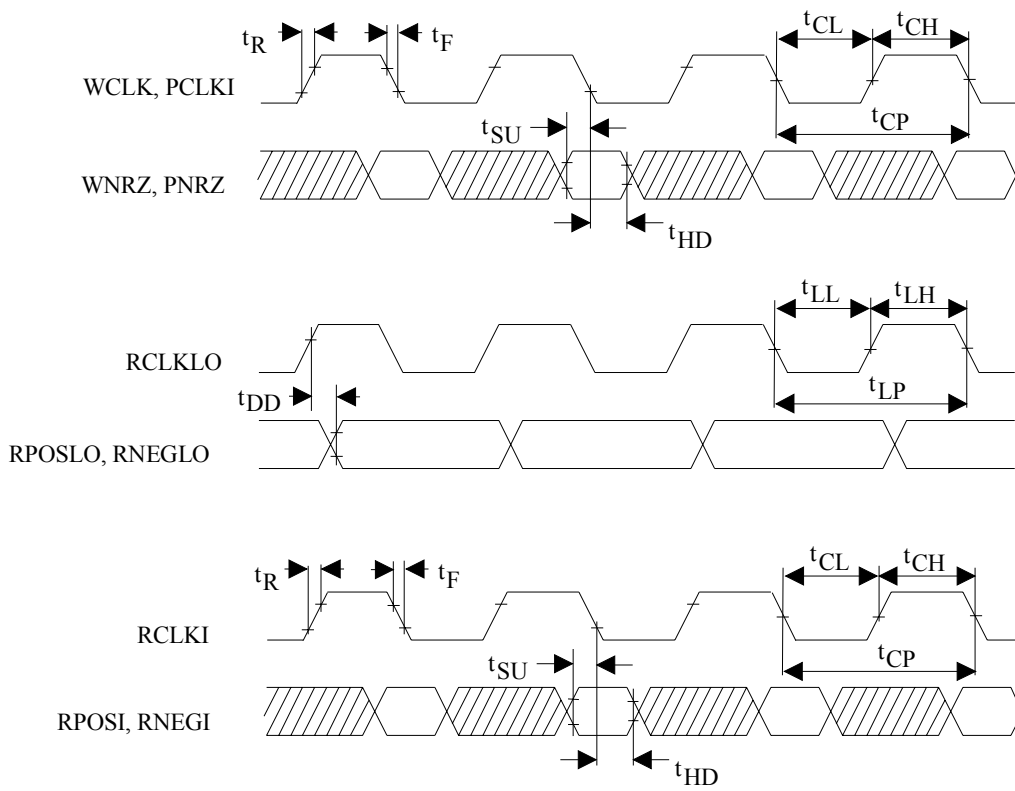
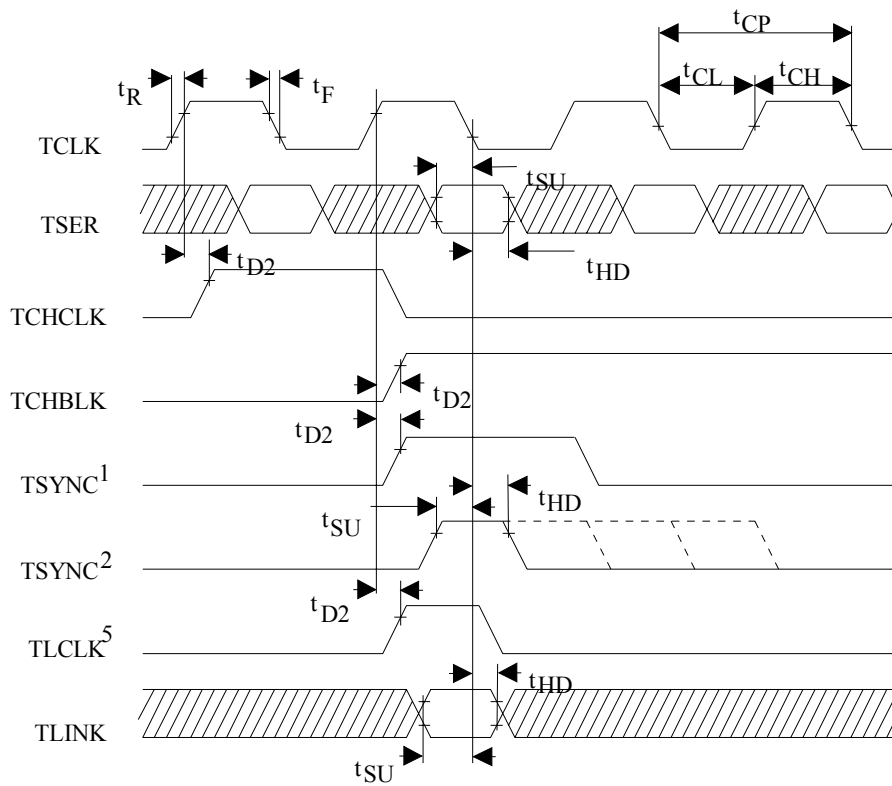


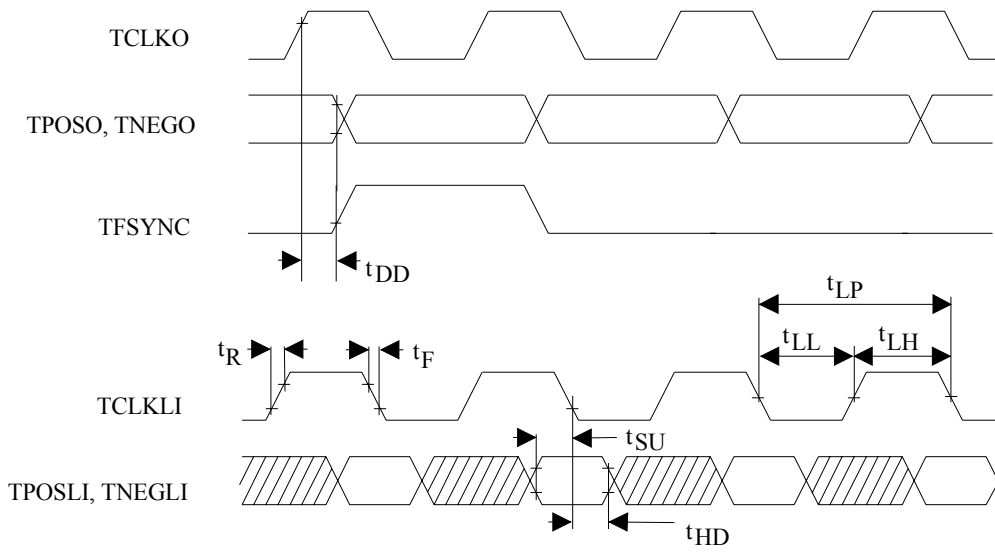
Figure 22-10: TRANSMIT SIDE AC TIMING



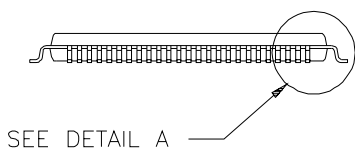
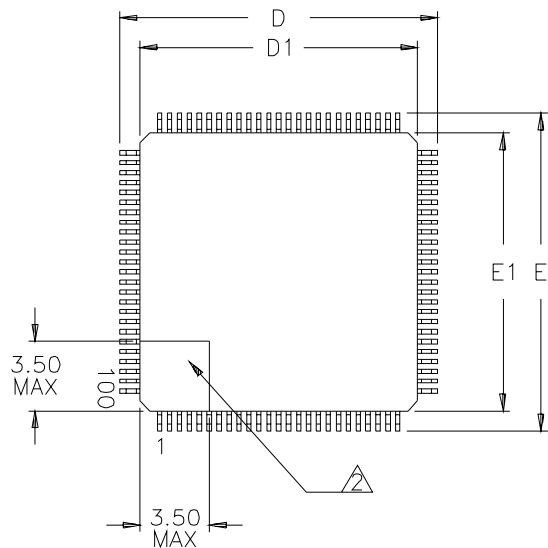
## Notes:

1. TSYNC is in the output mode (TCR2.2 = 1).
2. TSYNC is in the input mode (TCR2.2 = 0).
3. TSER is sampled on the falling edge of TCLK when the transmit side elastic store is disabled.
4. TCHCLK and TCHBLK are synchronous with TCLK when the transmit side elastic store is disabled.
5. TLINK is only sampled during F-bit locations.
6. No relationship between TCHCLK and TCHBLK and the other signals is implied.

Figure 22-11: TRANSMIT LINE INTERFACE SIDE AC TIMING



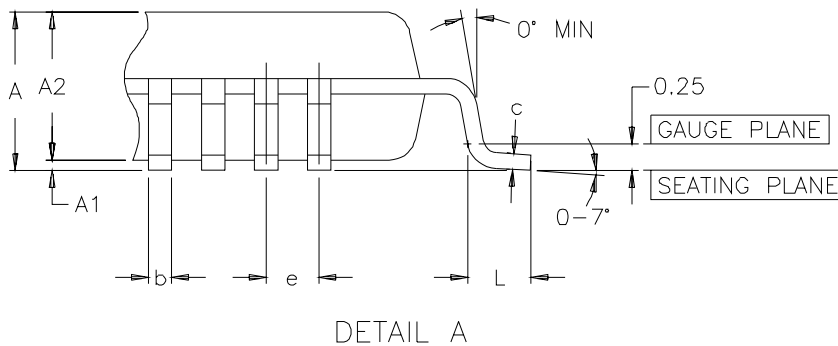
### 23. 100-PIN LQFP PACKAGE SPECIFICATIONS



NOTES:

1. DIMENSIONS D1 AND E1 INCLUDE MOLD MISMATCH, BUT DO NOT INCLUDE MOLD PROTRUSION; ALLOWABLE PROTRUSION IS 0.25 MM PER SIDE.
- △ DETAILS OF PIN 1 IDENTIFIER ARE OPTIONAL BUT MUST BE LOCATED WITHIN THE ZONE INDICATED.
3. ALLOWABLE DAMBAR PROTRUSION IS 0.08 MM TOTAL IN EXCESS OF THE b DIMENSION; PROTRUSION NOT TO BE LOCATED ON LOWER RADIUS OR FOOT OF LEAD.
4. ALL DIMENSIONS ARE IN MILLIMETERS.

DIM	MIN	MAX
A	—	1.60
A1	0.05	—
A2	1.35	1.45
b	0.17	0.27
c	0.09	0.20
D	15.80	16.20
D1	14.00	BSC
E	15.80	16.20
E1	14.00	BSC
e	0.50	BSC
L	0.45	0.75



This datasheet has been downloaded from:

[www.DatasheetCatalog.com](http://www.DatasheetCatalog.com)

Datasheets for electronic components.



LittleDiode supplies new, hard to find or obsolete electronic components and semiconductors all over the world.

With over two million different components listed you are sure to find the part you need.

Feel free to visit us today at our online store:

**[LittleDiode.com](http://LittleDiode.com)**

Looking forward to providing you with the best possible service.