

# DS3658

## Quad High Current Peripheral Driver

### General Description

The DS3658 quad peripheral driver is designed for those applications where low operating power, high breakdown voltage, high output current and low output ON voltage are required. A unique input circuit combines TTL compatibility with high impedance. In fact, its extreme low input current allows it to be driven directly by a CMOS device.

The outputs are capable of sinking 600 mA each and offer a 70V breakdown. However, for inductive loads the output should be clamped to 35V or less to avoid latch-up during turn off (inductive fly back protection—refer AN-213). An on-chip clamp diode capable of handling 800 mA is provided at each output for this purpose. In addition, the DS3658 incorporates circuitry that guarantees glitch-free power up or down operation and a fail-safe feature which puts the output in a high impedance state when the input is open.

The molded package is specifically constructed to allow increased power dissipation over conventional packages. The four ground pins are directly connected to the device chip with a special cooper lead frame. When the quad driver is soldered into a PC board, the power rating of the device improves significantly.

### Applications

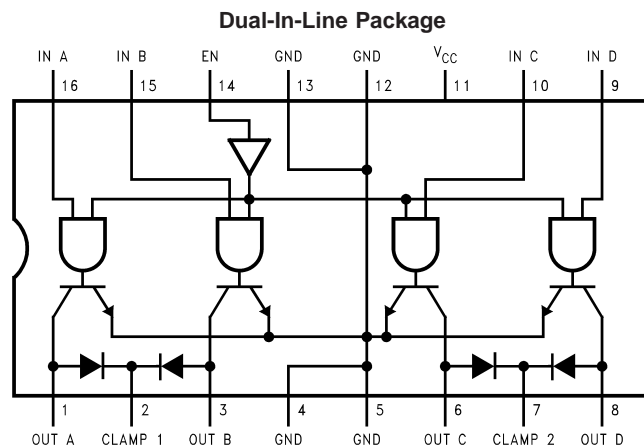
- Relay drivers
- Lamp drivers
- Solenoid drivers
- Hammer drivers
- Stepping motor drivers

- Triac drivers
- LED drivers
- High current, high voltage drivers
- Level translators
- Fiber optic LED drivers

### Features

- Single saturated transistor outputs
- Low standby power, 10 mW typical
- High impedance TTL compatible inputs
- Outputs may be tied together for increased current capacity
- High output current
  - 600 mA per output
  - 2.4A per package
- No output latch-up at 35V
- Low output ON voltage (350 mV typ @ 600 mA)
- High breakdown voltage (70V)
- Open collector outputs
- Output clamp diodes for inductive fly back protection
- NPN inputs for minimal input currents (1  $\mu$ A typical)
- Low operating power
- Standard 5V power supply
- Power up/down protection
- Fail safe operation
- 2W power package
- Pin-for-pin compatible with SN75437

### Connection Diagram



**Top View**  
**Order Number DS3658N**  
**See NS Package Number N16E**

**Absolute Maximum Ratings** (Note 1)

If Military/Aerospace specified devices are required, please contact the National Semiconductor Sales Office/Distributors for availability and specifications.

|  |         |
|--|---------|
| Supply Voltage   | 7V      |
| Input Voltage  | 15V     |
| Output Voltage   | 70V     |
| Output Current   | 1.5A    |
| Continuous Power Dissipation<br>@ 25°C Free-Air (Note 5) | 2075 mW |

|   |                 |
|---|-----------------|
| Storage Temperature Range               | -65°C to +150°C |
| Lead Temperature<br>(Soldering, 4 sec.) | 260°C           |

**Operating Conditions**

|                     | Min  | Max  | Units |
|---------------------|------|------|-------|
| Supply Voltage      | 4.75 | 5.25 | V     |
| Ambient Temperature | 0    | 70   | °C    |

**Electrical Characteristics** (Notes 2, 3)

| Symbol    | Parameter              | Conditions                          | Min | Typ  | Max      | Units   |
|-----------|------------------------|-------------------------------------|-----|------|----------|---------|
| $V_{IH}$  | Input High Voltage     |                                     | 2.0 |      |          | V       |
| $V_{IL}$  | Input Low Voltage      |                                     |     |      | 0.8      | V       |
| $I_{IH}$  | Input High Current     | $V_{IN} = 5.25V$ , $V_{CC} = 5.25V$ |     | 1.0  | 1.0      | $\mu A$ |
| $I_{IL}$  | Input Low Current      | $V_{IN} = 0.4V$                     |     |      | $\pm 10$ | $\mu A$ |
| $V_{IK}$  | Input Clamp Voltage    | $I_I = -12$ mA                      |     | -0.8 | -1.5     | V       |
| $V_{OL}$  | Output Low Voltage     | $I_L = 300$ mA                      |     | 0.2  | 0.4      | V       |
|           |                        | $I_L = 600$ mA (Note 4)             |     | 0.35 | 0.7      | V       |
| $I_{CEX}$ | Output Leakage Current | $V_{CE} = 70V$ , $V_{IN} = 0.8V$    |     |      | 100      | $\mu A$ |
| $V_F$     | Diode Forward Voltage  | $I_F = 800$ mA                      |     | 1.0  | 1.6      | V       |
| $I_R$     | Diode Leakage Current  | $V_R = 70V$                         |     |      | 100      | $\mu A$ |
| $I_{CC}$  | Supply Current         | All Inputs High                     |     | 60   | 85       | mA      |
|           |                        | All Inputs Low                      |     | 2    | 4        | mA      |

**Switching Characteristics** (Note 2)

| Symbol    | Parameter      | Conditions                     | Min | Typ  | Max  | Units |
|-----------|----------------|--------------------------------|-----|------|------|-------|
| $t_{PHL}$ | Turn On Delay  | $R_L = 60\Omega$ , $V_L = 30V$ |     | 226  | 500  | ns    |
| $t_{PLH}$ | Turn Off Delay | $R_L = 60\Omega$ , $V_L = 30V$ |     | 2430 | 8000 | ns    |

**Note 1:** "Absolute Maximum Ratings" are those values beyond which the safety of the device cannot be guaranteed. They are not meant to imply that the device should be operated at these limits. The table of "Electrical Characteristics" provides conditions for actual device operation.

**Note 2:** Unless otherwise specified, min/max limits apply across the 0°C to +70°C temperature range and the 4.75V to 5.25V power supply range. All typical values are for  $T_A = 25^\circ C$  and  $V_{CC} = 5.0V$ .

**Note 3:** All currents into device pins are shown as positive, all currents out of device pins are shown as negative, all voltages are referenced to ground, unless otherwise specified. All values shown as max or min are so classified on absolute value basis.

**Note 4:** All sections of this quad circuit may conduct rated current simultaneously, however, power dissipation averaged over a short interval of time must fall within specified continuous dissipation ratings.

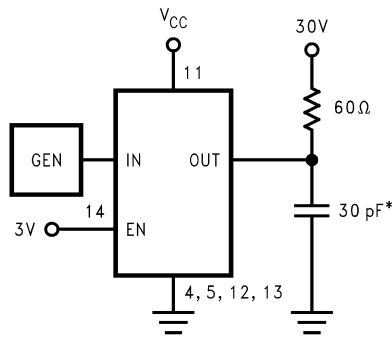
**Note 5:** For operation over 25° free-air temperature, derate linearly to 1328 mW @ 70°C @ the rate of 16.6 mW/°C.

**Truth Table**

| IN | EN | OUT |
|----|----|-----|
| H  | H  | L   |
| L  | H  | Z   |
| H  | L  | Z   |
| L  | L  | Z   |

H = High state  
L = Low state  
Z = High impedance state

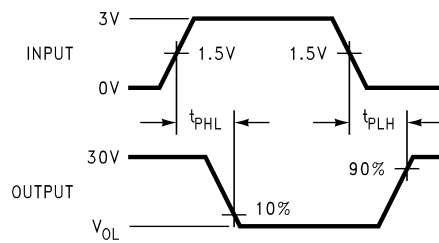
## AC Test Circuit



\*Includes probe and jig capacitance.

00581902

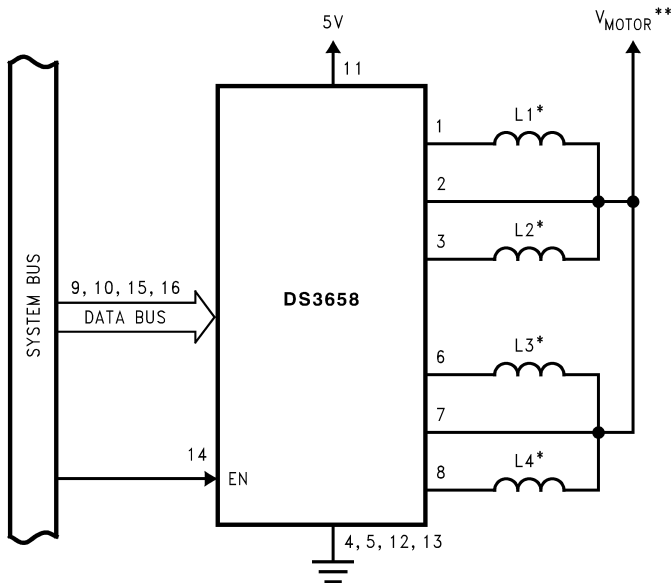
## Switching Waveforms



00581903

## Typical Applications

### Stepping Motor Driver

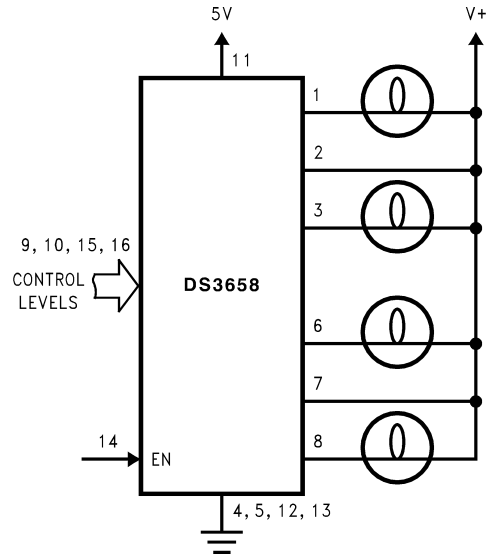


\*L1, L2, L3, L4 are the windings of a bifilar stepping motor.

\*\* $V_{MOTOR}$  is the supply voltage of the motor.

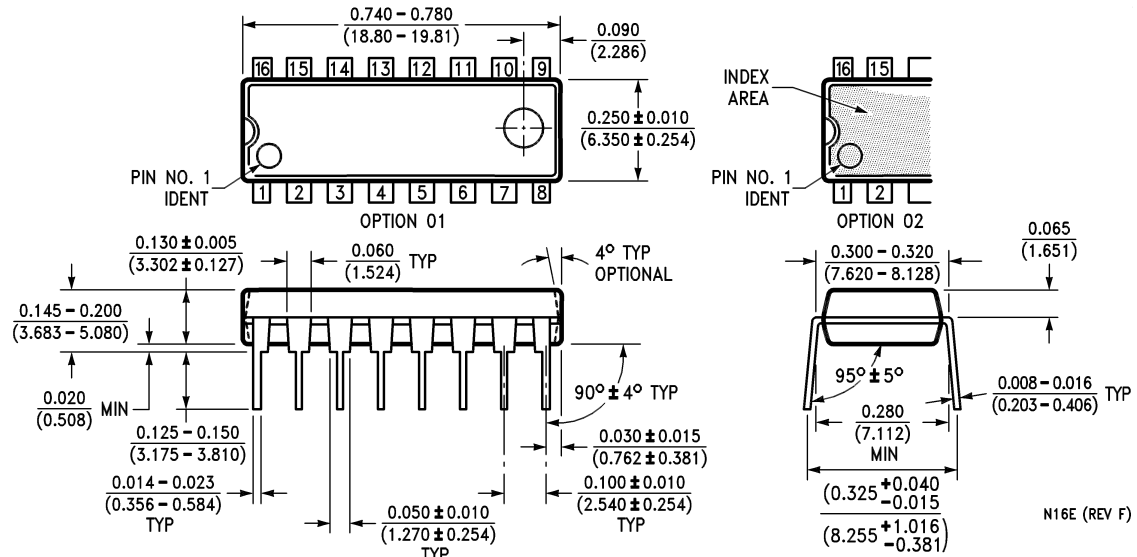
00581904

### Lamp Driver



00581905

**Physical Dimensions** inches (millimeters) unless otherwise noted




**Molded Dual-In-Line Package (N)**  
**Order Number DS3658N**  
**NS Package Number N16E**

**LIFE SUPPORT POLICY**

NATIONAL'S PRODUCTS ARE NOT AUTHORIZED FOR USE AS CRITICAL COMPONENTS IN LIFE SUPPORT DEVICES OR SYSTEMS WITHOUT THE EXPRESS WRITTEN APPROVAL OF THE PRESIDENT AND GENERAL COUNSEL OF NATIONAL SEMICONDUCTOR CORPORATION. As used herein:

1. Life support devices or systems are devices or systems which, (a) are intended for surgical implant into the body, or (b) support or sustain life, and whose failure to perform when properly used in accordance with instructions for use provided in the labeling, can be reasonably expected to result in a significant injury to the user.
2. A critical component is any component of a life support device or system whose failure to perform can be reasonably expected to cause the failure of the life support device or system, or to affect its safety or effectiveness.

 **National Semiconductor Corporation**  
Americas  
Email: support@nsc.com

www.national.com

**National Semiconductor Europe**  
Fax: +49 (0) 180-530 85 86  
Email: europe.support@nsc.com  
Deutsch Tel: +49 (0) 69 9508 6208  
English Tel: +44 (0) 870 24 0 2171  
Français Tel: +33 (0) 1 41 91 8790

**National Semiconductor Asia Pacific Customer Response Group**  
Tel: 65-2544466  
Fax: 65-2504466  
Email: ap.support@nsc.com

**National Semiconductor Japan Ltd.**  
Tel: 81-3-5639-7560  
Fax: 81-3-5639-7507

# National Semiconductor was acquired by Texas Instruments.

[http://www.ti.com/corp/docs/investor\\_relations/pr\\_09\\_23\\_2011\\_national\\_semiconductor.html](http://www.ti.com/corp/docs/investor_relations/pr_09_23_2011_national_semiconductor.html)

This file is the datasheet for the following electronic components:

DS3658N - <http://www.ti.com/product/ds3658n?HQS=TI-null-null-dscatalog-df-pf-null-ww>



LittleDiode supplies new, hard to find or obsolete electronic components and semiconductors all over the world.

With over two million different components listed you are sure to find the part you need.

Feel free to visit us today at our online store:

[LittleDiode.com](http://LittleDiode.com)

Looking forward to providing you with the best possible service.